



US00D828350S

(12) **United States Design Patent** (10) **Patent No.:** **US D828,350 S**  
**Akana et al.** (45) **Date of Patent:** **\*\* Sep. 11, 2018**

(54) **ELECTRONIC DEVICE**

(71) Applicant: **Apple Inc.**, Cupertino, CA (US)  
(72) Inventors: **Jody Akana**, San Francisco, CA (US); **Bartley K. Andre**, Palo Alto, CA (US); **Jeremy Bataillou**, San Francisco, CA (US); **Daniel J. Coster**, San Francisco, CA (US); **Daniele De Iuliis**, San Francisco, CA (US); **M. Evans Hankey**, San Francisco, CA (US); **Richard P. Howarth**, San Francisco, CA (US); **Jonathan P. Ive**, San Francisco, CA (US); **Steven P. Jobs**, Palo Alto, CA (US); **Duncan Robert Kerr**, San Francisco, CA (US); **Shin Nishibori**, Kailua, HI (US); **Matthew Dean Rohrbach**, San Francisco, CA (US); **Peter Russell-Clarke**, San Francisco, CA (US); **Christopher J. Stringer**, Woodside, CA (US); **Eugene Antony Whang**, San Francisco, CA (US); **Rico Zörkendörfer**, San Francisco, CA (US)

(73) Assignee: **Apple Inc.**, Cupertino, CA (US)

(\*\*) Term: **15 Years**

(21) Appl. No.: **29/572,747**

(22) Filed: **Jul. 29, 2016**

**Related U.S. Application Data**

(60) Continuation of application No. 29/498,328, filed on Aug. 1, 2014, now Pat. No. Des. 763,253, which is a continuation of application No. 29/432,436, filed on Sep. 14, 2012, now Pat. No. Des. 710,843, which is a continuation of application No. 29/379,707, filed on Nov. 23, 2010, now Pat. No. Des. 672,343, which is a continuation of application No. 29/360,036, filed on Apr. 19, 2010, now Pat. No. Des. 627,778, and a division of application No. 29/363,172, filed on Jun. 5, 2010, now Pat. No. Des. 633,493, which is a continuation of application No. 29/360,110, filed on Apr. 20, 2010, now Pat. No. Des. 633,908.

(51) **LOC (11) Cl.** ..... **14-02**

(52) **U.S. Cl.**

USPC ..... **D14/341**

(58) **Field of Classification Search**

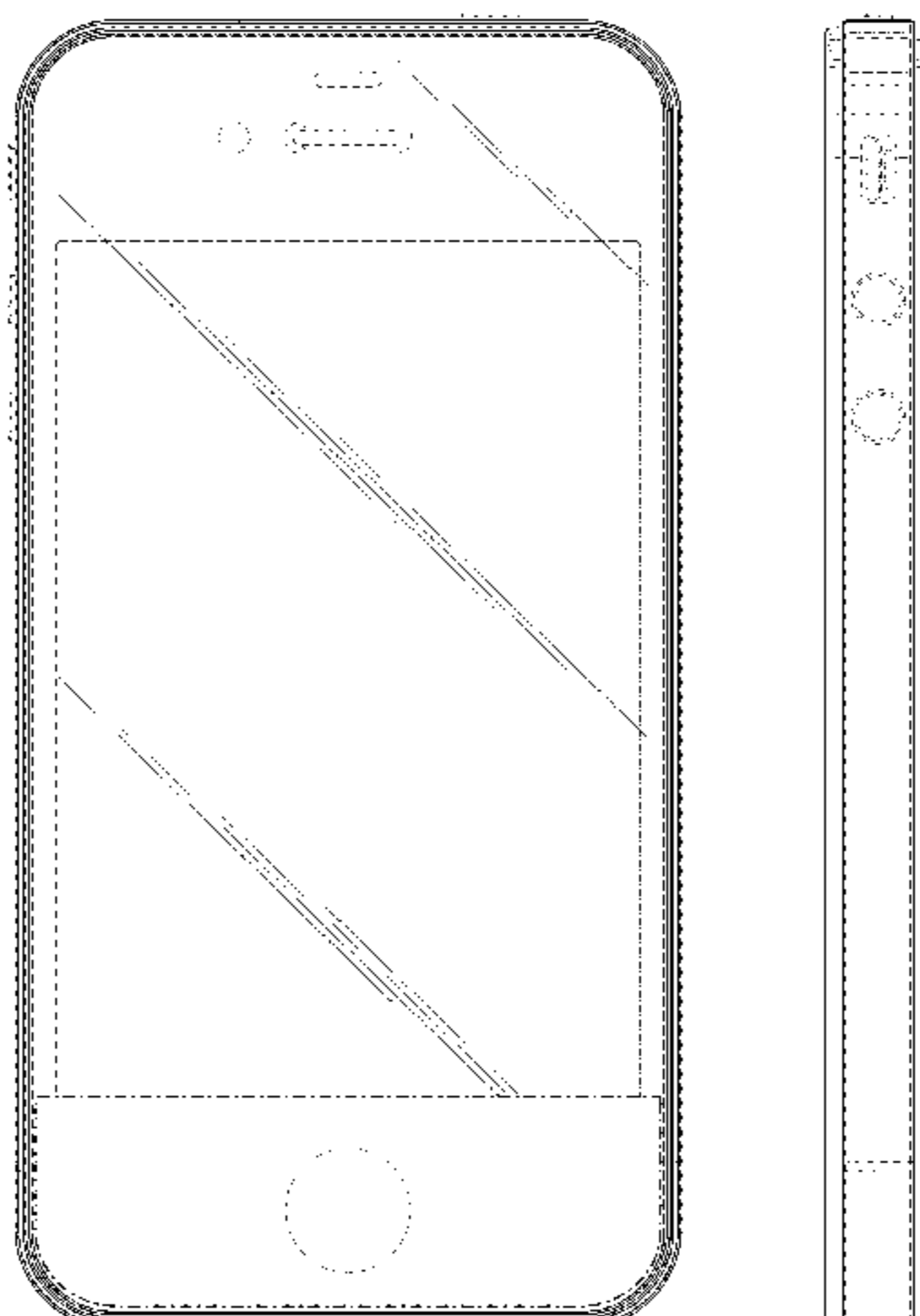
USPC ..... D14/341-347, 315-318, 420, 426, D14/129-130, 496, 138 G, 138 R, D14/138 AA, 248, 250, 203.7, 388-389; D10/104.4, 50, 65, 74; D21/324, 329  
CPC ..... G06F 1/1626; G06F 1/1613; G06F 2200/1633; G06F 3/0488; G06F 3/04886; G06F 3/044; G06F 3/0412; G06F 3/0416; H04B 1/3833

See application file for complete search history.

(56) **References Cited**

**U.S. PATENT DOCUMENTS**

|            |         |                  |
|------------|---------|------------------|
| D262,151 S | 12/1981 | Sussman          |
| D270,061 S | 8/1983  | Ackeret          |
| D289,873 S | 5/1987  | Gemmell et al.   |
| D300,831 S | 4/1989  | Jenkins et al.   |
| D302,336 S | 7/1989  | Erickson         |
| D306,583 S | 3/1990  | Krolopp et al.   |
| D321,215 S | 10/1991 | Shamis           |
| D321,855 S | 11/1991 | Ross, Jr.        |
| D332,328 S | 1/1993  | Lombardi         |
| D333,574 S | 3/1993  | Ackeret          |
| D337,569 S | 7/1993  | Kando            |
| D340,917 S | 11/1993 | Sakaguchi et al. |
| D345,346 S | 3/1994  | Alfonso et al.   |
| D346,589 S | 5/1994  | Andros           |
| D361,552 S | 8/1995  | Iino             |
| D362,252 S | 9/1995  | Ansell et al.    |
| D377,169 S | 1/1997  | Chida            |
| D396,452 S | 7/1998  | Naruki           |
| D408,372 S | 4/1999  | Ota et al.       |
| D410,440 S | 6/1999  | Carnell          |
| D411,536 S | 6/1999  | Page et al.      |
| D424,245 S | 5/2000  | Stoecker         |
| D441,735 S | 5/2001  | Katayama         |
| D444,465 S | 7/2001  | Do               |
| D448,764 S | 10/2001 | Marsalka et al.  |
| D455,433 S | 4/2002  | Alviar et al.    |
| D461,715 S | 8/2002  | Yokota           |
| D461,802 S | 8/2002  | Tu               |
| D467,890 S | 12/2002 | Lai et al.       |
| D469,413 S | 1/2003  | To et al.        |
| D483,037 S | 12/2003 | Whitehorn et al. |
| D484,471 S | 12/2003 | Lin et al.       |
| D485,265 S | 1/2004  | Sato et al.      |
| D488,468 S | 4/2004  | Hu               |



# US D828,350 S

|              |         |                    |                |         |                                 |
|--------------|---------|--------------------|----------------|---------|---------------------------------|
| D488,469 S   | 4/2004  | Batsikas           | D602,486 S     | 10/2009 | Andre et al.                    |
| D490,420 S   | 5/2004  | Solomon et al.     | D602,488 S     | 10/2009 | Jiang et al.                    |
| D491,155 S   | 6/2004  | Kawakami et al.    | D603,821 S     | 11/2009 | Hansen                          |
| D492,684 S   | 7/2004  | Moeslinger et al.  | D603,834 S     | 11/2009 | Lyman et al.                    |
| D497,364 S   | 10/2004 | Ozolins et al.     | D604,293 S     | 11/2009 | Andre et al.                    |
| D499,718 S   | 12/2004 | Chen               | D604,297 S     | 11/2009 | Andre et al.                    |
| D500,037 S   | 12/2004 | Ozolins et al.     | D604,716 S     | 11/2009 | Oh et al.                       |
| D502,173 S   | 2/2005  | Jung et al.        | D604,729 S     | 11/2009 | Andre et al.                    |
| D504,889 S   | 5/2005  | Andre et al.       | D605,157 S     | 12/2009 | Kim et al.                      |
| D506,937 S   | 7/2005  | Lee et al.         | D606,129 S     | 12/2009 | Ben-Moshe                       |
| D507,003 S   | 7/2005  | Pai et al.         | D606,988 S     | 12/2009 | Andre et al.                    |
| D509,833 S   | 9/2005  | Yang               | D606,989 S     | 12/2009 | Andre et al.                    |
| D511,342 S   | 11/2005 | Chien              | D609,233 S     | 2/2010  | Wood et al.                     |
| D511,347 S   | 11/2005 | Naruki             | D609,705 S     | 2/2010  | Andre et al.                    |
| D513,617 S   | 1/2006  | Tierney            | 7,660,560 B2   | 2/2010  | Zuo et al.                      |
| D515,541 S   | 2/2006  | Jensfelt           | D611,048 S     | 3/2010  | Wood et al.                     |
| D524,809 S   | 7/2006  | Alcouloumre et al. | D611,974 S     | 3/2010  | Kwon et al.                     |
| D525,986 S   | 8/2006  | Kim                | D613,283 S     | 4/2010  | Andre et al.                    |
| D527,015 S   | 8/2006  | Yang               | D613,722 S     | 4/2010  | Kaneta                          |
| D528,561 S   | 9/2006  | Ka-Wei et al.      | D613,735 S     | 4/2010  | Andre et al.                    |
| D529,045 S   | 9/2006  | Shin               | D613,736 S     | 4/2010  | Andre et al.                    |
| D534,516 S   | 1/2007  | Lheem              | D613,762 S *   | 4/2010  | Jones ..... D14/203.3           |
| D534,890 S   | 1/2007  | Kim                | D614,668 S *   | 4/2010  | Jones ..... D14/203.7           |
| D535,281 S   | 1/2007  | Yang               | D615,083 S     | 5/2010  | Andre et al.                    |
| D536,329 S   | 2/2007  | Lee                | D620,488 S     | 7/2010  | Andre et al.                    |
| D542,781 S   | 5/2007  | Chen et al.        | D621,397 S     | 8/2010  | Andre et al.                    |
| D551,659 S   | 9/2007  | Shih et al.        | D622,720 S     | 8/2010  | Andre et al.                    |
| D557,239 S   | 12/2007 | Lee                | D624,519 S     | 9/2010  | Shen et al.                     |
| D557,259 S   | 12/2007 | Hirsch             | D625,307 S     | 10/2010 | Cheng                           |
| D558,460 S   | 1/2008  | Yu et al.          | D625,700 S     | 10/2010 | Sandberg et al.                 |
| D558,716 S   | 1/2008  | Bae et al.         | D626,437 S     | 11/2010 | Lee et al.                      |
| D558,726 S   | 1/2008  | Wang et al.        | D627,778 S     | 11/2010 | Akana et al.                    |
| D558,756 S   | 1/2008  | Andre et al.       | D630,630 S     | 1/2011  | Andre et al.                    |
| D558,792 S   | 1/2008  | Chigira            | 7,876,274 B2   | 1/2011  | Hobson et al.                   |
| D560,227 S   | 1/2008  | Bennett et al.     | D633,493 S     | 3/2011  | Akana et al.                    |
| D560,231 S   | 1/2008  | Lee                | D633,908 S     | 3/2011  | Akana et al.                    |
| D560,683 S   | 1/2008  | Lee                | D633,910 S     | 3/2011  | Cacioppo et al.                 |
| D561,782 S   | 2/2008  | Kim                | D636,392 S     | 4/2011  | Akana et al.                    |
| D562,285 S   | 2/2008  | Lim                | D636,769 S     | 4/2011  | Wood et al.                     |
| D563,432 S   | 3/2008  | Kim                | D638,030 S     | 5/2011  | Akana et al.                    |
| D567,819 S   | 4/2008  | Devericks et al.   | D638,814 S     | 5/2011  | Sutherland et al.               |
| D568,285 S   | 5/2008  | Lee et al.         | D638,835 S     | 5/2011  | Akana et al.                    |
| D569,629 S   | 5/2008  | Yu et al.          | D640,658 S     | 6/2011  | Knoppert et al.                 |
| D569,837 S   | 5/2008  | Baik et al.        | D641,387 S     | 7/2011  | Lee                             |
| D570,346 S   | 6/2008  | Suk et al.         | D644,995 S     | 9/2011  | Amidon                          |
| D570,839 S   | 6/2008  | Hofer et al.       | D647,519 S     | 10/2011 | Rothbaum et al.                 |
| D572,694 S   | 7/2008  | Park               | 8,106,836 B2   | 1/2012  | Hill et al.                     |
| D573,143 S   | 7/2008  | Park et al.        | D656,955 S     | 4/2012  | Akana et al.                    |
| D577,371 S   | 9/2008  | Hu et al.          | D662,922 S     | 7/2012  | Akana et al.                    |
| 7,426,406 B2 | 9/2008  | Maatta et al.      | 8,213,168 B2   | 7/2012  | McClure et al.                  |
| D579,898 S   | 11/2008 | Lee et al.         | D669,915 S     | 10/2012 | Akana et al.                    |
| D579,902 S   | 11/2008 | Kim et al.         | D671,101 S     | 11/2012 | Rothbaum et al.                 |
| D579,905 S   | 11/2008 | Kim et al.         | D671,105 S     | 11/2012 | Rothbaum et al.                 |
| D580,387 S   | 11/2008 | Andre et al.       | D671,107 S     | 11/2012 | Rothbaum et al.                 |
| D581,384 S   | 11/2008 | Kim et al.         | D671,108 S     | 11/2012 | Rothbaum et al.                 |
| D581,922 S   | 12/2008 | Andre et al.       | D671,930 S     | 12/2012 | Akana et al.                    |
| D583,346 S   | 12/2008 | Jung et al.        | D671,937 S     | 12/2012 | Akana et al.                    |
| D583,796 S   | 12/2008 | Tanaka             | D672,343 S     | 12/2012 | Akana et al.                    |
| D584,272 S   | 1/2009  | Chung et al.       | D676,033 S     | 2/2013  | Rothbaum et al.                 |
| D584,738 S   | 1/2009  | Kim et al.         | D676,837 S     | 2/2013  | Rothbaum et al.                 |
| D585,898 S   | 2/2009  | Skurdal            | D677,657 S     | 3/2013  | Akana et al.                    |
| D587,267 S   | 2/2009  | Wang               | D678,336 S     | 3/2013  | Akana et al.                    |
| D589,021 S   | 3/2009  | Millora            | 8,430,240 B2 * | 4/2013  | Kim ..... A45C 11/00<br>206/320 |
| D591,252 S   | 4/2009  | Kim et al.         | D684,571 S     | 6/2013  | Akana et al.                    |
| D591,739 S   | 5/2009  | Matsuoka           | 8,477,931 B2   | 7/2013  | Thompson et al.                 |
| D594,840 S   | 6/2009  | Kim et al.         | D688,661 S     | 8/2013  | Ho et al.                       |
| D597,067 S   | 7/2009  | Oh et al.          | D689,480 S     | 9/2013  | Akana et al.                    |
| D598,014 S   | 8/2009  | Marsh et al.       | D690,693 S     | 10/2013 | Akana et al.                    |
| D598,414 S   | 8/2009  | Joung et al.       | D691,133 S     | 10/2013 | Akana et al.                    |
| D598,887 S   | 8/2009  | Xiao et al.        | D692,878 S     | 11/2013 | Akana et al.                    |
| D599,342 S   | 9/2009  | Andre et al.       | D706,776 S     | 6/2014  | Akana et al.                    |
| D600,241 S   | 9/2009  | Andre et al.       | D710,843 S     | 8/2014  | Akana et al.                    |
| D600,690 S   | 9/2009  | Miyaji             | D712,405 S     | 9/2014  | Akana et al.                    |
| D601,353 S   | 10/2009 | Sadler et al.      | D720,687 S *   | 1/2015  | Hasbrook ..... D13/103          |
| D601,530 S   | 10/2009 | Park et al.        | D722,596 S     | 2/2015  | Vanduyt et al.                  |
| D601,583 S   | 10/2009 | Andre et al.       | 9,094,100 B2 * | 7/2015  | Monti ..... H04M 11/04          |
| D601,988 S   | 10/2009 | Bang et al.        | D740,250 S     | 10/2015 | Emami                           |
| D602,014 S   | 10/2009 | Andre et al.       | D750,729 S *   | 3/2016  | Sheikh ..... D22/117            |

|              |    |   |         |                  |            |    |                  |         |
|--------------|----|---|---------|------------------|------------|----|------------------|---------|
| D771,623     | S  | * | 11/2016 | Akana .....      | D14/341    | KR | 30-0304213       | 8/2002  |
| D782,435     | S  | * | 3/2017  | Yuan .....       | D14/138 AA | KR | 30-0327126       | 6/2003  |
| D801,269     | S  | * | 10/2017 | Cho .....        | D13/119    | KR | 30-0360712       | 9/2004  |
| D806,015     | S  | * | 12/2017 | Park .....       | D13/103    | KR | 30-0364845       | 10/2004 |
| D809,507     | S  | * | 2/2018  | Akana .....      | D14/341    | KR | 30-0367347       | 11/2004 |
| 2003/0125079 | A1 |   | 7/2003  | Park et al.      |            | KR | 30-0387059-3     | 7/2005  |
| 2003/0125959 | A1 |   | 7/2003  | Palmquist        |            | KR | 30-0387130       | 7/2005  |
| 2003/0206202 | A1 |   | 11/2003 | Moriya           |            | KR | 30-0396917       | 11/2005 |
| 2005/0009556 | A1 |   | 1/2005  | Hickey et al.    |            | KR | 30-0398307       | 11/2005 |
| 2005/0059438 | A1 |   | 3/2005  | Jellicoe         |            | KR | 30-0394921-1     | 12/2005 |
| 2005/0068756 | A1 |   | 3/2005  | Tsuji et al.     |            | KR | 30-0418422-1     | 7/2006  |
| 2006/0094464 | A1 |   | 5/2006  | Kyou et al.      |            | KR | 30-0418547       | 7/2006  |
| 2006/0281501 | A1 |   | 12/2006 | Zuo et al.       |            | KR | 30-0420200       | 7/2006  |
| 2009/0247244 | A1 |   | 10/2009 | Mittleman et al. |            | KR | 30-0422221       | 8/2006  |
| 2009/0315690 | A1 |   | 12/2009 | Hwang et al.     |            | KR | 30-0424148       | 9/2006  |
| 2010/0060563 | A1 |   | 3/2010  | Hayton et al.    |            | KR | 30-0441230       | 2/2007  |
| 2010/0105452 | A1 |   | 4/2010  | Shin et al.      |            | KR | 30-0441230-1     | 2/2007  |
| 2011/0164370 | A1 |   | 7/2011  | McClure et al.   |            | KR | 30-0454592       | 7/2007  |
| 2011/0253571 | A1 |   | 10/2011 | Rothbaum         |            | KR | 30-0441230-2     | 8/2007  |
| 2012/0261289 | A1 |   | 10/2012 | Wyner et al.     |            | KR | 30-0441230-3     | 8/2007  |
|              |    |   |         |                  |            | KR | 30-0452985-2     | 8/2007  |
|              |    |   |         |                  |            | KR | 30-0474260       | 12/2007 |
|              |    |   |         |                  |            | KR | 30-0529167       | 5/2009  |
|              |    |   |         |                  |            | KR | 30-0533504       | 7/2009  |
|              |    |   |         |                  |            | KR | 30-0546031       | 11/2009 |
|              |    |   |         |                  |            | KR | 30-0550428       | 1/2010  |
|              |    |   |         |                  |            | KR | 30-0553546       | 2/2010  |
|              |    |   |         |                  |            | SE | 55044            | 10/1993 |
|              |    |   |         |                  |            | TW | D106137          | 8/2005  |
|              |    |   |         |                  |            | TW | D123283          | 6/2008  |
|              |    |   |         |                  |            | TW | D126454          | 12/2008 |
|              |    |   |         |                  |            | TW | D126838          | 1/2009  |
|              |    |   |         |                  |            | TW | D126996          | 4/2009  |
|              |    |   |         |                  |            | TW | D126997          | 4/2009  |
|              |    |   |         |                  |            | TW | D129176          | 6/2009  |
|              |    |   |         |                  |            | TW | D131556          | 10/2009 |
|              |    |   |         |                  |            | TW | D132490          | 12/2009 |
|              |    |   |         |                  |            | TW | D139493          | 3/2011  |
|              |    |   |         |                  |            | WO | WO-0188679 A2    | 11/2001 |
|              |    |   |         |                  |            | WO | WO-2004023272 A2 | 3/2004  |

FOREIGN PATENT DOCUMENTS

|    |                |   |         |
|----|----------------|---|---------|
| CA | 72548          |   | 5/1993  |
| CA | 101263         | S | 1/2004  |
| EM | 00048061-0001  |   | 8/2003  |
| EM | 00046198-0001  |   | 11/2003 |
| EM | 000317490-0001 |   | 5/2005  |
| EM | 000257621-0004 |   | 7/2005  |
| EM | 000375191-0001 |   | 9/2005  |
| EM | 000493721-0002 |   | 5/2006  |
| EM | 000569157-0005 |   | 9/2006  |
| EM | 000569157-0007 |   | 9/2006  |
| EM | 000590831-0001 |   | 10/2006 |
| EM | 000590831-0003 |   | 10/2006 |
| EM | 000614565-0001 |   | 12/2006 |
| EM | 000632070-0007 |   | 1/2007  |
| EM | 000718770-0007 |   | 6/2007  |
| EM | 000748256-0003 |   | 8/2007  |
| EM | 000748280-0001 |   | 8/2007  |
| EM | 000748280-0004 |   | 8/2007  |
| EM | 000748280-0006 |   | 8/2007  |
| EM | 000748322-0001 |   | 8/2007  |
| EM | 000767959-0001 |   | 8/2007  |
| EM | 000784780-0001 |   | 10/2007 |
| EM | 000874466-0012 |   | 3/2008  |
| EM | 000910591-0001 |   | 4/2008  |
| EM | 000888920-0001 |   | 5/2008  |
| EM | 000888920-0018 |   | 5/2008  |
| EM | 000938071-0001 |   | 6/2008  |
| EM | 000939731-0001 |   | 6/2008  |
| EM | 000977822-0006 |   | 8/2008  |
| EM | 001016802-0001 |   | 1/2009  |
| EM | 001098149-0001 |   | 4/2009  |
| EM | 001098149-0007 |   | 4/2009  |
| EM | 001183461-0002 |   | 1/2010  |
| EM | 001668781-0001 |   | 2/2010  |
| EM | 001694712-0001 |   | 4/2010  |
| ES | D0505712-0001  |   | 4/2008  |
| FI | 4897           |   | 7/1980  |
| FR | 990052-001     |   | 5/1999  |
| GB | 2062780        |   | 5/1981  |
| GB | 1042780        |   | 12/1986 |
| GB | 2030050        |   | 10/1992 |
| GB | 2033245        |   | 8/1993  |
| JP | 000921403      |   | 3/1995  |
| JP | 001009317      |   | 5/1998  |
| JP | D1104685       |   | 3/2001  |
| JP | D1124750       |   | 10/2001 |
| JP | D1142127       |   | 5/2002  |
| JP | D1159881       |   | 12/2002 |
| JP | D1178470       |   | 7/2003  |
| JP | D1188041       |   | 10/2003 |
| JP | D1204221       |   | 5/2004  |
| JP | D1235888       |   | 4/2005  |
| JP | D1241383       |   | 6/2005  |
| JP | D1241638       |   | 6/2005  |
| JP | D1250487       |   | 9/2005  |
| JP | 001280315      |   | 9/2006  |

OTHER PUBLICATIONS

Amazon, "Developing Tablet PC Applications—(Charles River Media Programming)," (<http://www.amazon.co.uk/Developing-Tablet-Applications-Charles-Programming/dp/1584502525>), retrieved Jul. 20, 2011, 4 pages.

Amazon, "Sharp Zaurus SI-6000L Handheld," (<http://www.amazon.com/Sharp-SL-6000L-Zaurus-Handheld/dp/B0001W17H2>), product available Mar. 12, 2004, 5 pages.

Apple.com, "Apple-iPhone-Gallery," (<http://web.archive.org/web/20070705201012/http://www.apple.com/iphone/gallery/index8.html>), dated Jul. 5, 2007, accessed Mar. 28, 2013, 1 page.

Association for Computing Machinery, The Open Video Project, "ACM CHI 1995—The Tablet Newspaper: A vision for the Future," (<http://www.open-video.org/details.php?videoid=8315&surrogate=storyboard>), 3 pages (1994).

Aumente, J., American Journalism Review, "Panel Vision," (<http://www.ajr.org/Article.asp?id=1257>), published Oct. 1994, 7 pages.

Blickenstorfer, C., PenComputing Magazine, "Tablet PCs: HP Compaq Tablet PC TC1000," ([http://pencomputing.com/frames/tpc\\_compaq.html](http://pencomputing.com/frames/tpc_compaq.html)), 3 pages (Dec. 2002).

Blickenstorfer, C., PenComputing Magazine, "Tablet PCs: Motion Computing M1200," ([http://pencomputing.com/frames/tpc\\_motion1200.html](http://pencomputing.com/frames/tpc_motion1200.html)), 3 pages (Dec. 2002).

Blickenstorfer, C., PenComputing Magazine, "Tablet PCs: ViewSonic V1100," ([http://pencomputing.com/frames/tpc\\_viewsonic.html](http://pencomputing.com/frames/tpc_viewsonic.html)), 3 pages (Dec. 2002).

Blogitech.co.uk, "Sharp WX-T825 (Softbank 825SH) arrives Taiwan," (<http://blogitechnews.blogspot.co.uk/2008/10/sharp-wx-t825-softbank-825sh-arrives.html>), published Oct. 3, 2008, 2 pages.

Chan, Meng, "LG BL40 New Chocolate," MassOrder Mobile Tech Blog, (<http://massordermobile.blogspot.co.uk/2009/11/lg-b140-new-chocolate.html>), published Nov. 17, 2009, 7 pages.

Chi-atheneum, "Good Design 2003, An International Industrial and Graphic Design Competition," (<http://www.chi-atheneum.org/gdesign/winners03.htm>), retrieved Sep. 23, 2011, 7 pages.

- COBY Communications Ltd., Consumer Electronics 2009 Fall, received by the JPO Industrial Property Library on Oct. 23, 2009; 1 page.
- Computing History, "GRidPad 1910," (<http://computinghistory.org.uk/det/6565/GRidPad-1910>), retrieved Sep. 12, 2011, 2 pages.
- DigiBarn Systems, "GRiDpad Pen Computer," (<http://www.digibarn.com/collections/systems/gridpad/index.html>), retrieved Sep. 23, 2011, 2 pages.
- Edible Apple, "The first Apple Tablet . . . from 1979," (<http://www.edibleapple.com/the-first-apple-tablet-from-1979/>), published Nov. 23, 2009, 8 pages.
- Electronista, "LG/Prada phone revealed?," (<http://www.electronista.com/articles/06/12/20/lg.prada.phone.revealed/>), updated Dec. 20, 2006, 9 pages.
- EngineerBoy, CleverDonkey.com, "2001:A Space Odyssey and the iPad (or is it tamPod?)," (<http://www.cleverdonkey.com/1499-2001a-space-odyssey-and-the-ipad-or-is-it-tampod/>), published Feb. 2, 2010, 5 pages.
- GSMarena.com, "LG KE850 Prada," ([http://www.gsmarena.com/lg\\_ke850\\_prada-1828.php](http://www.gsmarena.com/lg_ke850_prada-1828.php)), accessed Feb. 20, 2007, 4 pages.
- GSMarena.com, "Phillips S900," ([http://www.gsmarena.com/philips\\_s900-1598.php](http://www.gsmarena.com/philips_s900-1598.php)), accessed Feb. 20, 2007, 2 pages.
- Hagen, R., GadgetZone, "iHolic portable mediaspeler," (<http://www.gadgetzone.nl/nieuws.php?id=3191>), published Jan. 4, 2007, 3 pages.
- Hamamatsu Toa Electric Co. Ltd., Smartphone BM-170, received by the JPO Industrial Property Library on Mar. 26, 2010; 1 page.
- Har-Even, Benny, "iRiver U10 media player," The Register, ([http://www.theregister.co.uk/2006/01/19/review\\_iriver\\_u10/print.html](http://www.theregister.co.uk/2006/01/19/review_iriver_u10/print.html)), published Jan. 19, 2006, 5 pages.
- IF Design, "iF product design award 2007," ([http://www.ifdesign.de/beitragsdetails\\_e.html?offset=87&sprache=2&award\\_id=121&beit . . .](http://www.ifdesign.de/beitragsdetails_e.html?offset=87&sprache=2&award_id=121&beit...)), accessed on Sep. 21, 2011, 1 page.
- Justia, "*Apple v. Samsung Electronics Co. Ltd. et al.*, Filing: 943 Attachment: 5," (<http://docs.justia.com/cases/federal/district-courts/california/candce/5:2011cv01846/239768/943/5.html>), dated May 18, 2012, 3 pages.
- Lee, Tommy, "Cookie phone pink, LG Electronics Cyon LG-LU9100," <http://diner.tistory.com/m/post/view/id/211>), published Jul. 14, 2009, 8 pages.
- LG KE850 Prada, no date [online], [retrieved Sep. 4, 2013]. Retrieved from Internet, [http://www.pid-handynet.de/bild-datenbank/021\\_000/21114.jpg](http://www.pid-handynet.de/bild-datenbank/021_000/21114.jpg).
- LG KE850 Prada, reviewed May 16, 2007 [online], [retrieved Sep. 4, 2013]. Retrieved from Internet, [http://reviews.cnet.com/cell-phones/lgke850-prada-unlocked/4505-6454\\_7-32316442.html](http://reviews.cnet.com/cell-phones/lgke850-prada-unlocked/4505-6454_7-32316442.html).
- Martin, T., "The Tablet Newspaper: A Vision for the Future," Human Factors in Computing Systems, Chi '95 Conference Companion, pp. 425, Colorado, United States (May 1995).
- Mobiface, "The Black Box," (<http://www.mobiface.com/view.php?id=53>), published Sep. 28, 2006, 5 pages.
- Mobilegazette.com, "Acer DX900 / E-TEN Glofiish DX900," (<http://www.mobilegazette.com/acer-dx900-09x02x04.htm>), published Feb. 4, 2009, 3 pages.
- Mobilegazette.com, Apple iPhone 3G, (<http://www.mobilegazette.com/apple-iphone-3g-08x06x09.htm>), published Jun. 9, 2008, 5 pages.
- Mobilegazette.com, "E-TEN Glofiish X650," (<http://www.mobilegazette.com/etenglofiish-x650-08x01x12.htm>), published Jan. 12, 2008, 2 pages.
- Mohindru, Ravin, "New iPod touch 4G (4th gen) First Impressions," TouchReviews.net, (<http://touchreviews.net/ipod-touch-4g-4-impressions/>), published Sep. 7, 2010, 10 pages.
- NewLaunches, "LG Prada cell phones are truly iconic," ([http://www.newlaunches.com/archives/lg\\_prada\\_cell\\_phones\\_are\\_truly\\_iconic.php](http://www.newlaunches.com/archives/lg_prada_cell_phones_are_truly_iconic.php)), retrieved Sep. 12, 2011, 3 pages.
- NewLaunches, "LG Wears Prada," ([http://www.newlaunches.com/archives/lg\\_wears\\_prada.php](http://www.newlaunches.com/archives/lg_wears_prada.php)), retrieved Sep. 23, 2011, 2 pages.
- Newlaunches.com, "PIDION BM-200 sleek Windows CE PDA phone from Bluebird," ([http://www.newlaunches.com/archives/pidion\\_bm200\\_sleek\\_windows\\_ce\\_pda\\_phone\\_from\\_bluebird.php](http://www.newlaunches.com/archives/pidion_bm200_sleek_windows_ce_pda_phone_from_bluebird.php)), published Dec. 15, 2005, 3 pages.
- Patel, "The HP Slate" (<http://www.engadget.com/2010/01/06/the-hp-slate/>), Engadget.com, published Jan. 6, 2010, 4 pages.
- PC Magazine, "HP Compaq Tablet PC TC1000," (<http://www.pcmag.com/article2/0,2817%20,939500,00.asp>), published Apr. 8, 2003, 3 pages.
- PDADB.net, "Bluebird Pidion BM-200 Specs," ([http://pdadb.net/index.php?m=specs&id=1804&c=bluebird\\_pidion\\_bm-200](http://pdadb.net/index.php?m=specs&id=1804&c=bluebird_pidion_bm-200)), published Mar. 24, 2008, 3 pages.
- PDADB.net, "Sony Clie PEG-SL10 / PEG-SL10U / PEG-SL10E Specs," ([http://pdadb.net/index.php?m=specs&id=1198&c=sony\\_clie\\_peg-sl10\\_peg-sl10u-peg-sl10e](http://pdadb.net/index.php?m=specs&id=1198&c=sony_clie_peg-sl10_peg-sl10u-peg-sl10e)), published Mar. 4, 2008, 3 pages.
- Ricker, "LG's KE850 Prada official: iPhone says, wha?" Engadget.com, (<http://www.engadget.com/2007/01/18/lgs-ke850-prada-official-iphone-says-wha/>), published Jan. 18, 2007, 4 pages.
- Ricker, "Meizu's M8? Apple lawyers, start your engines," Engadget.com, (<http://www.engadget.com/2007/01/29/meizus-m8-apple-lawyers-start-your-engines/>), published Jan. 29, 2007, 1 page.
- Ricker, "The Pidion BM-200: it's time to move to Seoul," (<http://www.engadget.com/2005/10/04/the-pidion-bm-200-its-time-to-move-to-seoul/>), Engadget.com, published Oct. 4, 2005, 4 pages.
- S. Dimitris, "Pidion BM200 Smartphone," PDASNews, ([www.pdasnews.com/articles/pidion-bm200-smartphone.html](http://www.pdasnews.com/articles/pidion-bm200-smartphone.html)), accessed Mar. 7, 2012, 2 pages.
- Samsung, "Samsung F700 is razendsnelle alleskunner voor mobiel breedband van Vodafone," ([http://www.samsung.com/nl/mobile/pressView.do?ptype=press&page=13&news\\_seq=22544](http://www.samsung.com/nl/mobile/pressView.do?ptype=press&page=13&news_seq=22544)), published May 25, 2008, 2 pages.
- Samsung, "Samsung Unveils Revolutionary Ultra Smart F700," ([http://www.samsung.com/us/news/newsRead.do?news\\_seq=3516](http://www.samsung.com/us/news/newsRead.do?news_seq=3516)), published Nov. 23, 2009, 2 pages.
- Schwichtenbert, V., "Test: Sony Ericsson W950i," [http://www.chip.de/artikel/Sony-Ericsson-W950i-Test\\_18777095.html](http://www.chip.de/artikel/Sony-Ericsson-W950i-Test_18777095.html), published Nov. 30, 2006, 11 pages.
- Support.Apple.com, "Identifying iPhone Models," (<http://web.archive.org/web/20121211214303/http://support.apple.com/kb/HT3939>), last modified Oct. 30, 2012, 5 pages.
- Support.Apple.com, "Identifying iPod Models," (<http://web.archive.org/web/20121024182303/http://support.apple.com/kb/HT1353>), last modified Apr. 6, 2012, 16 pages.
- Van Reeth, J., "Vantage is showing its colours!" Home automation journal 11:1-8, Vantage Emea, Belgium (Jun. 2003).
- Vasile, C., Softpedia, "MobilePen: An Expensive but Helpful Touchscreen," <http://news.softpedia.com/news/MobilePen-An-Expensive-But-Helpful-Touchscreen-16192.shtml>, published Jan. 12, 2006, 2 pages.
- Vilas-Boas, "Industrial Design Portfolio," (<http://rdvb-designshowcase.blogspot.com/p/cheddar-1-2009.html>), published 2004, 6 pages.
- Wikipedia, "Etch a Sketch," ([http://en.wikipedia.org/wiki/Etch\\_a\\_sketch](http://en.wikipedia.org/wiki/Etch_a_sketch)), last modified Aug. 24, 2011, 4 pages.
- Wikipedia, "MessagePad," (<http://en.wikipedia.org/wiki/Messagepad>), retrieved Sep. 12, 2011, 10 pages.
- Wikipedia.org, "File:LG KE850 Prada Hauptmenü.jpg," ([http://en.wikipedia.org/wiki/File:LG\\_KE850\\_Prada\\_Hauptmen%C3%Bc.jpg](http://en.wikipedia.org/wiki/File:LG_KE850_Prada_Hauptmen%C3%Bc.jpg)), accessed Feb. 12, 2012, 4 pages.
- ZDNet, "Viewsonic V1100," (<http://www.zdnet.nl/reviews/24712/viewsonic-v1100/>), published Feb. 17, 2003, 9 pages.
- Ziegler, C., Engadget, "The LG KE850: touchable chocolate," (<http://mobile.engadget.com/2006/12/15/the-lg-ke850-touchable-chocolate/>), published Dec. 15, 2006, 5 pages.
- U.S. Appl. No. 29/572,745, filed Jul. 29, 2016; Akana et al.
- U.S. Appl. No. 29/572,746, filed Jul. 29, 2016; Akana et al.
- U.S. Appl. No. 29/572,748, filed Jul. 29, 2016; Akana et al.
- U.S. Appl. No. 29/572,749, filed Jul. 29, 2016; Akana et al.
- U.S. Appl. No. 29/572,751, filed Jul. 29, 2016; Akana et al.

\* cited by examiner

Primary Examiner — Barbara Fox

Assistant Examiner — Dana K Weiland

(74) Attorney, Agent, or Firm — Sterne, Kessler, Goldstein & Fox P.L.L.C.

(57) CLAIM

The ornamental design for an electronic device, as shown and described.

DESCRIPTION

FIG. 1 is a bottom front perspective view of an electronic device showing the claimed design;

FIG. 2 is a top front perspective view thereof;  
FIG. 3 is a top rear perspective view thereof;  
FIG. 4 is a bottom rear perspective view thereof;  
FIG. 5 is a front view thereof;  
FIG. 6 is a rear view thereof;  
FIG. 7 is a top view thereof;  
FIG. 8 is a bottom view thereof;  
FIG. 9 is a left side view thereof; and,  
FIG. 10 is a right side view thereof.

The shade lines in the figures show contour and not surface ornamentation.

The dashed broken lines in the figures show portions of the electronic device that form no part of the claimed design.

The dot-dash broken lines in the figures and the area within the dot-dash lines show portions of the electronic device that form no part of the claimed design.

The oblique shade lines in the figures show transparency or translucency.

**1 Claim, 8 Drawing Sheets**

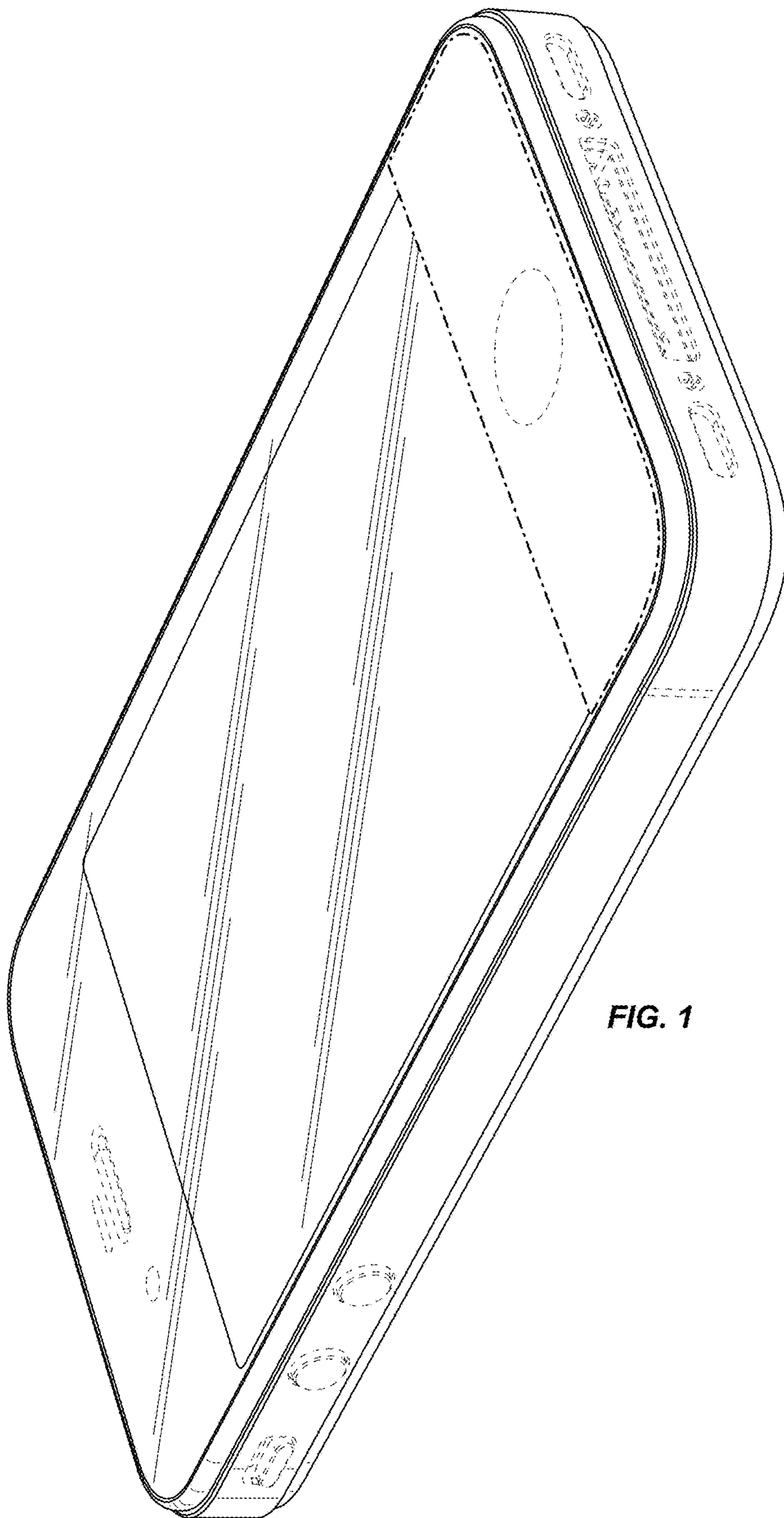


FIG. 1

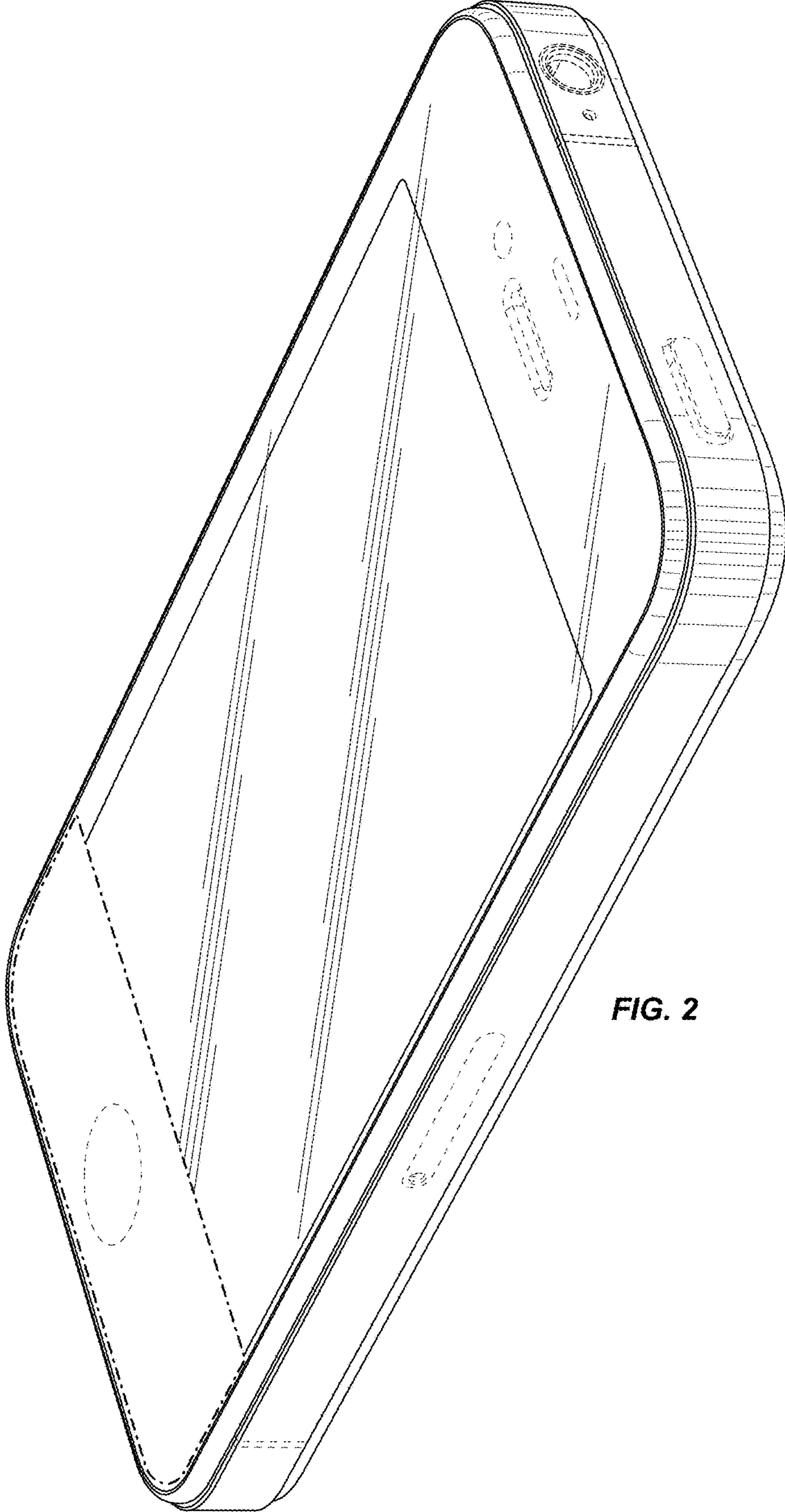


FIG. 2

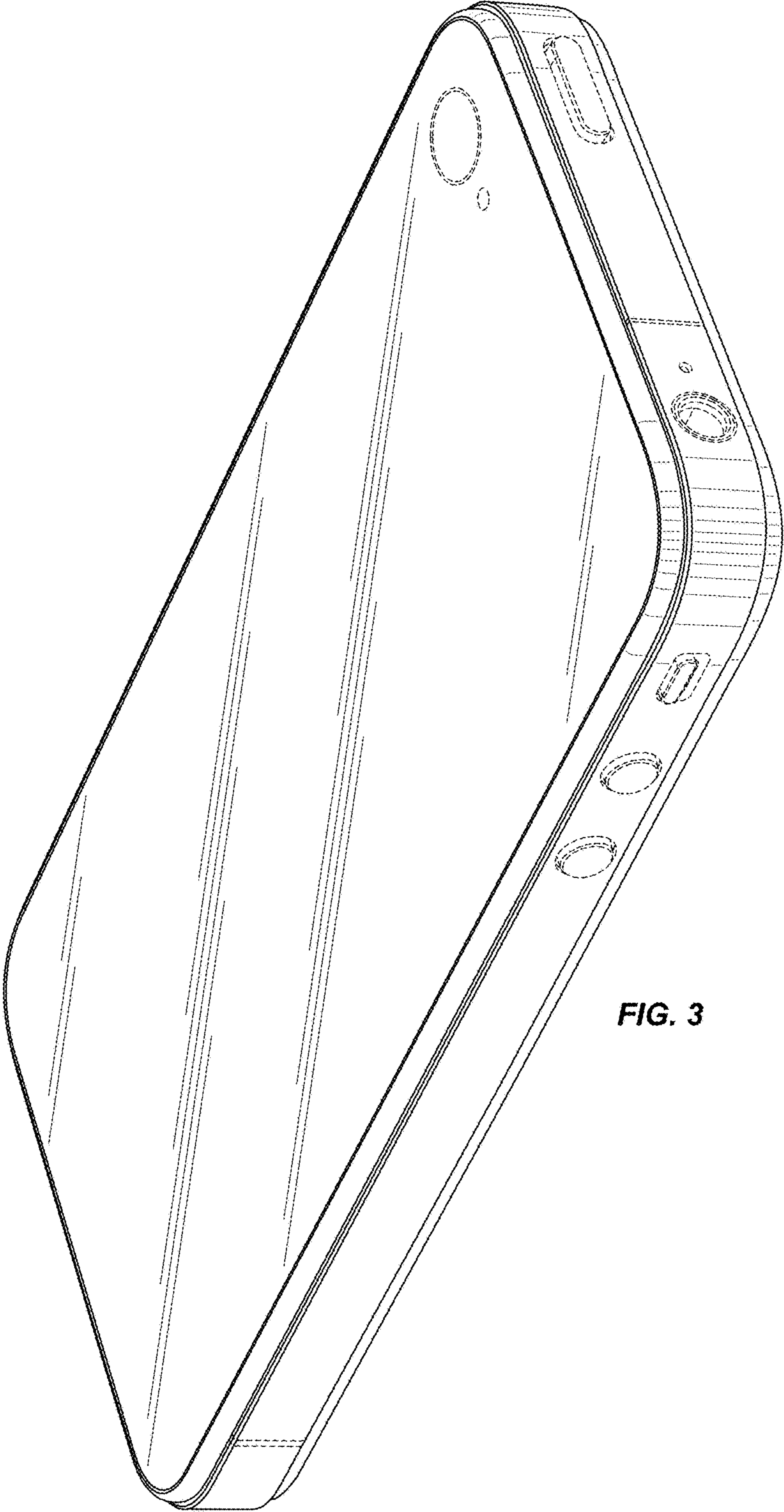


FIG. 3



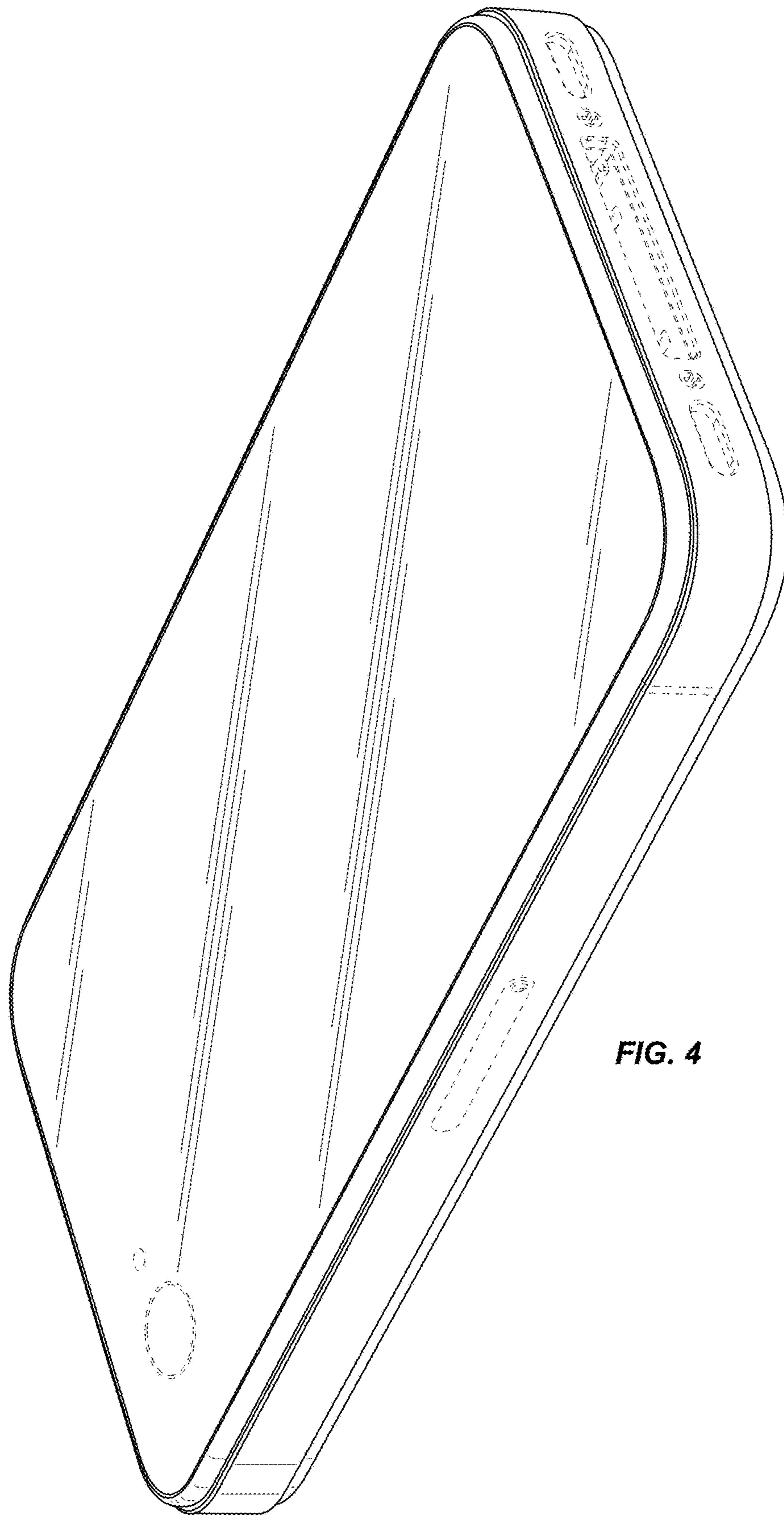


FIG. 4

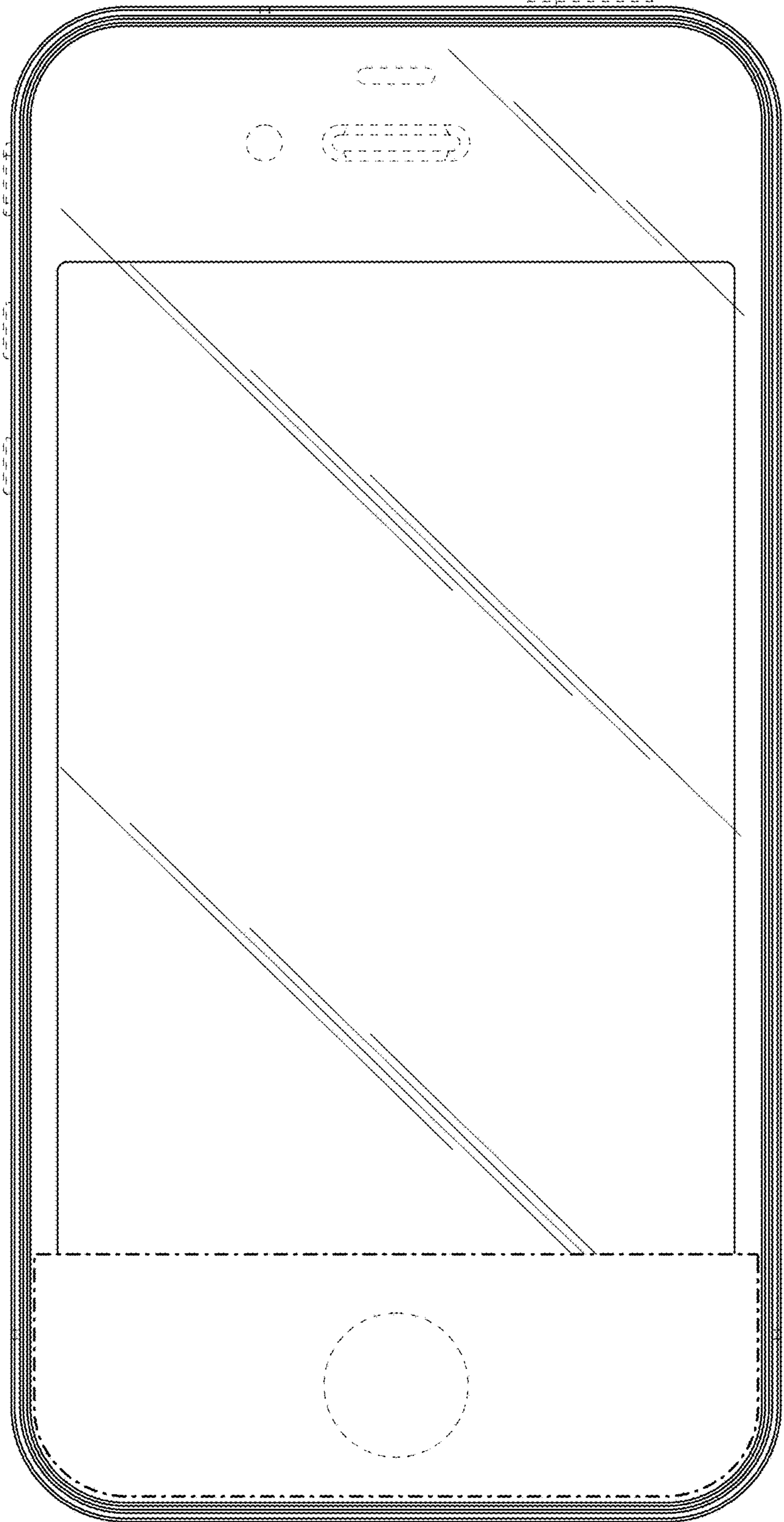


FIG. 5

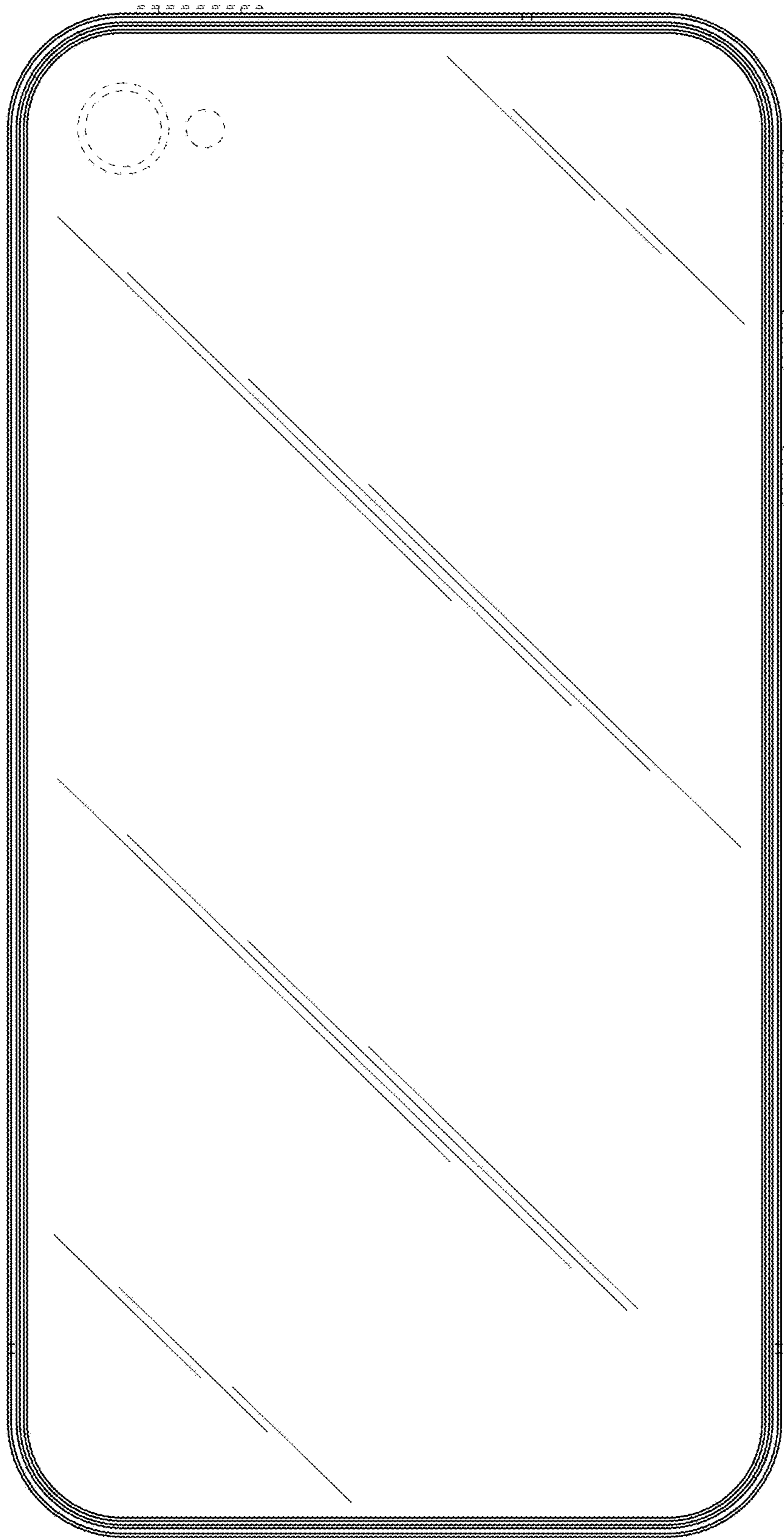


FIG. 6

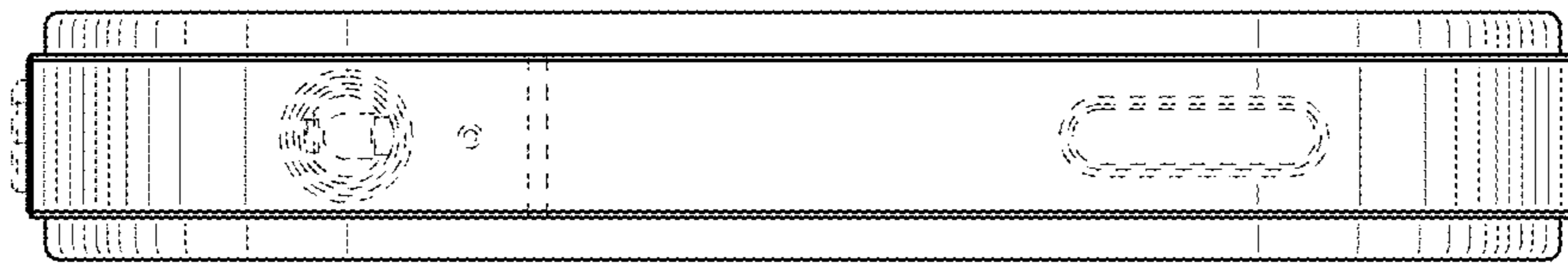


FIG. 7

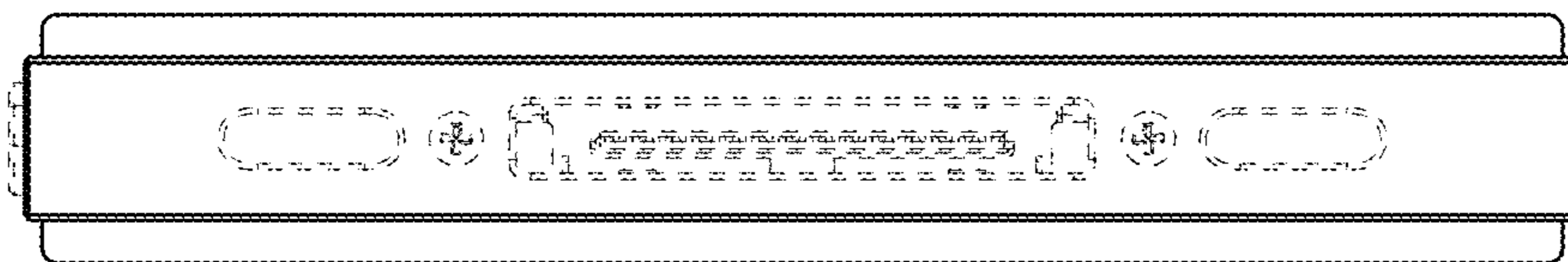
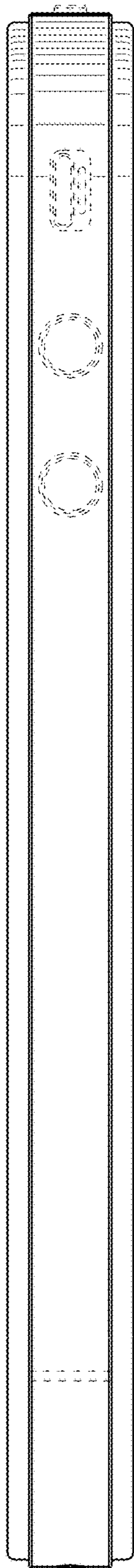
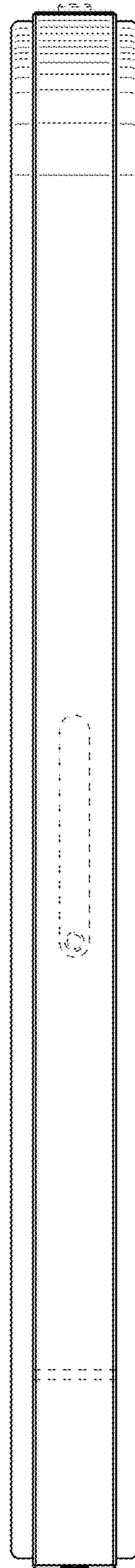


FIG. 8



**FIG. 9**



**FIG. 10**

UNITED STATES PATENT AND TRADEMARK OFFICE  
**CERTIFICATE OF CORRECTION**

PATENT NO. : D828,350 S  
APPLICATION NO. : 29/572747  
DATED : September 11, 2018  
INVENTOR(S) : Akana et al.

Page 1 of 1

It is certified that error appears in the above-identified patent and that said Letters Patent is hereby corrected as shown below:

On the Title Page

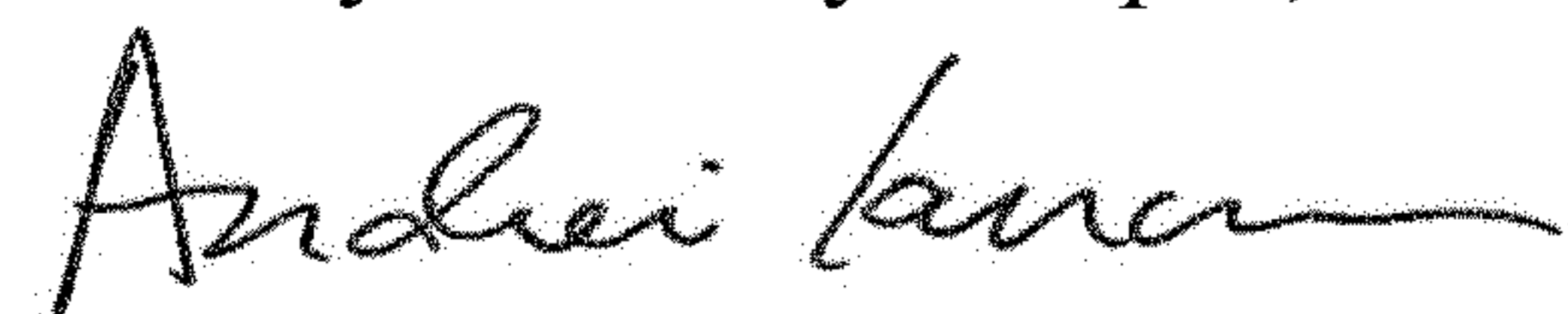
Item [60], replace:

“Continuation of application No. 29/498,328, filed on Aug. 1, 2014, now Pat. No. Des. 763,253, which is a continuation of application No. 29/432,436, filed on Sep. 14, 2012, now Pat. No. Des. 710,843, which is a continuation of application No. 29/379,707, filed on Nov. 23, 2010, now Pat. No. Des. 672,343, which is a continuation of application No. 29/360,036, filed on Apr. 19, 2010, now Pat. No. Des. 627,778, and a division of application No. 29/363,172, filed on Jun. 5, 2010, now Pat. No. Des. 633,493, which is a continuation of application No. 29/360,110, filed on Apr. 20, 2010, now Pat. No. Des. 633,908.”

With:

“Continuation of application No. 29/498,328, filed on Aug. 1, 2014, now Pat. No. Des. 763,253, which is a continuation of application No. 29/432,436, filed on Sep. 14, 2012, now Pat. No. Des. 710,843, which is a continuation of application No. 29/379,707, filed on Nov. 23, 2010, now Pat. No. Des. 672,343, which is a continuation of application No. 29/360,036, filed on Apr. 19, 2010, now Pat. No. Des. 627,778, and a division of application No. 29/363,172, filed on Jun. 5, 2010, now Pat. No. Des. 633,493, which is a continuation of application No. 29/360,110, filed on Apr. 20, 2010, now Pat. No. Des. 633,908, which is a continuation of application No. 29/360,036, filed on Apr. 19, 2010, now Pat. No. Des. D627,778.”

Signed and Sealed this  
Twenty-third Day of April, 2019



Andrei Iancu  
Director of the United States Patent and Trademark Office