



US00D828349S

(12) **United States Design Patent** (10) **Patent No.:** **US D828,349 S**
Nagai et al. (45) **Date of Patent:** **** Sep. 11, 2018**

(54) **PORTABLE COMPUTER**

(71) Applicant: **Panasonic Intellectual Property Management Co., Ltd., Osaka (JP)**

(72) Inventors: **Nobuharu Nagai, Tokyo (JP); Vitali Bulgarov, Las Vegas, NV (US)**

(73) Assignee: **Panasonic Intellectual Property Management Co., Ltd., Osaka (JP)**

(**) Term: **15 Years**

(21) Appl. No.: **29/611,030**

(22) Filed: **Jul. 18, 2017**

(51) **LOC (11) Cl.** **14-02**

(52) **U.S. Cl.**
USPC **D14/318**

(58) **Field of Classification Search**

USPC D14/315-327, 434, 455; D18/1, 2, 7, 11; 235/145 A, 145 R; 341/22, 23; 345/104, 345/156, 168, 169, 173; 361/679.08, 361/679.09, 679.11, 679.26, 679.27
CPC G06F 1/16; G06F 1/1616; G06F 1/1626; G06F 1/1632; G06F 1/1613; G06F 1/1601; G06F 1/1618; G06F 1/162; G06F 1/166; G06F 1/1654; G06F 1/1652; G06F 1/1681; G06F 1/1637; G06F 1/1688; G06F 1/1656; H01R 35/02; H01R 31/065; H03M 11/00; G09B 13/04; H03K 17/94; G09G 5/00; F16M 11/10; H05K 5/00; H04M 1/0216; H04M 1/0237; H02J 7/0042; H02J 7/00; H01M 10/44; Y02E 60/12; Y02T 90/14; Y02T 90/122; Y02T 90/128; Y02T 90/163

See application file for complete search history.

(56) **References Cited**

U.S. PATENT DOCUMENTS

D572,479 S * 7/2008 Buck D3/282
D623,648 S * 9/2010 Hsu D14/324

D624,069 S * 9/2010 Peng D14/324
D702,679 S * 4/2014 Li D14/324
D756,994 S * 5/2016 Shindo D14/315
D786,237 S * 5/2017 Ju D14/315
2011/0310553 A1* 12/2011 Hsiao G06F 1/1616
361/679.55
2016/0149597 A1* 5/2016 Takasu G06F 1/1669
455/127.2

* cited by examiner

Primary Examiner — Freda S Nunn

(74) *Attorney, Agent, or Firm* — Panasonic IP Management; Kerry S. Culpepper

(57) **CLAIM**

The ornamental design for a portable computer, as shown and described.

DESCRIPTION

FIG. 1 is a front perspective view of a portable computer of the present invention;
FIG. 2 is a rear perspective view thereof;
FIG. 3 is a front view thereof;
FIG. 4 is a rear view thereof;
FIG. 5 is a first side view thereof;
FIG. 6 is a second side view thereof;
FIG. 7 is a top view thereof;
FIG. 8 is a bottom view thereof;
FIG. 9 is a front perspective view thereof shown in a closed position;
FIG. 10 is a rear perspective view thereof shown in a closed position;
FIG. 11 is a front perspective view thereof with the keyboard being detached from the portable computer; and,
FIG. 12 is a rear perspective view thereof with the keyboard being detached from the portable computer.

1 Claim, 12 Drawing Sheets

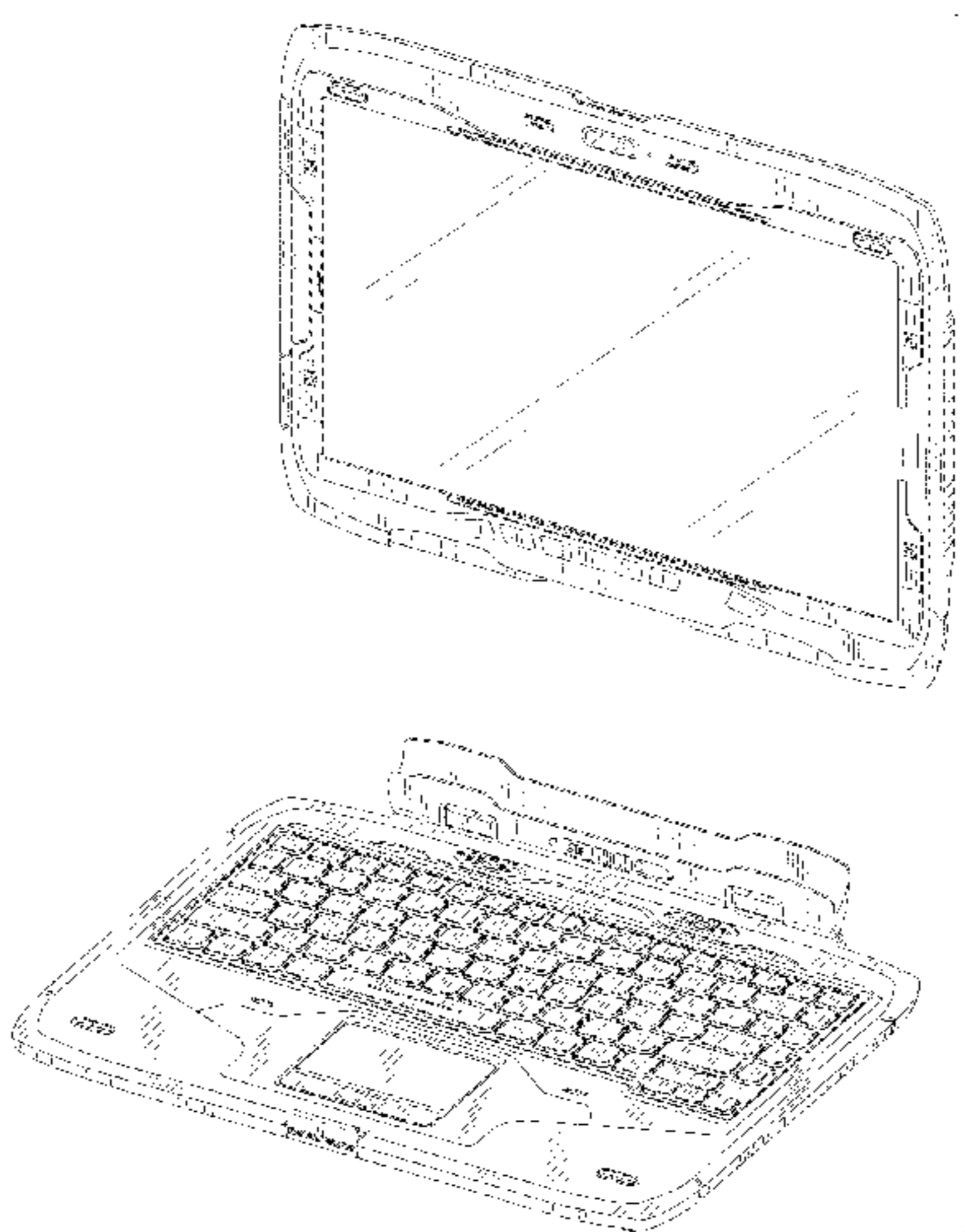


FIG. 1

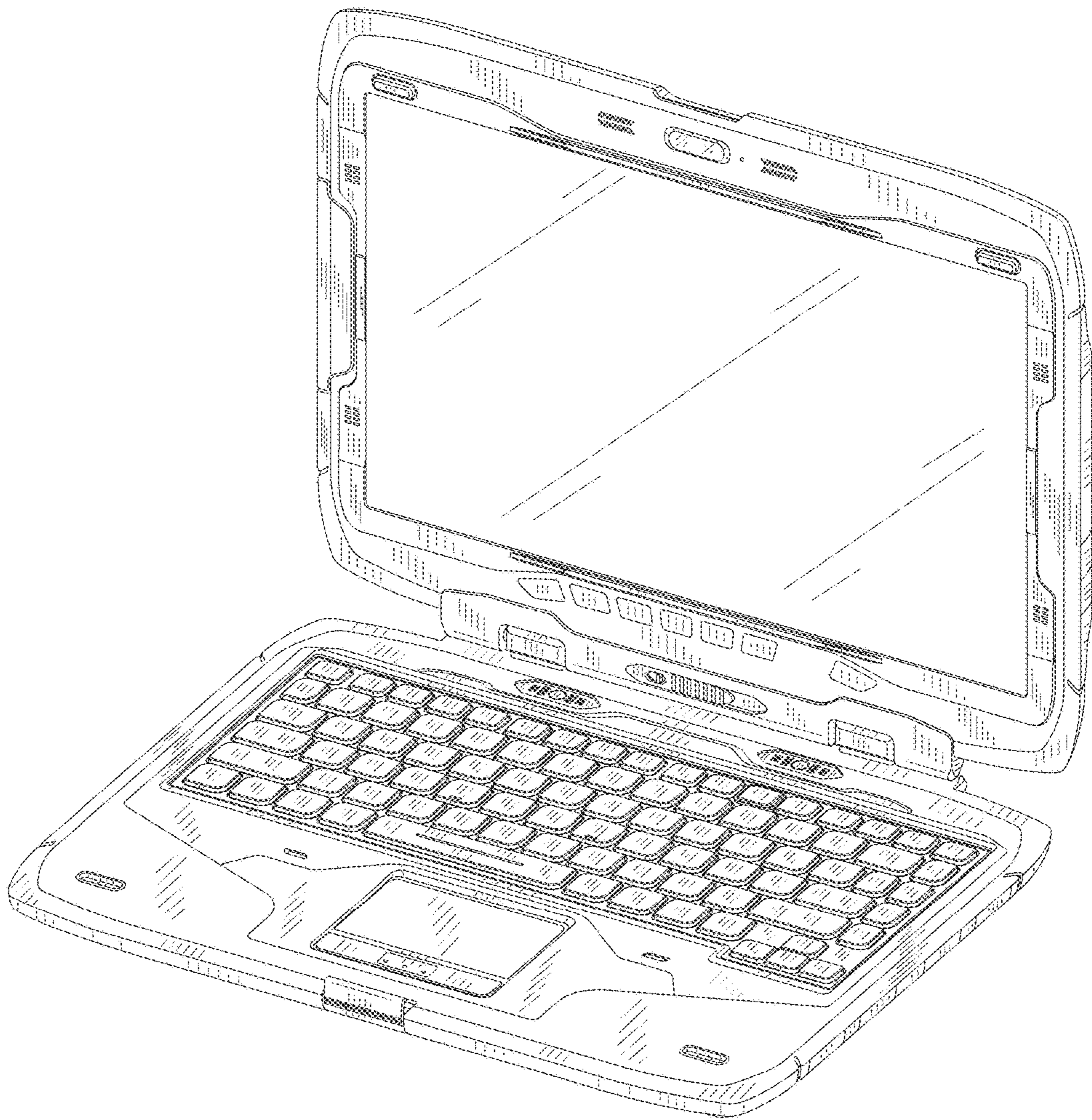


FIG. 2

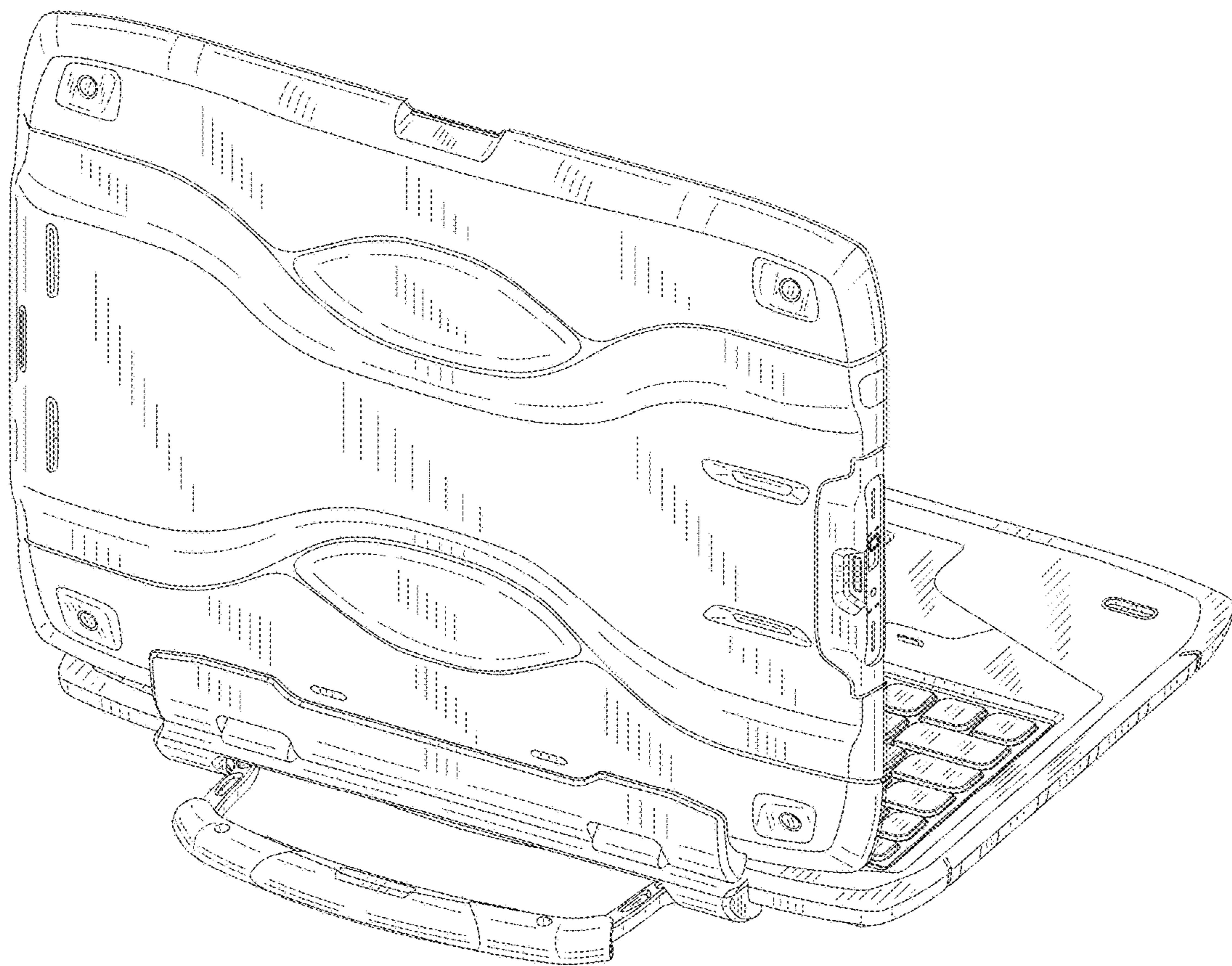


FIG. 3

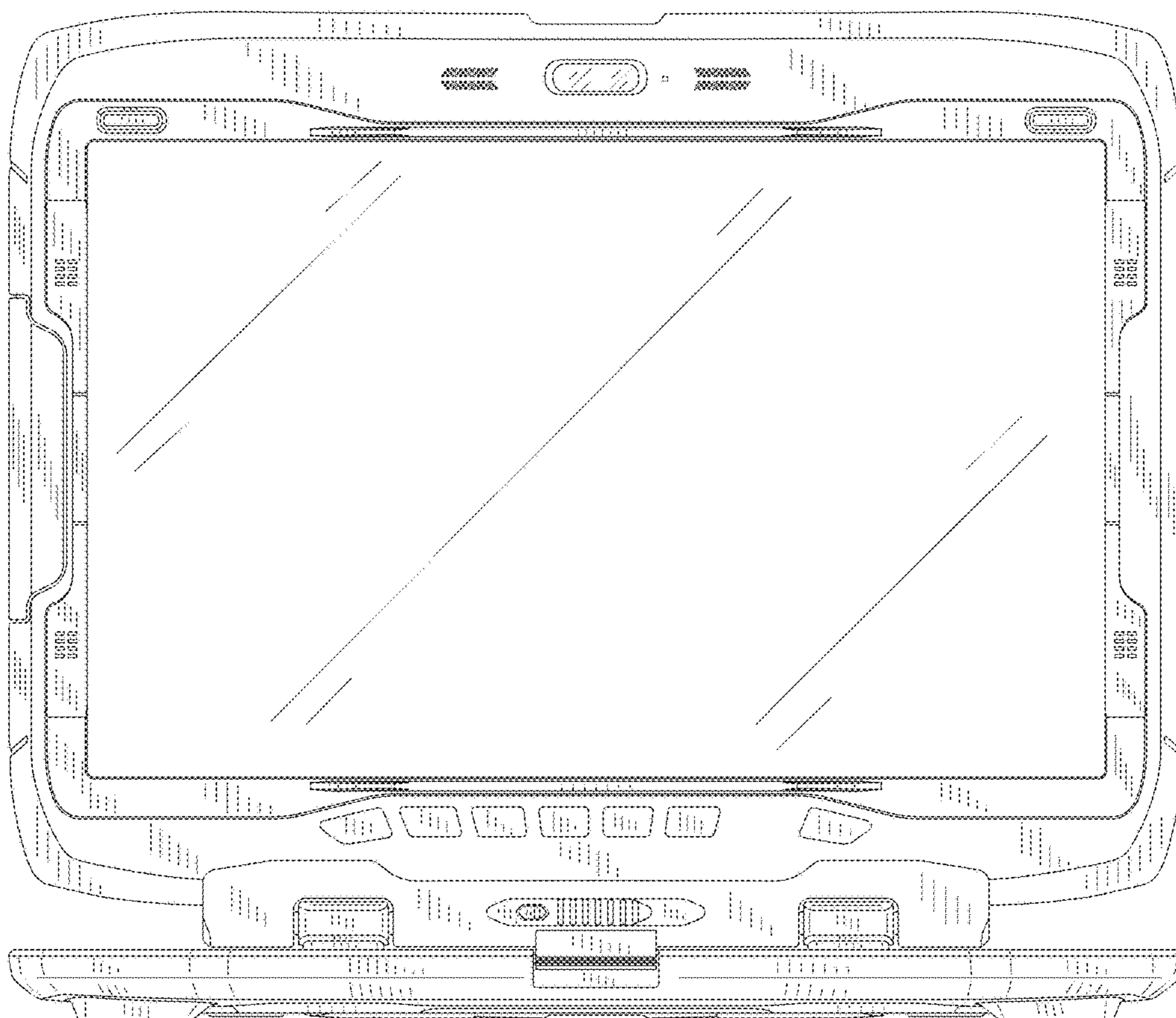


FIG. 4

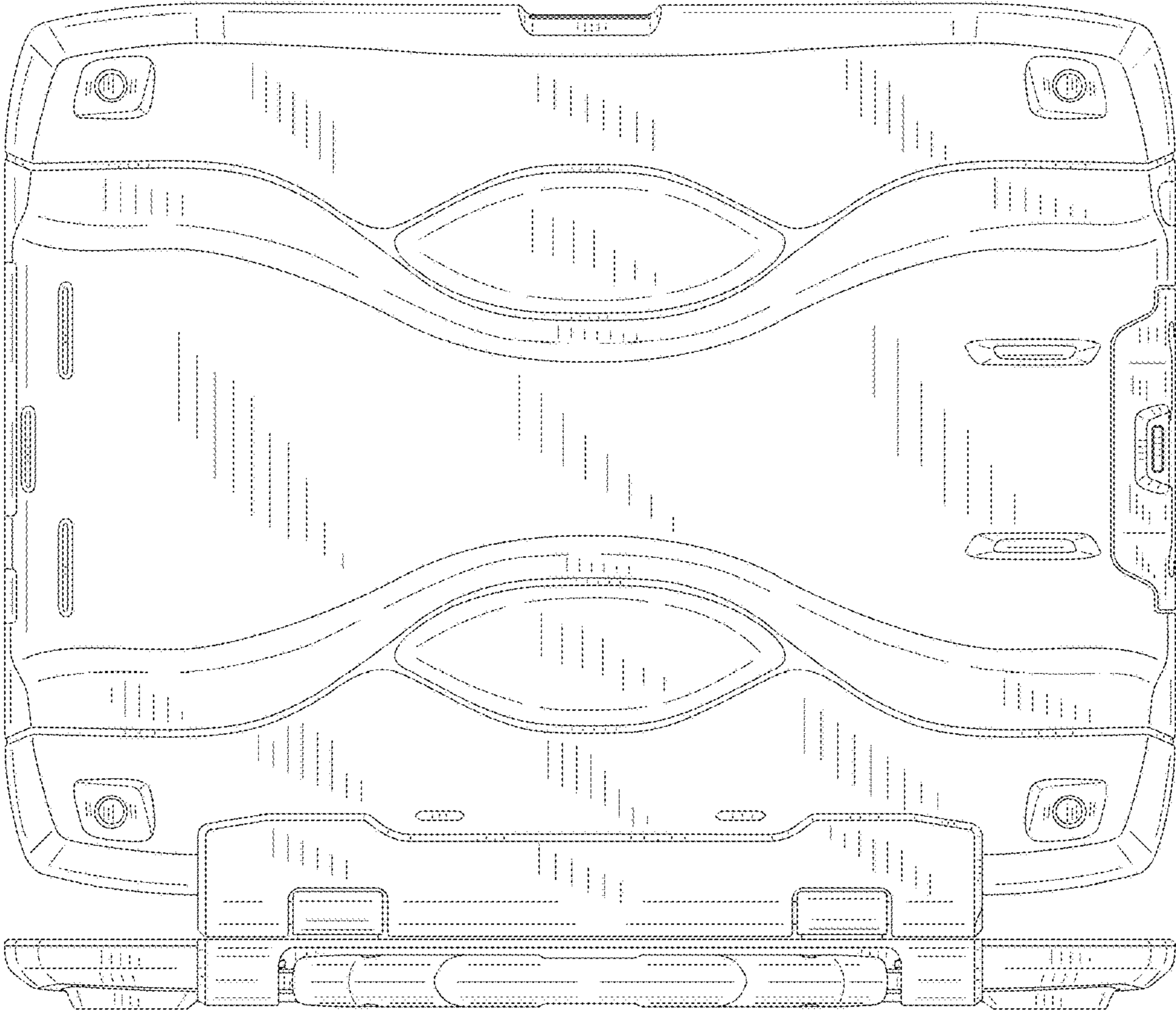


FIG. 5

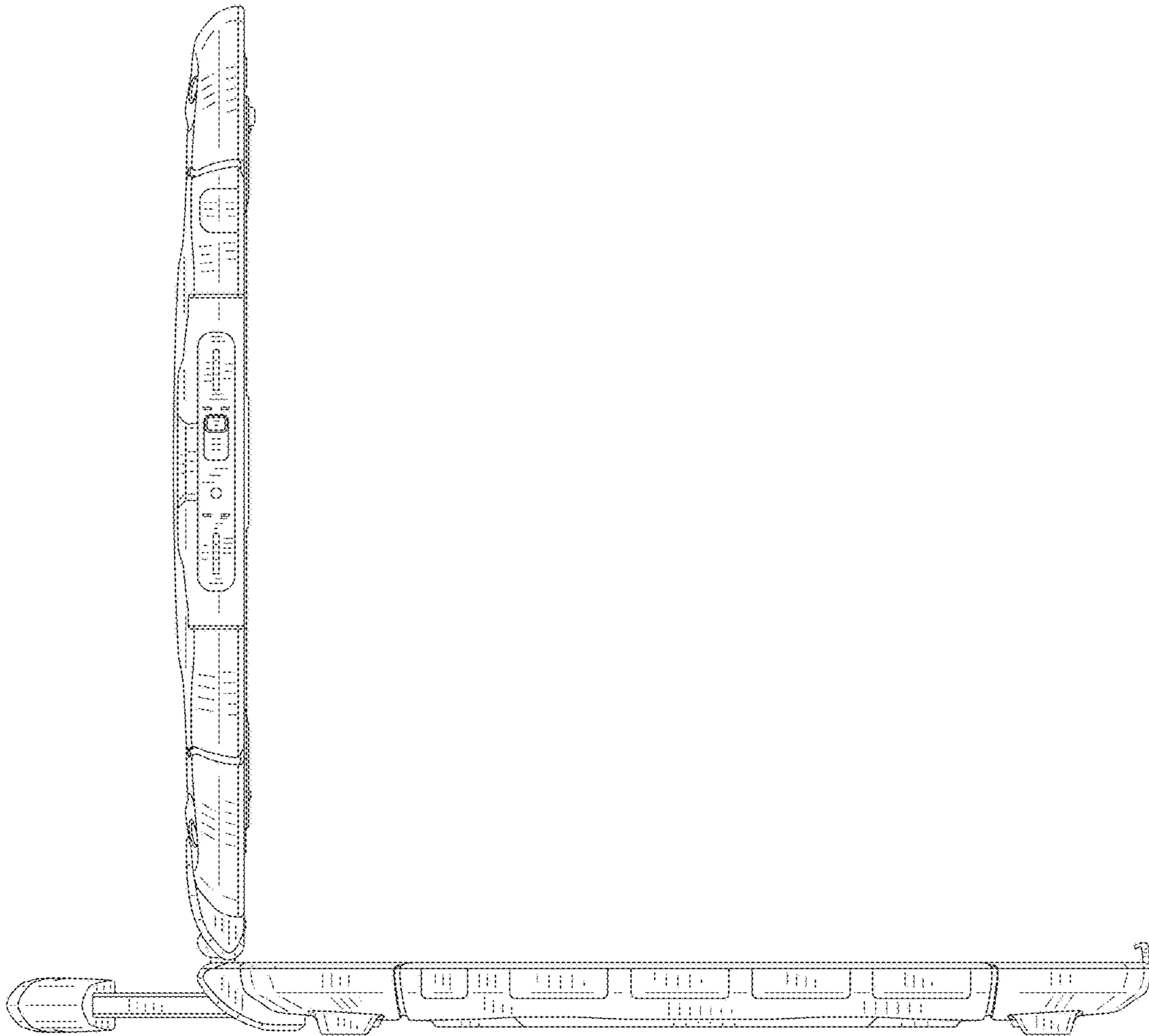


FIG. 6

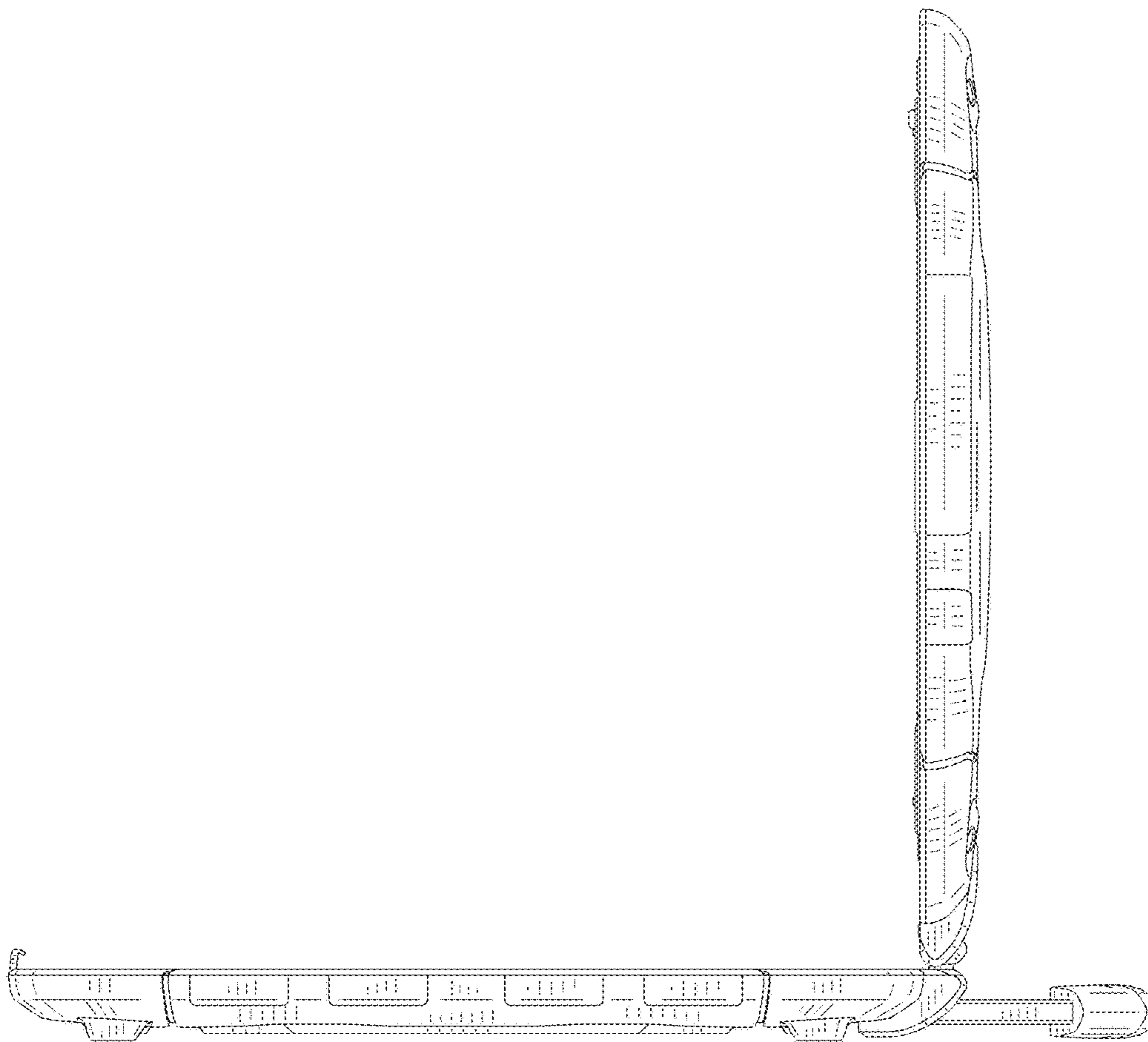


FIG. 7



FIG. 8

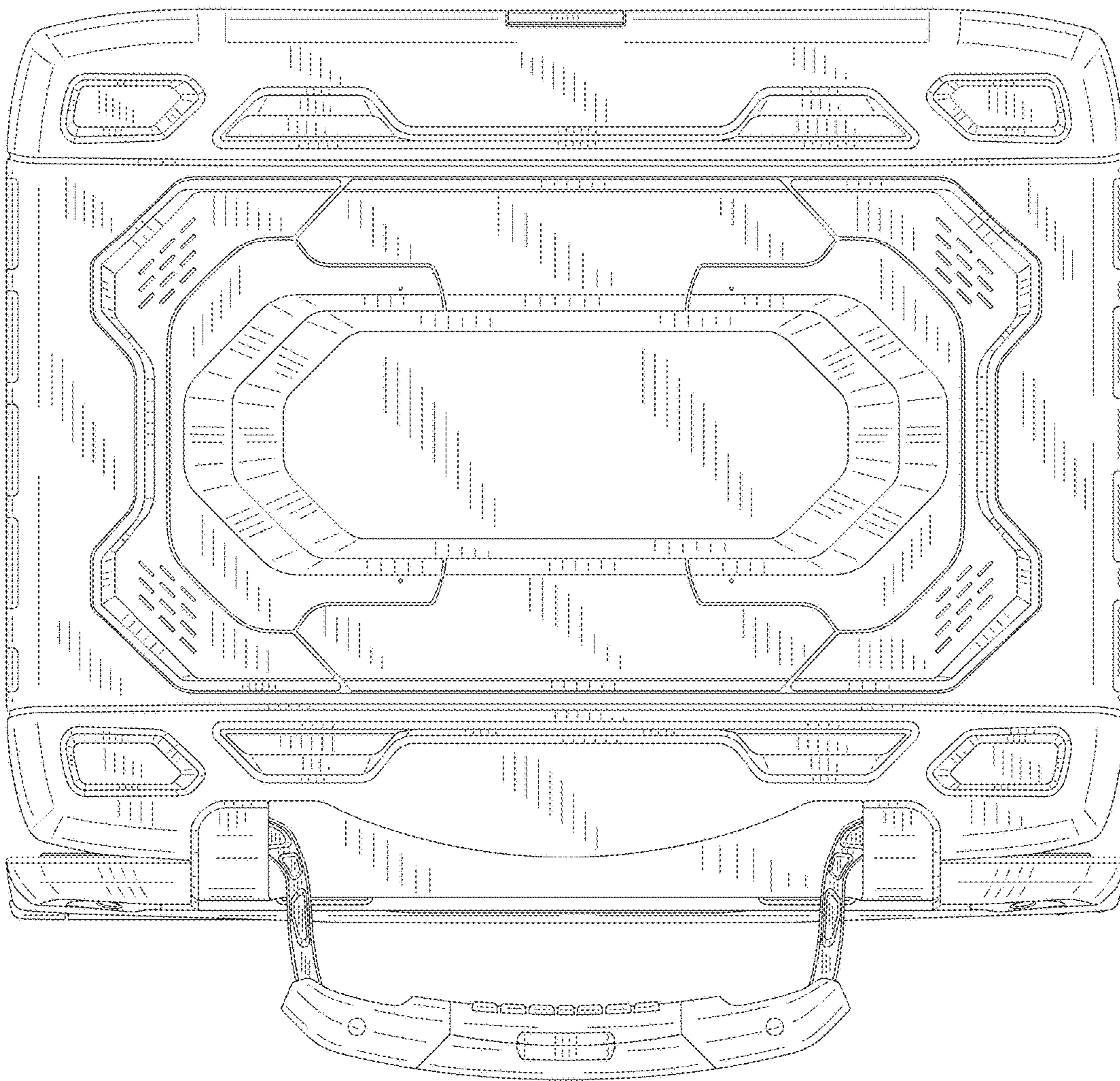


FIG. 9

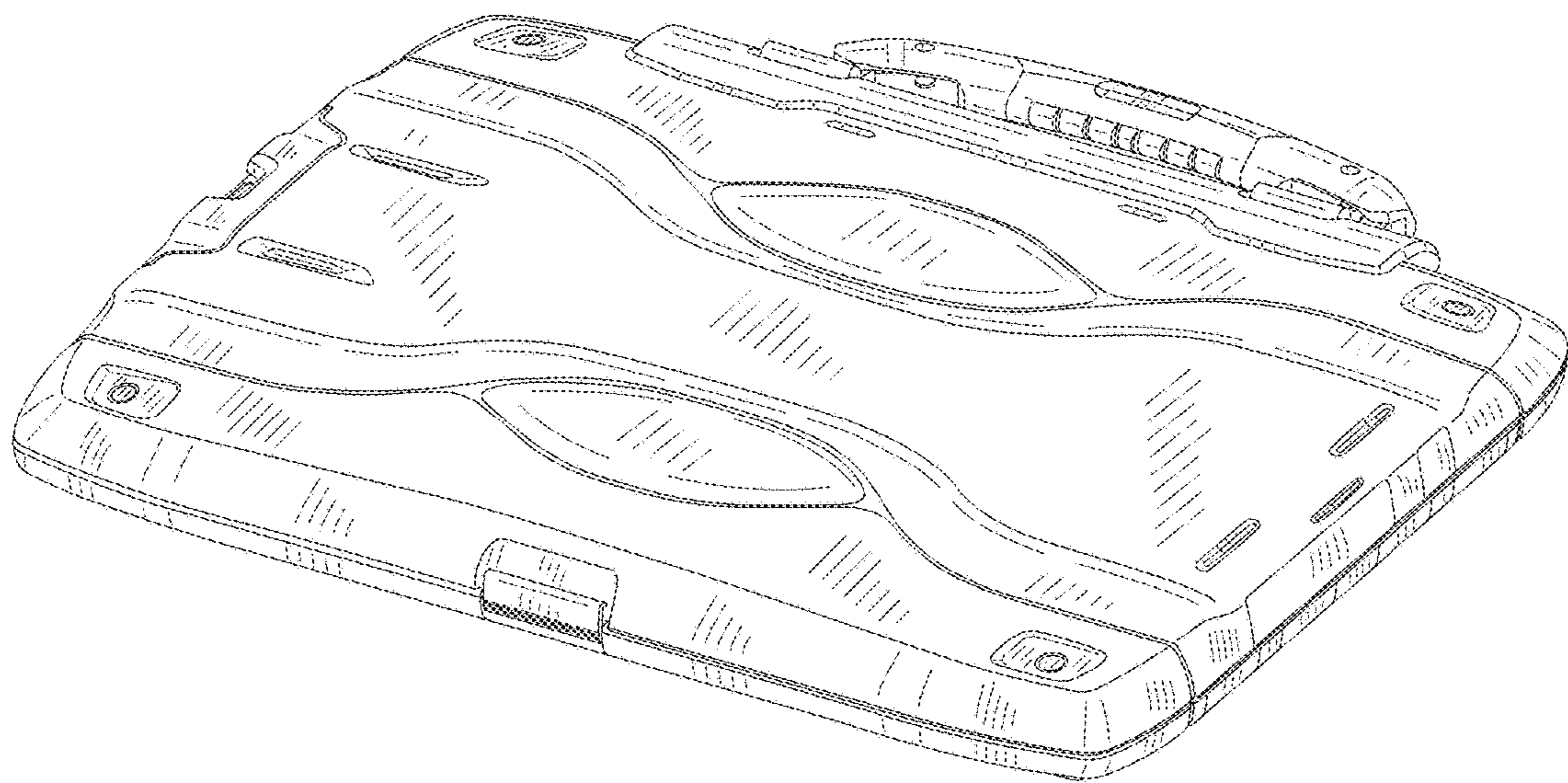


FIG. 10

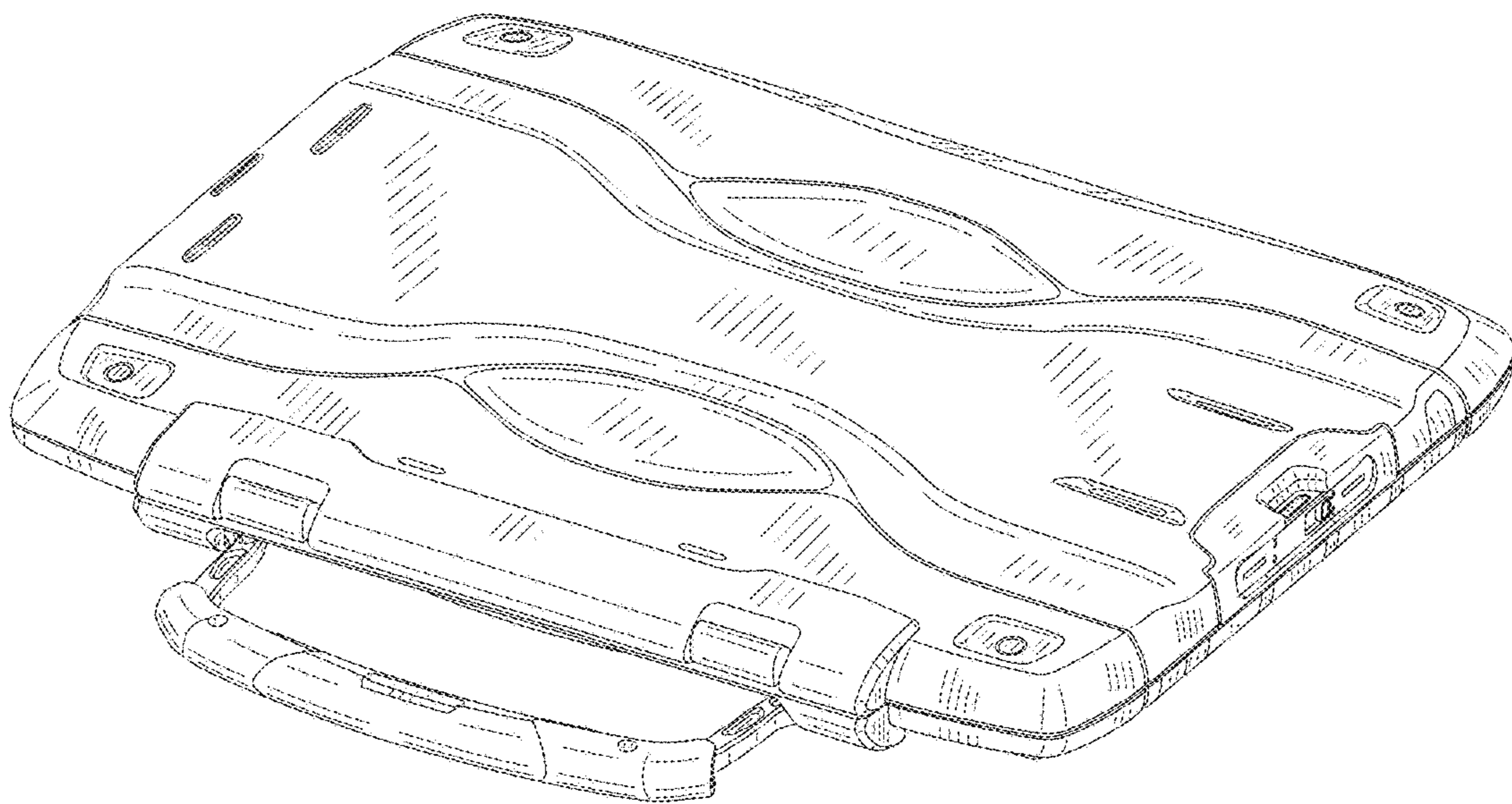


FIG. 11

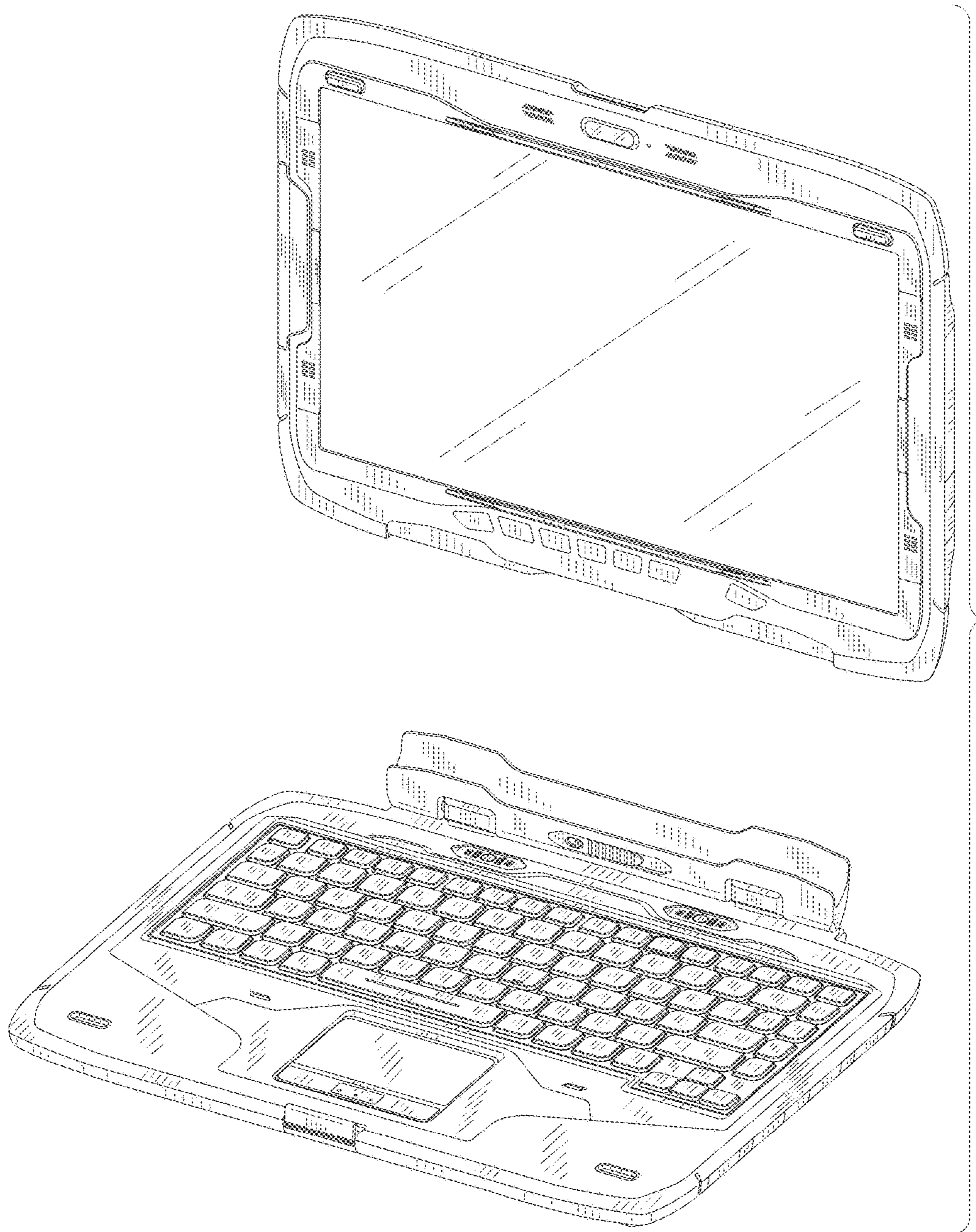


FIG. 12

