

US00D828346S

(12) **United States Design Patent**
Kim et al.

(10) **Patent No.:** **US D828,346 S**

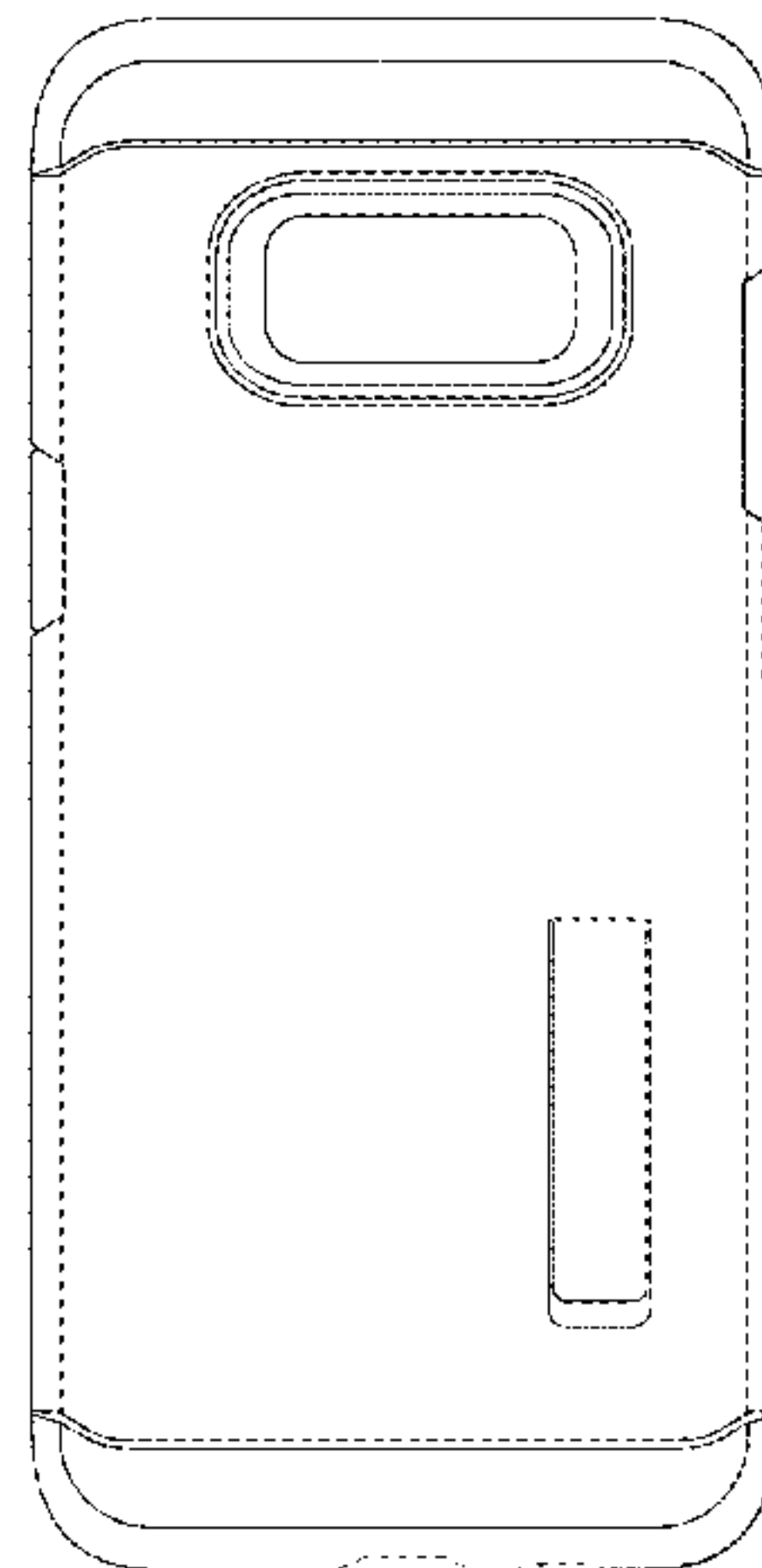
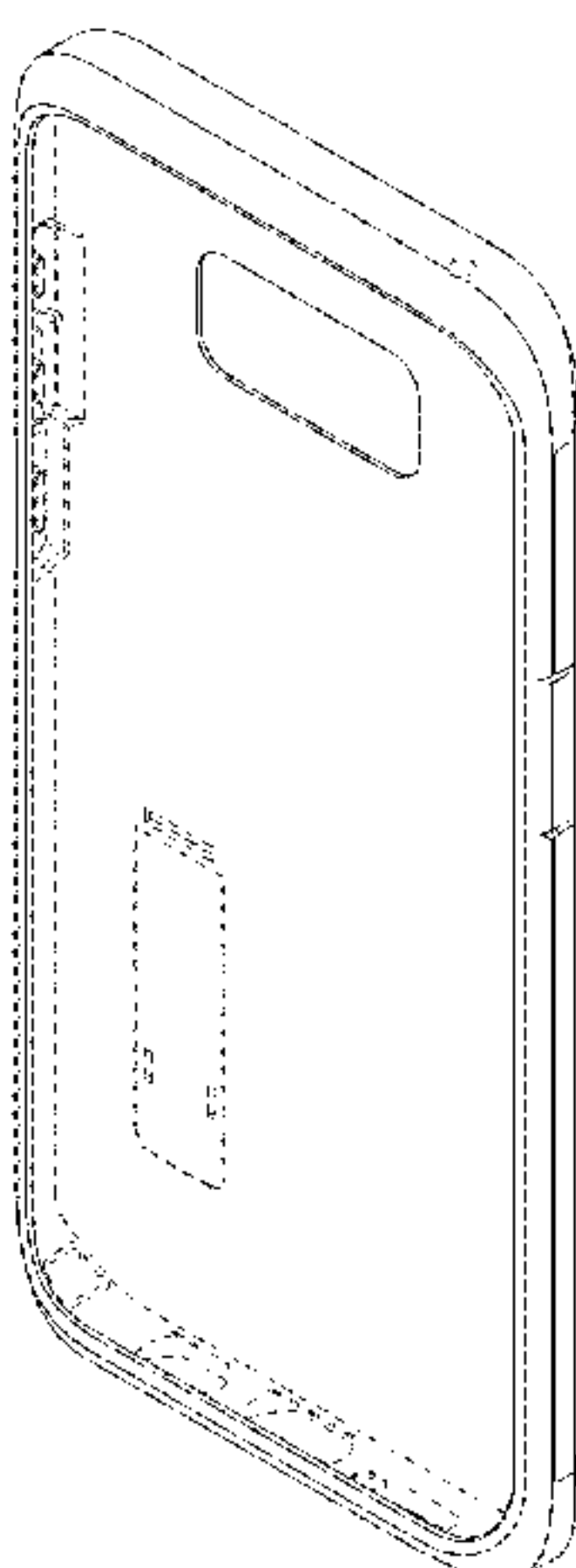
(45) **Date of Patent:** **** Sep. 11, 2018**

- (54) **CASE FOR ELECTRONIC COMMUNICATIONS DEVICE**
- (71) Applicants: **Dae-Young Kim**, Seoul (KR); **Soo Ha Jung**, Seoul (KR)
- (72) Inventors: **Dae-Young Kim**, Seoul (KR); **Soo Ha Jung**, Seoul (KR)
- (73) Assignee: **SPIGEN KOREA CO., LTD.**,
Bongeunsa-ro Gangnam-gu, Seoul (KR)
- (**) Term: **15 Years**
- (21) Appl. No.: **29/596,063**
- (22) Filed: **Mar. 4, 2017**
- (51) **LOC (11) Cl.** **14-03**
- (52) **U.S. Cl.**
USPC **D14/250**
- (58) **Field of Classification Search**
USPC D14/248, 439, 203.3–203.7, 217, 240,
D14/447, 250, 251–253, 238.1, 440;
D3/201, 218, 247, 269, 273, 301, 303;
D13/103, 107–108, 119
CPC H04B 1/3888; H04M 1/0283; H04M 1/0202;
A45C 1/06; A45C 2011/002; A45C 11/00;
A45C 13/02; A45F 2005/026; A45F
2200/0525; A45F 2200/0516
See application file for complete search history.

8,517,172 B1	8/2013	Chang	
8,706,176 B1	4/2014	Jia	
D706,254 S	6/2014	Chang	
D709,871 S	7/2014	Lee	
D721,071 S	1/2015	Nelson	
9,049,283 B1	6/2015	Kim	
9,185,954 B2	11/2015	Cheung	
D749,068 S	2/2016	Zaborski	
D749,535 S	2/2016	Joung	
D749,594 S	2/2016	Kim	
D753,099 S	4/2016	Kim	
D755,764 S	5/2016	Hong	
D755,772 S	5/2016	Sasaki	
D756,339 S	5/2016	Tussy	
D756,340 S	5/2016	Babichenko	
D756,343 S	5/2016	Wall et al.	
D756,909 S	5/2016	Gupta	
D756,977 S	5/2016	Schriefer	
D756,978 S	5/2016	Addonisio	
D756,980 S	5/2016	Beeman	
D757,703 S	5/2016	Kanazawa	
D759,641 S	6/2016	Lai et al.	
D759,642 S	6/2016	Chao	
D762,633 S	8/2016	Fife	
D765,634 S	9/2016	McCray et al.	
D765,635 S	9/2016	Chang	
D765,638 S	9/2016	Gaylord	
D765,640 S	9/2016	Bulkley	
D768,615 S	10/2016	Wang	
9,467,189 B2	10/2016	Day et al.	
D771,028 S	11/2016	Kim	
D771,607 S	11/2016	Kim	
D771,608 S *	11/2016	Kim	D14/250
D772,209 S *	11/2016	Kim	D14/250
D772,858 S	11/2016	Hu	
9,503,147 B2	11/2016	Witter et al.	
D776,104 S	1/2017	Tien	
D777,155 S *	1/2017	Kim	D14/250
D777,156 S *	1/2017	Kim	D14/250
D777,160 S	1/2017	Kim	
9,545,140 B1	1/2017	Johnson et al.	
D778,898 S *	2/2017	Kim	D14/250
D780,167 S	2/2017	Tien	
D786,851 S *	5/2017	Kim	D14/250
D786,852 S *	5/2017	Kim	D14/250
D787,491 S *	5/2017	Kim	D14/250
D787,492 S *	5/2017	Kim	D14/250
D791,755 S *	7/2017	Kim	D14/250
D796,497 S *	9/2017	Kim	D14/250
D800,713 S *	10/2017	Kim	D14/250
D803,206 S *	11/2017	Kim	D14/250
2009/0017883 A1	1/2009	Lin	
2011/0050606 A1	3/2011	Zhang	

(56) **References Cited**
U.S. PATENT DOCUMENTS

D613,761 S	4/2010	Jones
D613,762 S	4/2010	Jones
D613,763 S	4/2010	Jones
D614,668 S	4/2010	Jones
D619,361 S	7/2010	Andre
D624,908 S	10/2010	Huskinson
D636,387 S	4/2011	Willes
D646,265 S	10/2011	Fathollahi
D663,294 S	7/2012	Buxton
D676,035 S	2/2013	Chang
D679,271 S	4/2013	Liu
D681,615 S	5/2013	Fathollahi



2013/0077211	A1	3/2013	Wang	
2013/0126531	A1	5/2013	Hynecek	
2014/0262855	A1	9/2014	Gandhi	
2014/0360892	A1	12/2014	Lin	
2015/0156297	A1	6/2015	Crawford	
2015/0335116	A1	11/2015	Kim	
2016/0028430	A1	1/2016	Crawford	
2016/0101902	A1*	4/2016	Kim	F16M 11/00 206/45.23
2016/0204817	A1*	7/2016	Kim	H04B 1/3888 455/575.8
2016/0285301	A1*	9/2016	Kim	H02J 7/025
2016/0374443	A1*	12/2016	Kim	A45C 11/182 206/38
2017/0150792	A1*	6/2017	Kim	B08B 3/022
2017/0230072	A1*	8/2017	Kim	H04B 1/3888

OTHER PUBLICATIONS

Spigen Tough Armor Samsung Galaxy S8 Plus Case, earliest customer review date: Apr. 28, 2017, URL:<<https://www.mobilefun.co.uk/spigen-tough-armor-samsung-galaxy-s8-plus-case-gunmetal-63043>>, retrieved from internet on Nov. 30, 2017.*

Spigen Tough Armor case for the Galaxy S7, published on May 22, 2016, URL:<<https://www.androidcentral.com/spigen-tough-armor-case-galaxy-s7>>, retrieved from internet on Apr. 14, 2018.*

Spigen Slim Armor case for Galaxy S7 edge, published on May 20, 2016, URL:<<https://www.androidcentral.com/review-spigen-slim-armor-case-galaxy-s7-edge>>, retrieved from internet on Apr. 16, 2018.*

A Quick Look at Spigen PH's Samsung Galaxy S6 Protective Cases, published on Apr. 14, 2015, URL:<<http://www.technobaboy.com/2015/04/14/quick-look-at-spigen-phs-samsung-galaxy-s6-protective-cases/>>, retrieved from internet on Apr. 14, 2018.*

Spigen Tough Armor Samsung Galaxy S6 Edge Case Hands on Review, published on Apr. 19, 2015, URL:<<https://www.youtube.com/watch?v=2kO5HEybDqY>>, retrieved from internet on Apr. 14, 2018.*

“Spigen Tough Armor Galaxy S5 Case with Extreme Heavy Duty Protection and Air Cushion Technology for Samsung Galaxy S5 2014—Gunmetal”, https://www.amazon.com/Spigen-Extreme-Protection-Cushion-Technology/dp/B00I3UWDV8/ref=sr_1_1?ie=UTF8&qid=1488826876&sr=8-1&keywords=spigen+galaxy+s5+tough+armor, Earliest review date of Mar. 9, 2014.

“Spigen Tough Armor iPhone SE / 5S / 5 Case with Extreme Heavy Duty Protection and Air Cushion Technology for iPhone SE / iPhone 5S / iPhone 5—Metal Slate”, https://www.amazon.com/dp/B00DMKGPP4/ref=twister_B00W6SVMTM?_encoding=UTF8&psc=1, Earliest review date of Aug. 1, 2013.

“Spigen Tough Armor iPhone 6 Case with Extreme Heavy Duty Protection and Air Cushion Technology for iPhone 6S / iPhone 6—Gunmetal”, https://www.amazon.com/Spigen-Extreme-Protection-Cushion-Technology/dp/B00LL60JU8/ref=sr_1_2?ie=UTF8, Earliest review date of Aug. 14, 2014.

“Spigen Tough Armor Galaxy S6 Case with Kickstand and Air Cushion Techonology for Galaxy S6 2015—Metal Slate”, <https://www.amazon.com/dp/B00QU4PP46>, Earliest review date of Mar. 23, 2015.

“Spigen Tough Armor Galaxy S7 Case with Extreme Heavy Duty Protection and Air Cushion Technology for Samsung Galaxy S7 2016—Gunmetal”, <https://www.amazon.com/dp/B01A7ID3PS>, Earliest review date of Feb. 25, 2016.

* cited by examiner

Primary Examiner — Carla J Wright
(74) Attorney, Agent, or Firm — Heedong Chae; Lucem, PC

(57) CLAIM

The ornamental design for a case for electronic communications device, as shown and described.

DESCRIPTION

FIG. 1 is a front perspective view of a case for electronic communications device showing our new design; FIG. 2 is a rear perspective view thereof; FIG. 3 is a front elevational view thereof; FIG. 4 is a rear elevational view thereof; FIG. 5 is a left side elevational view thereof; FIG. 6 is a right side elevational view thereof; FIG. 7 is a top plan view thereof; FIG. 8 is a bottom plan view thereof; FIG. 9 is a rear perspective view thereof showing the support leg in an extended position; FIG. 10 is an exploded front perspective view thereof showing the components of the case separated for clarity of disclosure; FIG. 11 is an exploded rear perspective view thereof showing the components of the case separated for clarity of disclosure; FIG. 12 is a front perspective view of the inner shell component of the case shown separately for clarity of disclosure; FIG. 13 is a rear perspective view thereof shown separately for clarity of disclosure; FIG. 14 is a front perspective view of the support leg component of the case shown separately for clarity of disclosure; FIG. 15 is a rear perspective view thereof shown separately for clarity of disclosure; FIG. 16 is a front perspective view of the outer frame component of the case shown separately for clarity of disclosure; and, FIG. 17 is a rear perspective view thereof shown separately for clarity of disclosure.

The interior of the case shown in FIGS. 1, 3, 10 and 12 (specifically, that region within the innermost of the solid lines around the outer edge of the interior cavity and extending to the outermost of the solid lines around the interior of the rectangular rear opening) forms no part of the claimed design. Although the case for electronic communications device, in which the claimed design is embodied, consists of an inner shell, an outer frame, and a support leg, the claim is directed to the ornamental appearance of the case for electronic communications device in its entirety and does not extend to the ornamental appearance of each of the individual components of the case for electronic communications device.

The broken lines throughout the drawing figures depict portions of the case for electronic communications device that form no part of the claimed design. The broken lines and regions bounded by broken lines form no part of the claimed design.

FIG. 1

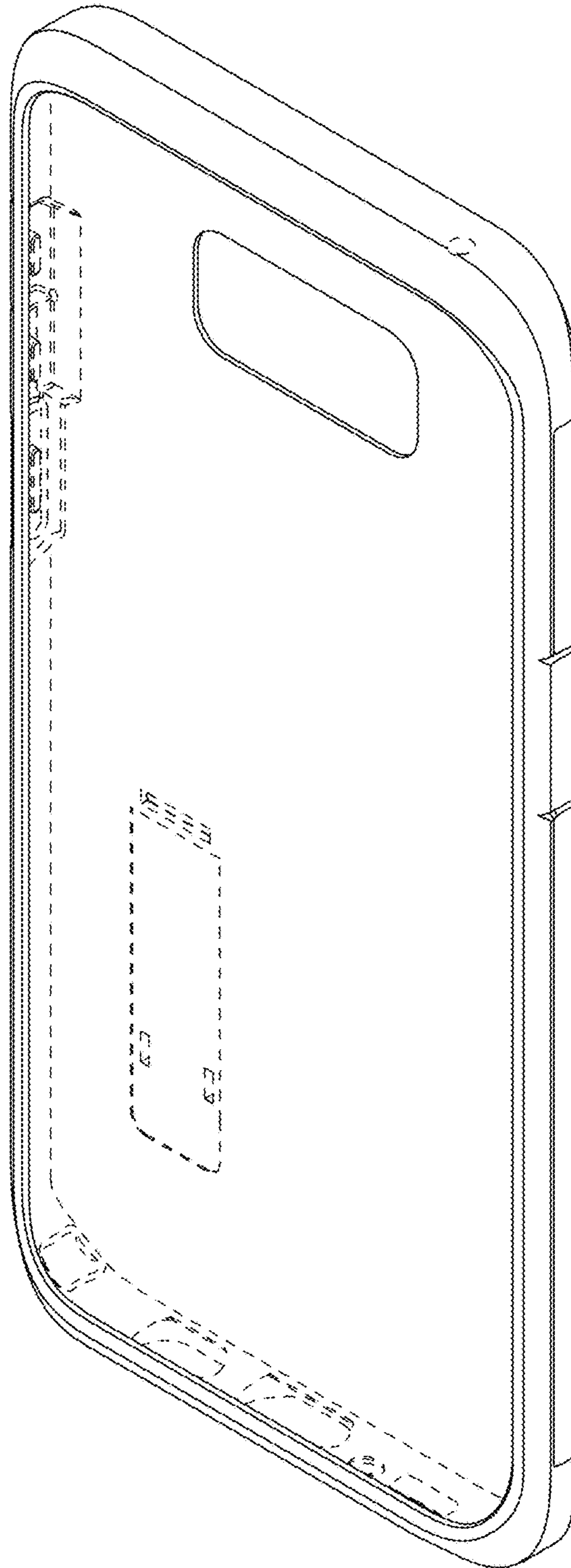


FIG. 2

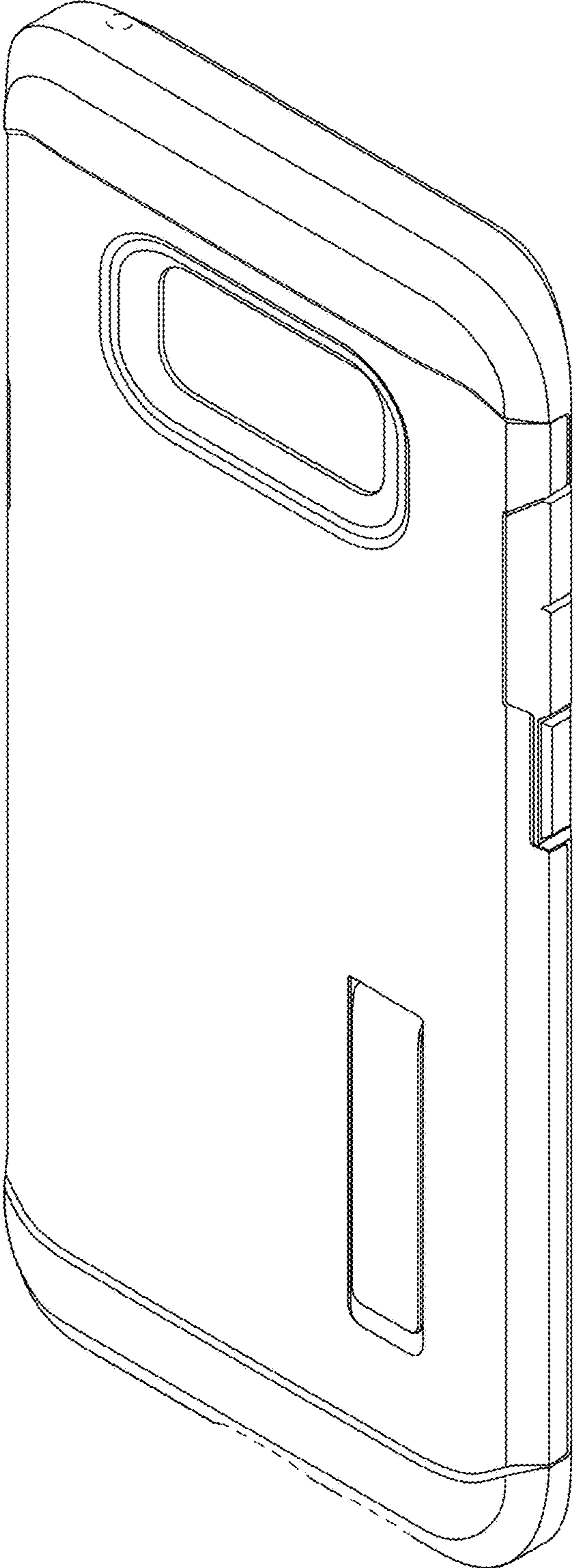


FIG. 3

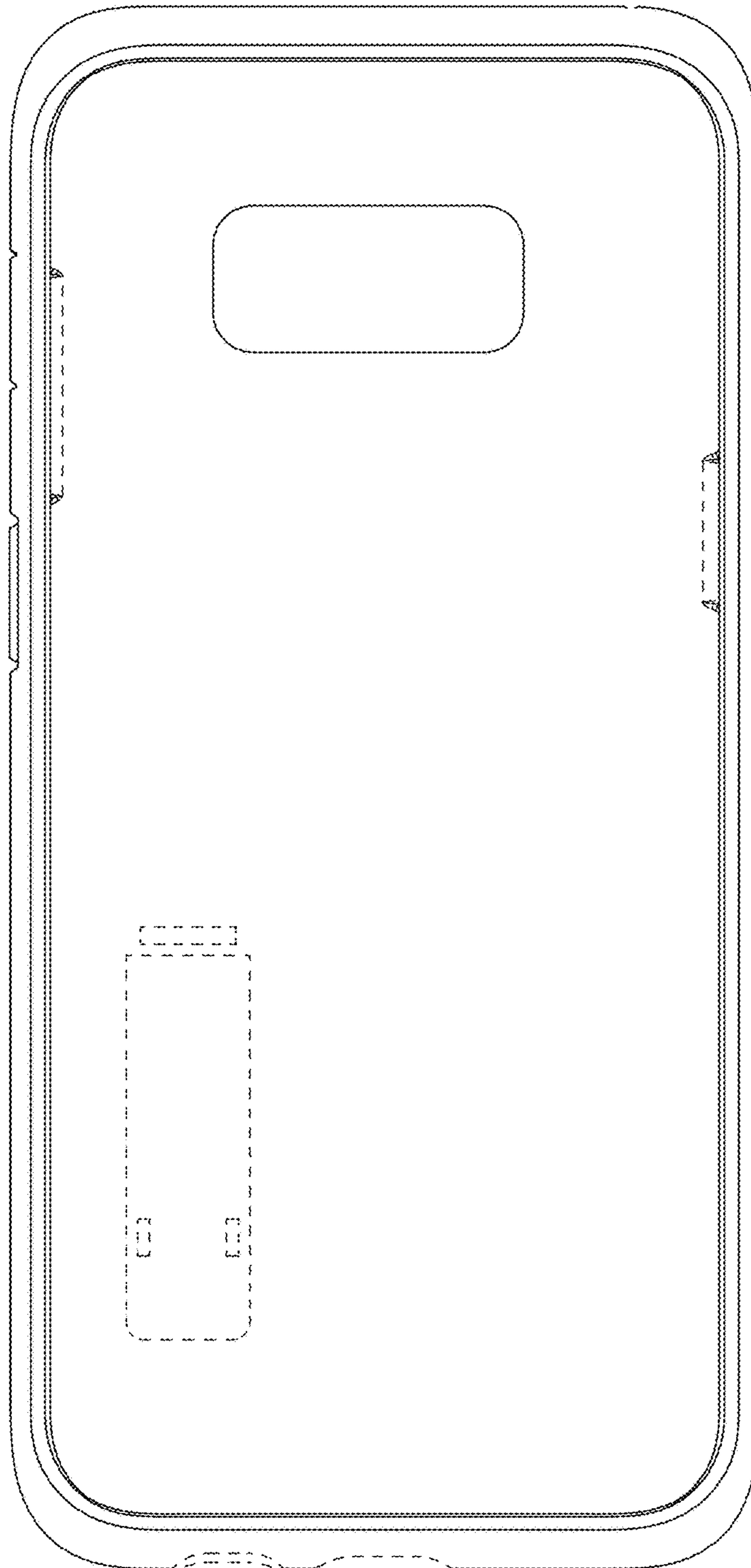


FIG. 4

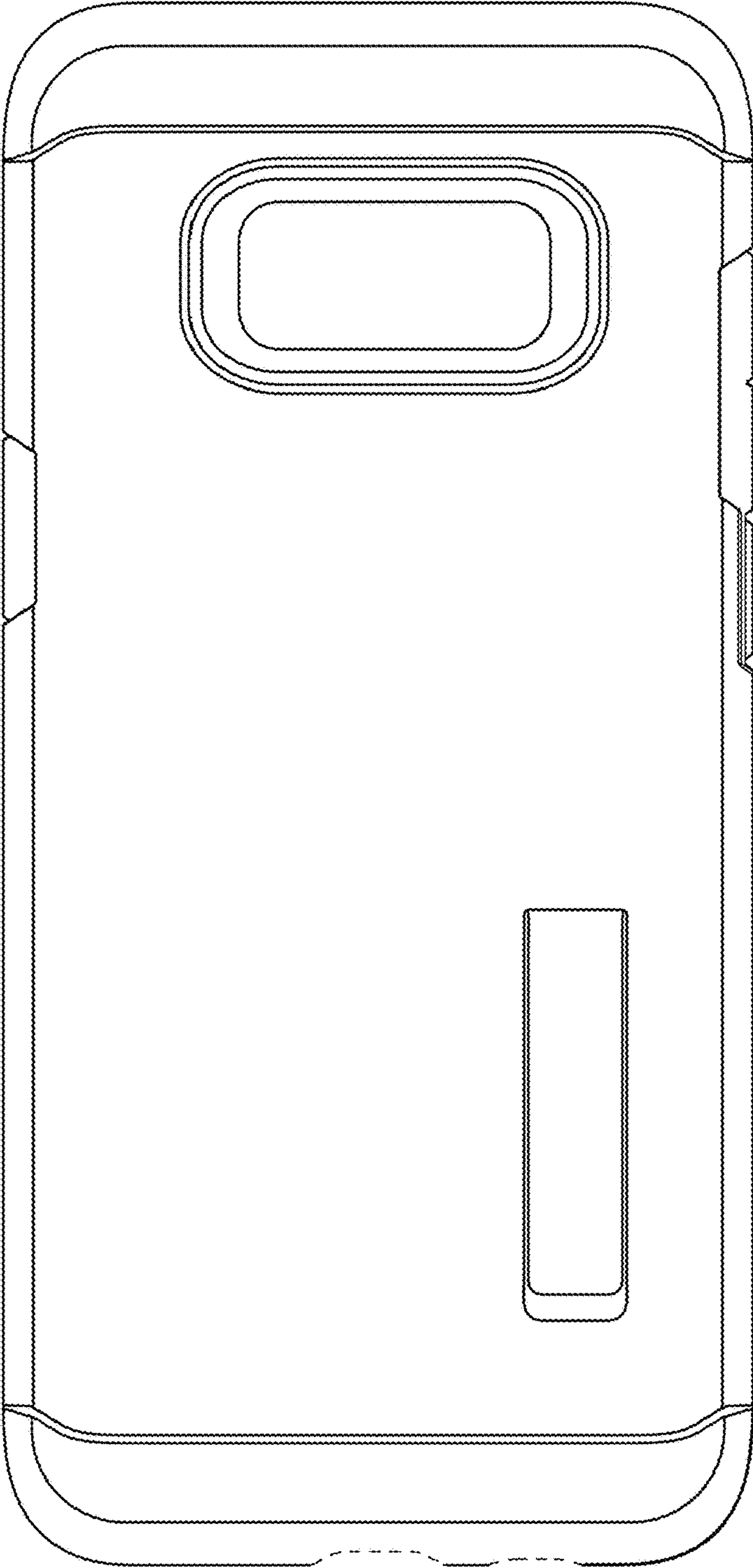


FIG. 5

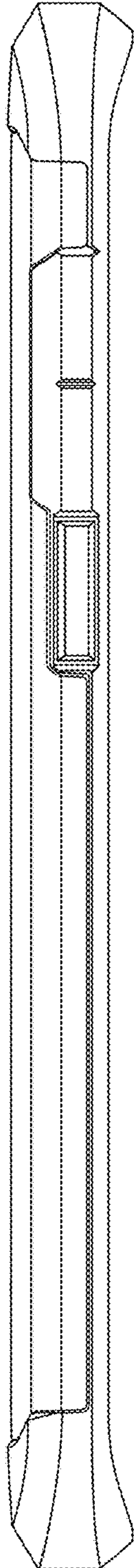


FIG. 6

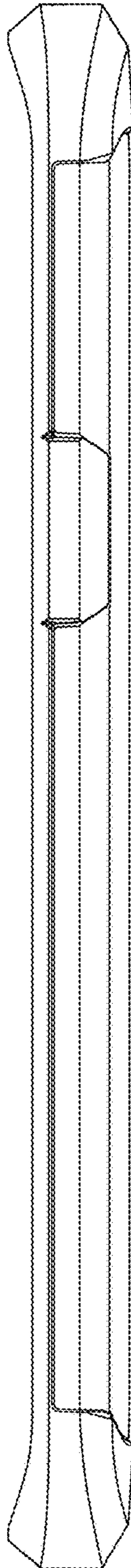


FIG. 7

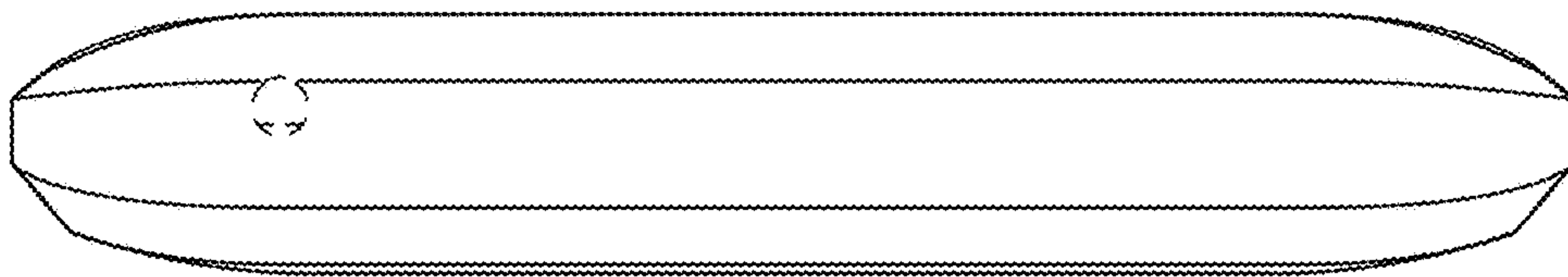


FIG. 8

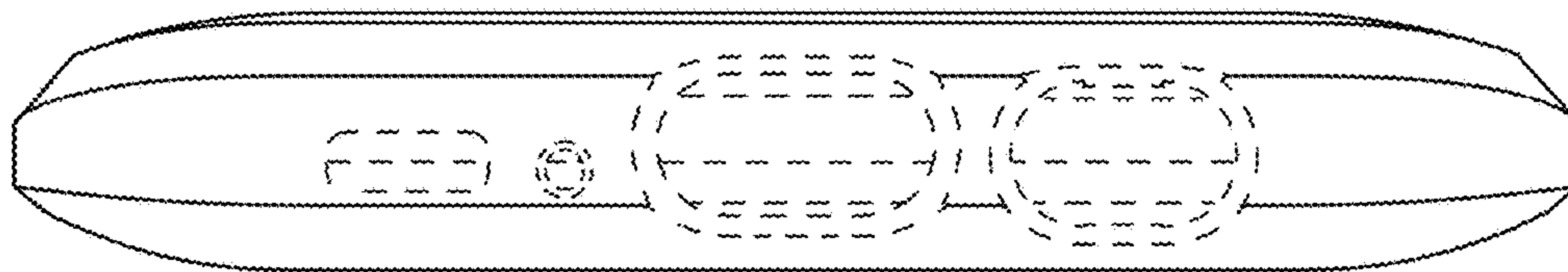


FIG. 9

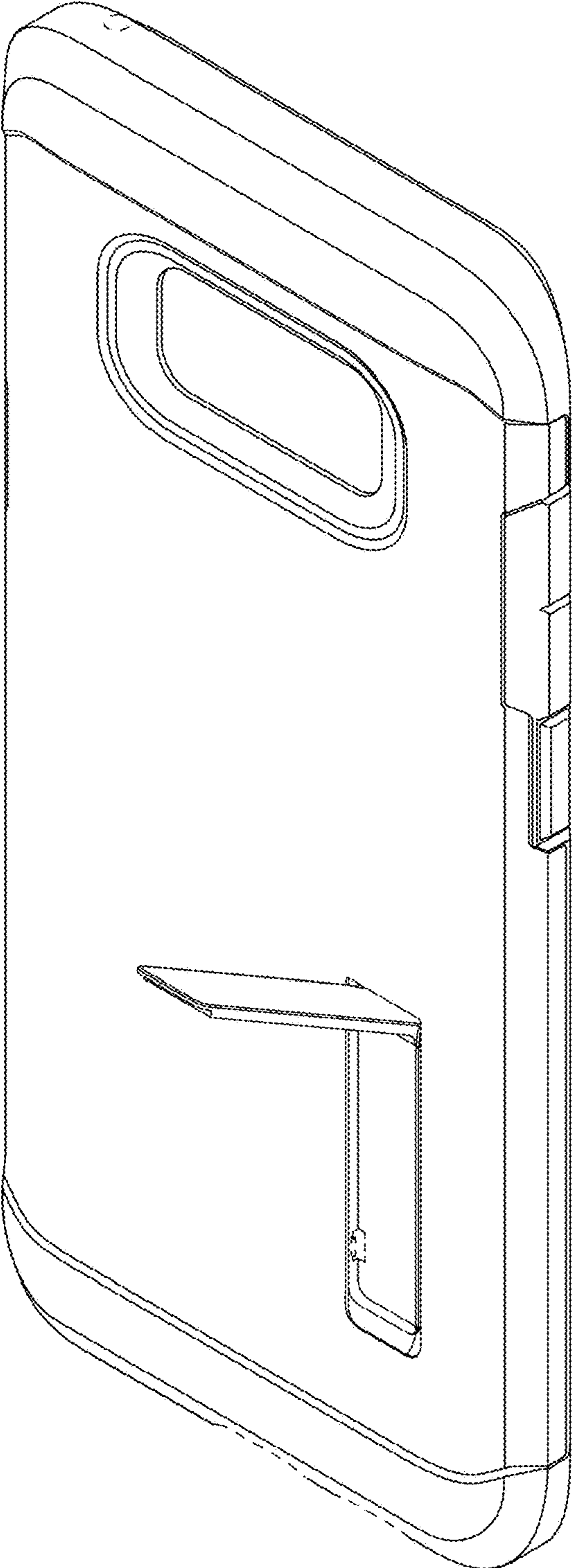


FIG. 10

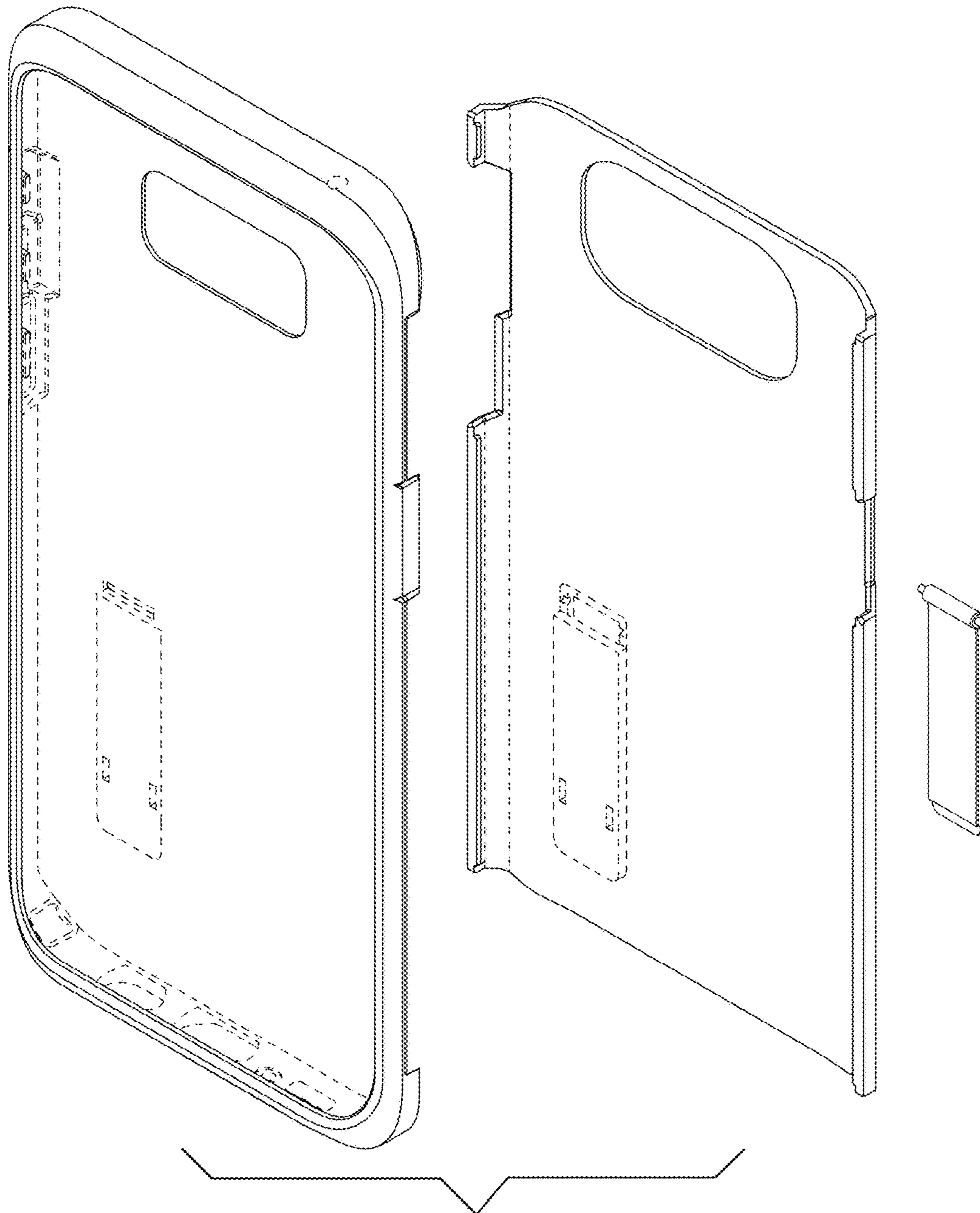


FIG. 11

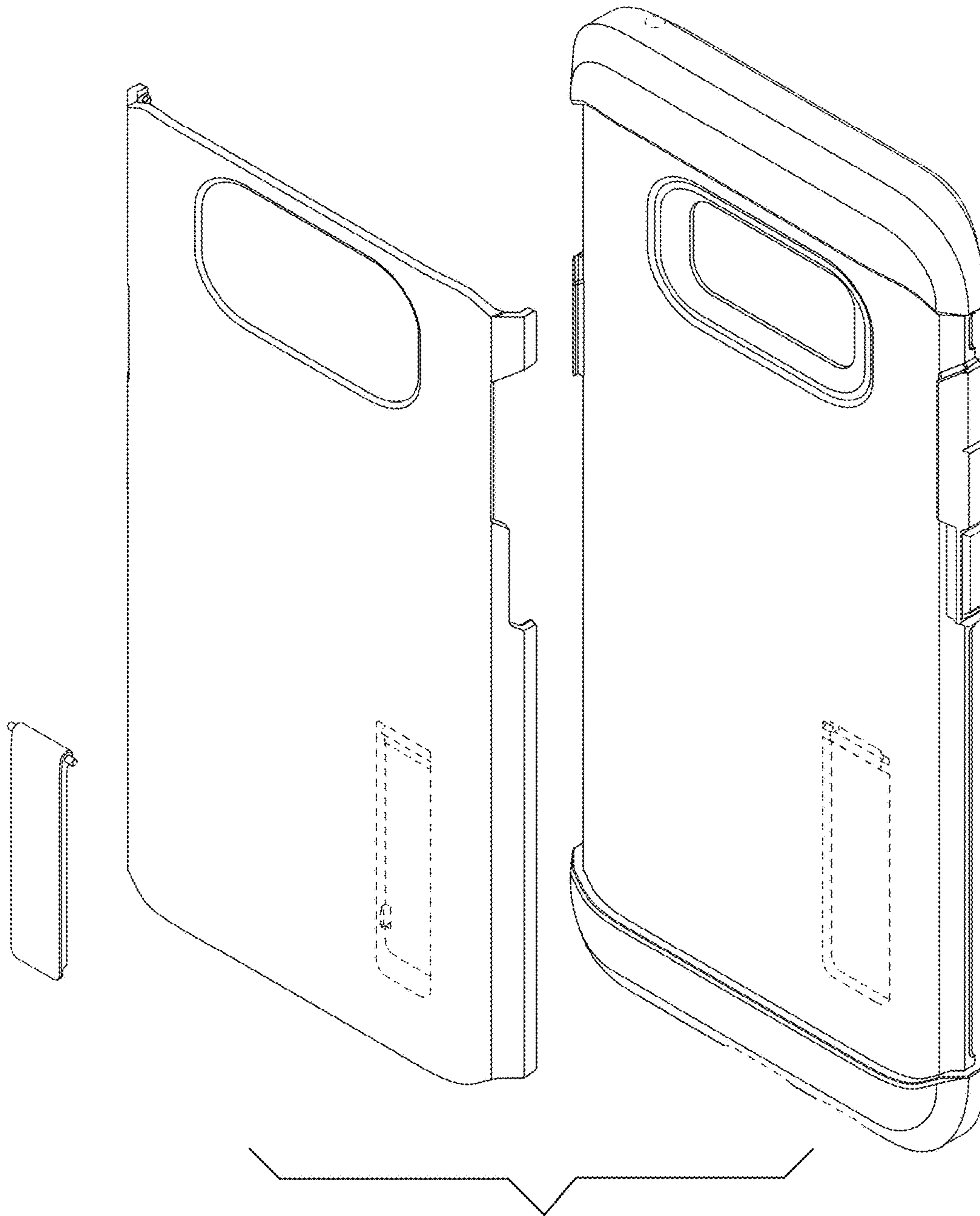


FIG. 12

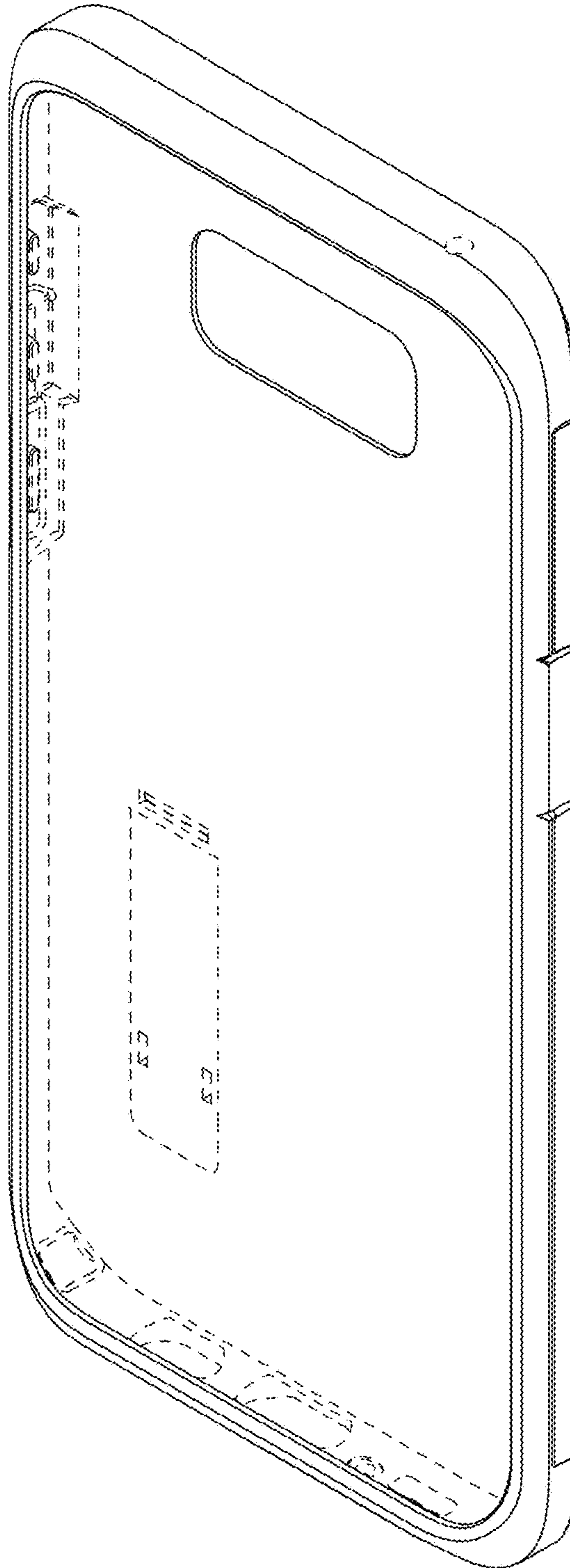


FIG. 13

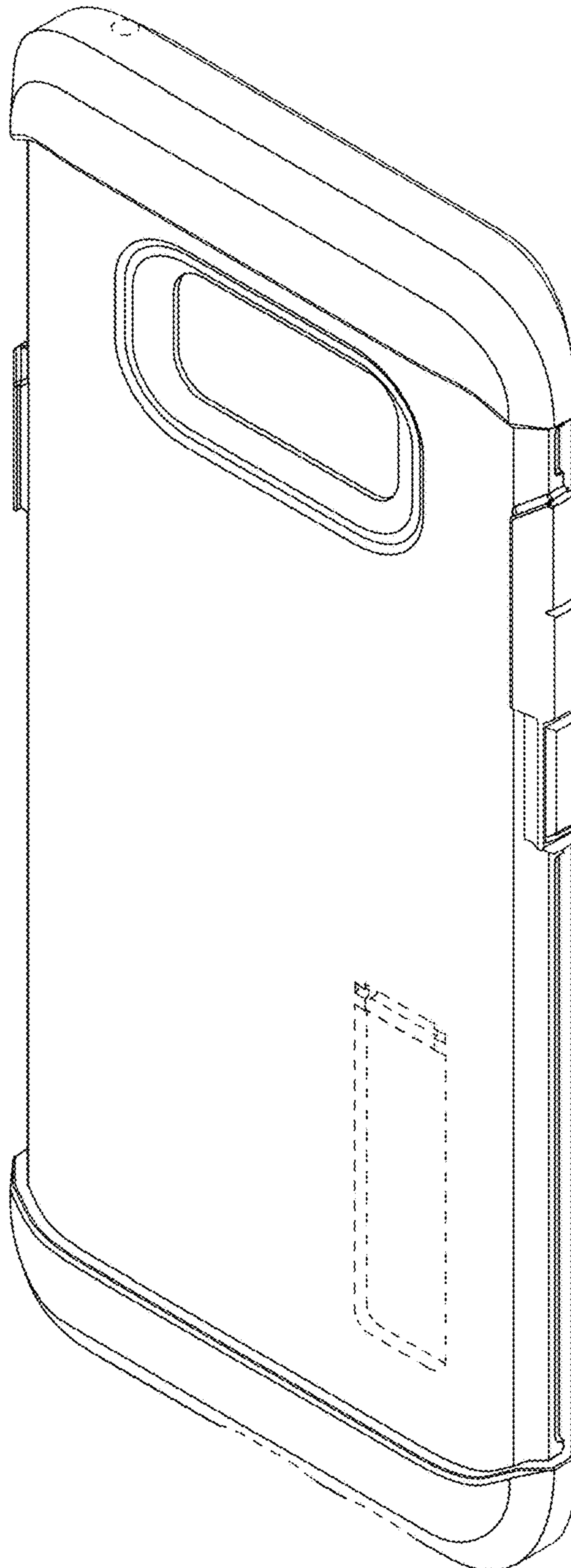


FIG. 14

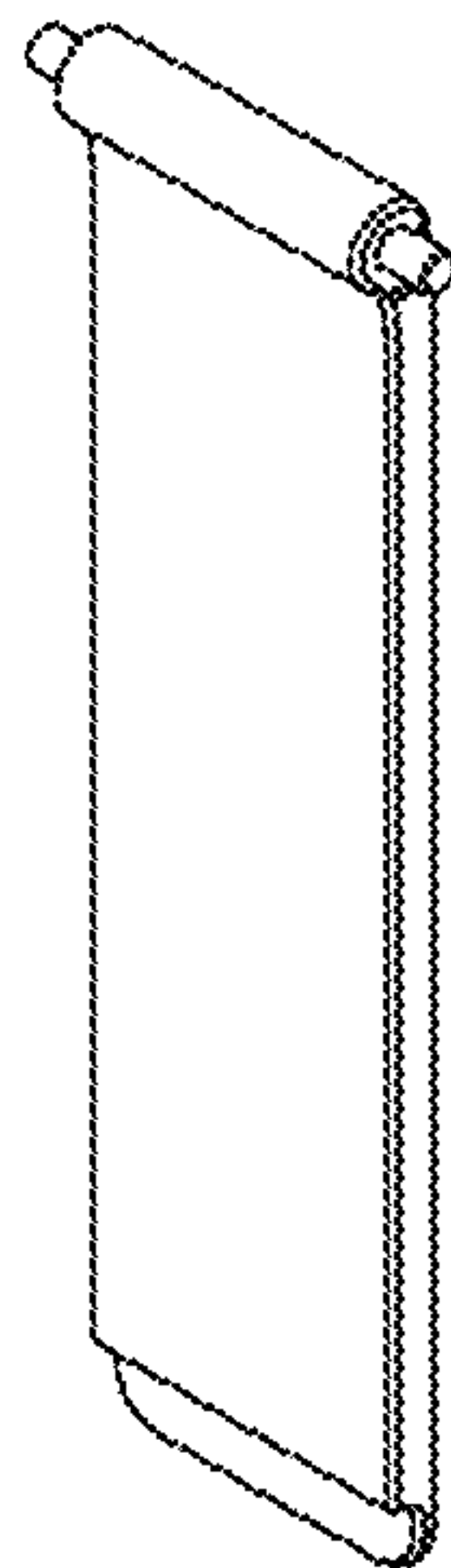


FIG. 15

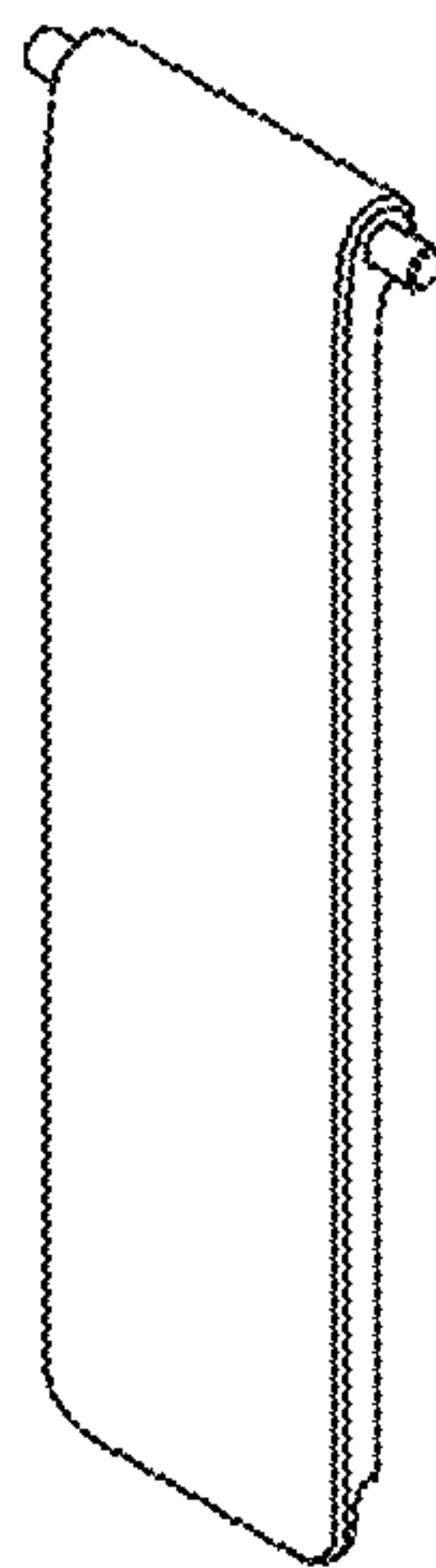


FIG. 16

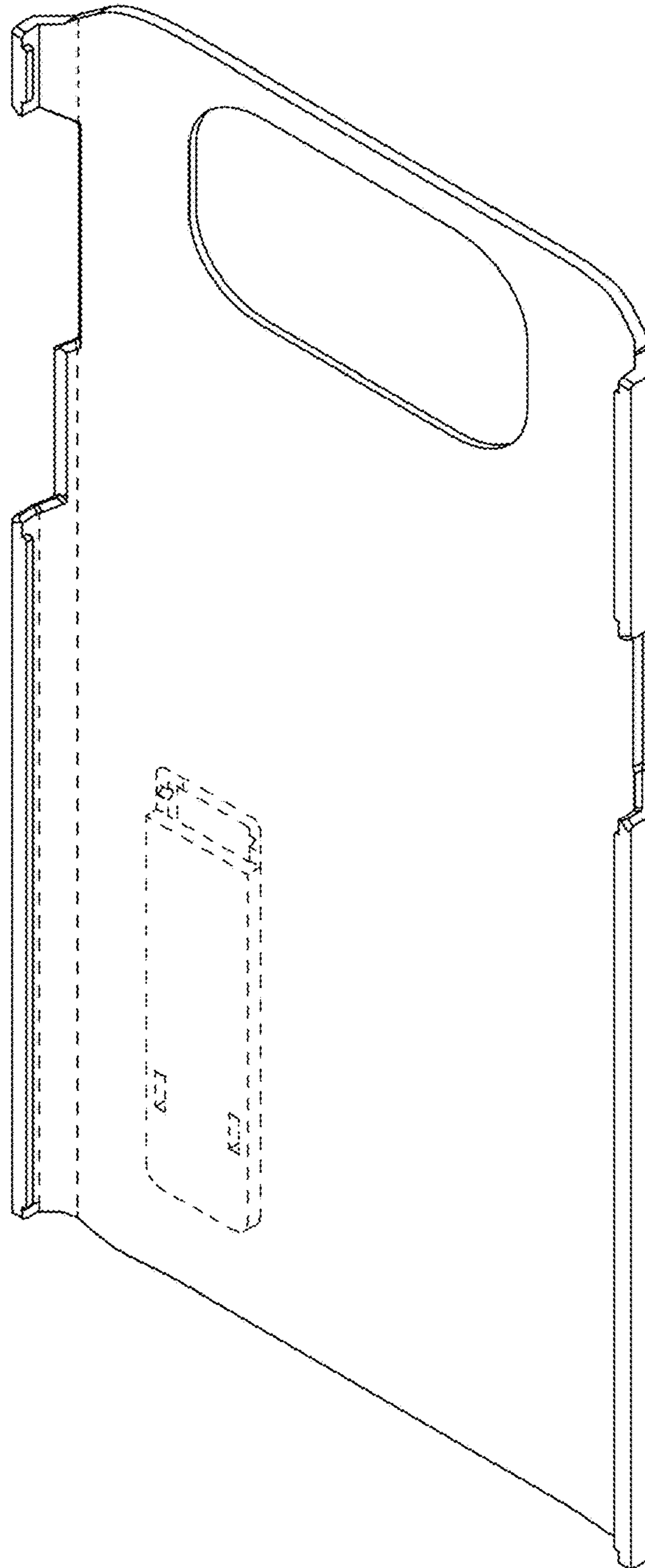


FIG. 17

