



US00D828345S

(12) **United States Design Patent** (10) **Patent No.:** **US D828,345 S**  
**Kim et al.** (45) **Date of Patent:** **\*\* Sep. 11, 2018**

(54) **COVER FOR ELECTRONIC COMMUNICATIONS DEVICE**

*Primary Examiner* — Carla J Wright  
(74) *Attorney, Agent, or Firm* — McAndrews Held & Malloy, Ltd.

(71) Applicant: **Samsung Electronics Co., Ltd.**, Suwon-si (KR)

(72) Inventors: **Yoon Young Kim**, Seongnam-si (KR); **Jun Ho Jin**, Daegu (KR); **Ye Ran Ji**, Seoul (KR)

(57) **CLAIM**

The ornamental design for a cover for electronic communications device, as shown and described.

(73) Assignee: **SAMSUNG ELECTRONICS CO., LTD.**, Suwon-si (KR)

**DESCRIPTION**

(\*\*) Term: **14 Years**

FIG. 1 is a top left front perspective view of a cover for electronic communications device showing our new design; FIG. 2 is a front view thereof; FIG. 3 is a rear view thereof; FIG. 4 is a left-side elevation view thereof; FIG. 5 is a right-side elevation view thereof; FIG. 6 is a top plan view thereof; FIG. 7 is a bottom plan view thereof; FIG. 8 is a top cross-sectional view thereof, taken along line 8-8 of FIG. 2; FIG. 9 is an enlarged detail view of the upper encircled region in FIG. 1; FIG. 10 is an enlarged detail view of the lower encircled region in FIG. 1; FIG. 11 is an enlarged detail view of the encircled region in FIG. 2; FIG. 12 is an enlarged detail view of the encircled region in FIG. 4; and, FIG. 13 is an enlarged detail view of the encircled region in FIG. 8.

(21) Appl. No.: **29/522,168**

(22) Filed: **Mar. 27, 2015**

(30) **Foreign Application Priority Data**

Feb. 16, 2015 (KR) ..... 30-2015-0008477

(51) **LOC (11) Cl.** ..... **14-03**

(52) **U.S. Cl.**  
USPC ..... **D14/250**

(58) **Field of Classification Search**  
USPC ..... D14/248, 439, 203.3–203.7, 217, 240, D14/447, 251–253, 238.1, 250, 440;  
(Continued)

(56) **References Cited**

**U.S. PATENT DOCUMENTS**

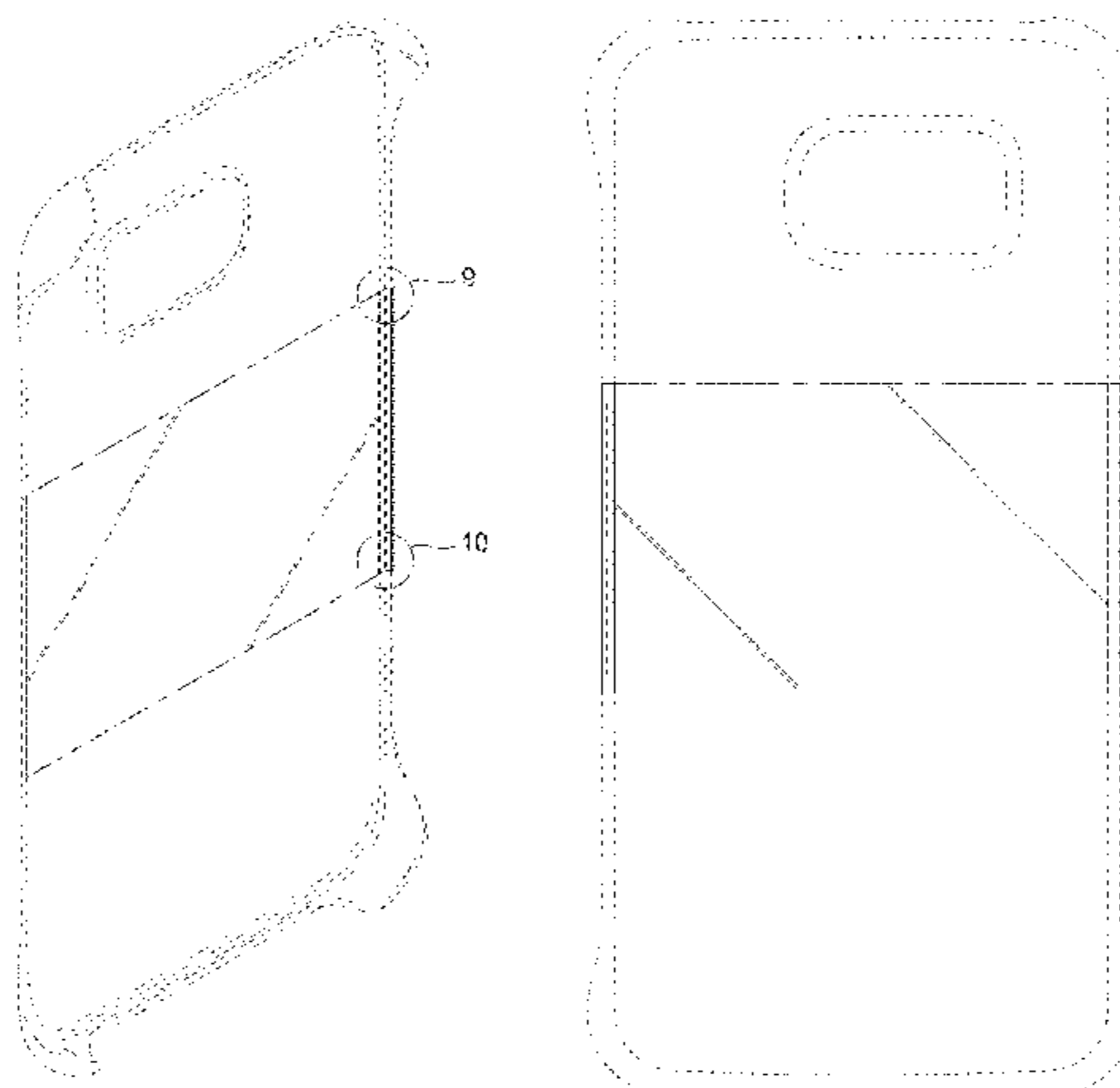
D641,348 S \* 7/2011 Kim ..... D14/250  
D645,462 S \* 9/2011 Choi ..... D14/253  
(Continued)

**OTHER PUBLICATIONS**

HTC Corporation introduced HTC Wildfire, URL:<<http://www.nationmultimedia.com/home/2010/08/23/business/HTC-Corporation-introduced-HT>>, retrieved from internet on Aug. 22, 2016.\*

The dashed broken lines in the drawing figures illustrate portions of the cover for electronic communications device that form no part of the claimed design. The dot-dash broken lines in the drawing figures represent the bounds of the claimed design. The dot-dot-dash broken line circles in FIGS. 1, 2, 4, 8, and 9-13 encircle regions of the cover for electronic communications device that are part of the claimed design and are shown on an enlarged scale in FIGS. 9-13. The broken lines in the drawing figures form no part of the claimed design.

(Continued)



The line marked **8-8** in FIG. **2** indicates the plane upon which the cross-sectional view in FIG. **8** is taken and forms no part of the claimed design.

**1 Claim, 9 Drawing Sheets**

(58) **Field of Classification Search**

USPC ..... D3/201, 218, 247, 269, 273, 301, 303;  
D13/103, 107-108, 119  
CPC ..... H04B 1/3888; H04M 1/0283; H04M  
1/0202; A45C 1/06; A45C 2011/002;  
A45C 11/00; A45C 13/02; A45F  
2005/026; A45F 2200/0525; A45F  
2200/0516

See application file for complete search history.

(56) **References Cited**

U.S. PATENT DOCUMENTS

8,016,107 B2 \* 9/2011 Emsky ..... A45C 11/00  
206/320  
D646,266 S \* 10/2011 Kim ..... D14/250

D652,829 S *	1/2012 Kim	.....	D14/250
D657,354 S *	4/2012 Kim	.....	D14/250
D665,809 S *	8/2012 Wang	.....	D14/248
D667,412 S *	9/2012 Wang	.....	D14/248
D674,800 S *	1/2013 Kim	.....	D14/440
D720,353 S *	12/2014 Nakamura	.....	D14/432
D723,531 S *	3/2015 Katzke	.....	D14/250
D724,066 S *	3/2015 Fathollahi	.....	D14/250
D743,402 S *	11/2015 Ehara	.....	D14/432
D743,403 S *	11/2015 Ehara	.....	D14/432
D748,086 S *	1/2016 Choe	.....	D14/250
D748,634 S *	2/2016 Hofer	.....	D14/440
D763,857 S *	8/2016 Dang	.....	D14/440
D765,626 S *	9/2016 Tattari	.....	D14/250
D778,365 S *	2/2017 Kott	.....	D20/43
D786,845 S *	5/2017 Kim	.....	D14/248
D786,859 S *	5/2017 Kim	.....	D14/341
D787,493 S *	5/2017 Kim	.....	D14/250
D787,495 S *	5/2017 Kim	.....	D14/250
D788,093 S *	5/2017 Lee	.....	D14/250
D789,342 S *	6/2017 Sirichai	.....	D14/250
D791,757 S *	7/2017 Kim	.....	D14/250

\* cited by examiner

FIG. 1

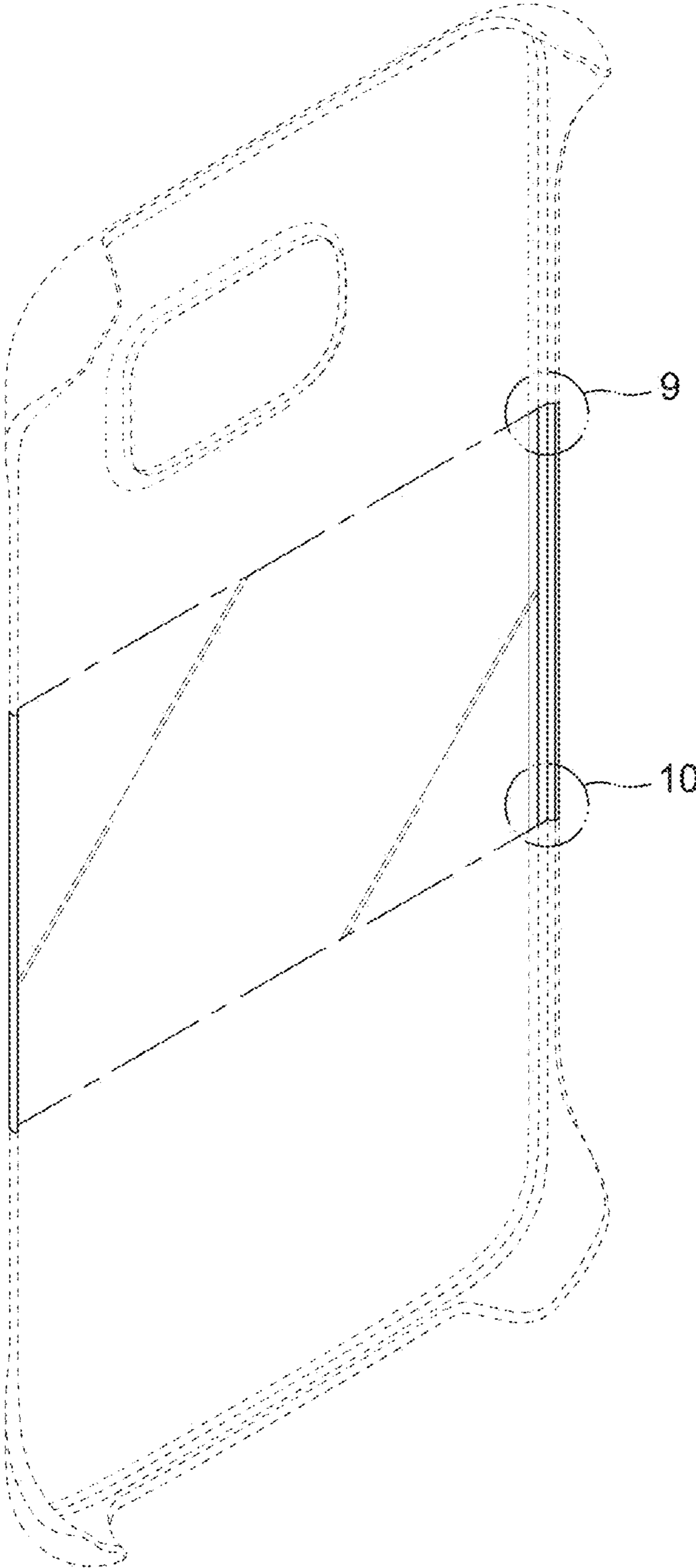


FIG.2

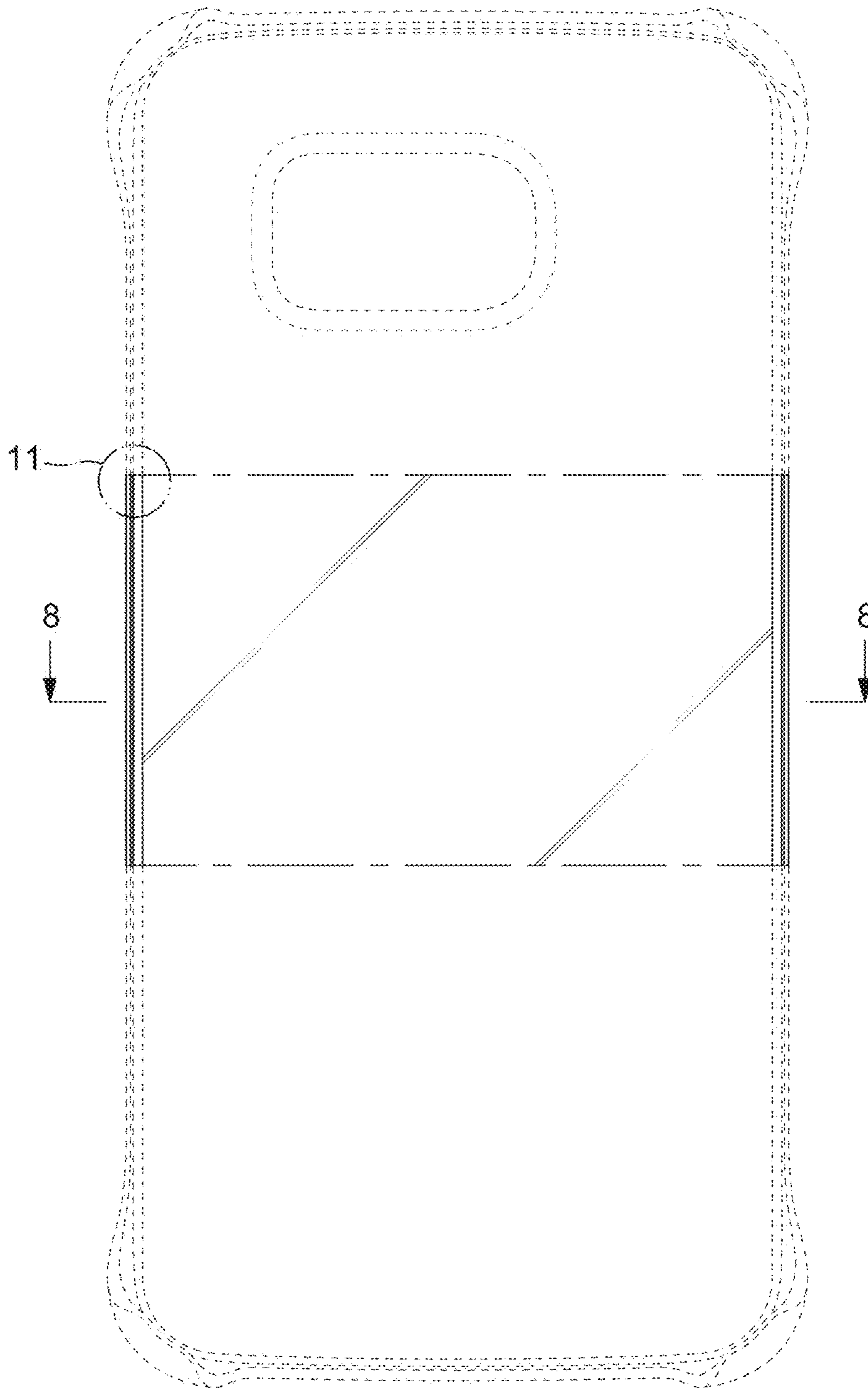


FIG.3

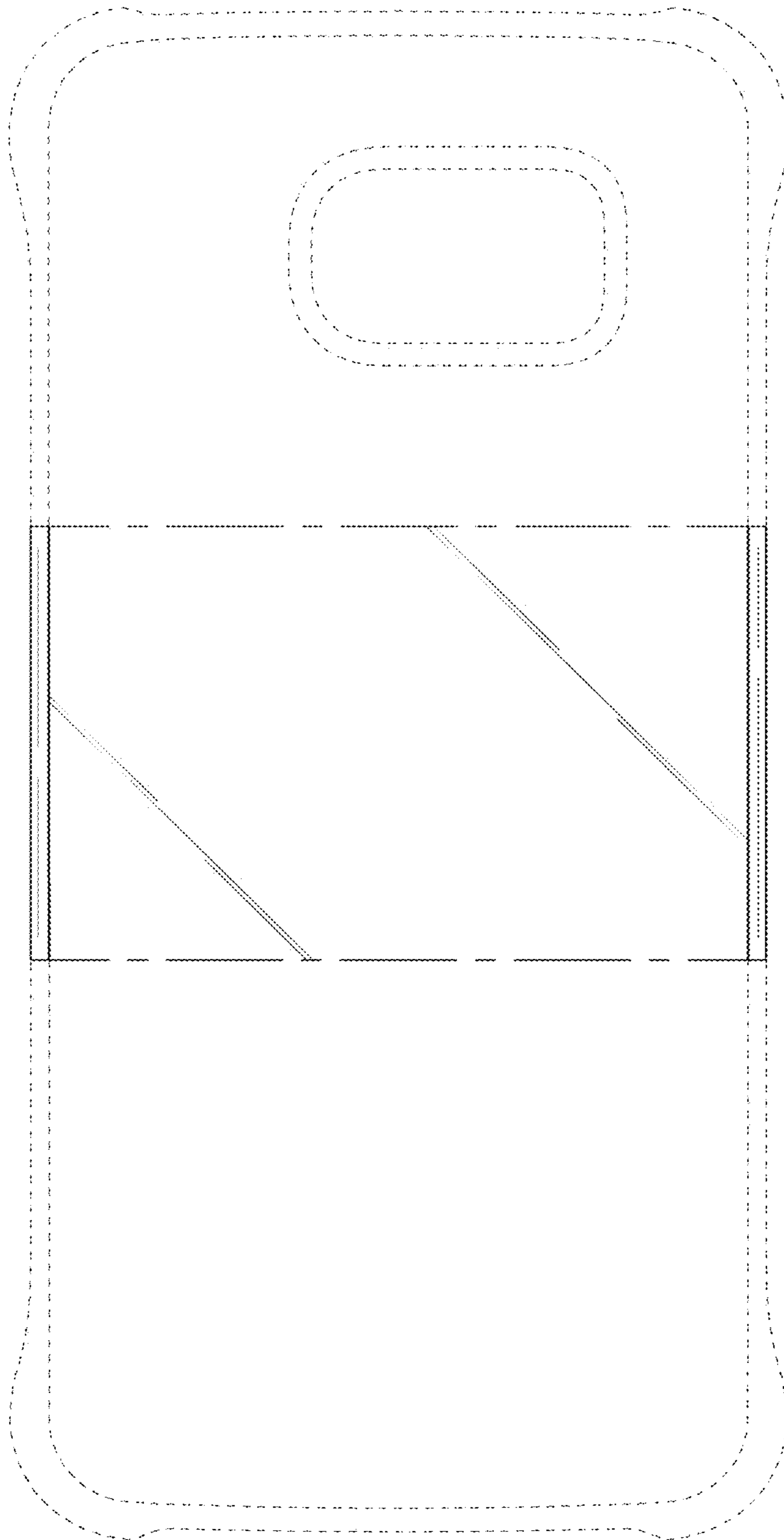


FIG.4

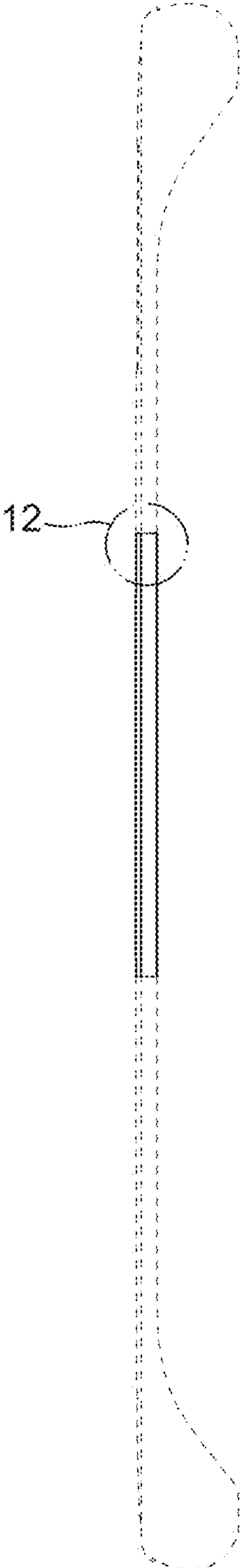


FIG.5





FIG.6

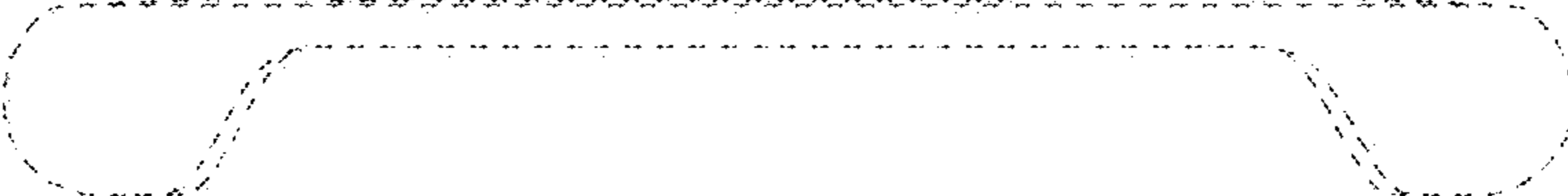


FIG.7

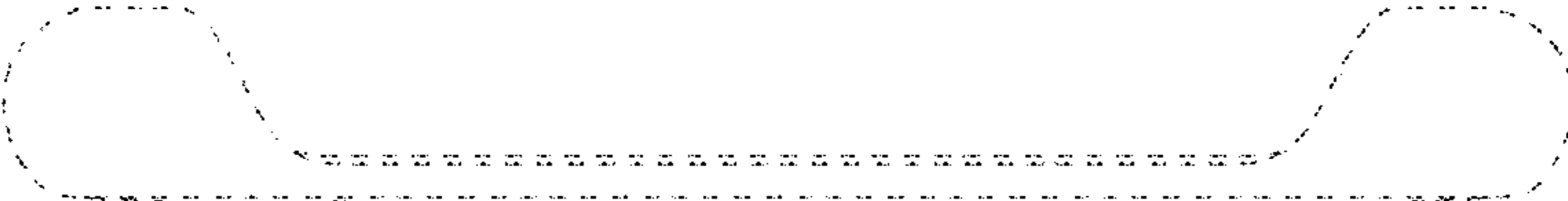


FIG.8

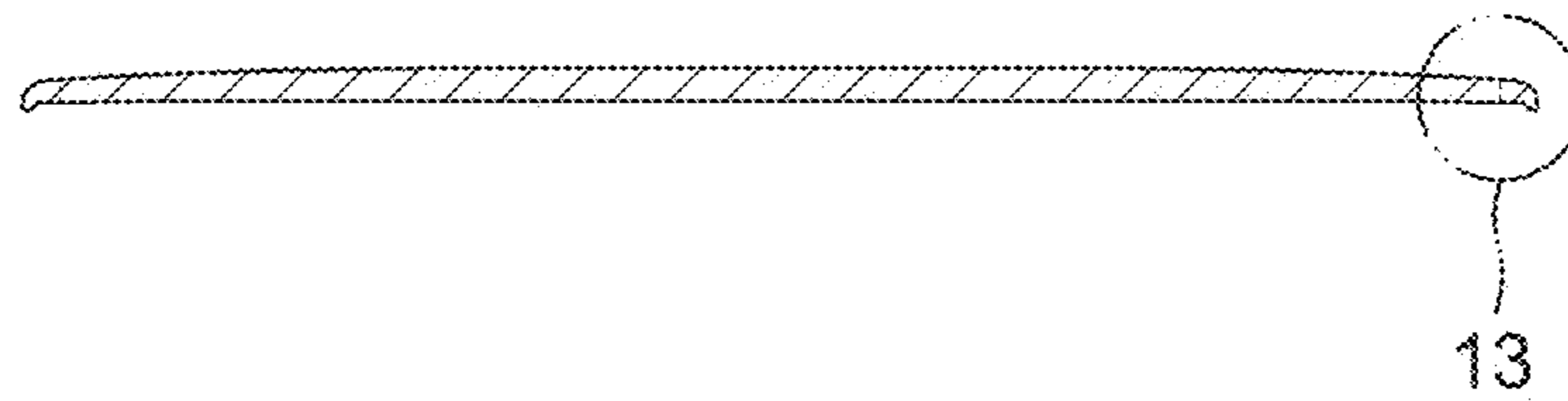




FIG.9

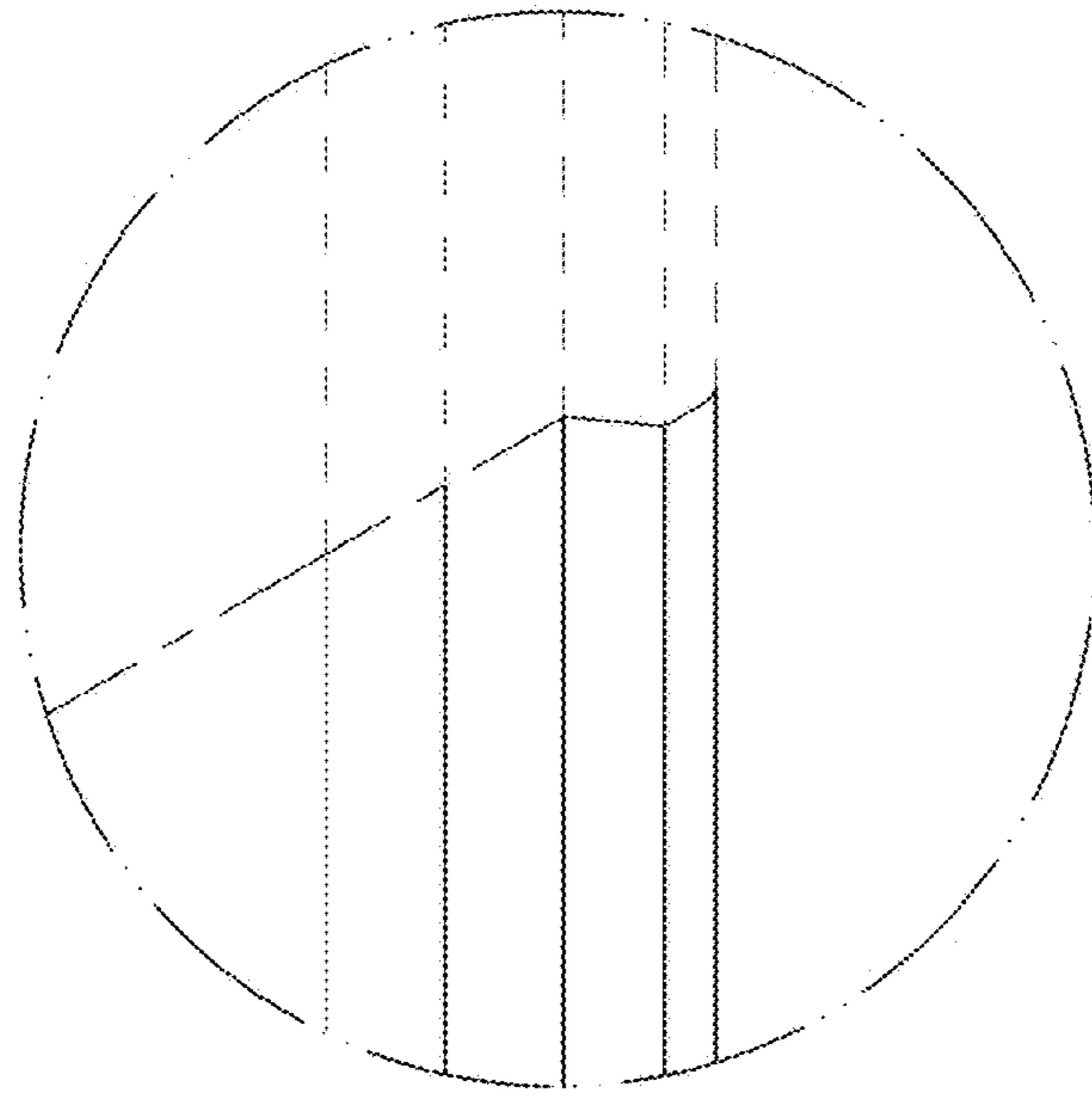


FIG.10

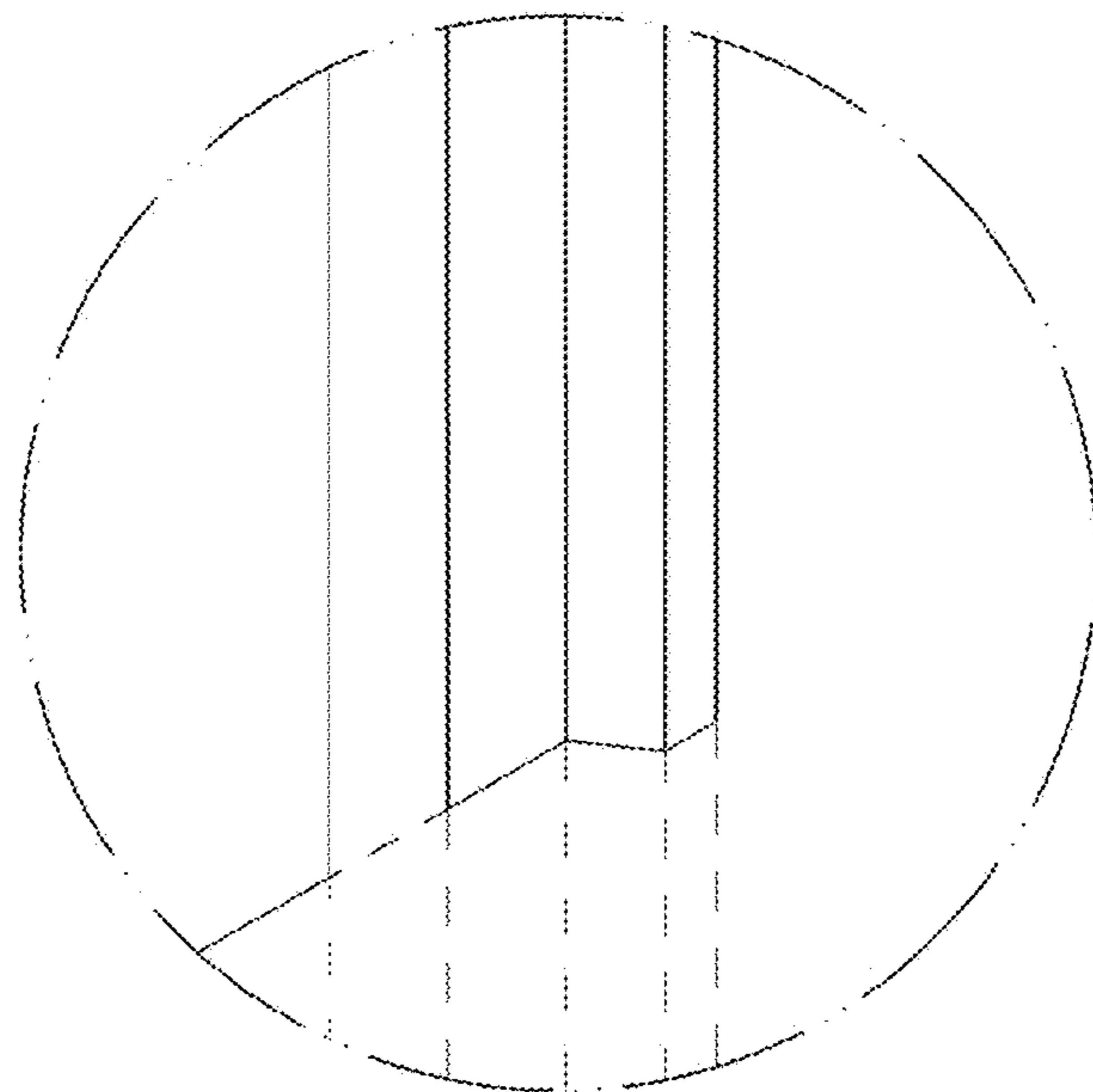


FIG.11

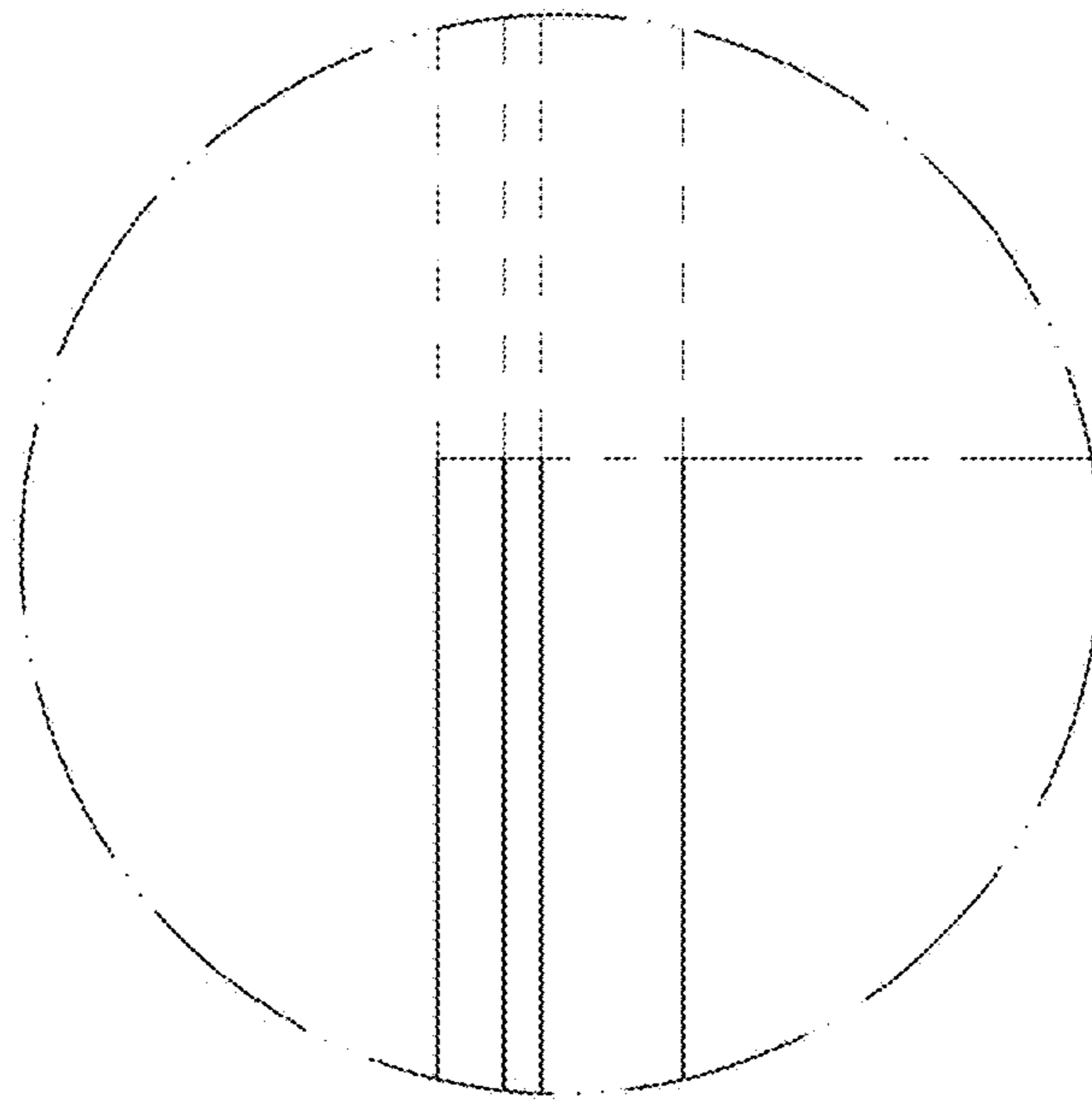


FIG.12

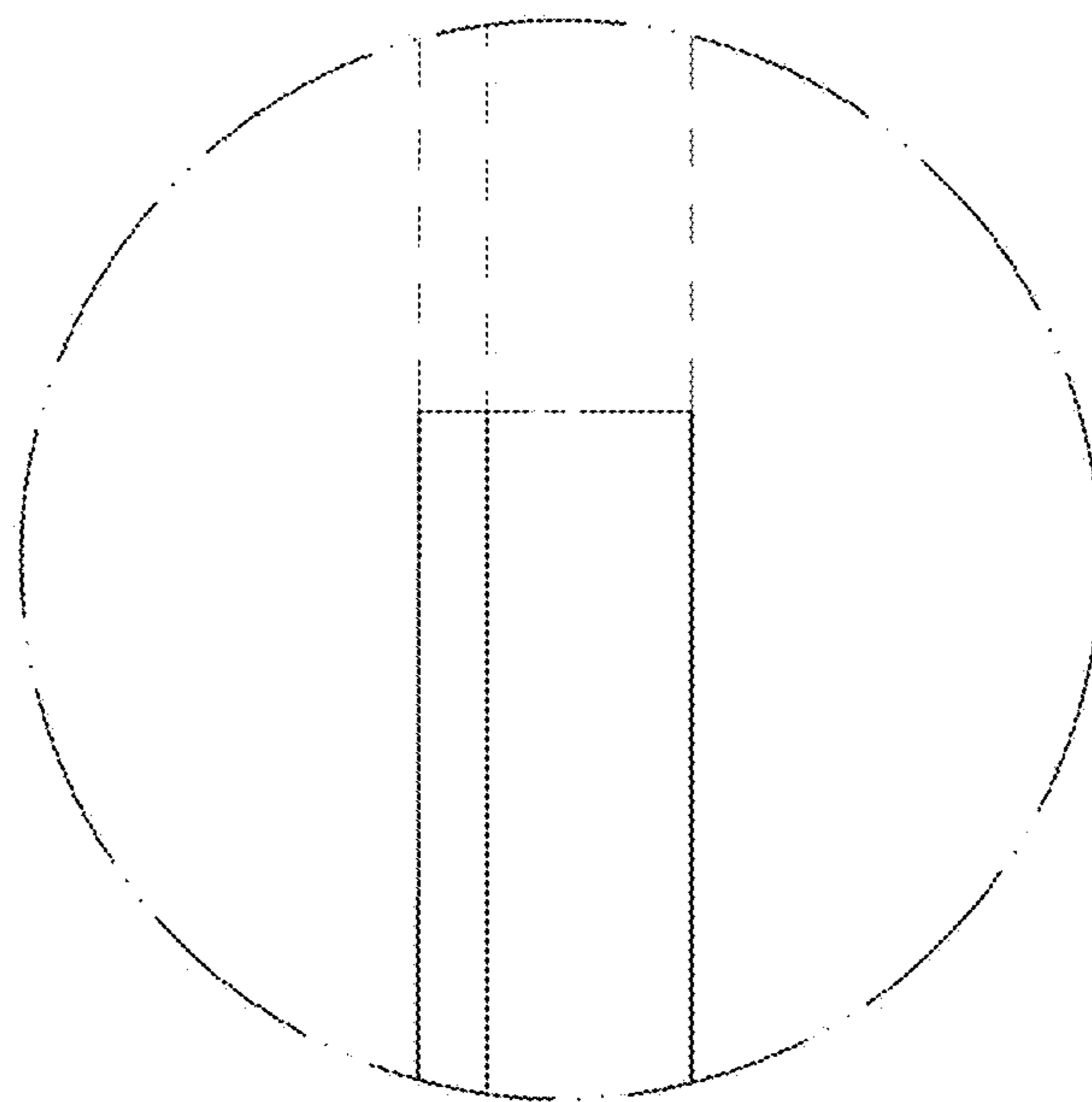


FIG.13

