



US00D828343S

(12) **United States Design Patent** (10) **Patent No.:** **US D828,343 S**
Seo et al. (45) **Date of Patent:** **** *Sep. 11, 2018**

(54) **MOBILE PHONE**

(71) Applicant: **LG ELECTRONICS INC.**, Seoul (KR)

(72) Inventors: **Kiyeal Seo**, Seoul (KR); **Seunghoon Ryu**, Seoul (KR); **Jinwan Bae**, Seoul (KR)

(73) Assignee: **LG ELECTRONICS INC.**, Seoul (KR)

(*) Notice: This patent is subject to a terminal disclaimer.

(**) Term: **15 Years**

(21) Appl. No.: **29/574,804**

(22) Filed: **Aug. 18, 2016**

(30) **Foreign Application Priority Data**

Feb. 19, 2016 (KR) 30-2016-0007809

(51) **LOC (11) Cl.** **14-03**

(52) **U.S. Cl.**
USPC **D14/248**

(58) **Field of Classification Search**
USPC D14/138 AA, 138 AB, 138 AC, 138 AD,
D14/138 C, 138 G, 138 R, 248, 341, 342,
(Continued)

(56) **References Cited**

U.S. PATENT DOCUMENTS

D337,462 S * 7/1993 LaVaute D15/138
D680,525 S * 4/2013 Deto D14/341
(Continued)

OTHER PUBLICATIONS

Probably the Most Beautiful Samsung Galaxy S5 Render is Here, With Folding Display, by Thyrstan on Concept Phones, Sep. 2,

2013, [online], [site visited Nov. 1, 2017]. Retrieved from url:https://www.concept-phones.com/samsung/beautiful-samsung-galaxy-s5-render-folding-display/*

(Continued)

Primary Examiner — Jeffrey D Asch

Assistant Examiner — Tracey J Bell

(74) *Attorney, Agent, or Firm* — Birch, Stewart, Kolasch & Birch, LLP

(57) **CLAIM**

The ornamental design for a mobile phone, as shown and described.

DESCRIPTION

FIG. 1 is a perspective view of a mobile phone showing our new design;

FIG. 2 is a front view thereof;

FIG. 3 is a rear view thereof;

FIG. 4 is a left side view thereof;

FIG. 5 is a right side view thereof;

FIG. 6 is a top plan view thereof;

FIG. 7 is a bottom plan view thereof;

FIG. 8 is a perspective view thereof showing the state that when folding the subject design in half, the back cover part is pushed aside and then the transparent part on the front left side can be seen at the back side;

FIG. 9 is a perspective view thereof in which the subject design is folded in half;

FIG. 10 is a front view of FIG. 9;

FIG. 11 is a rear view of FIG. 9;

FIG. 12 is a left side view of FIG. 9;

FIG. 13 is a right side view of FIG. 9;

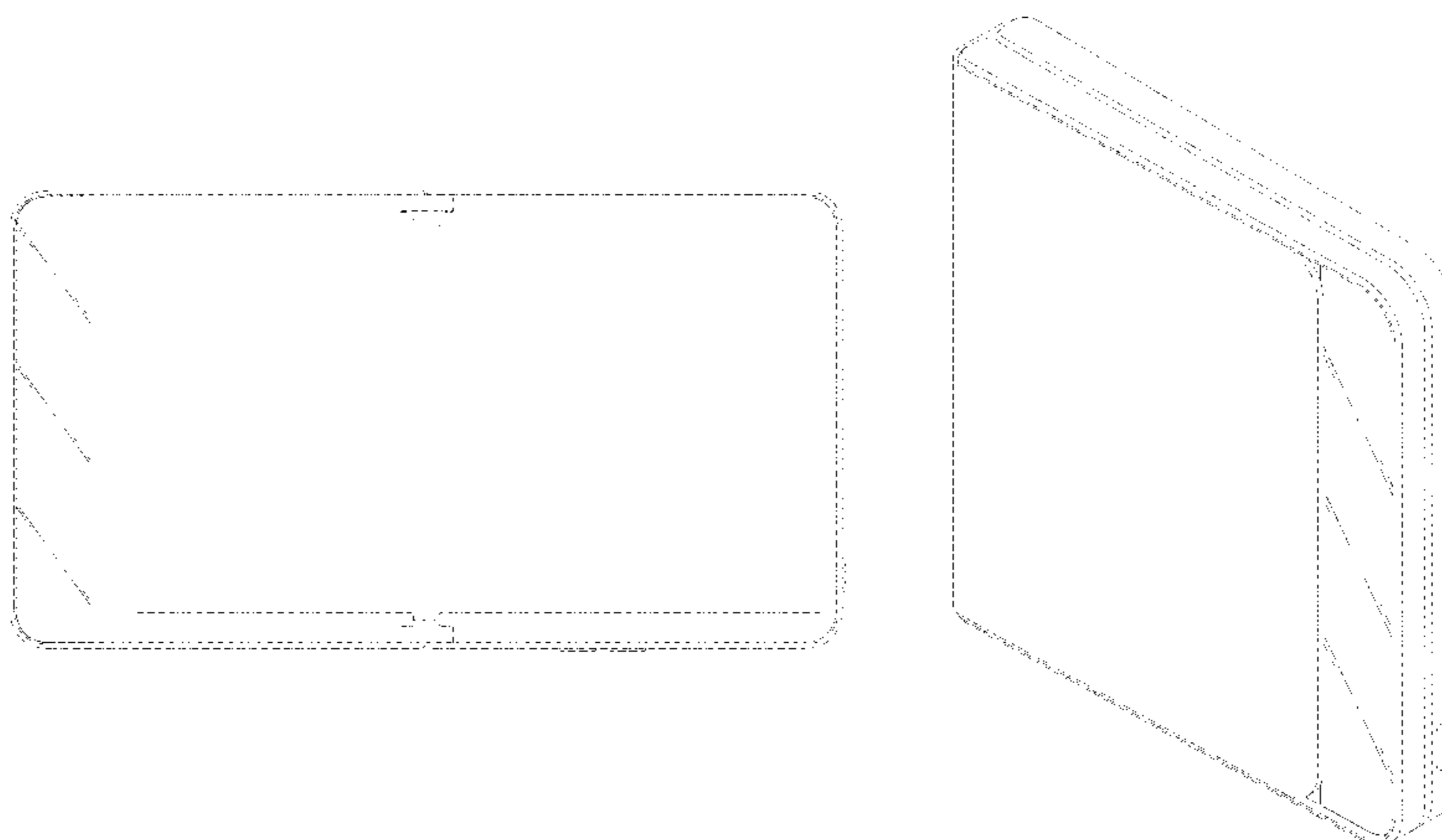
FIG. 14 is a top plan view of FIG. 9;

FIG. 15 is a bottom plan view of FIG. 9; and,

FIG. 16 is a front view of FIG. 9 showing an example of the usage of the subject design.

The broken lines shown in the figures that are immediately adjacent to the areas included in the claim represent the bounds of the claim. The broken lines in FIG. 16 that occur within the boundaries of the claim show an example of the mobile phone in a state of operation. The broken lines form no part of the claimed design.

(Continued)



FIGS. 3-7 and 11-15 of the drawing disclosure include only environment and do not show the claimed design.

1 Claim, 14 Drawing Sheets

(58) **Field of Classification Search**

USPC D14/345, 346, 203.1, 203.3, 203.7, 218, D14/329, 250, 315–318, 388, 389; D10/50; D18/6, 7; D12/40, 42, 82, 84, D12/86; D25/103, 108; D6/706; D3/319
CPC . G06F 1/1652; H04M 1/0214; H04M 1/0218; H04M 1/0268; H04M 1/027; H04M 1/0202; H04M 1/0279; H04M 1/0235; H04M 1/0237; H04M 1/0239; H04M 1/0266; H04M 1/0295

See application file for complete search history.

(56) **References Cited**

U.S. PATENT DOCUMENTS

D696,693 S	*	12/2013	Kim	D14/341
D717,799 S	*	11/2014	Lee	D14/420
D754,645 S	*	4/2016	Kim	D14/250

D754,657 S	*	4/2016	Kim	D14/345
D757,717 S	*	5/2016	Park	D14/341
D767,525 S	*	9/2016	Byun	D14/138 AB
D776,096 S	*	1/2017	Kim	D14/248
D776,097 S	*	1/2017	Kwak	D14/248
D779,481 S	*	2/2017	Jun	D14/341
D781,802 S	*	3/2017	Kwak	D14/138 AB
D783,608 S	*	4/2017	Park	D14/203.4
D788,774 S	*	6/2017	Seo	D14/345
D790,537 S	*	6/2017	Bae	D14/138 AB
D796,499 S	*	9/2017	Lee	D14/341
D798,835 S	*	10/2017	Kim	D14/138 G
D800,112 S	*	10/2017	Park	D14/345
2013/0307816 A1	*	11/2013	Lee	G06F 1/1652 345/174
2015/0338888 A1	*	11/2015	Kim	G06F 1/1677 345/156
2017/0185289 A1	*	6/2017	Kim	G06F 1/1641
2017/0206863 A1	*	7/2017	An	G06F 1/1652

OTHER PUBLICATIONS

iPhone SE Plus is the Lost iPhone You Didn't Know You Wanted, by Kelvin on Concept Phones, Sep. 25, 2017 [online], [site visited Nov. 28, 2017]. Retrieved from url:<https://www.concept-phones.com/apple/iphone-se-lost-iphone-wanted/>.*

* cited by examiner

FIG. 1

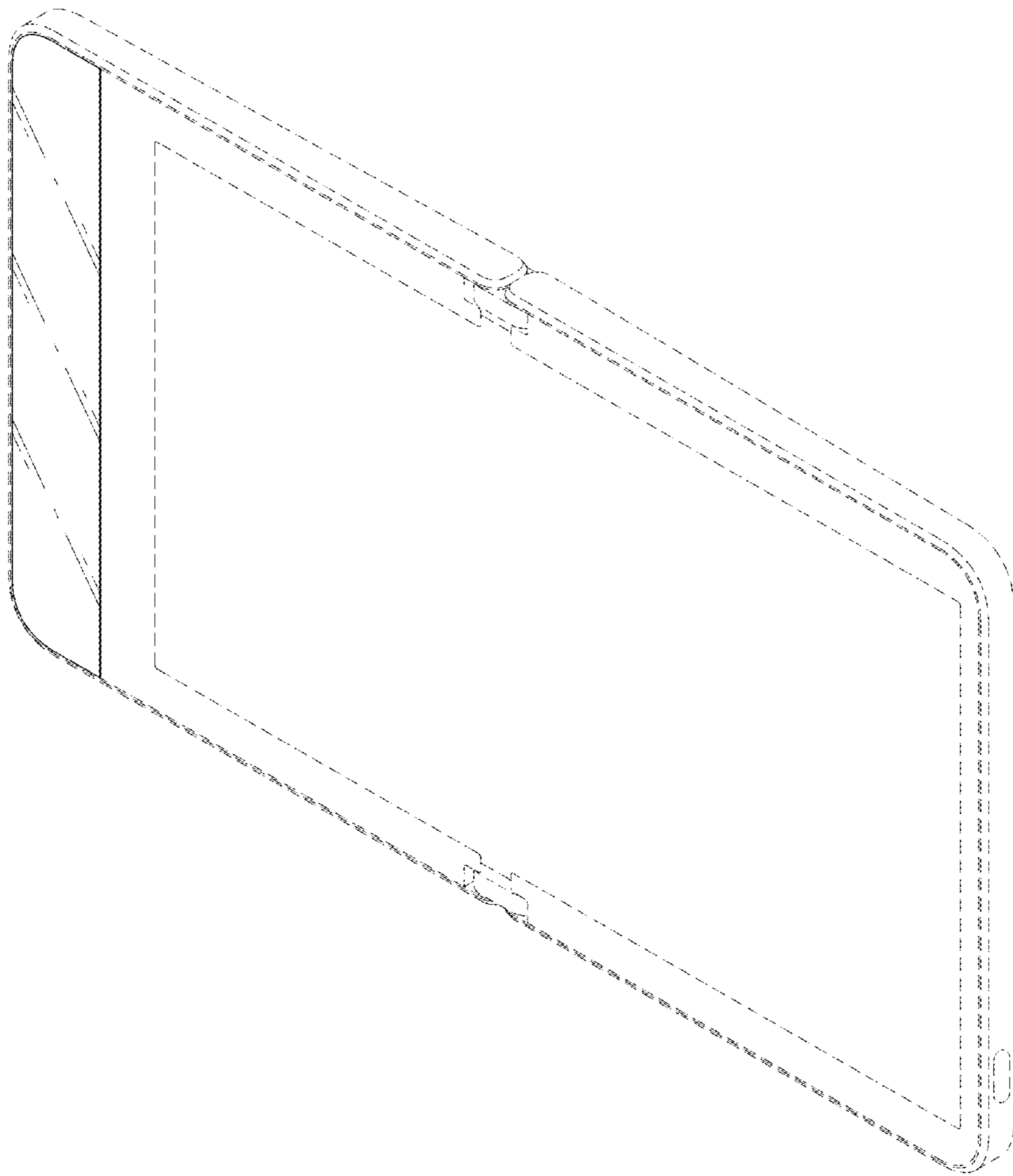


FIG. 2



FIG. 3



FIG. 4



FIG. 5



FIG. 6



FIG. 7

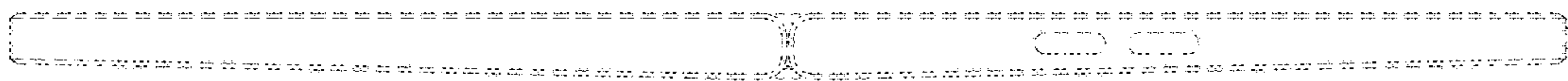


FIG. 8

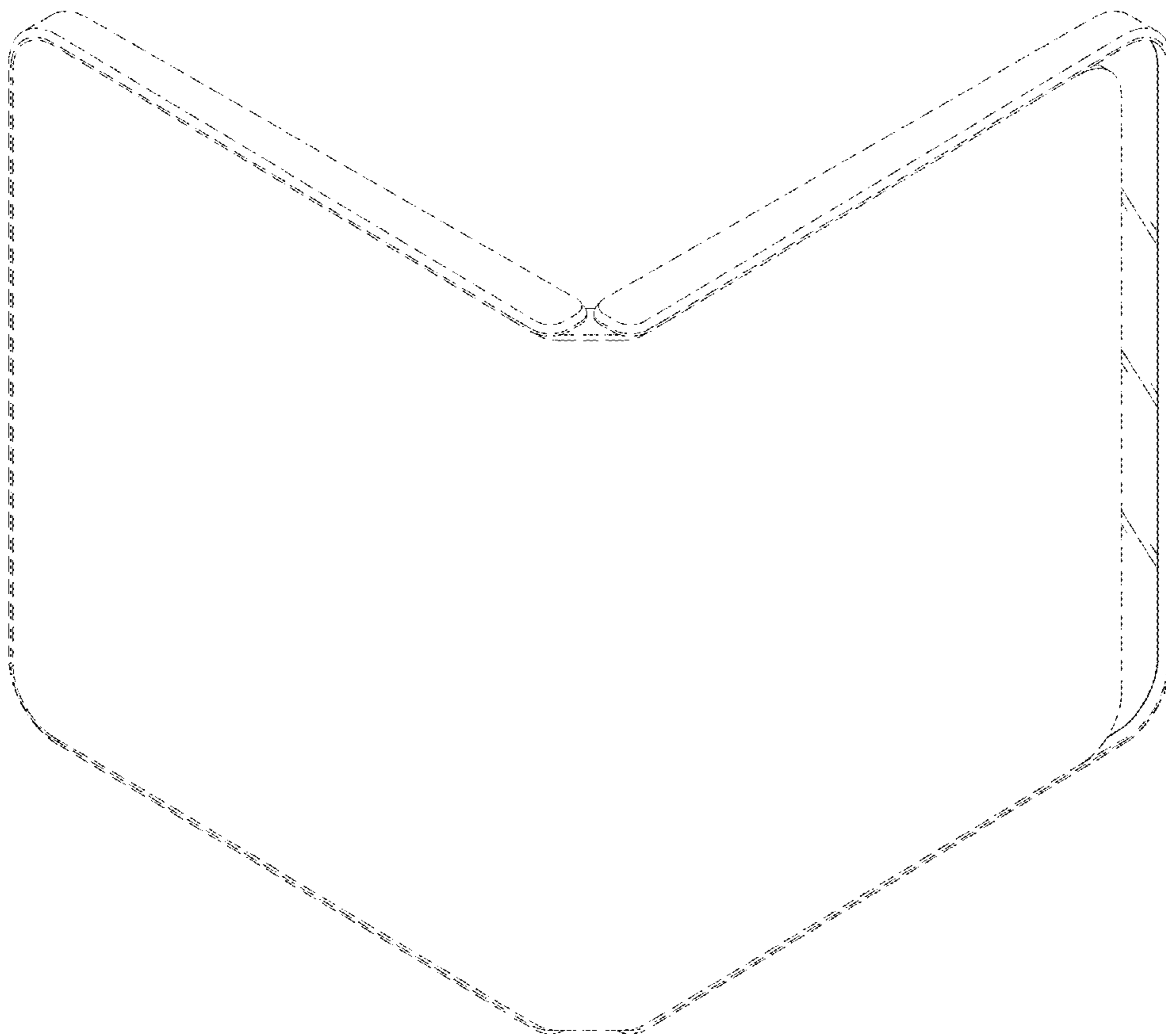


FIG. 9

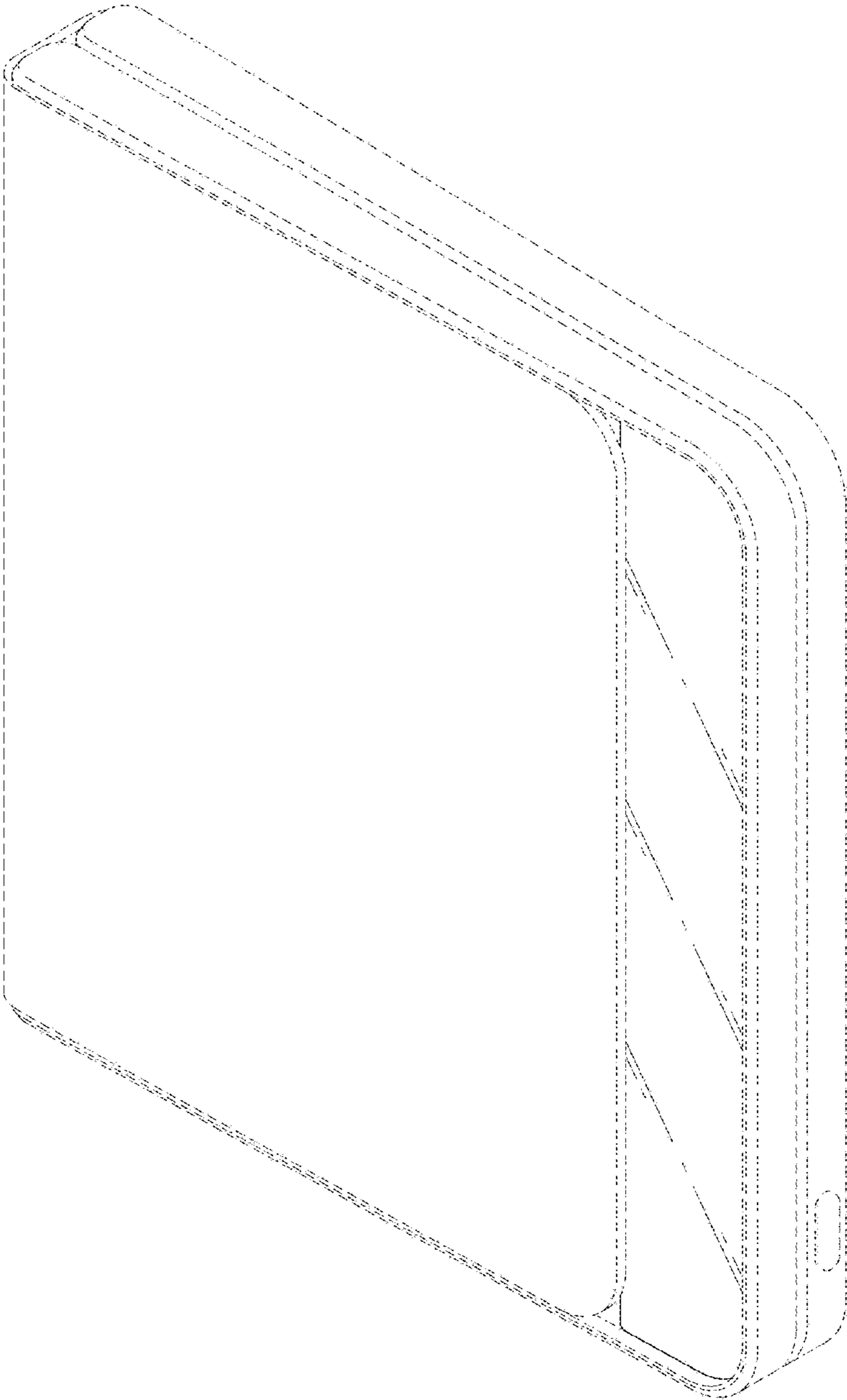


FIG. 10

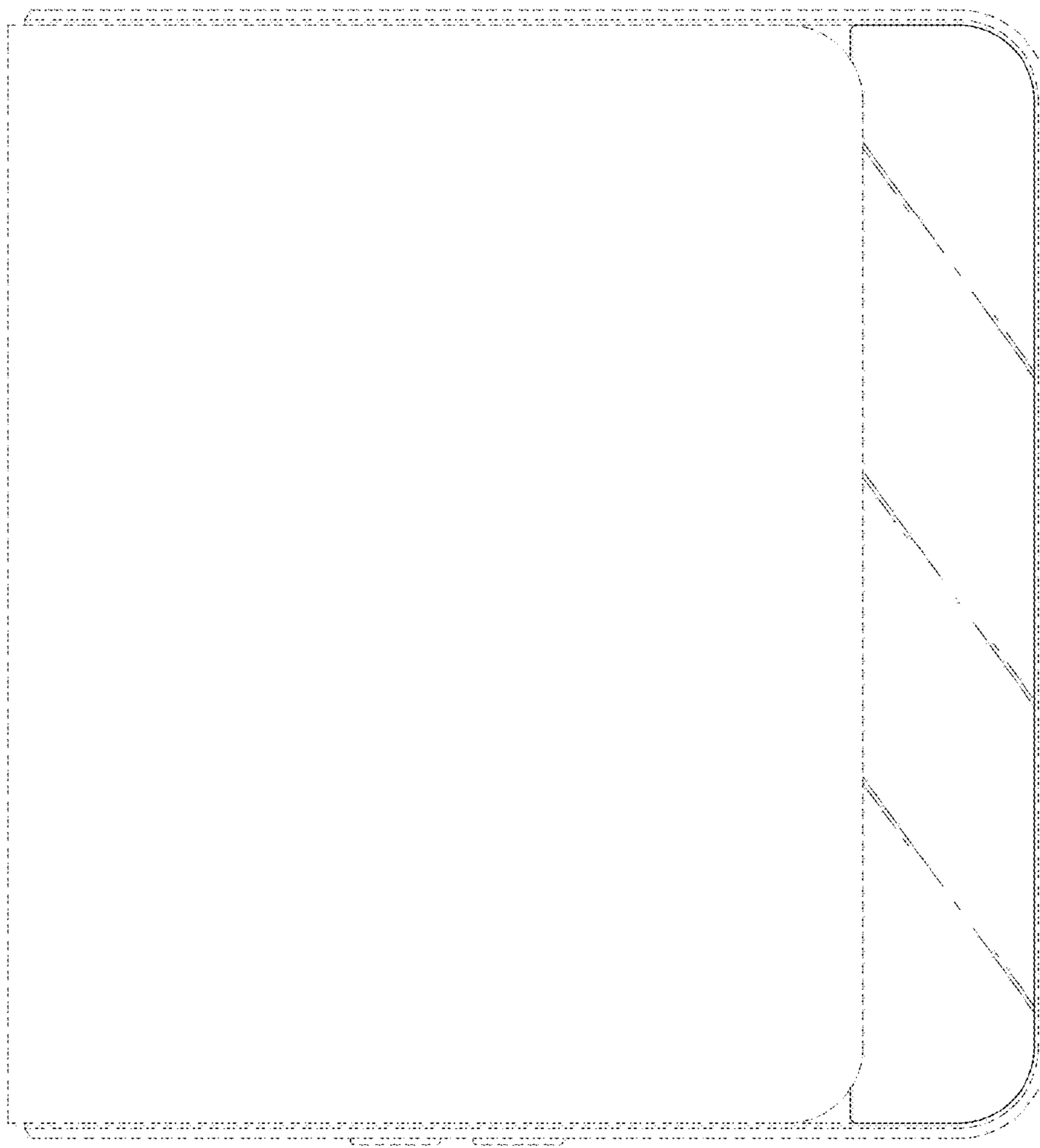


FIG. 11



FIG. 12

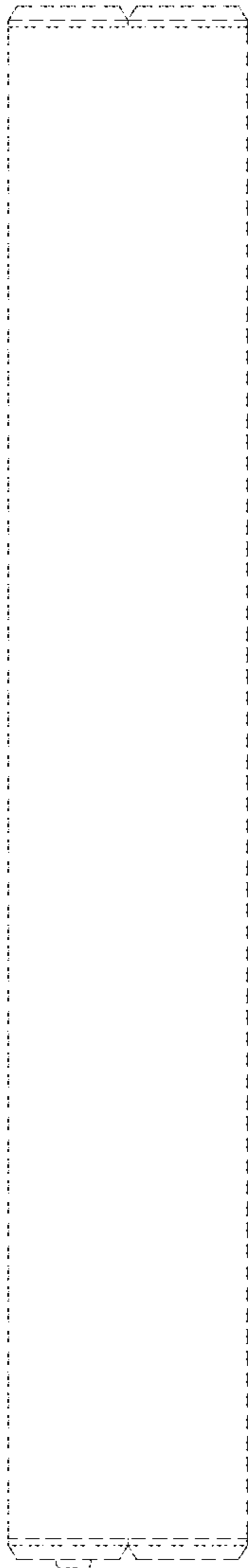


FIG. 13

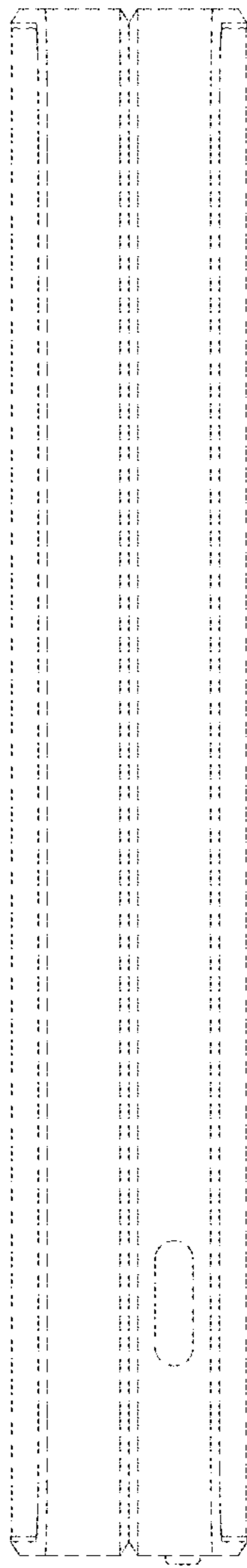


FIG. 14

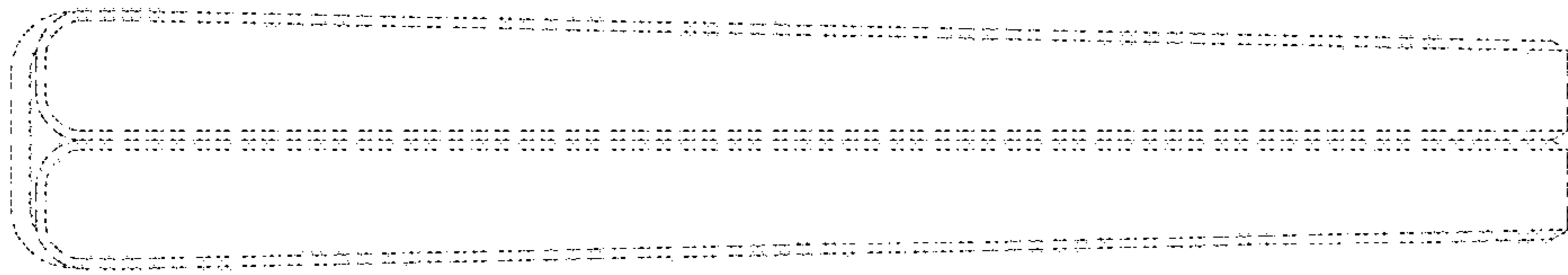


FIG. 15

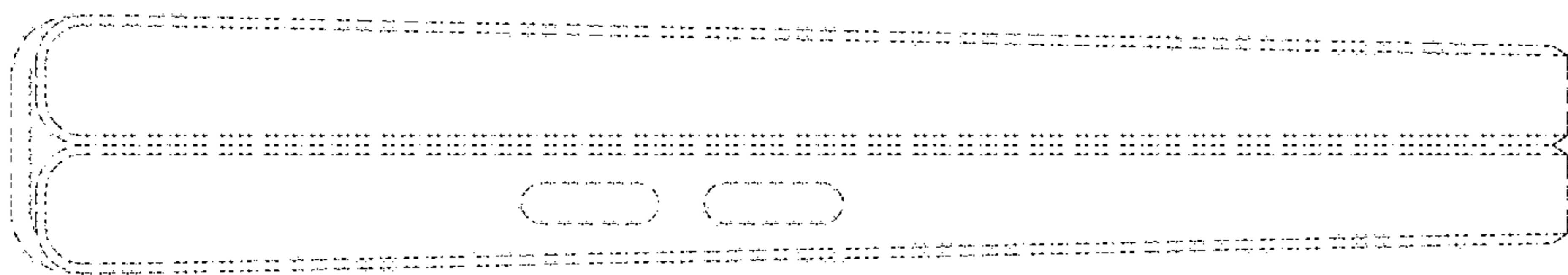


FIG. 16

