



US00D828334S

(12) **United States Design Patent** (10) **Patent No.:** **US D828,334 S**
Kobayashi (45) **Date of Patent:** **** Sep. 11, 2018**

(54) **DIGITAL AUDIO PLAYER WITH COMMUNICATION AND MIXING FUNCTION**

(71) Applicant: **Pioneer DJ CORPORATION**,
Yokohama-shi, Kanagawa (JP)

(72) Inventor: **Jinta Kobayashi**, Tokyo (JP)

(73) Assignee: **Pioneer DJ CORPORATION**,
Yokohama-shi, Kanagawa (JP)

(**) Term: **15 Years**

(21) Appl. No.: **29/610,244**

(22) Filed: **Jul. 11, 2017**

(30) **Foreign Application Priority Data**

May 17, 2017 (JP) 2017-010518

(51) **LOC (11) Cl.** **14-03**

(52) **U.S. Cl.**
USPC **D14/217**

(58) **Field of Classification Search**

USPC D14/217, 257, 258, 434, 496, 162, 167,
D14/175, 188, 196-198
CPC G06F 1/1626; G06F 1/1688; G10H 1/46;
G10H 1/0008; G10H 1/0025; G10H
3/186; G10H 2210/125; G10H 2240/131;
G10H 2240/175; G10H 2250/035; G10L
19/008; G10L 19/167; H03G 3/00; H03G
3/04; H03G 3/3005; H03G 3/3089; H03G
5/00; H03G 5/005; H03G 5/025; H03G
9/18; G11B 19/02; G11B 20/10527;
G11B 27/00; G11B 27/34; G11B 27/031;
G11B 27/034; G11B 27/038; G11B
27/105; G11B 33/025; H04H 3/186;
H04H 60/04; H04H 60/05; H04H 60/91;
H04R 3/00; H04R 3/005; H04R 5/04;
H04R 2205/021; H04R 2499/11

See application file for complete search history.

(56) **References Cited**

U.S. PATENT DOCUMENTS

D665,778 S * 8/2012 Langlois D14/217
D715,771 S * 10/2014 Funayama D14/217
D721,675 S * 1/2015 Hong D14/217
D765,058 S * 8/2016 Matsubayashi D14/217

(Continued)

FOREIGN PATENT DOCUMENTS

EM 002734111-0003 4/2015
JP 1534925 10/2015

OTHER PUBLICATIONS

Office Action dated Jan. 9, 2018 from corresponding Japanese design patent application No. 2017-010518 (with attached English-language translation).

(Continued)

Primary Examiner — Ian Simmons

Assistant Examiner — Khawaja Anwar

(74) *Attorney, Agent, or Firm* — Drinker Biddle & Reath LLP

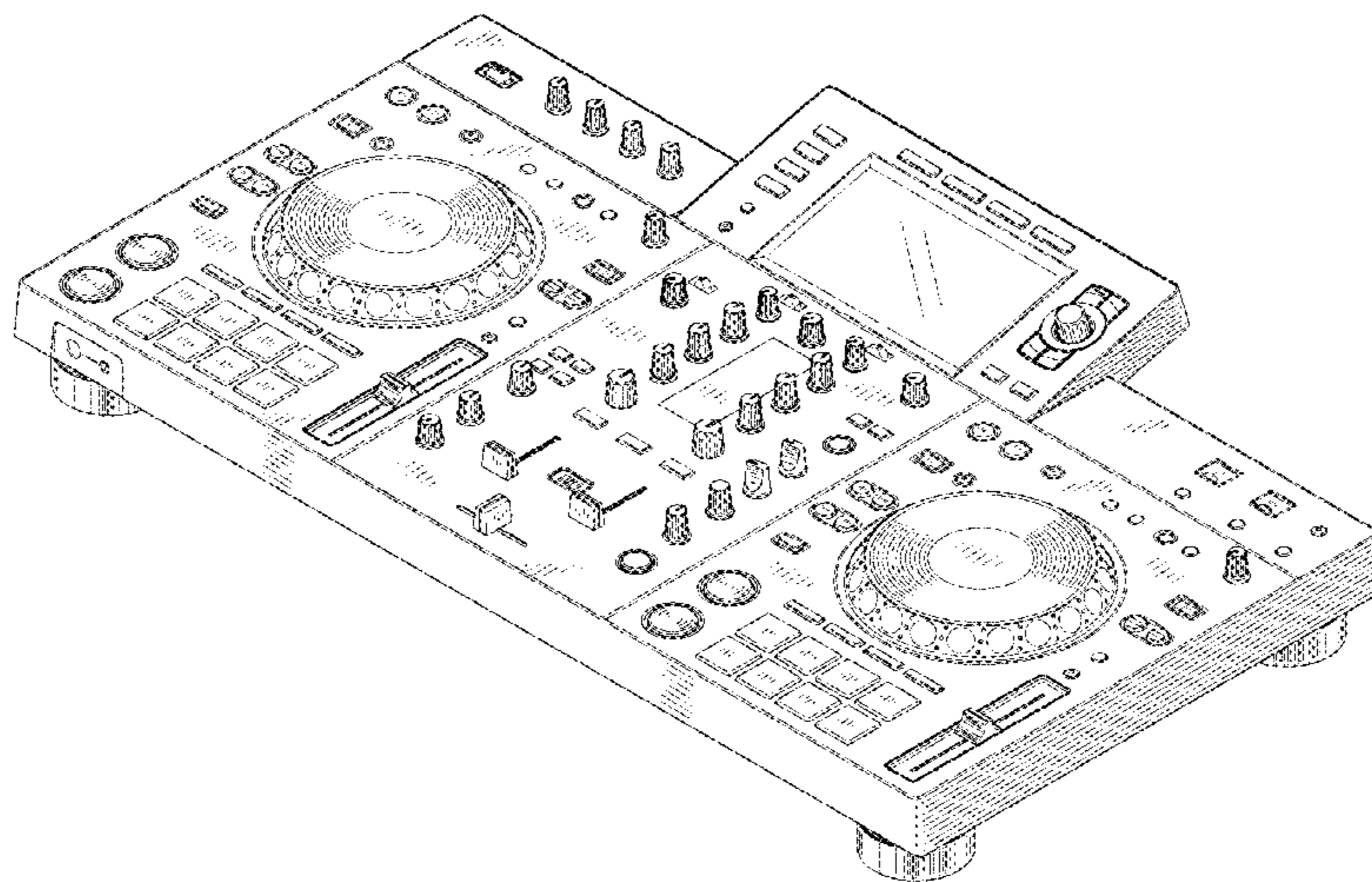
(57) **CLAIM**

I claim the ornamental design for a digital audio player with communication and mixing function, as shown and described.

DESCRIPTION

FIG. 1 is an upper-right-front perspective view showing the design;
FIG. 2 is a lower-left-back perspective view thereof;
FIG. 3 is a front view thereof;
FIG. 4 is a rear view thereof;
FIG. 5 is a left-side view thereof;
FIG. 6 is a right-side view thereof;
FIG. 7 is a top view thereof; and,
FIG. 8 is a bottom view thereof.

1 Claim, 8 Drawing Sheets



(56)

References Cited

U.S. PATENT DOCUMENTS

D765,620 S * 9/2016 Kitamura D14/217
D771,020 S * 11/2016 O'Donnell D14/217
D771,594 S * 11/2016 Hong D14/217
D778,263 S * 2/2017 Martel D14/217
D780,718 S * 3/2017 Jackson D14/217
D795,840 S * 8/2017 Kuramoto D14/217
D796,481 S * 9/2017 Kuramoto D14/217

OTHER PUBLICATIONS

Office Action dated Jan. 22, 2018 from corresponding Korean design patent application No. 30-2017-0034227 (with attached English-language translation).

* cited by examiner

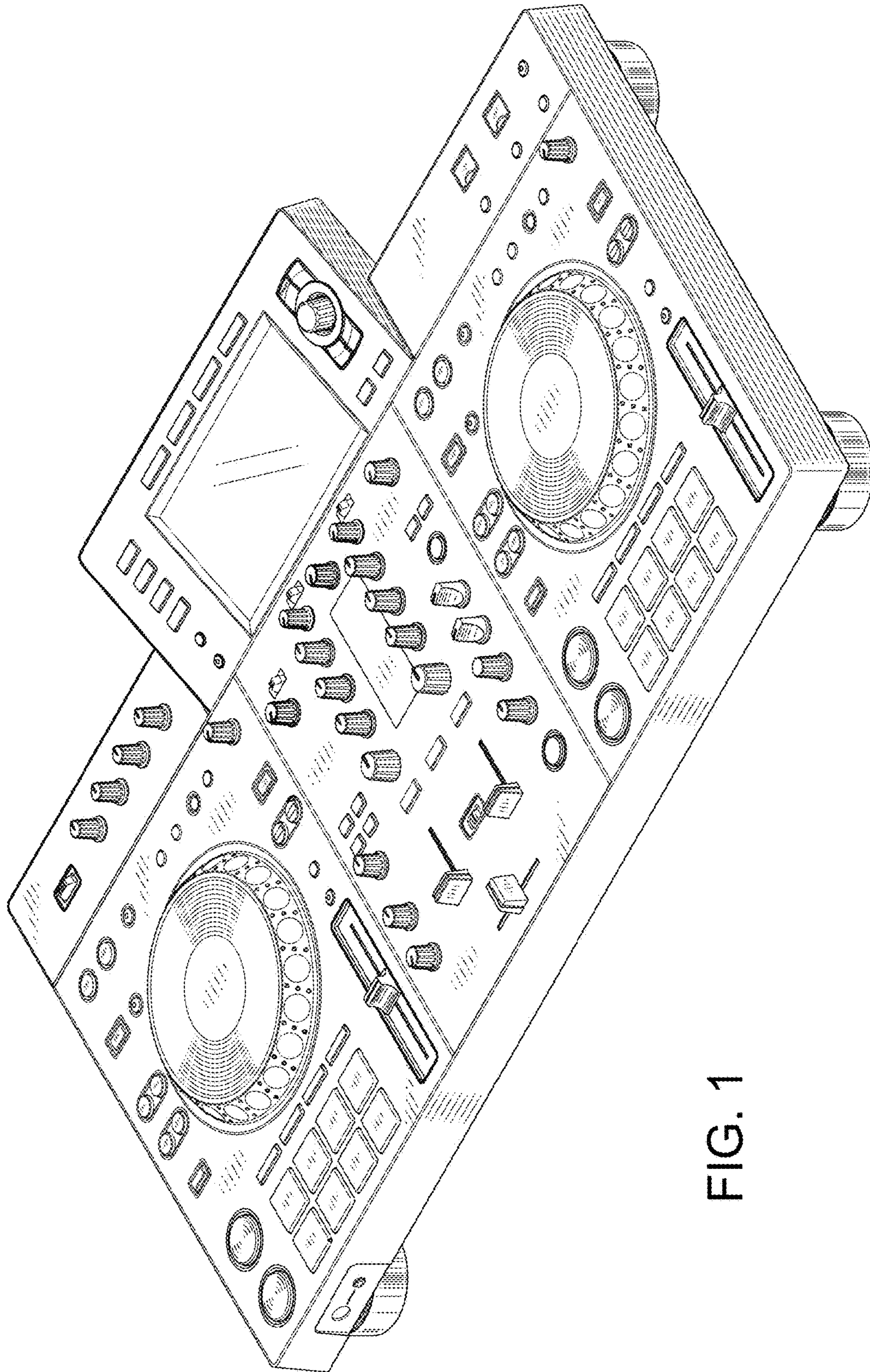


FIG. 1

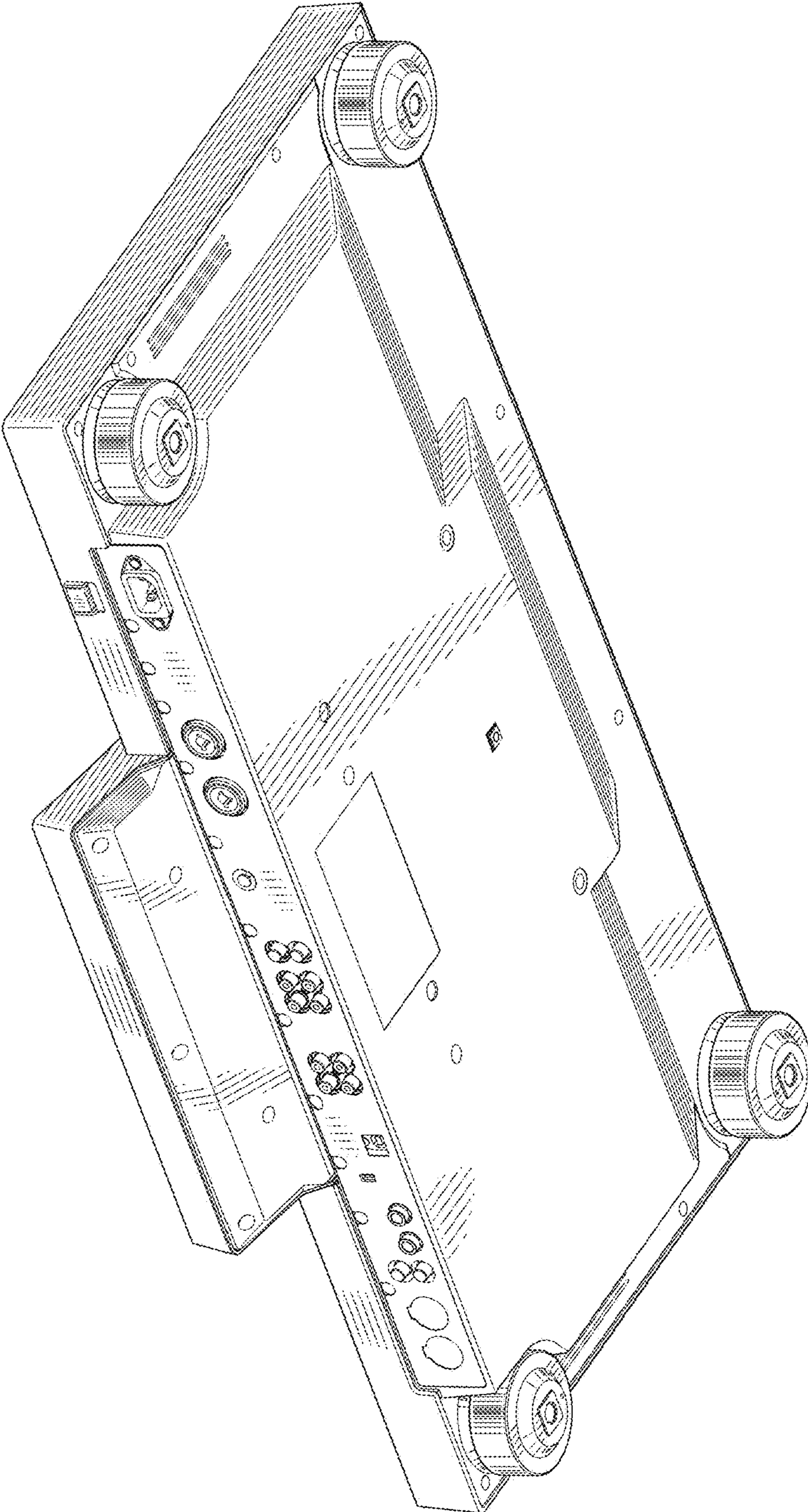


FIG. 2

FIG. 3

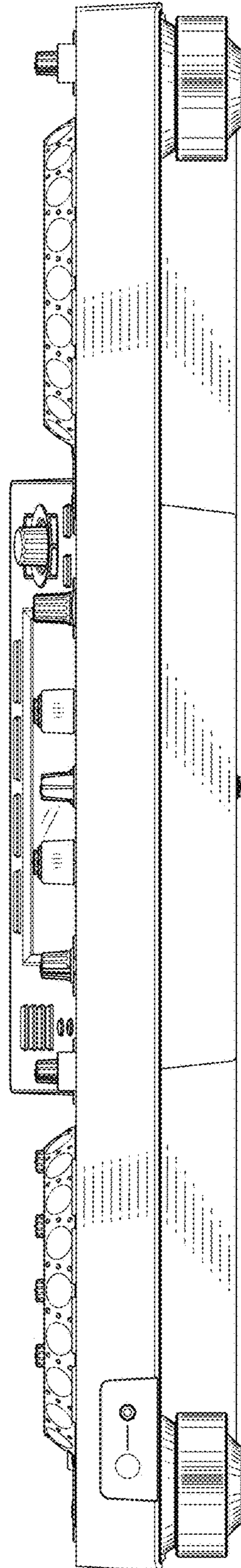


FIG. 4

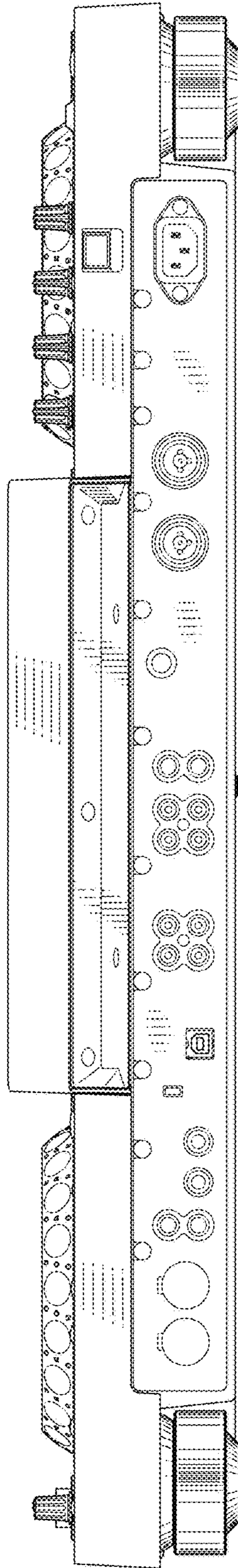


FIG. 5

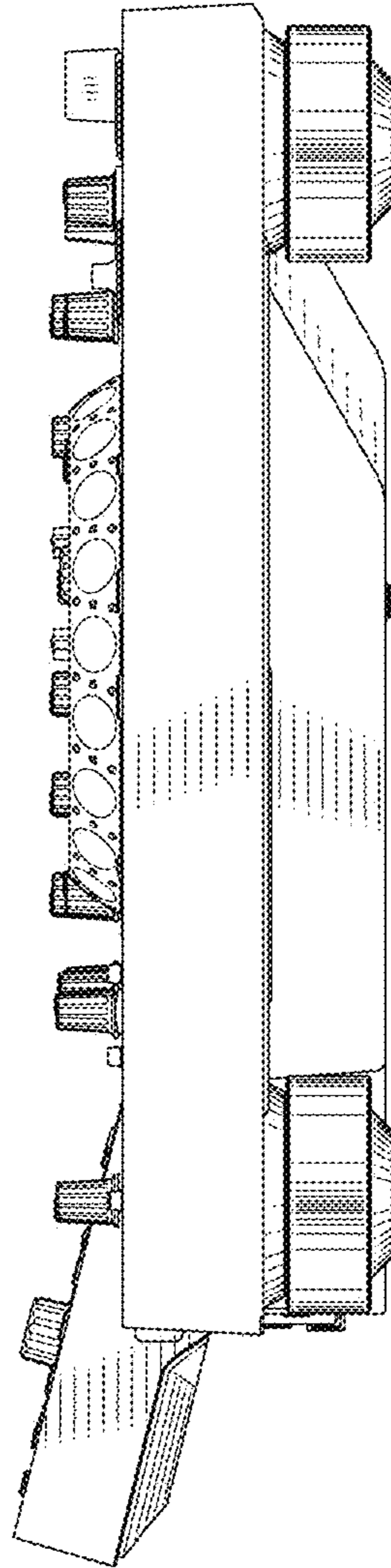


FIG. 6

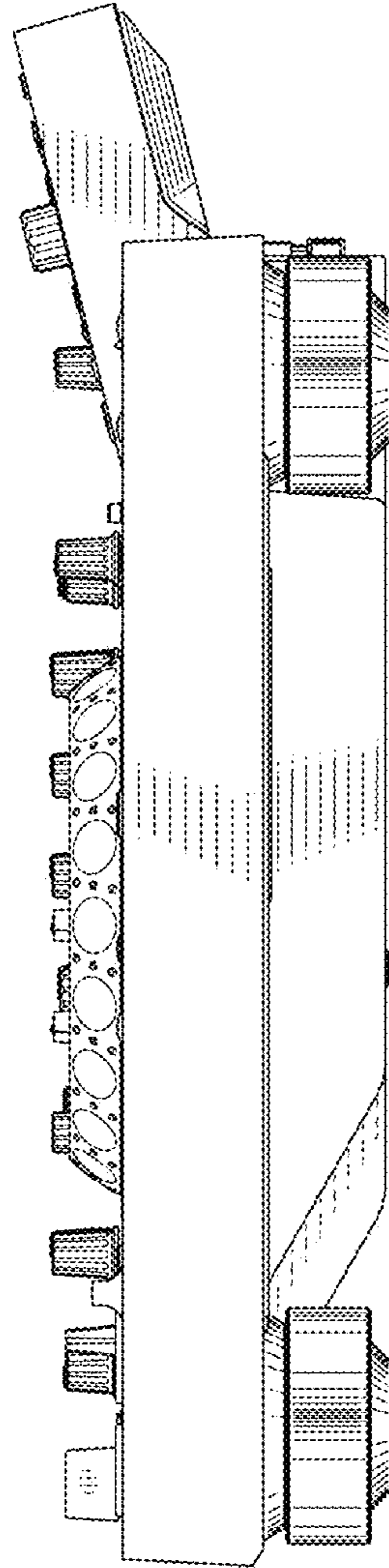


FIG. 7

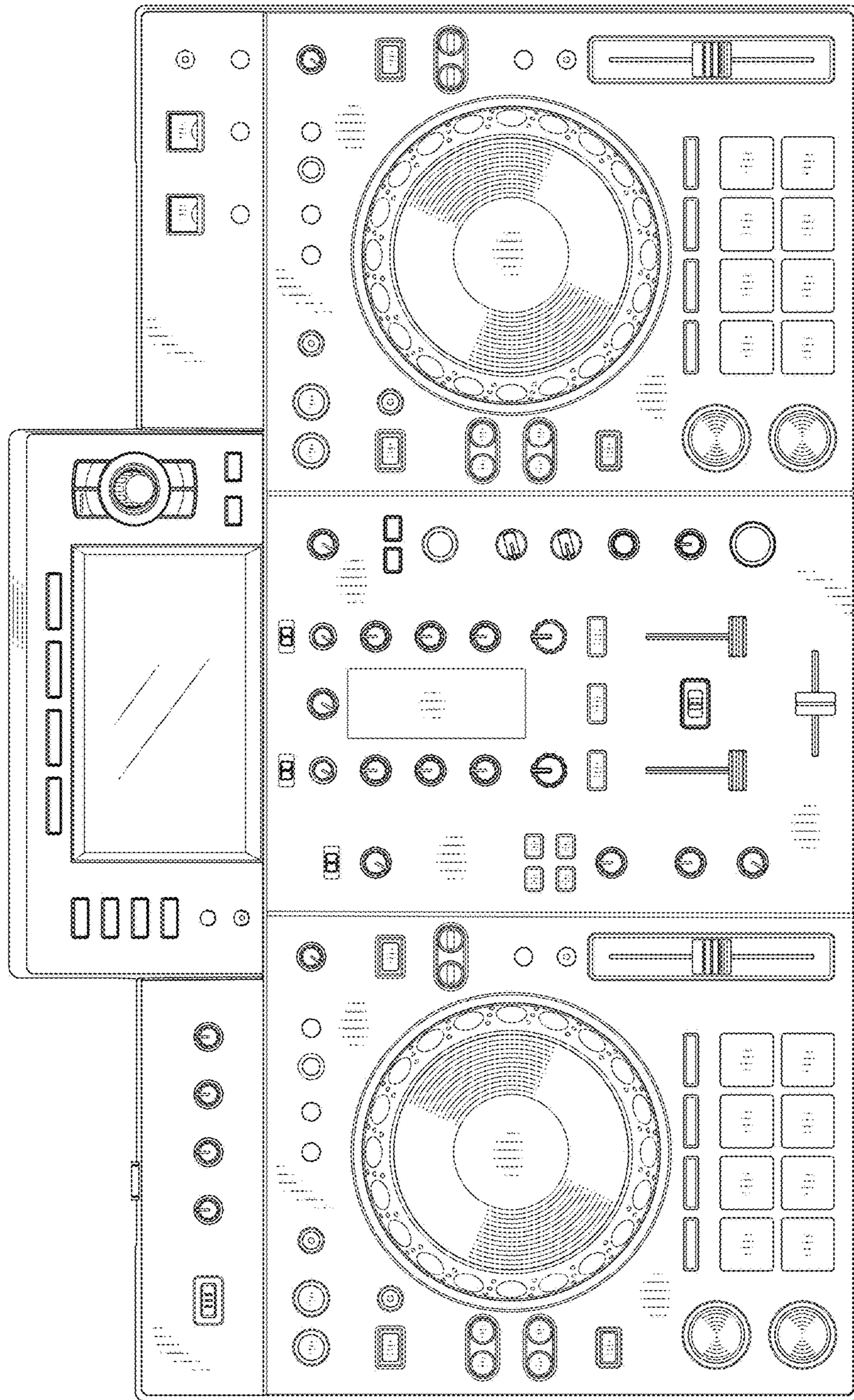


FIG. 8

