



US00D828332S

(12) **United States Design Patent** (10) **Patent No.:** **US D828,332 S**
Hu (45) **Date of Patent:** **** Sep. 11, 2018**

(54) **WIRELESS SPEAKER**

2400/00; H04R 2400/07; H04R 2499/11;
H04R 2499/13; H04R 2499/15; H04S
3/00; H04S 7/30

(71) Applicant: **Shenzhen VITEBO Science & Technology Development Co., Ltd.**,
Shenzhen, Guangdong (CN)

See application file for complete search history.

(72) Inventor: **Jianzhong Hu**, Guangdong (CN)

(56) **References Cited**

(73) Assignee: **Shenzhen VITEBO Science & Technology Development Co., Ltd.**,
Shenzhen (CN)

U.S. PATENT DOCUMENTS

(**) Term: **15 Years**

D521,620 S *	5/2006	Tseng	D23/364
D573,135 S *	7/2008	Laituri	D14/168
D712,378 S *	9/2014	Mackiewicz	D14/216
D726,157 S *	4/2015	Chang	D14/216
D752,548 S *	3/2016	Chen	D14/207
D770,415 S *	11/2016	Pellisari	D14/216
D793,363 S *	8/2017	Zhang	D14/216
D801,303 S *	10/2017	Holzer	D14/207

(21) Appl. No.: **29/609,367**

* cited by examiner

(22) Filed: **Jun. 29, 2017**

Primary Examiner — Keli L Hill

(30) **Foreign Application Priority Data**

Dec. 31, 2016 (CN) 2016 3 0662111

(57) **CLAIM**

(51) **LOC (11) Cl.** **14-03**

The ornamental design for a wireless speaker, as shown and described.

(52) **U.S. Cl.**

DESCRIPTION

USPC **D14/216**

(58) **Field of Classification Search**

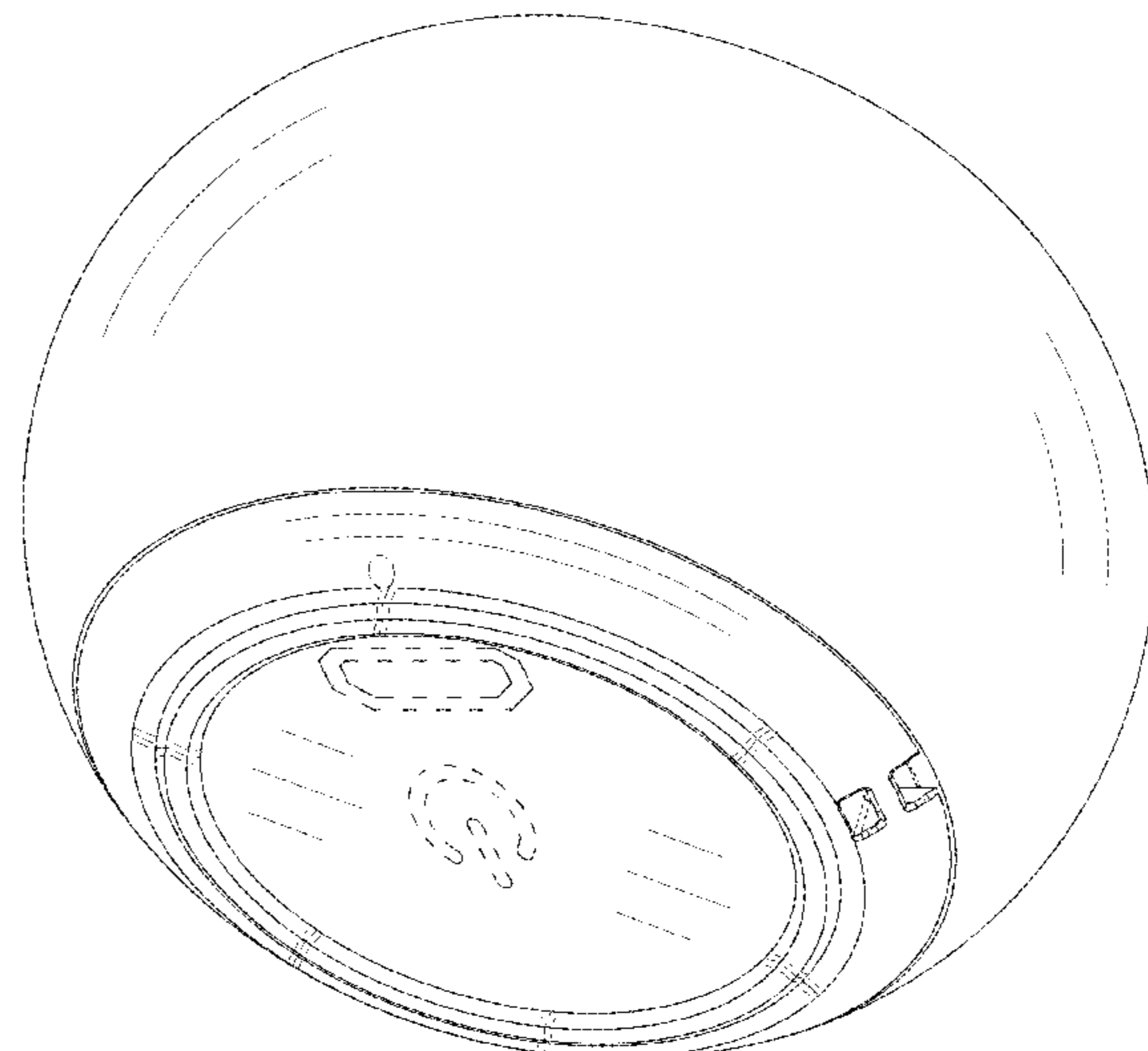
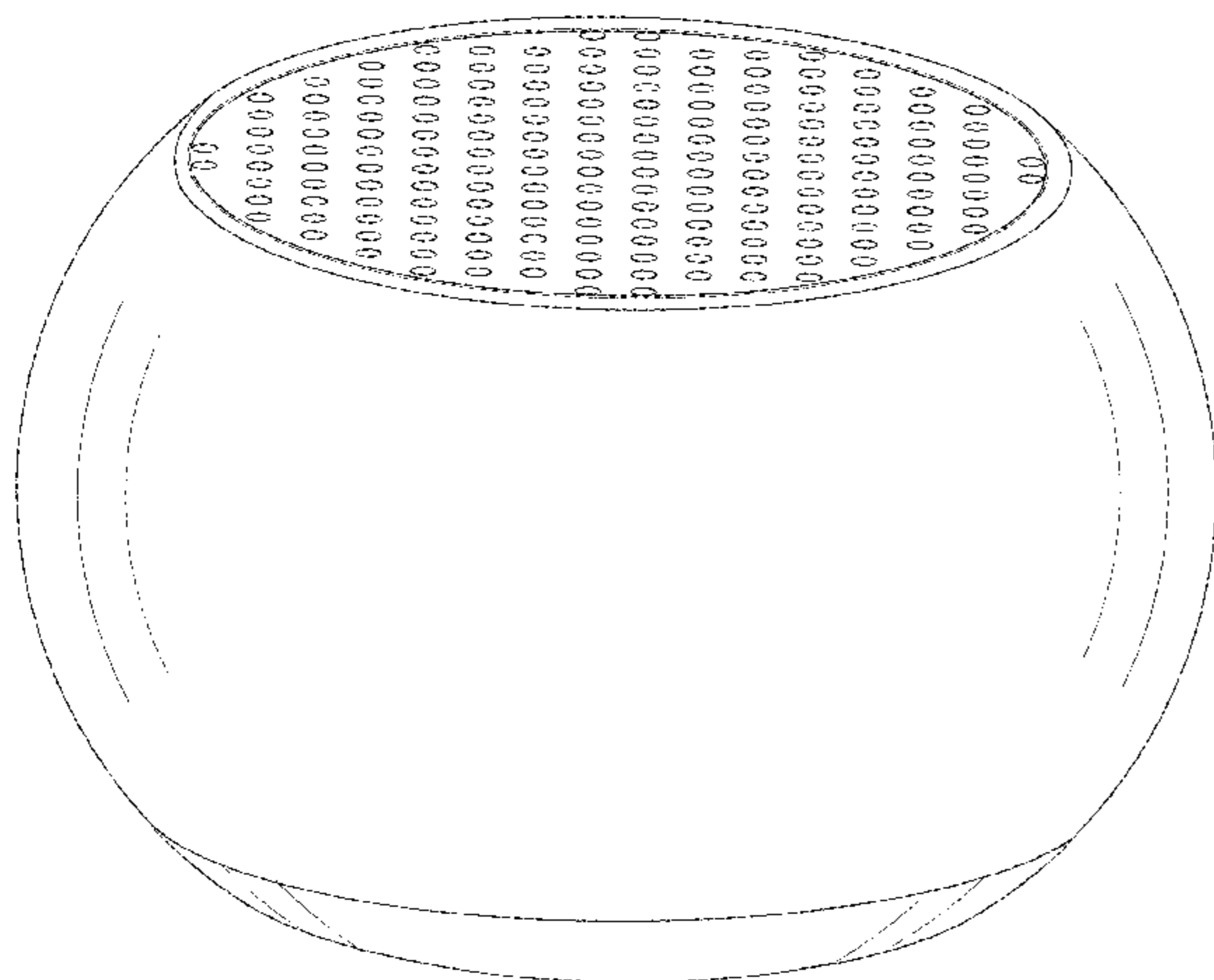
USPC D14/167, 168, 170–172, 188, 194–196,
D14/204, 209.1, 210–216, 219, 221, 222,
D14/224, 239, 496

CPC B60R 11/0217; G06F 1/1688; G10K 9/22;
G10K 11/004; H03F 1/327; H04M 1/03;
H04M 1/035; H04N 5/642; H04N
21/4852; H04R 1/02; H04R 1/06; H04R
1/021; H04R 1/025; H04R 1/026; H04R
1/028; H04R 1/105; H04R 1/323; H04R
1/403; H04R 1/2803; H04R 1/2834;
H04R 5/02; H04R 7/20; H04R 9/06;
H04R 9/025; H04R 2201/021; H04R

FIG. 1 is a front elevational view of a wireless speaker showing my new design;
FIG. 2 is a rear elevational view thereof;
FIG. 3 is a left side view thereof;
FIG. 4 is a right side view thereof;
FIG. 5 is a top plan view thereof;
FIG. 6 is a bottom plan view thereof;
FIG. 7 is a first perspective view thereof;
FIG. 8 is a second perspective view thereof;
FIG. 9 is a third perspective view thereof; and,
FIG. 10 is a fourth perspective view thereof.

The broken lines in the drawings illustrate portions of the wireless speaker which form no part of the claimed design.

1 Claim, 10 Drawing Sheets



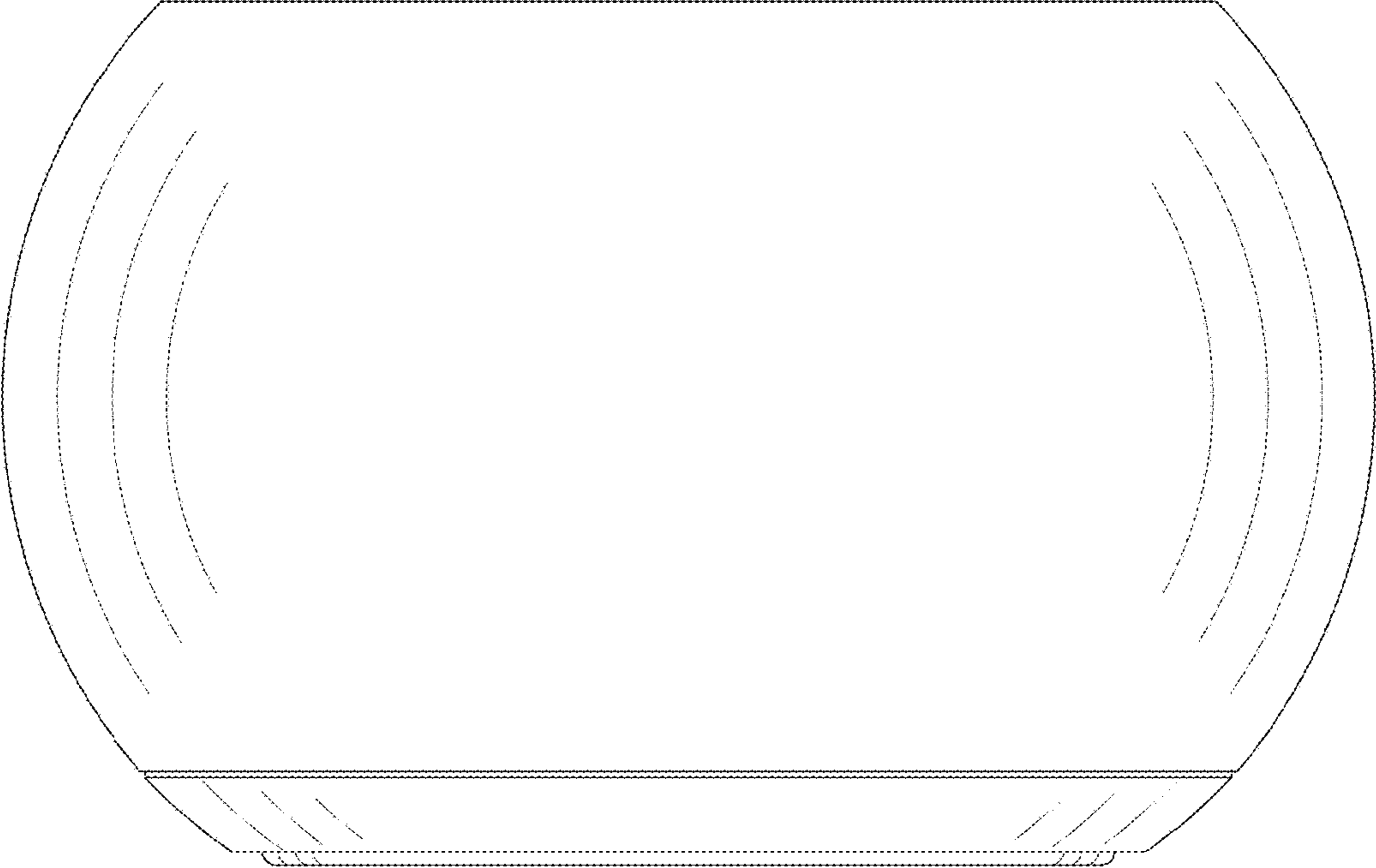


Fig. 1

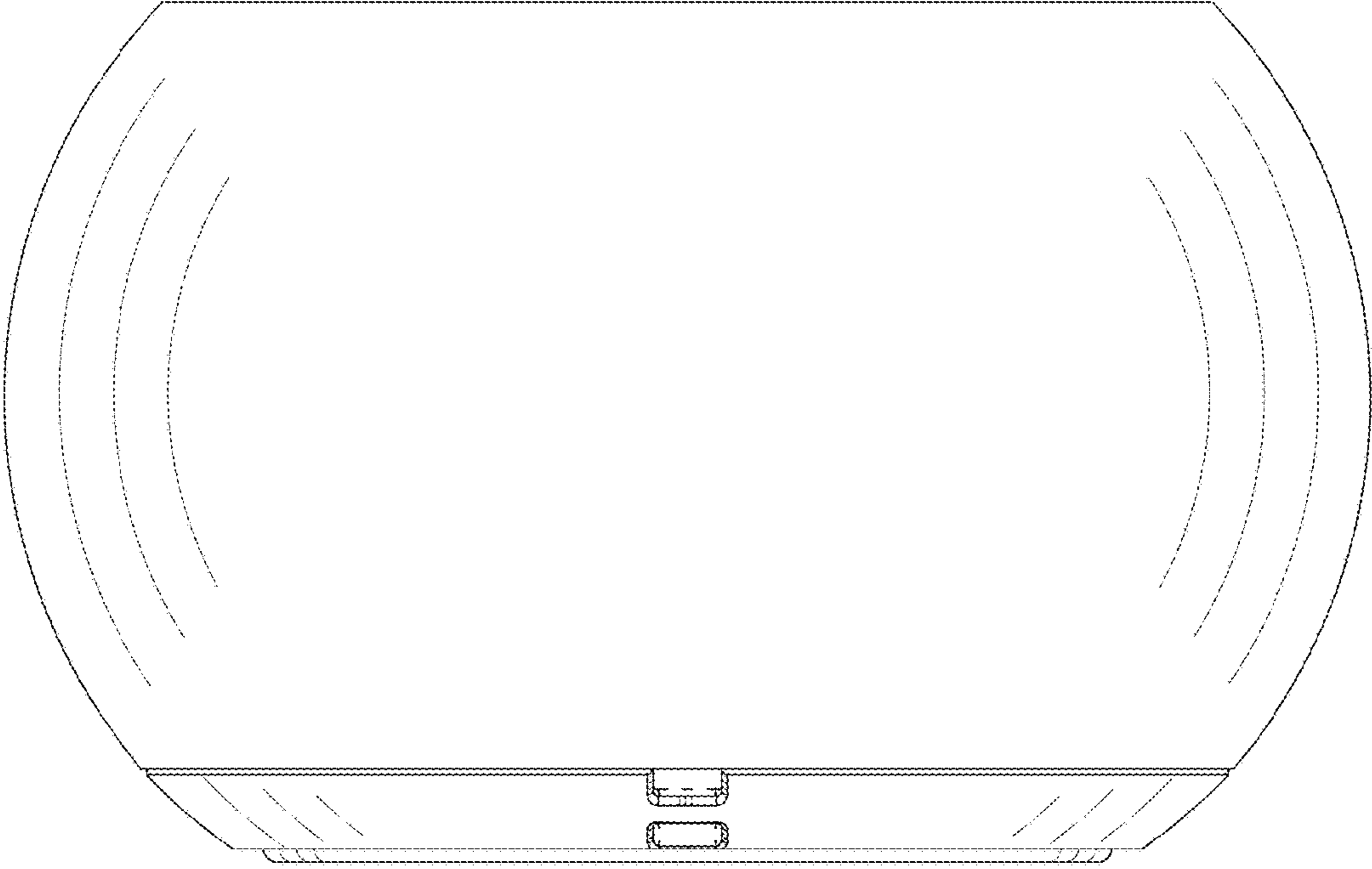


Fig. 2

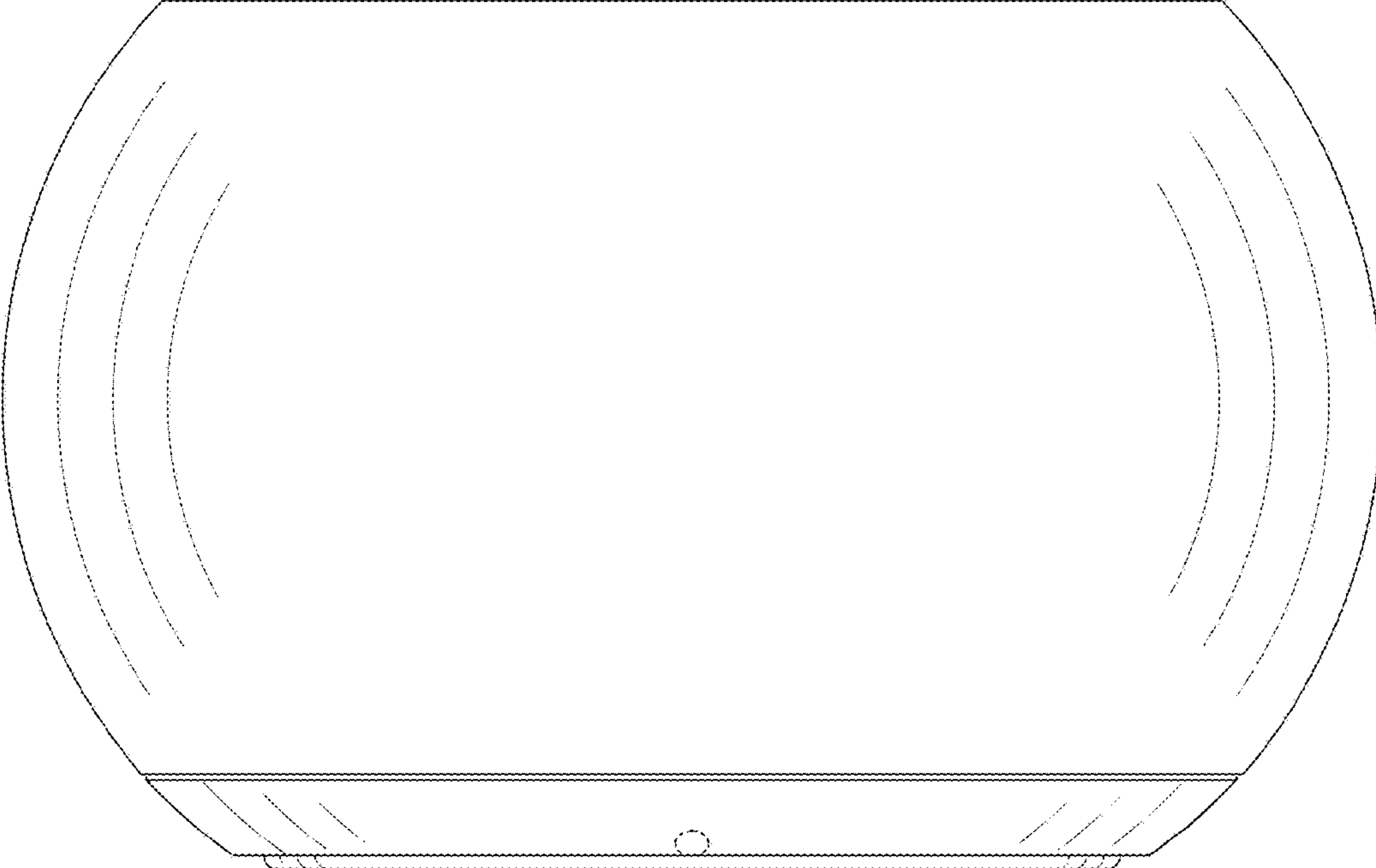


Fig. 3

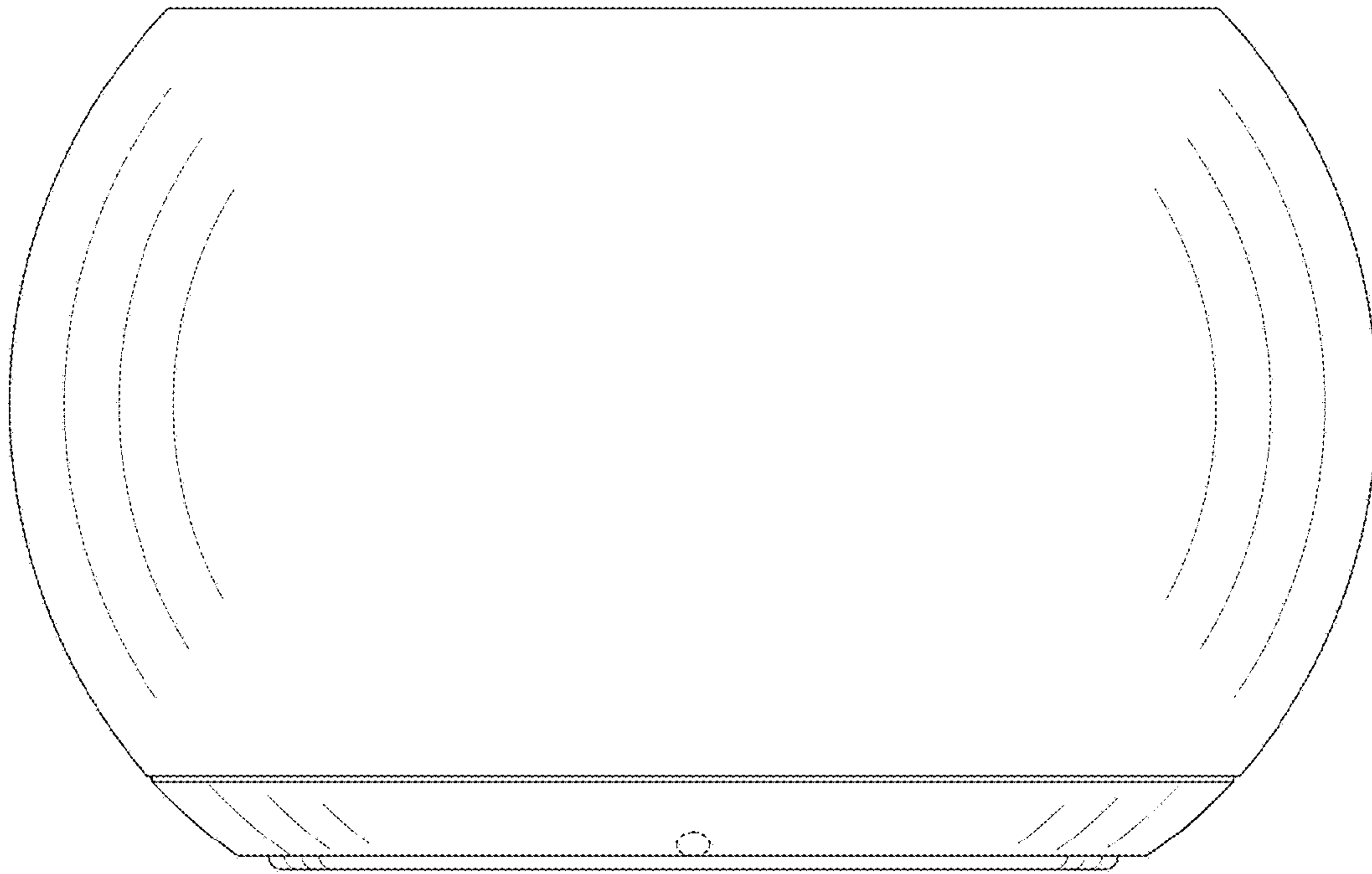


Fig. 4

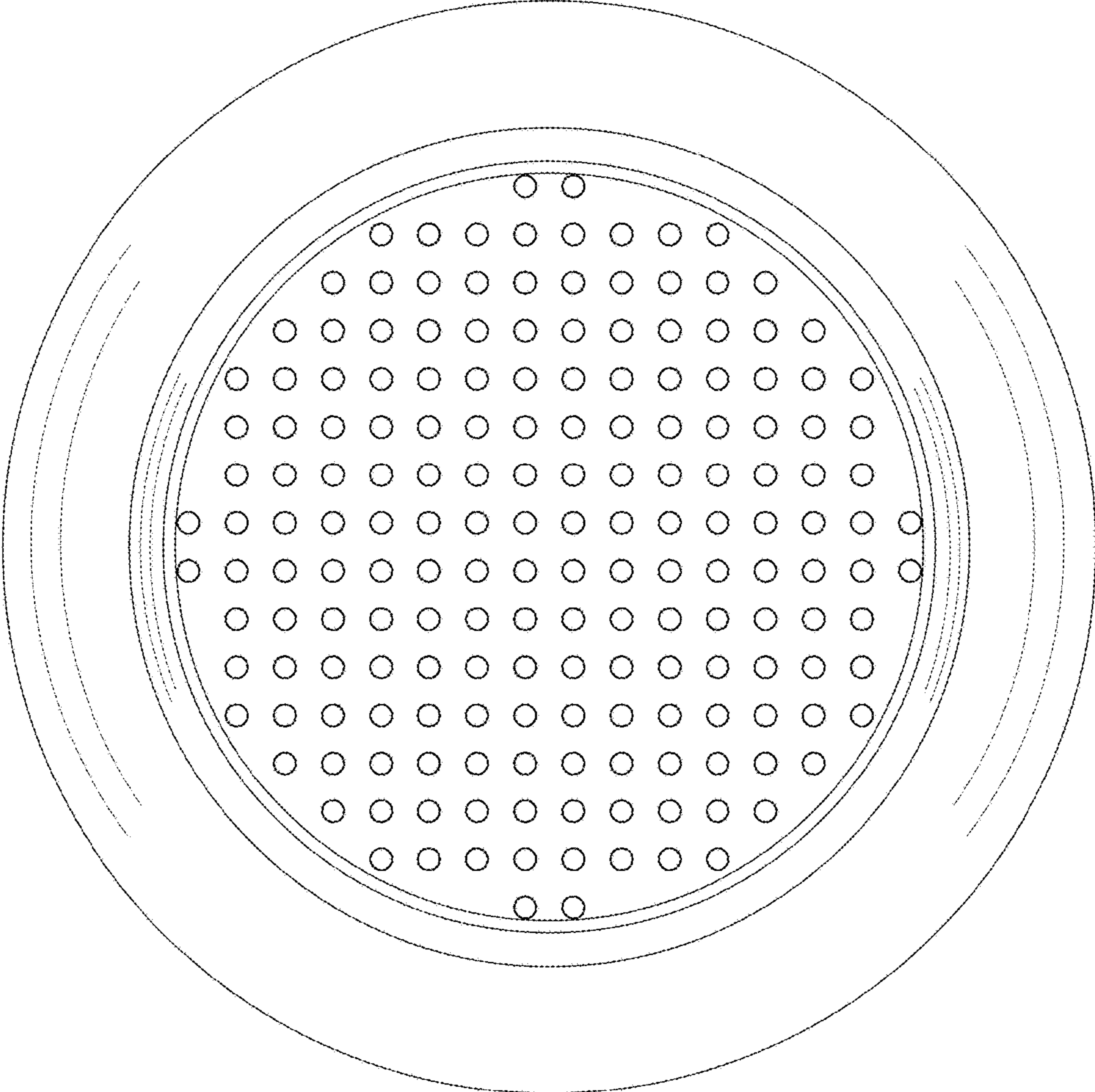


Fig. 5

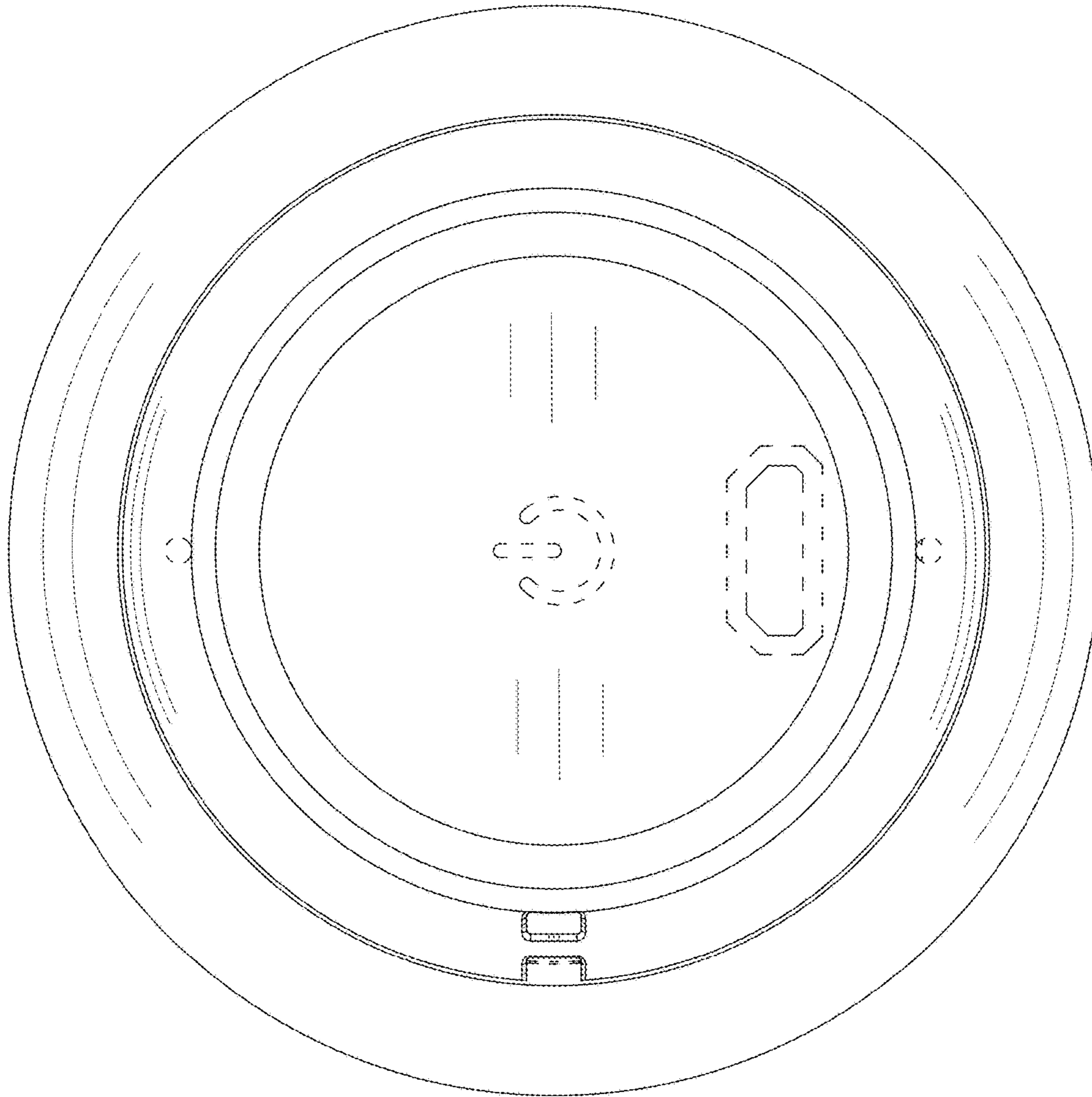


Fig. 6

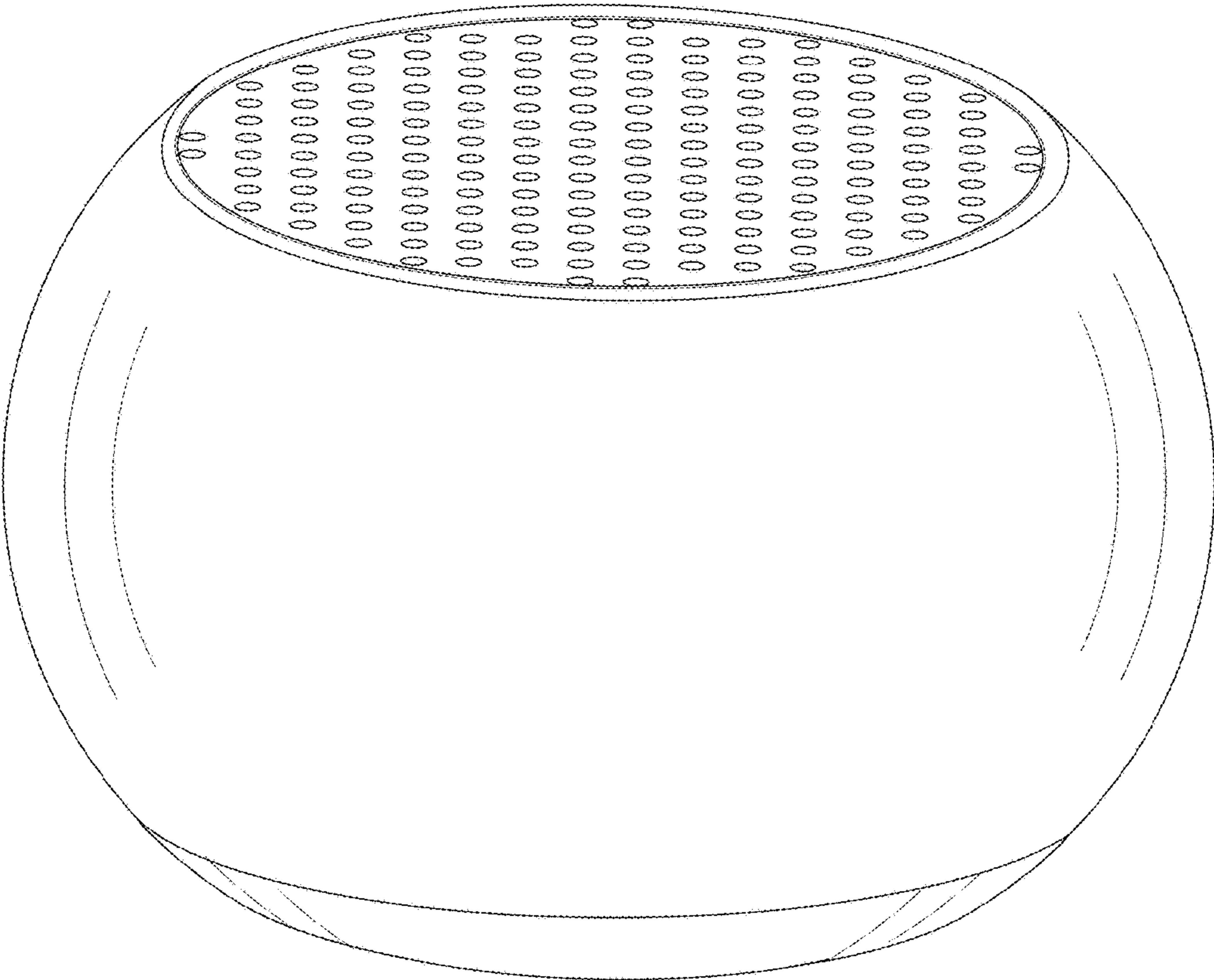


Fig. 7

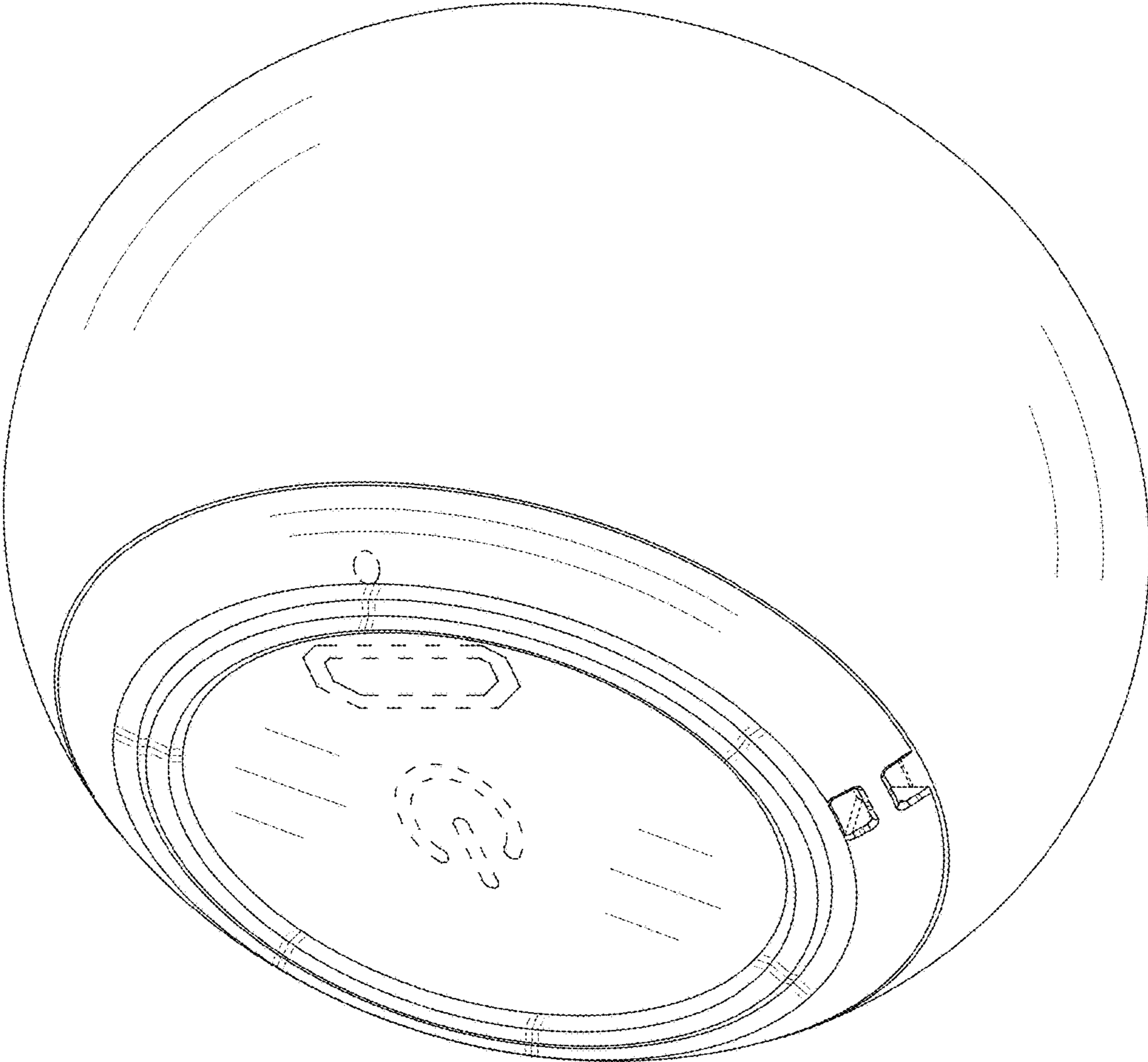


Fig. 8

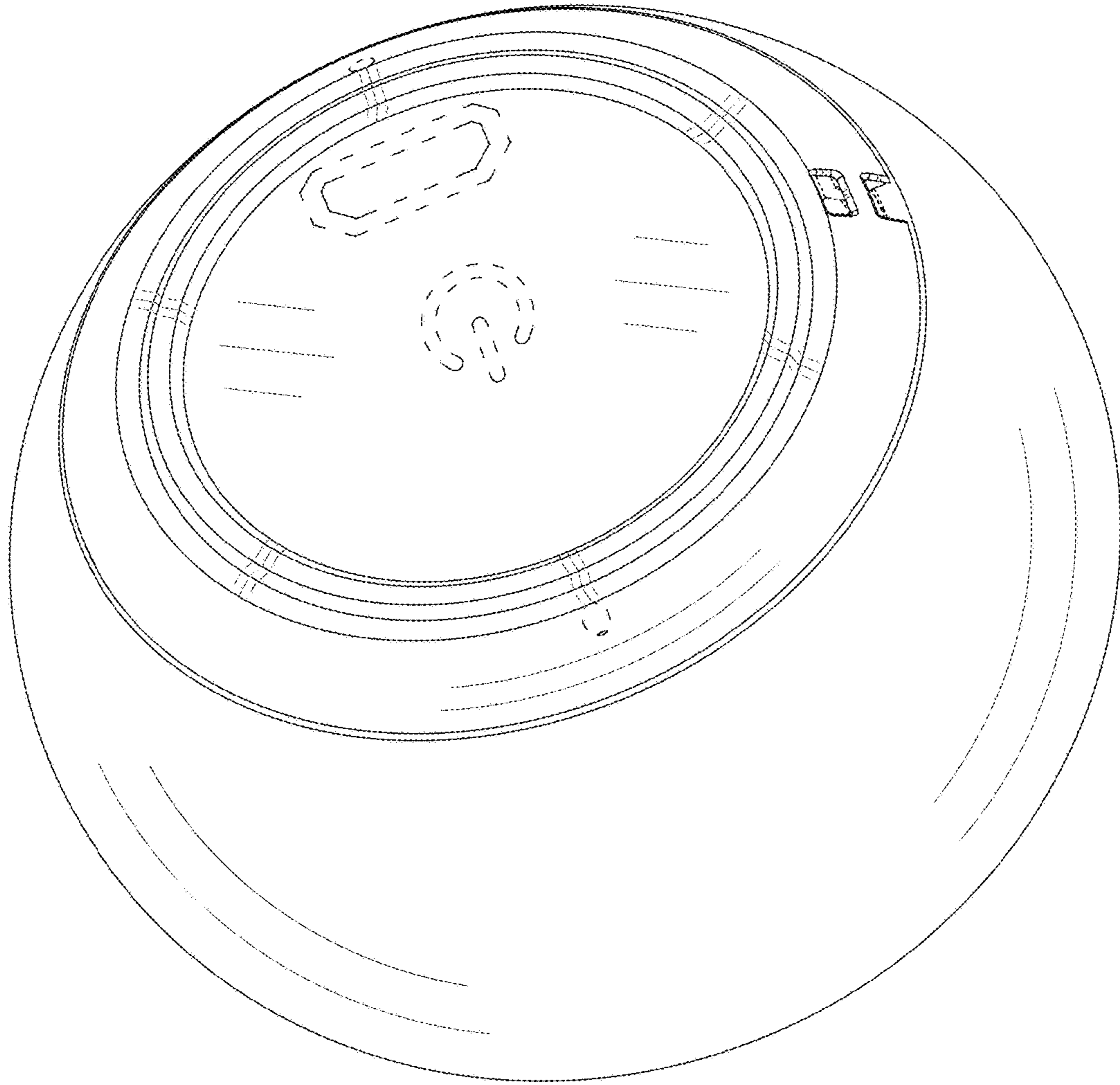


Fig. 9

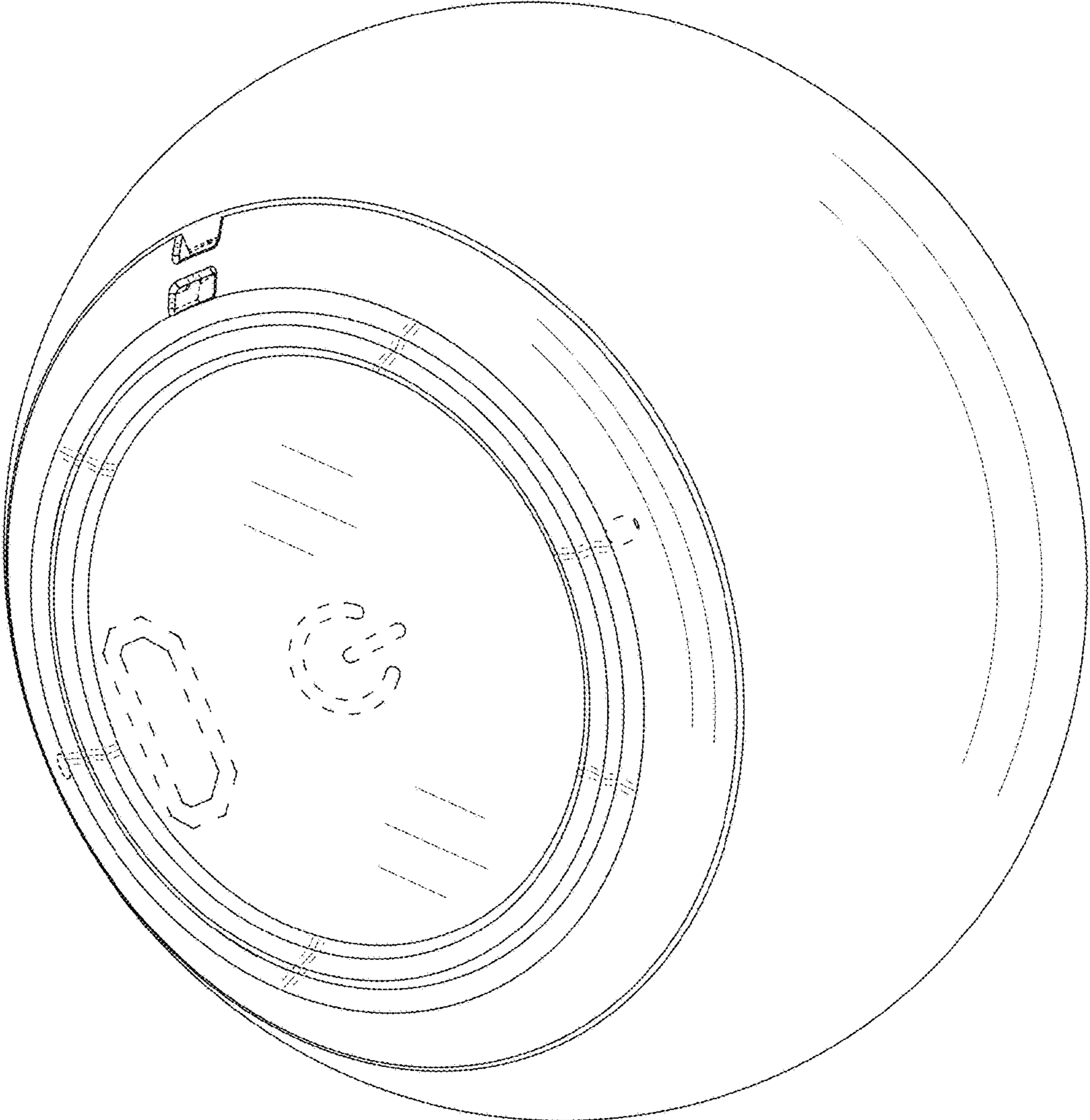


Fig. 10