



US00D828331S

(12) **United States Design Patent** (10) **Patent No.:** **US D828,331 S**
Li (45) **Date of Patent:** **** Sep. 11, 2018**

(54) **SPEAKER**

(71) Applicant: **Shenzhen Aukey E-Business Co., Ltd.**,
Shenzhen (CN)

(72) Inventor: **Yongzhu Li**, Shenzhen (CN)

(73) Assignee: **Shenzhen Aukey E-Business Co., Ltd.**,
Shenzhen (CN)

(**) Term: **15 Years**

(21) Appl. No.: **29/584,581**

(22) Filed: **Nov. 16, 2016**

(51) **LOC (11) Cl.** **14-03**

(52) **U.S. Cl.**
USPC **D14/216; D14/496**

(58) **Field of Classification Search**
USPC D14/167, 168, 170–172, 188, 194–196,
D14/204, 207, 209.1, 210–216, 219, 221,
D14/222, 224, 239, 496; 181/143, 144,
181/147, 148, 150, 153, 157, 198, 199;
381/300–303, 306, 332, 333, 336, 345,
381/361–364, 386–388; 369/6–12
CPC B60R 11/0217; G06F 1/1688; G10K 9/22;
G10K 11/004; H03F 1/327; H04M 1/03;
H04M 1/035; H04N 5/642; H04N
21/4852; H04R 1/02; H04R 1/06; H04R
1/021; H04R 1/025; H04R 1/026; H04R
1/028; H04R 1/105; H04R 1/323; H04R
1/403; H04R 1/2803; H04R 1/2834;
H04R 5/02; H04R 7/20; H04R 9/06;
H04R 9/025; H04R 2201/021; H04R
2400/00; H04R 2400/07; H04R 2499/11;
H04R 2499/13; H04R 2499/15; H04S
3/00; H04S 7/30

See application file for complete search history.

(56) **References Cited**

U.S. PATENT DOCUMENTS

D342,738 S *	12/1993	Hwang	D14/213
D474,169 S *	5/2003	Fletcher	D14/159
D629,390 S *	12/2010	Chen	D14/215
D719,138 S *	12/2014	Schwartz	D14/216
D728,522 S *	5/2015	Zhang	D14/216
D742,359 S *	11/2015	Zhao	D14/216
D760,697 S *	7/2016	Zhao	D14/216
D769,225 S *	10/2016	Hua	D14/216
D782,441 S *	3/2017	Morrison	D14/204

* cited by examiner

Primary Examiner — Keli L Hill

(74) *Attorney, Agent, or Firm* — JiangIP LLC; Yanling
Jiang

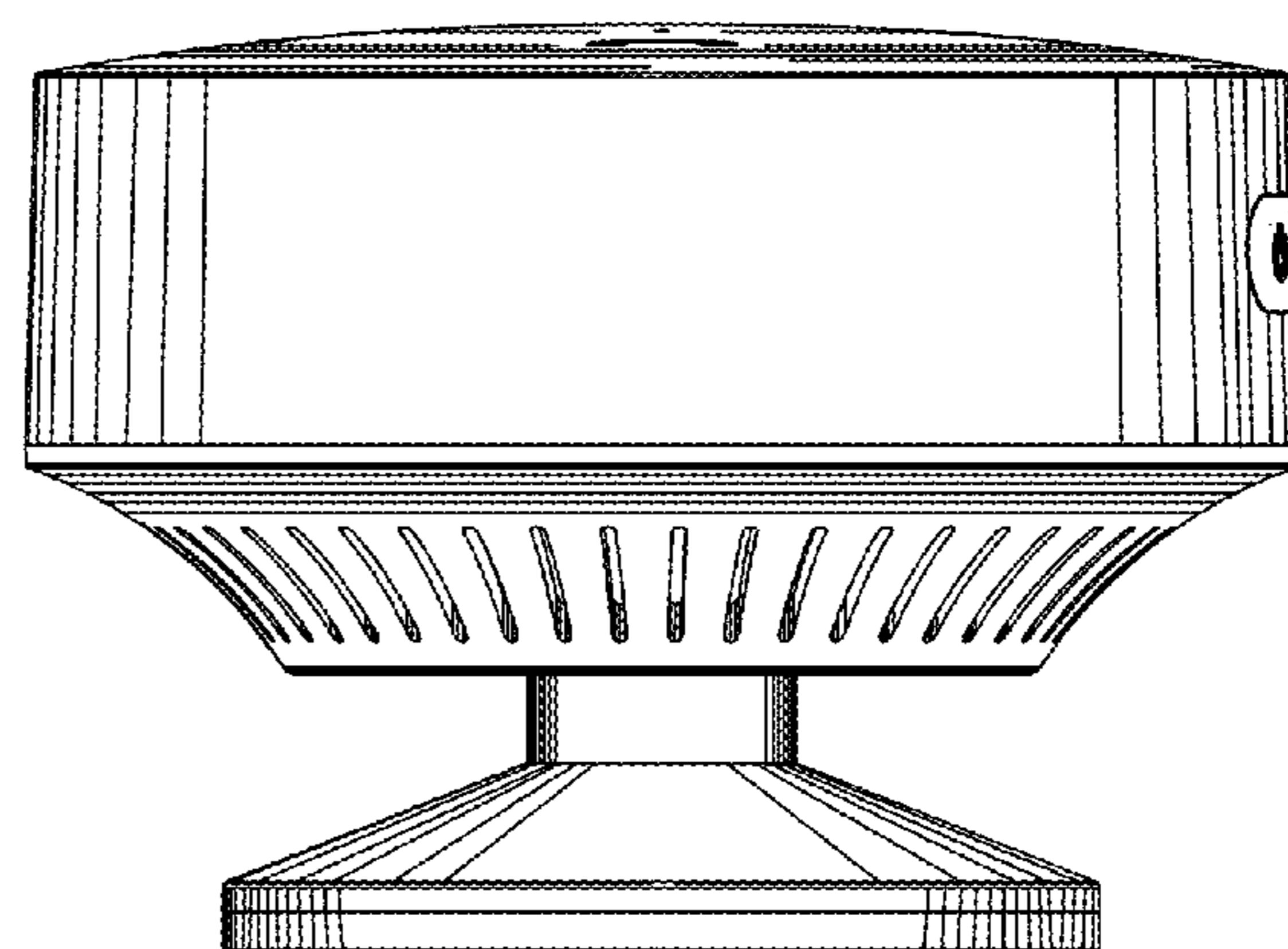
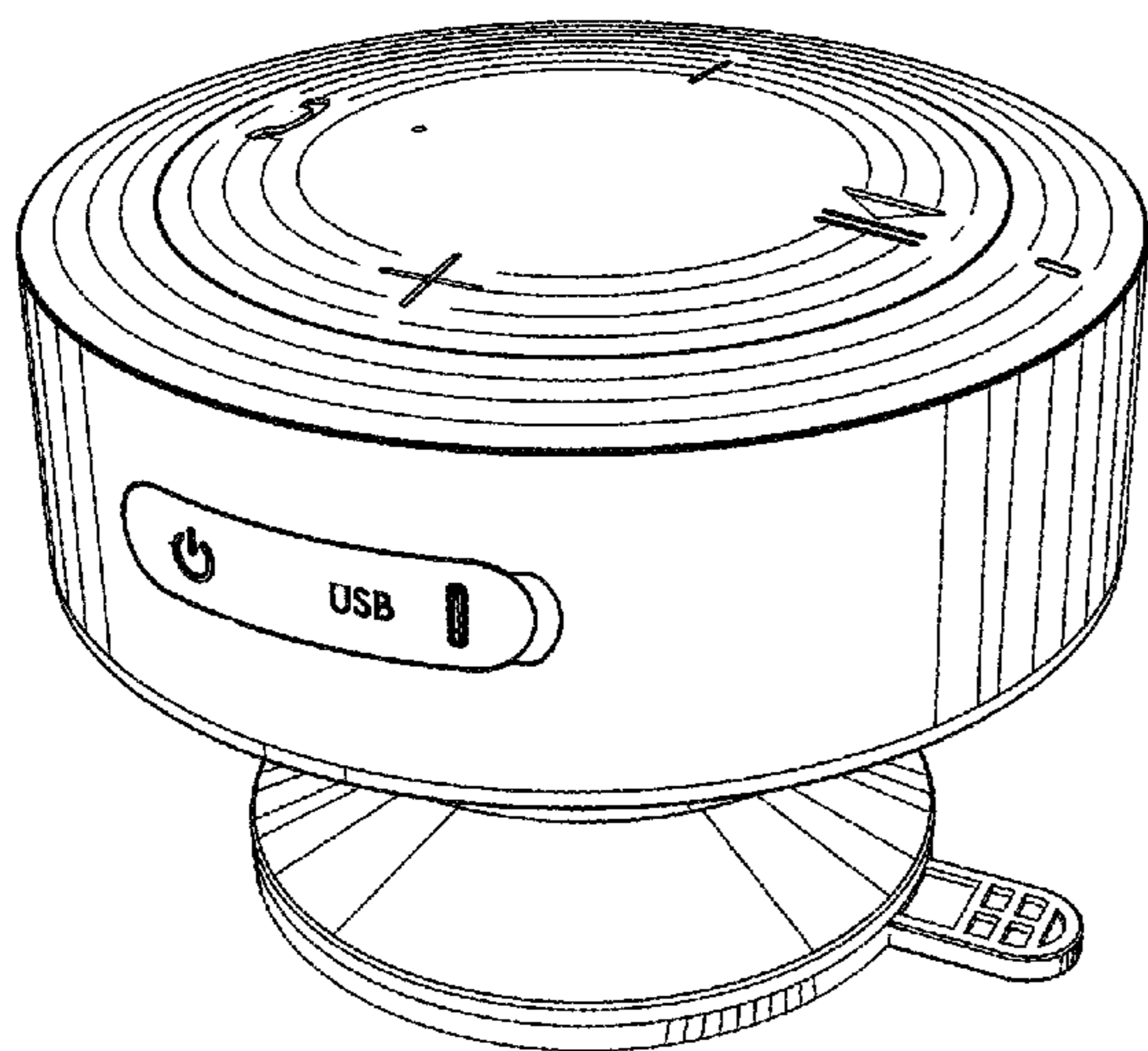
(57) **CLAIM**

The ornamental design for a speaker, as shown and
described.

DESCRIPTION

FIG. 1 is a perspective view showing a speaker.
FIG. 2 is a front view of a speaker.
FIG. 3 is a rear view of a speaker.
FIG. 4 is a top view of a speaker.
FIG. 5 is a bottom view of a speaker.
FIG. 6 is a side view of a speaker; and,
FIG. 7 is a side view of a speaker.
The dot-dot-dash broken lines represent the bounds of the
claimed design while all other broken lines are included for
the purpose of illustrating portions of the speaker; the
broken lines form no part of the claimed design.

1 Claim, 7 Drawing Sheets



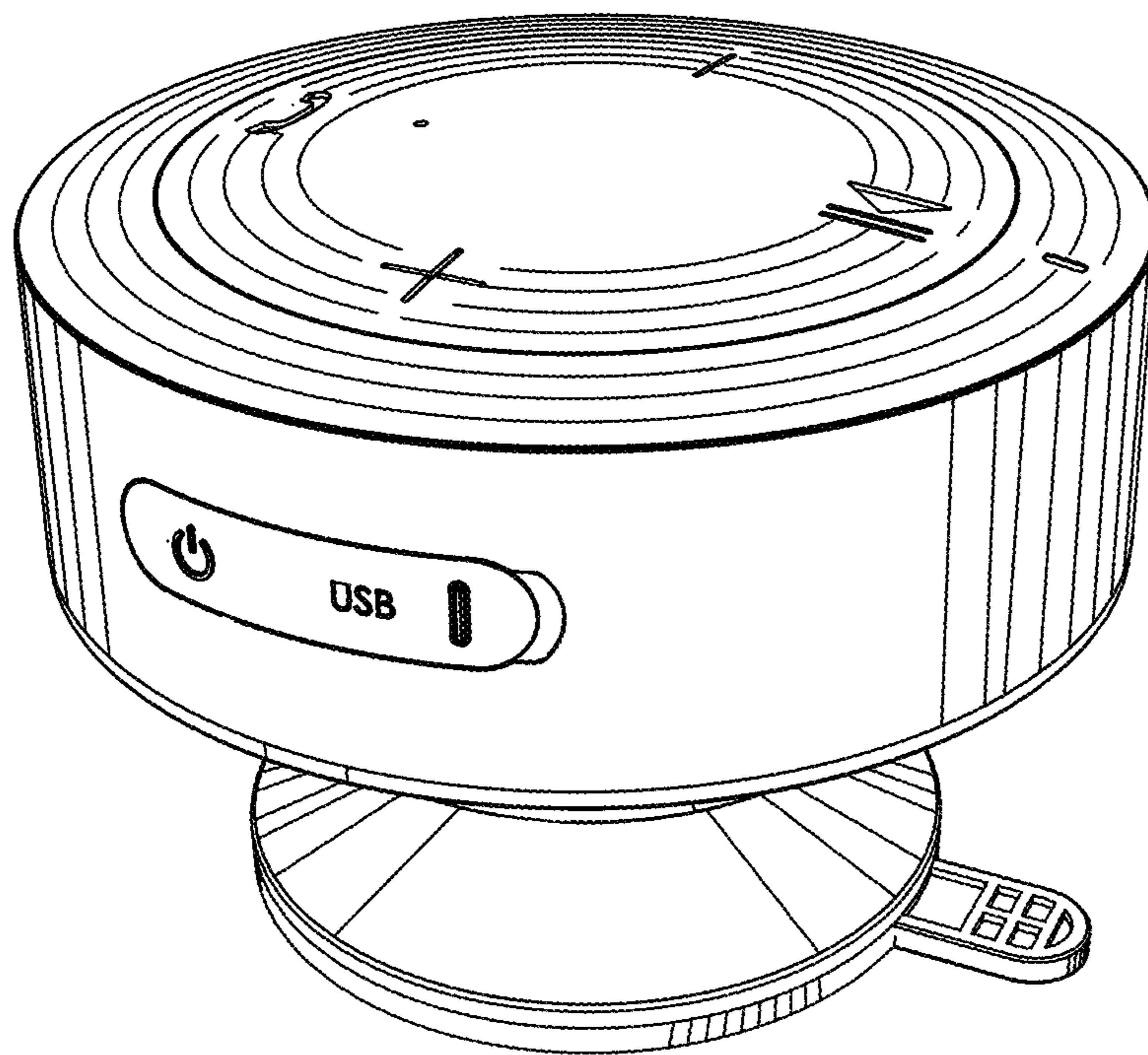


Fig. 1

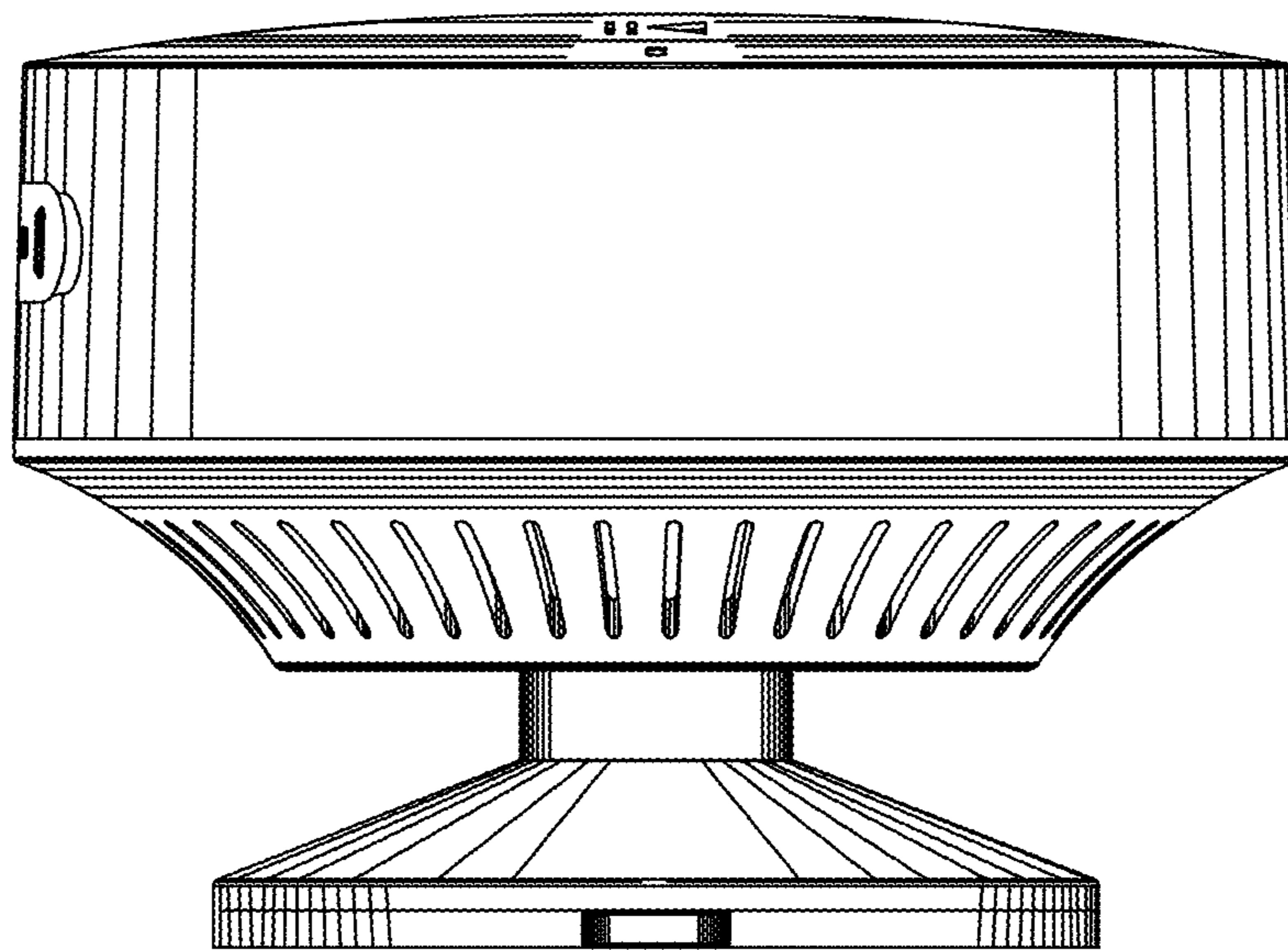


Fig. 2

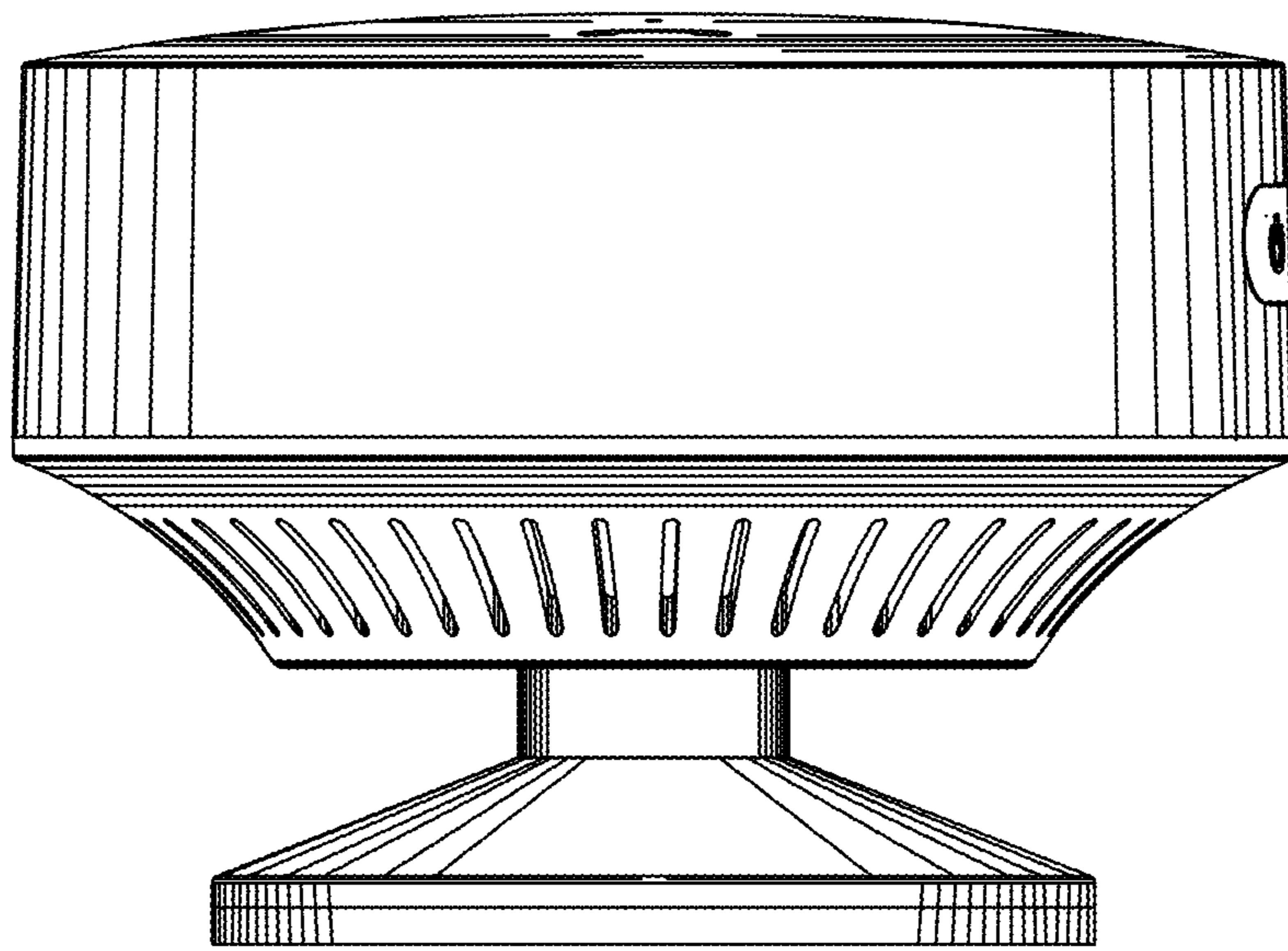


Fig. 3

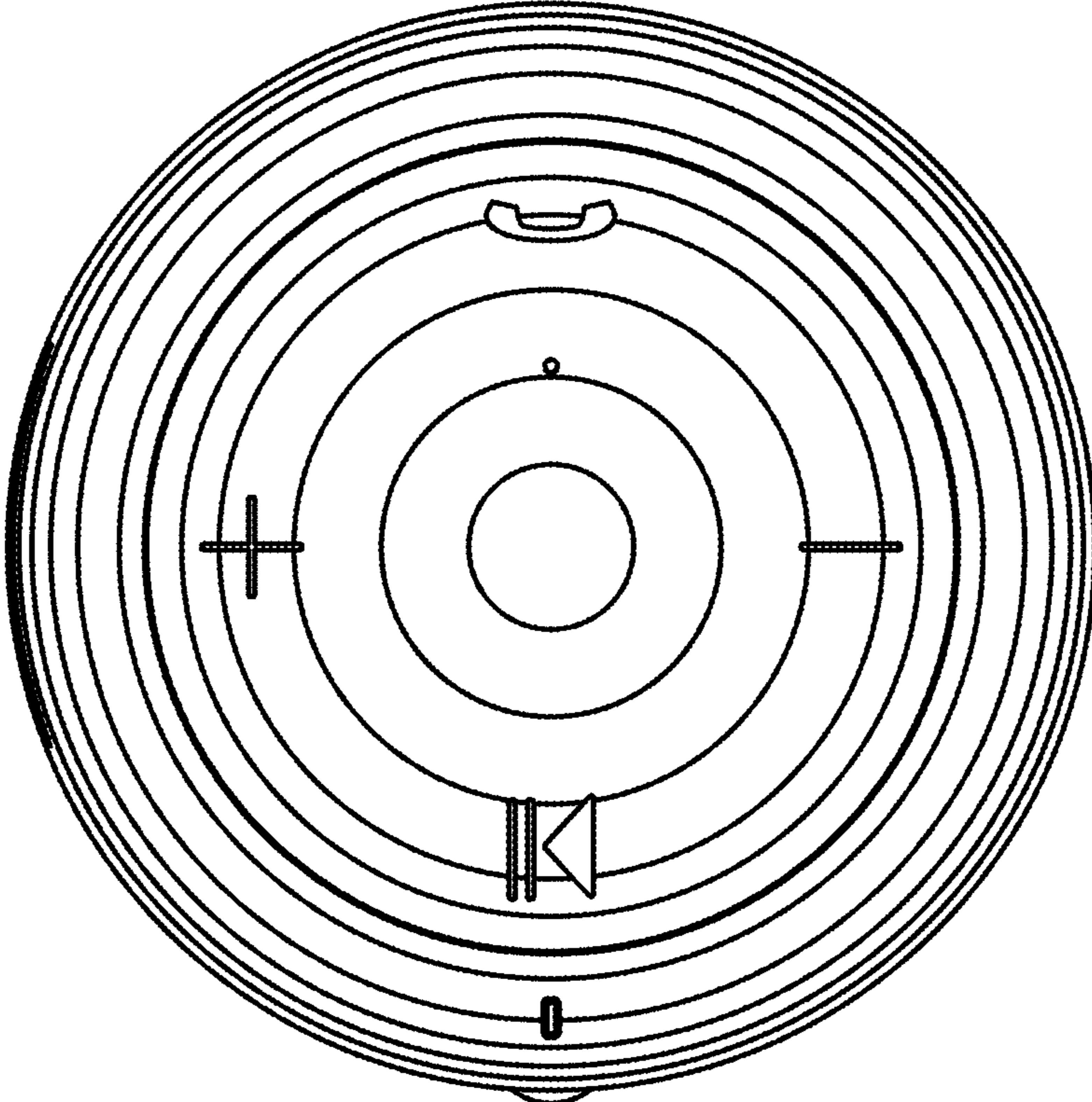


Fig. 4

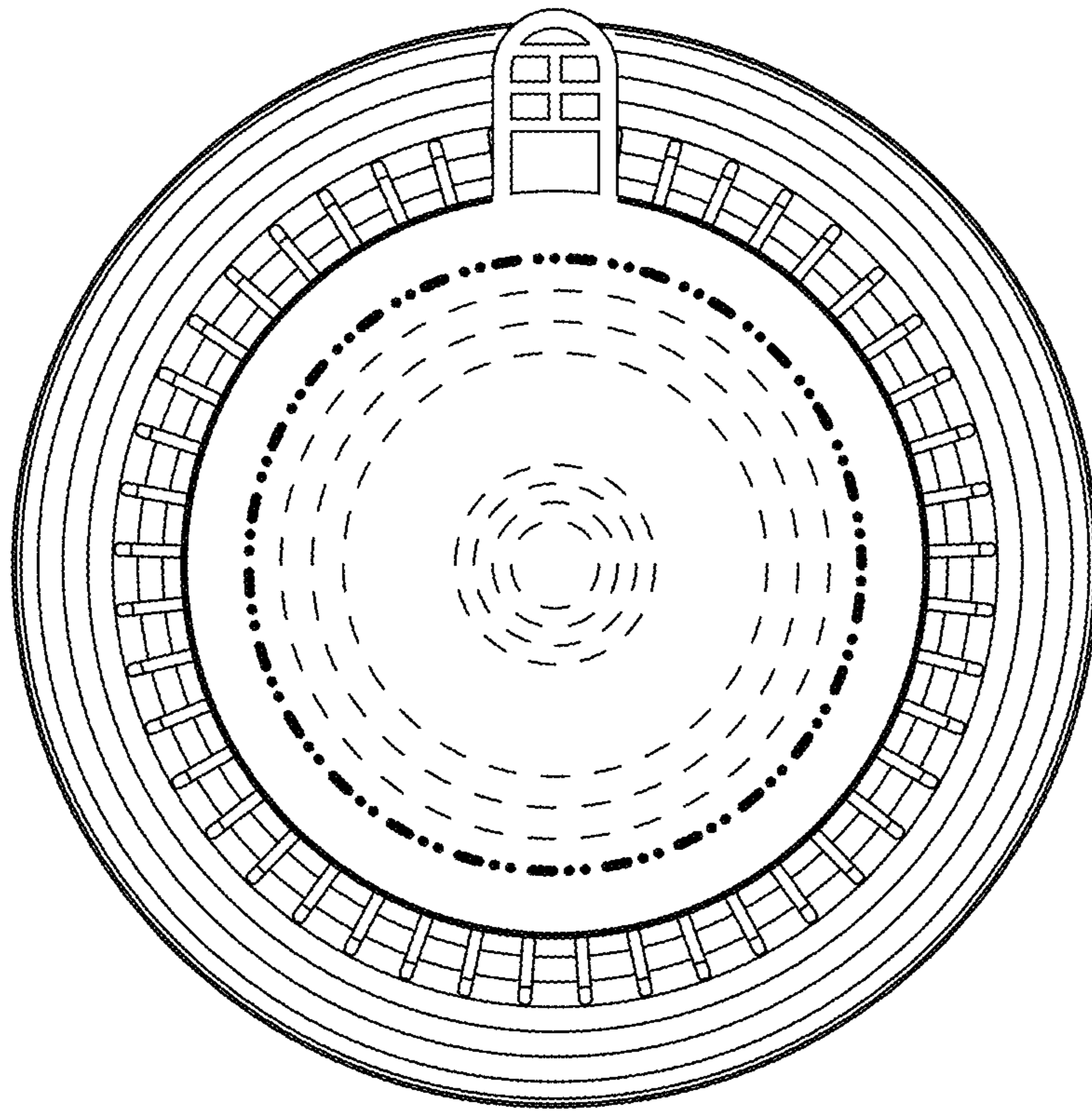


Fig. 5

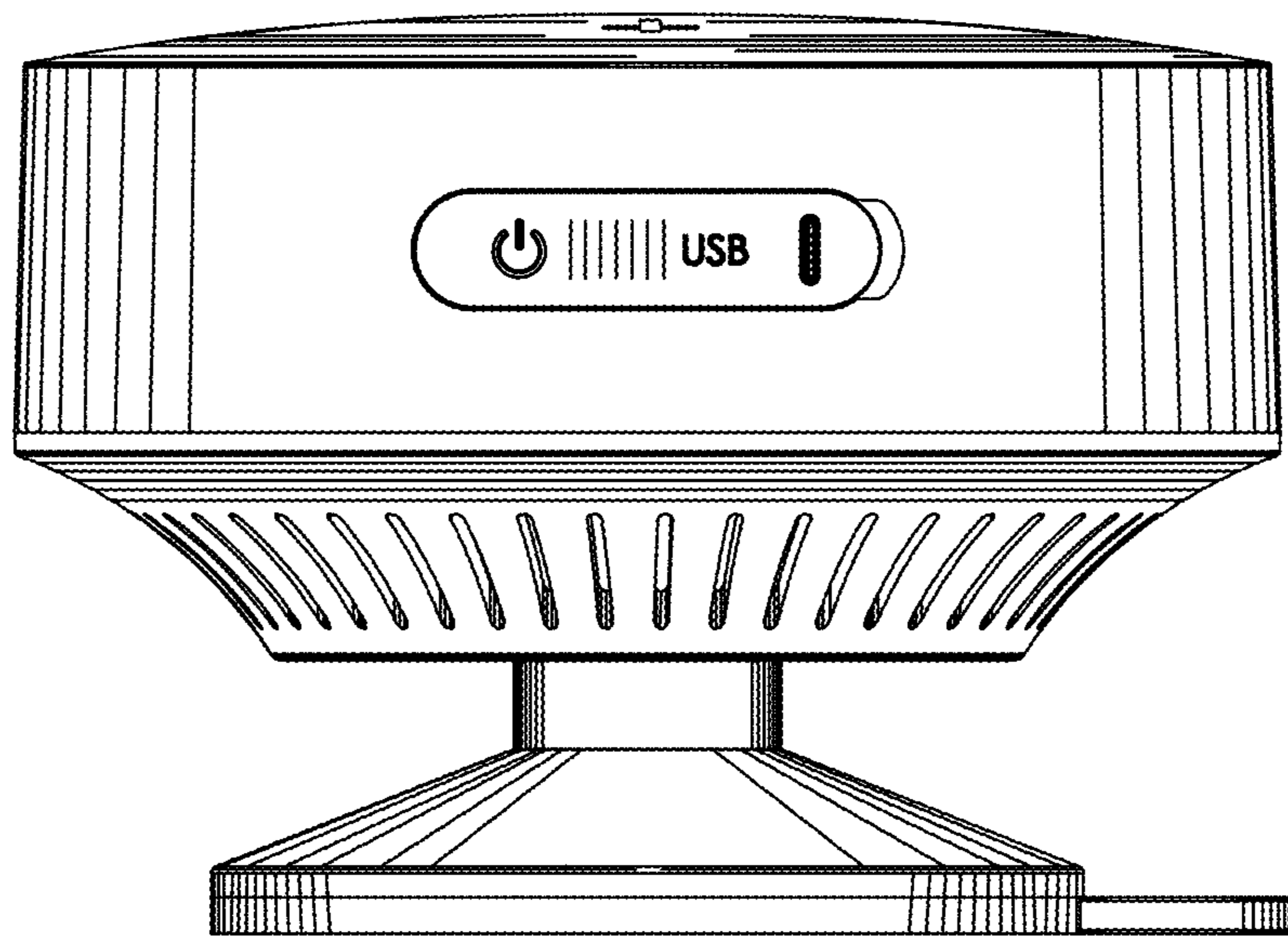


Fig. 6

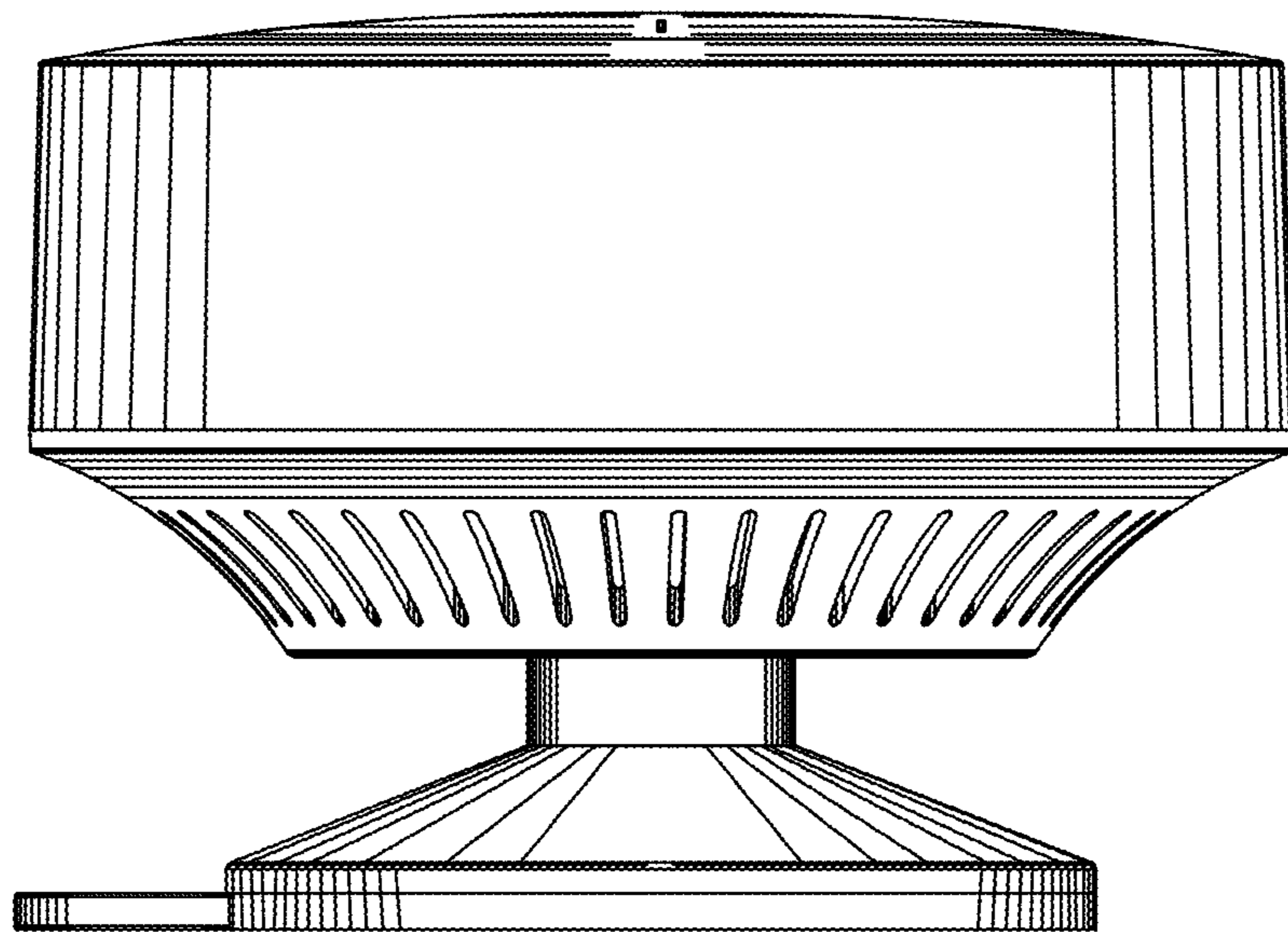


Fig. 7