



US00D828327S

(12) **United States Design Patent**
Birger

(10) **Patent No.:** **US D828,327 S**

(45) **Date of Patent:** **** Sep. 11, 2018**

(54) **HEADSET**

(71) Applicant: **GN Netcom A/S**, Ballerup (DK)

(72) Inventor: **Johan Birger**, Ballerup (DK)

(73) Assignee: **GN Netcom A/S** (DK)

(**) Term: **15 Years**

(21) Appl. No.: **29/603,518**

(22) Filed: **May 10, 2017**

Related U.S. Application Data

(62) Division of application No. 29/550,573, filed on Jan. 5, 2016.

(30) **Foreign Application Priority Data**

Jul. 8, 2015 (EM) 002733212-0001

(51) **LOC (11) Cl.** **14-01**

(52) **U.S. Cl.**
USPC **D14/206**; D14/223

(58) **Field of Classification Search**
USPC D14/206, 205, 223; D24/174; 181/129,
181/130, 135; 379/430, 431; 381/380,
381/381, 375, 374; 455/90.3, 575.1,
455/569.1

CPC H04R 1/10; H04R 25/00; H04R 25/02;
H04R 1/1016; H04R 1/1066; H04R
5/033; H04R 5/0335

See application file for complete search history.

(56) **References Cited**

U.S. PATENT DOCUMENTS

1,406,510 A * 2/1922 Weber H04R 1/1016
381/328
4,091,497 A * 5/1978 Bade B25G 1/10
16/430

4,917,504 A 4/1990 Scott
5,210,792 A 5/1993 Kajihara
D366,486 S 1/1996 Runquist
D403,327 S 12/1998 Landreth
D439,890 S 4/2001 Skulley
D443,871 S 6/2001 Hofstede
D451,089 S 11/2001 Hohl
D451,907 S 12/2001 Amae
D452,857 S 1/2002 Hong
D455,417 S 4/2002 Bey
D455,732 S 4/2002 Skulley
D457,513 S * 5/2002 Pirelli D14/223
D460,960 S * 7/2002 Kao D14/223
D462,943 S 9/2002 Lucaci
D464,943 S 10/2002 Lai
D471,889 S * 3/2003 Rath D14/205
D471,898 S * 3/2003 Bae D14/205
D478,574 S 8/2003 Ming
6,760,459 B2 * 7/2004 Bae H04R 1/1025
379/430
D494,569 S 8/2004 Ma
(Continued)

Primary Examiner — Paula Allen Greene

(74) *Attorney, Agent, or Firm* — Altera Law Group, LLC

(57) **CLAIM**

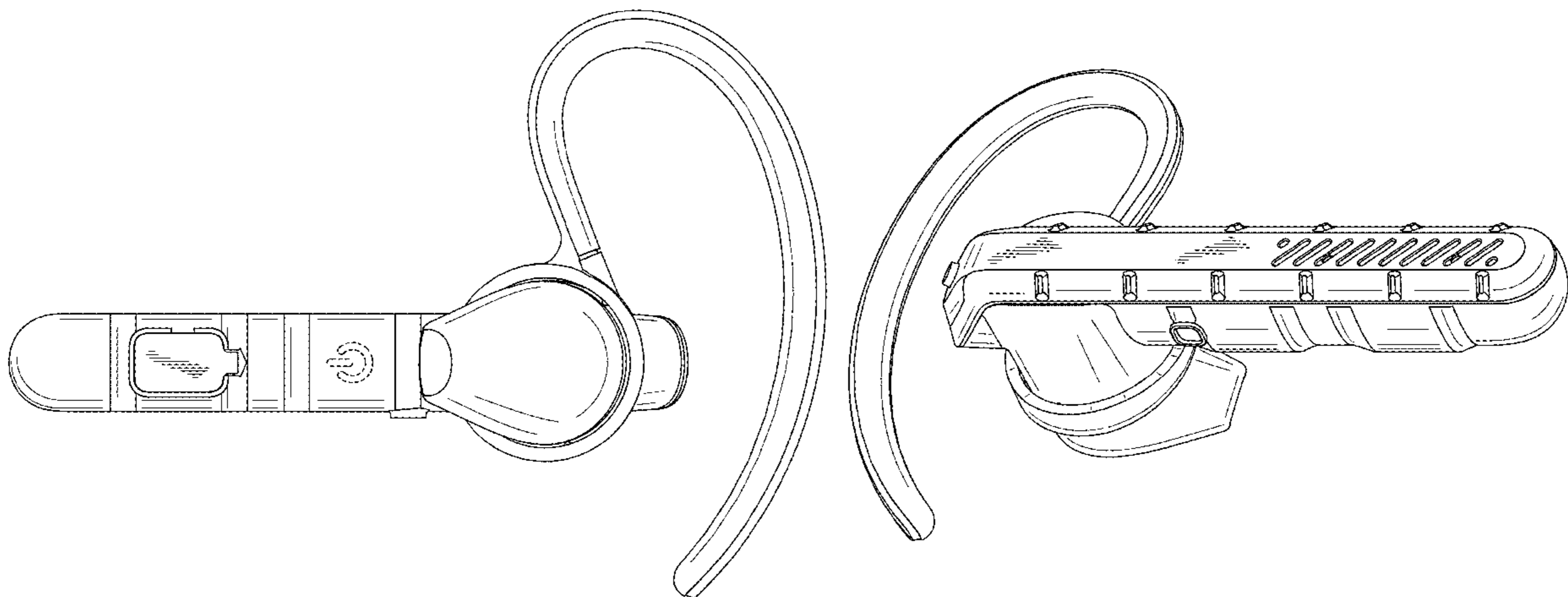
The ornamental design for a headset, as shown and described.

DESCRIPTION

FIG. 1 is a front view of the headset;
FIG. 2 is a bottom view thereof;
FIG. 3 is a top view thereof;
FIG. 4 is a left side view thereof;
FIG. 5 is a right side view thereof;
FIG. 6 is a back view thereof; and,
FIG. 7 is a perspective view thereof.

The features shown in broken lines depict environmental subject matter only and form no part of the claimed design.

1 Claim, 7 Drawing Sheets



(56)

References Cited

U.S. PATENT DOCUMENTS

6,771,790 B2 8/2004 Liu
 D500,999 S 1/2005 Dyer
 D502,171 S * 2/2005 Tang D14/205
 D506,994 S 7/2005 Olson
 D508,485 S 8/2005 Katsumata
 D510,082 S 9/2005 Olson
 D512,991 S 12/2005 Yano
 D517,054 S * 3/2006 Yang D14/205
 7,020,300 B1 * 3/2006 Villaverde H04R 1/1058
 381/374
 D518,479 S 4/2006 Skulley
 D526,313 S 8/2006 Murray
 D528,529 S 9/2006 Rose
 D528,531 S 9/2006 Rose
 D529,480 S 10/2006 Wittenbrock
 D533,540 S * 12/2006 Murray D14/205
 D533,865 S 12/2006 Wittenbrock
 D538,271 S * 3/2007 Kim D14/223
 D538,784 S * 3/2007 Eklund D14/205
 D538,792 S 3/2007 Kim
 D539,782 S * 4/2007 Lee D14/188
 D539,787 S * 4/2007 Kim D14/223
 D540,303 S 4/2007 Rausch
 D541,256 S 4/2007 Rausch
 D542,267 S 5/2007 Cha
 D550,658 S * 9/2007 Wang D14/223
 D552,596 S * 10/2007 Christopher D14/205
 D561,743 S * 2/2008 Huang D14/223
 D562,310 S * 2/2008 Moon D14/223
 D565,033 S * 3/2008 Goransson D14/223
 D569,842 S * 5/2008 Yang D14/205
 D573,983 S * 7/2008 Bang D14/223
 D574,366 S * 8/2008 Sade D14/223
 D581,396 S 11/2008 Wikel
 D581,900 S 12/2008 Caddes
 D582,388 S 12/2008 Nielsen

D582,397 S * 12/2008 Christopher D14/205
 D584,719 S 1/2009 Brennwald
 D590,378 S * 4/2009 Bradford D14/223
 D590,813 S * 4/2009 Bradford D14/205
 D592,190 S * 5/2009 Birger D14/223
 D595,698 S * 7/2009 Guccione D14/223
 D597,084 S 7/2009 Gondo
 D598,900 S * 8/2009 Wikel D14/223
 D603,372 S 11/2009 Bentley
 D604,272 S * 11/2009 Kitayama D14/223
 D612,834 S 3/2010 Yang
 D612,835 S 3/2010 Yang
 D612,840 S 3/2010 Yang
 7,708,110 B2 5/2010 Leong
 7,778,410 B2 * 8/2010 Liu H04M 1/05
 379/430
 D623,629 S * 9/2010 Lau D14/223
 D625,536 S * 10/2010 Moed D6/518
 D626,536 S * 11/2010 Birger D14/223
 7,841,446 B2 11/2010 Leong
 D635,960 S 4/2011 Gondo
 D636,763 S * 4/2011 Walter D14/223
 D647,877 S 11/2011 Son
 D681,014 S 4/2013 Ham
 D695,720 S * 12/2013 Chee D14/206
 D706,243 S * 6/2014 Brandis H04M 1/00
 D14/206
 D726,147 S 4/2015 Tran
 D733,101 S * 6/2015 Pi D14/223
 D746,260 S 12/2015 Goransson
 D746,267 S * 12/2015 Birger D14/223
 D750,043 S * 2/2016 Birger D14/206
 9,307,311 B2 4/2016 Tran
 D761,770 S 7/2016 Kanou
 D762,623 S * 8/2016 Gondo D14/223
 D813,849 S * 3/2018 Andreen D14/223
 D814,444 S * 4/2018 Liu D14/223
 2003/0174853 A1 9/2003 Howes

* cited by examiner

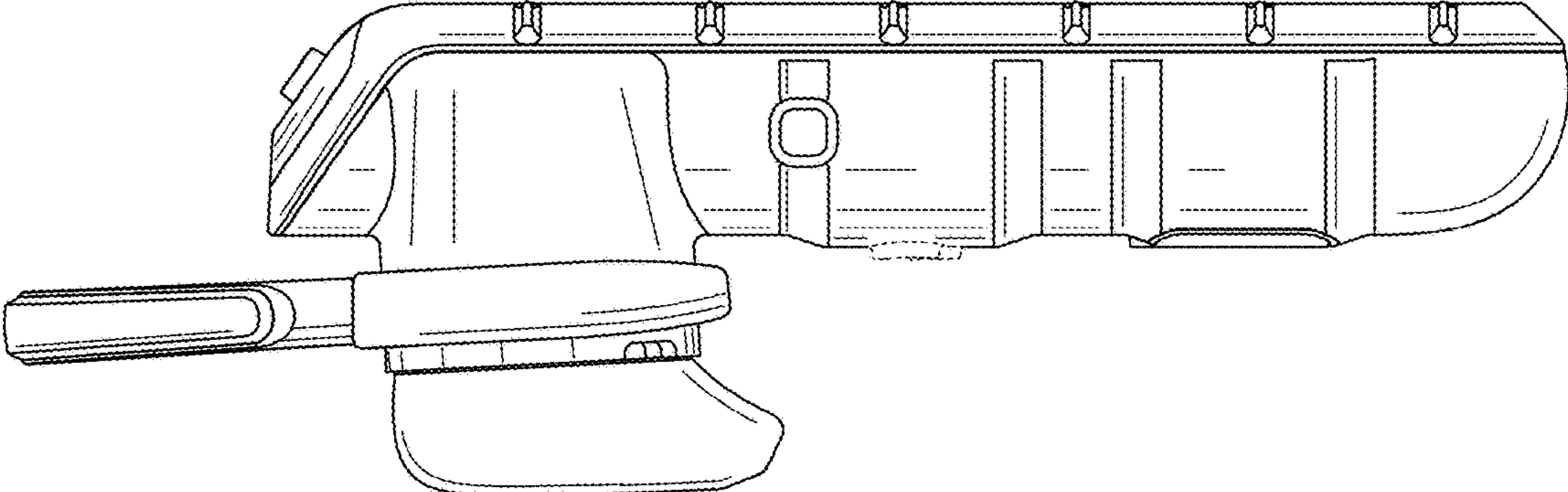


FIG. 1

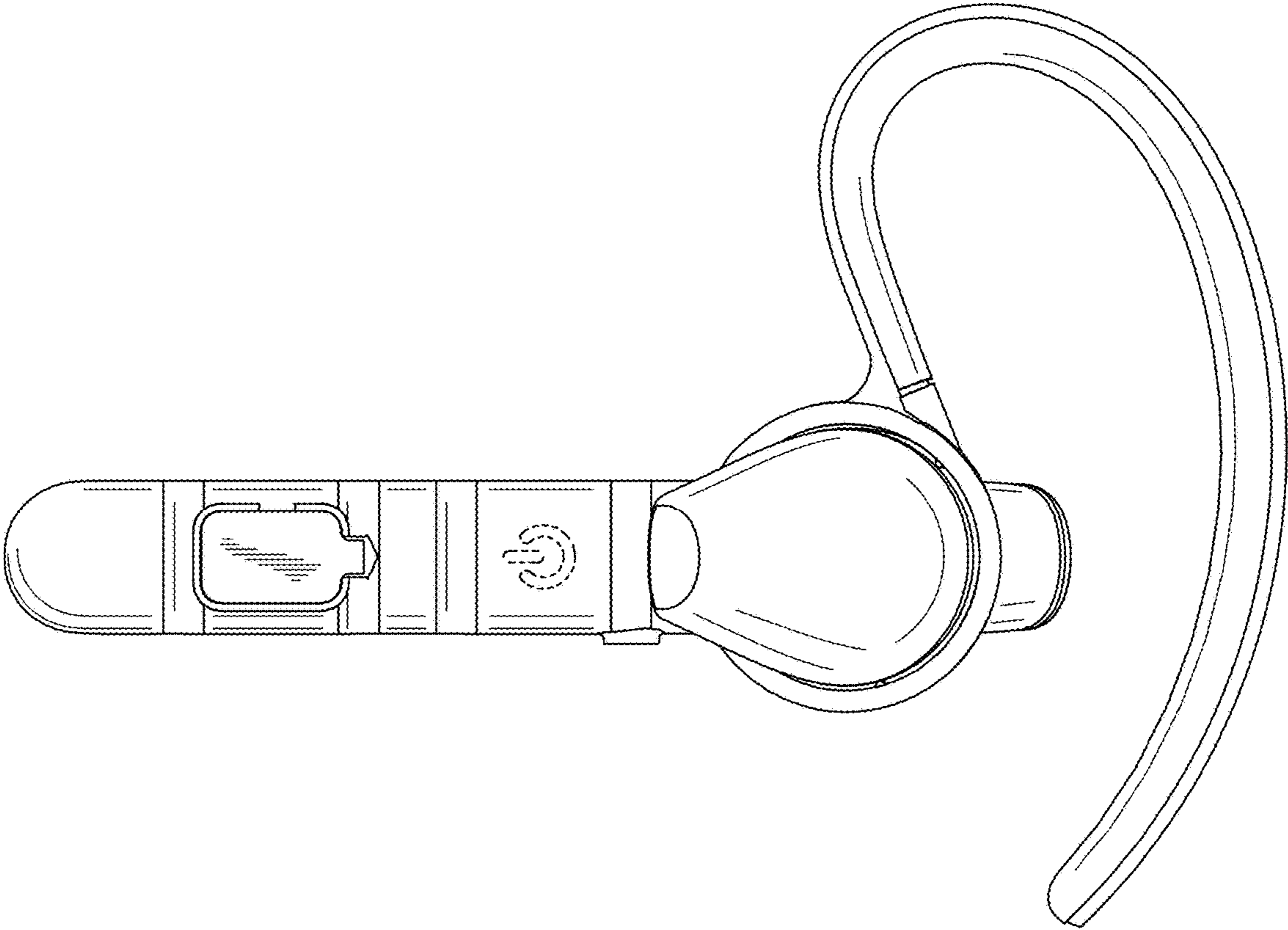


FIG. 2

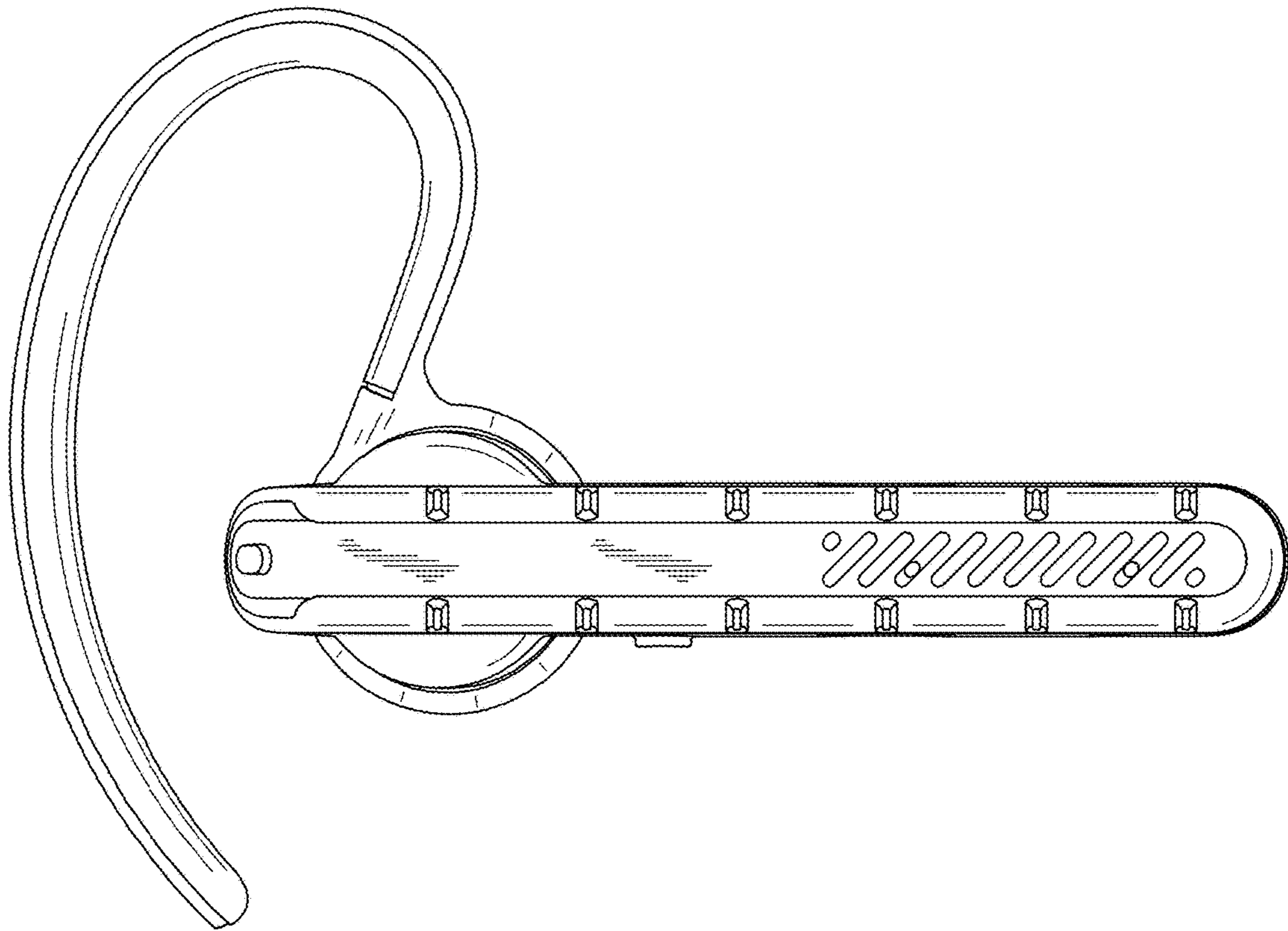


FIG. 3

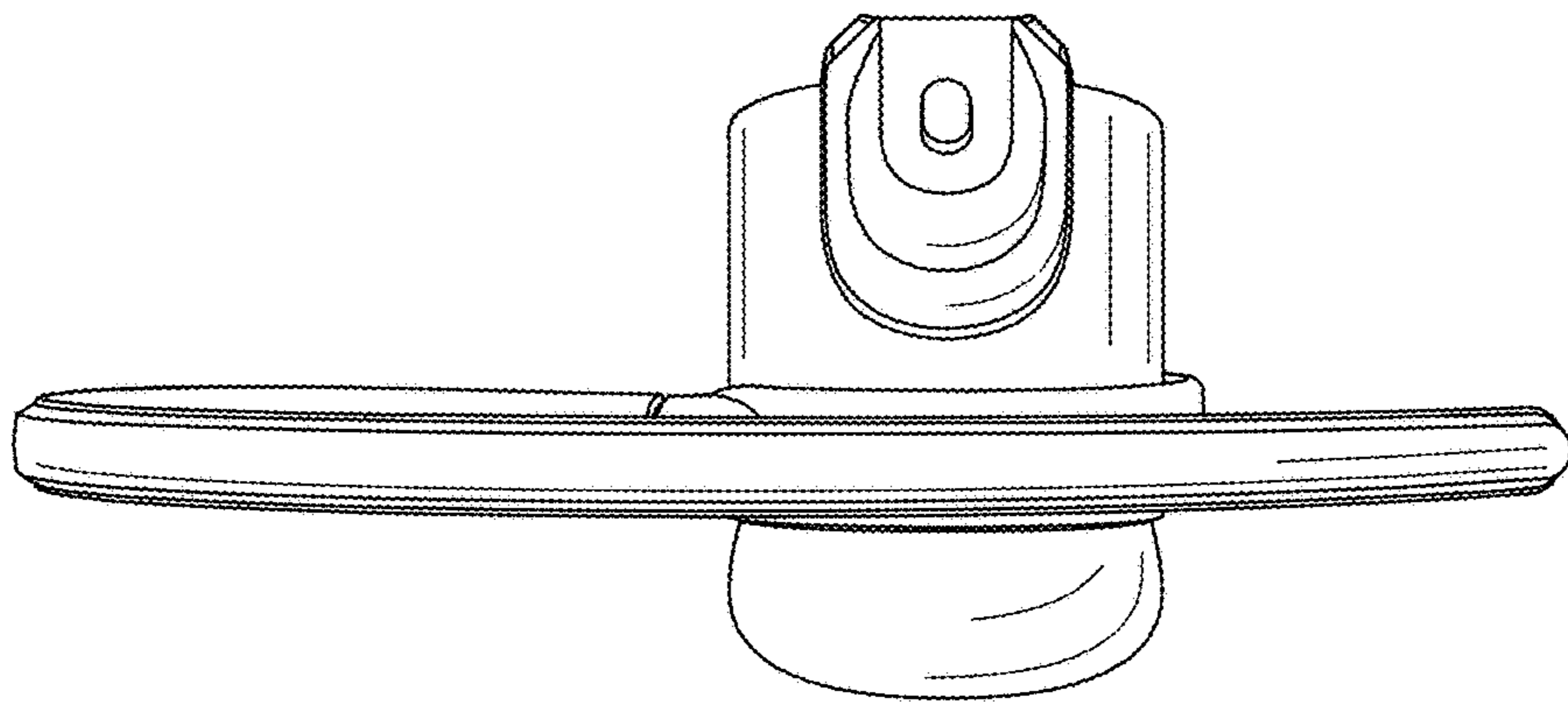


FIG. 4

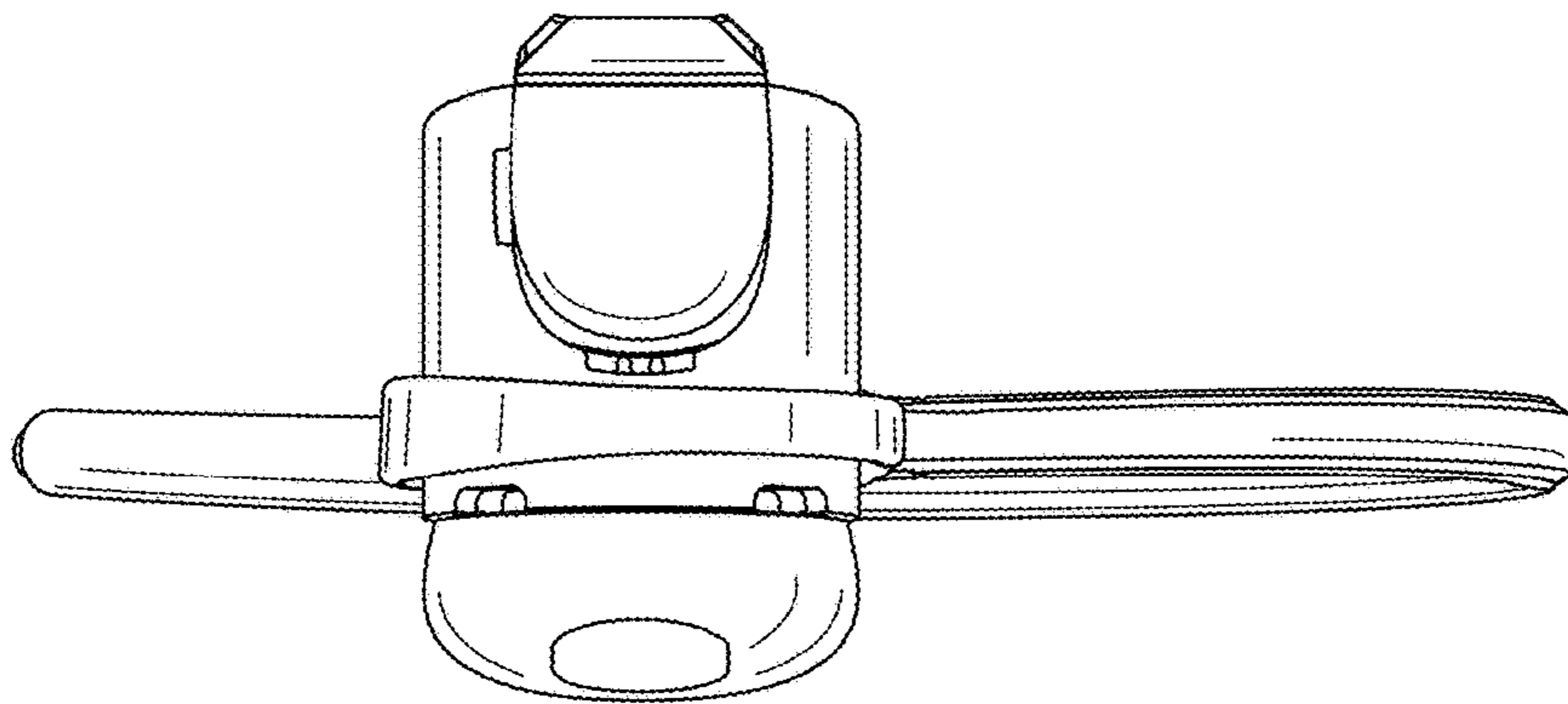


Fig. 5

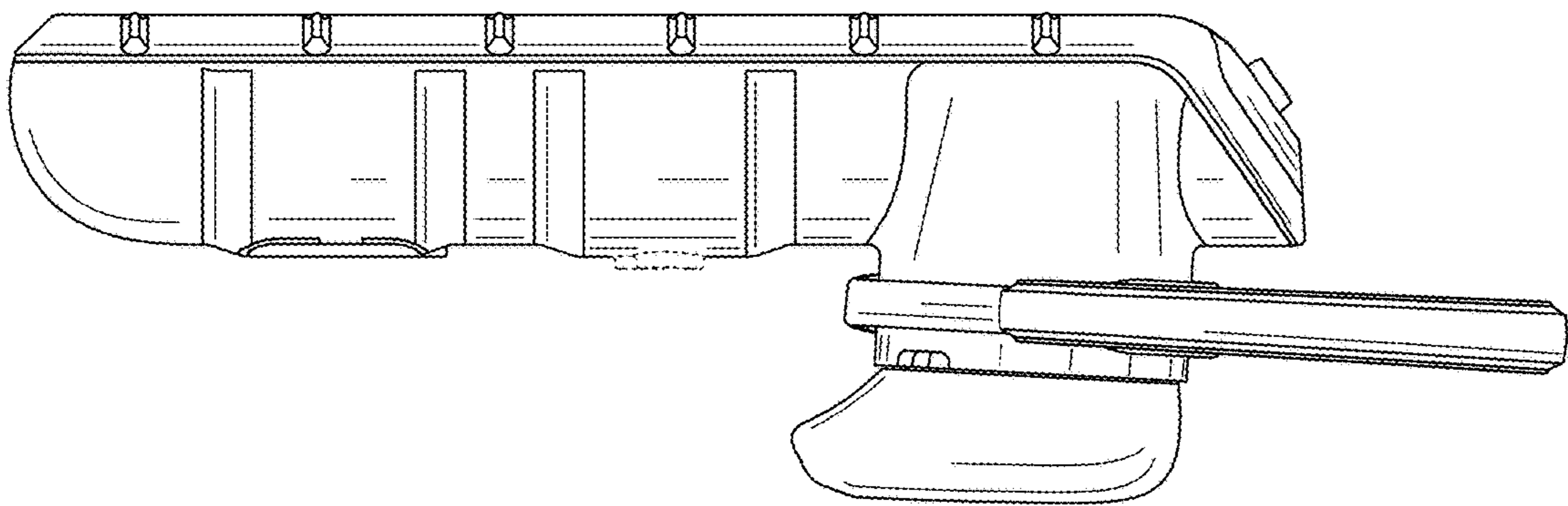


FIG. 6

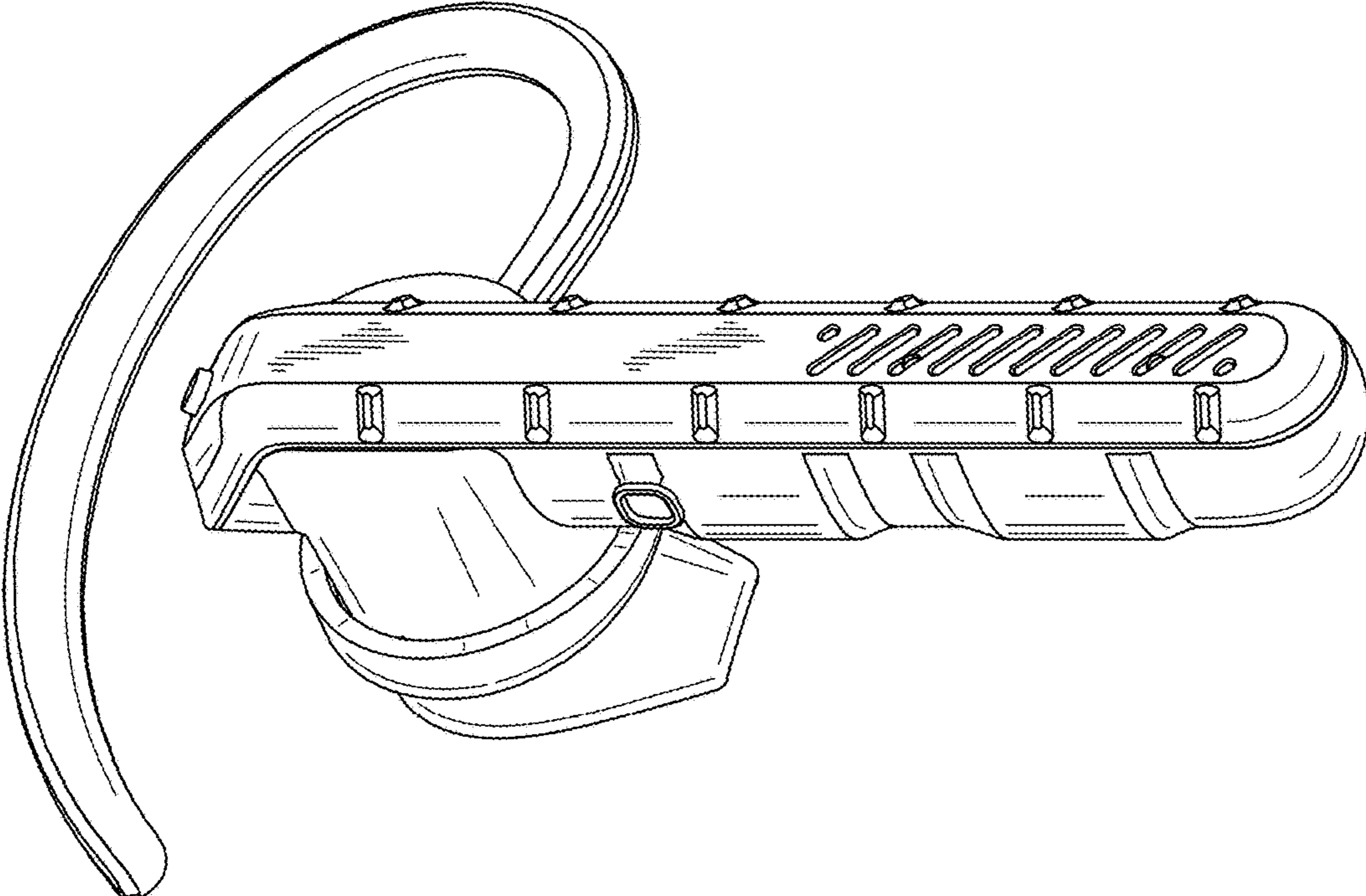


FIG. 7