



US00D828326S

(12) **United States Design Patent**  
**Ye**

(10) **Patent No.:** **US D828,326 S**  
(45) **Date of Patent:** **\*\* Sep. 11, 2018**

- (54) **NOISE CANCELING HEADPHONES**
- (71) Applicant: **Shenzhen Aukey E-Business Co., Ltd.**,  
Shenzhen (CN)
- (72) Inventor: **Shisuo Ye**, Shenzhen (CN)
- (73) Assignee: **Shenzhen Aukey E-Business Co., Ltd.**,  
Shenzhen (CN)
- (\*\*) Term: **15 Years**
- (21) Appl. No.: **29/584,573**
- (22) Filed: **Nov. 16, 2016**
- (51) **LOC (11) Cl.** ..... **14-01**
- (52) **U.S. Cl.**  
USPC ..... **D14/205**
- (58) **Field of Classification Search**  
USPC ..... D14/205, 223, 188, 192; D29/112;  
2/209; 181/129, 130, 135; 381/380, 381,  
381/74, 374, 383; 455/90.3, 575.1,  
455/569.1; 379/430, 431  
CPC ..... H04R 1/1016; H04R 1/1066; H04R 1/10;  
H04R 5/033; H04R 5/0335; H04R 25/00  
See application file for complete search history.

- D600,674 S \* 9/2009 Brennwald ..... D14/205
- D632,668 S \* 2/2011 Brunner ..... D14/205
- D639,776 S \* 6/2011 Arimoto ..... D14/205
- 8,098,872 B2 \* 1/2012 Chang ..... H04R 1/1075  
381/370
- D660,823 S \* 5/2012 Hardi ..... D14/205
- D660,824 S \* 5/2012 Hardi ..... D14/205
- D662,080 S \* 6/2012 Carr ..... D14/205
- D663,716 S \* 7/2012 Hardi ..... D14/205
- D665,775 S \* 8/2012 Katsumata ..... D14/205
- D666,990 S \* 9/2012 Komiyama ..... D14/205
- D673,136 S \* 12/2012 Kelly ..... D14/205
- D677,243 S \* 3/2013 Kitayama ..... D14/205
- D691,984 S \* 10/2013 Wang ..... D14/205
- 8,675,885 B2 \* 3/2014 Sapiejewski ..... H04R 1/105  
381/58

(Continued)

*Primary Examiner* — Paula Allen Greene

(74) *Attorney, Agent, or Firm* — JiangIP LLC; Yanling Jiang

(56) **References Cited**

**U.S. PATENT DOCUMENTS**

- 1,606,165 A \* 11/1926 Glenn ..... H01B 7/04  
123/633
- D328,074 S \* 7/1992 Yamazaki ..... D14/205
- D328,461 S \* 8/1992 Daido ..... D14/205
- D476,639 S \* 7/2003 Bergeron ..... D14/205
- D494,485 S \* 8/2004 Schiene ..... D10/71
- D504,414 S \* 4/2005 Yoshida ..... D14/192
- D573,581 S \* 7/2008 Gondo ..... D14/205
- D584,715 S \* 1/2009 Brennwald ..... D14/205
- D585,871 S \* 2/2009 Lee ..... D14/205
- D592,182 S \* 5/2009 Sanguinetti ..... D14/205
- D594,847 S \* 6/2009 Suzuki ..... D14/205

(57) **CLAIM**

The ornamental design for noise canceling headphones, as shown and described.

**DESCRIPTION**

FIG. 1 is a perspective view showing noise canceling headphones.

FIG. 2 is a front view of noise canceling headphones.

FIG. 3 is a rear view of noise canceling headphones.

FIG. 4 is a top view of noise canceling headphones.

FIG. 5 is a bottom view of noise canceling headphones.

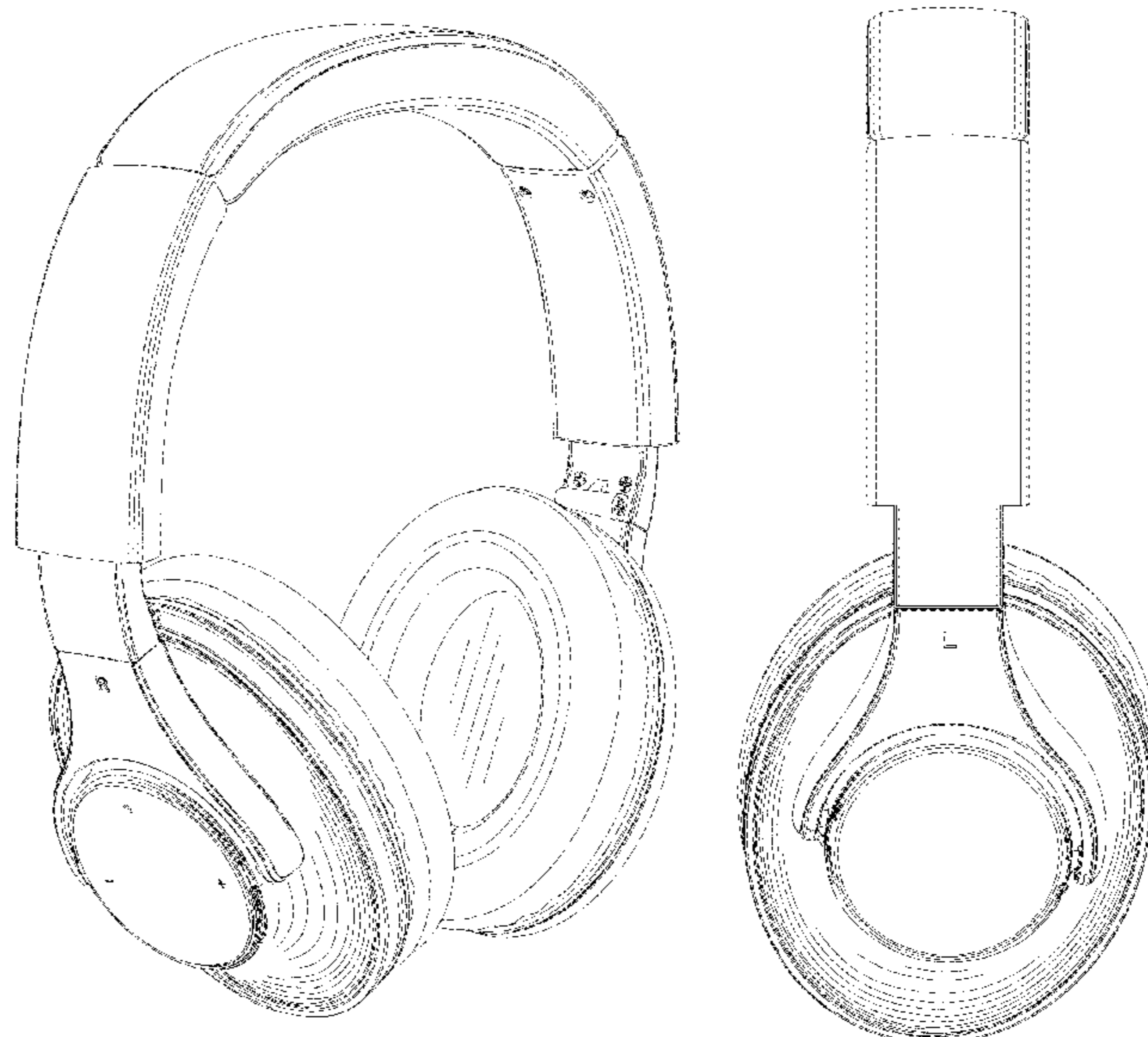
FIG. 6 is a side view of noise canceling headphones; and,

FIG. 7 is a side view of noise canceling headphones.

The broken lines depict environment that forms no part of the claimed design.

The broken lines shown including the mostly rectangular member on the headphone below the folding mechanism in the perspective view of FIG. 1, the front view of FIG. 2, and the rear view of FIG. 3.

**1 Claim, 7 Drawing Sheets**



(56)

**References Cited**

U.S. PATENT DOCUMENTS

D705,750 S \* 5/2014 Wu ..... H04R 1/1066  
D14/205  
D706,240 S \* 6/2014 Szymanski ..... H04R 1/1066  
D14/205  
D706,241 S \* 6/2014 Szymanski ..... H04R 1/1066  
D14/205  
D707,653 S \* 6/2014 Hardi ..... H04R 1/10  
D14/205  
D715,255 S \* 10/2014 Nunez ..... D14/205  
D719,136 S \* 12/2014 Schaal ..... D14/205  
D721,052 S \* 1/2015 Carr ..... D14/205  
D729,194 S \* 5/2015 Boeckel ..... D14/205  
D734,297 S \* 7/2015 Sasaki ..... D14/205  
D741,287 S \* 10/2015 Harata ..... D14/205  
D741,290 S \* 10/2015 Schaal ..... D14/205  
D758,337 S \* 6/2016 Szymanski ..... D14/205  
D780,713 S \* 3/2017 Szymanski ..... D14/205  
D787,470 S \* 5/2017 Kelly ..... D14/205  
D789,327 S \* 6/2017 Miyake ..... D14/205  
D796,474 S \* 9/2017 Treski ..... D14/205  
D797,074 S \* 9/2017 Martin ..... D14/205

\* cited by examiner

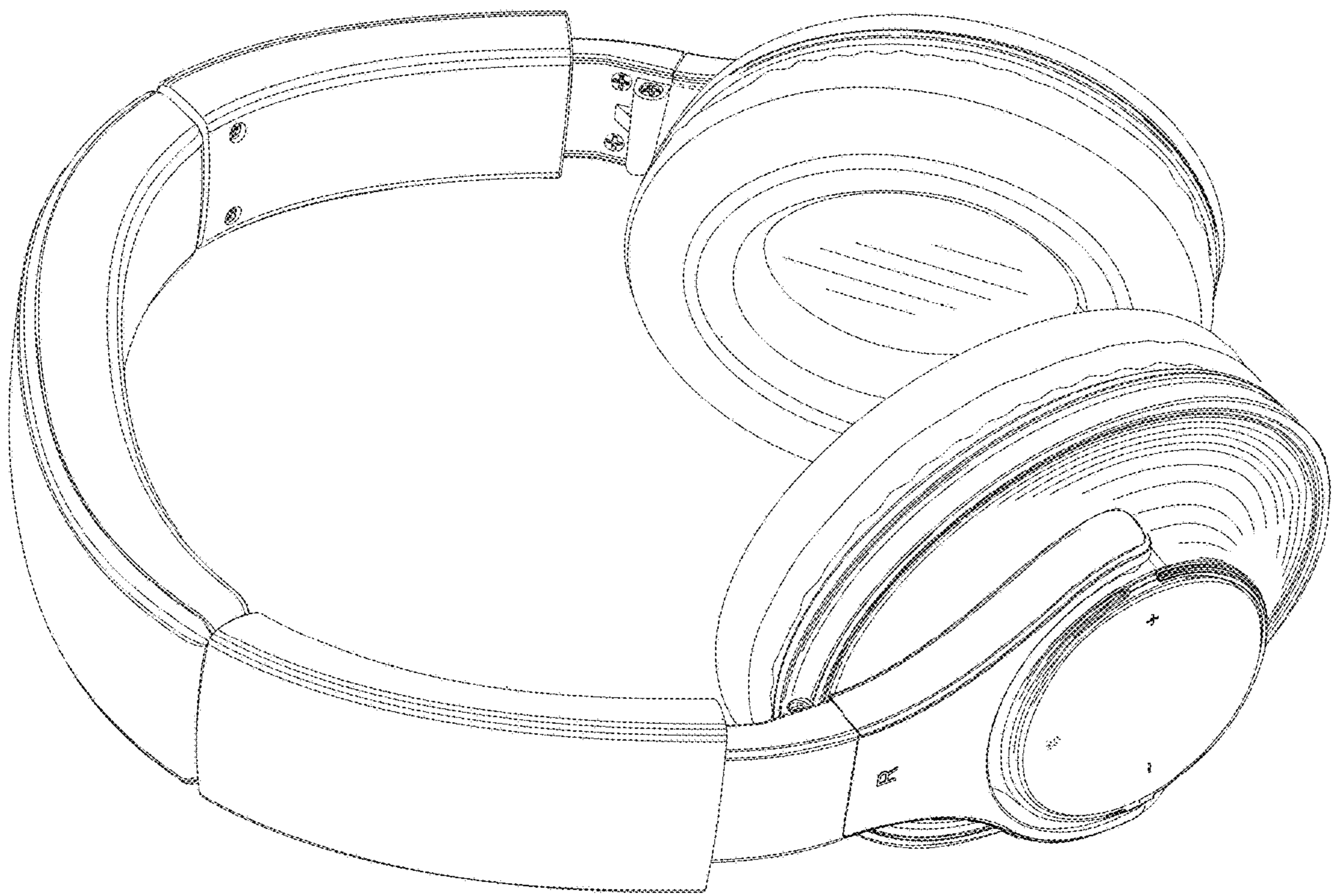


Fig. 1

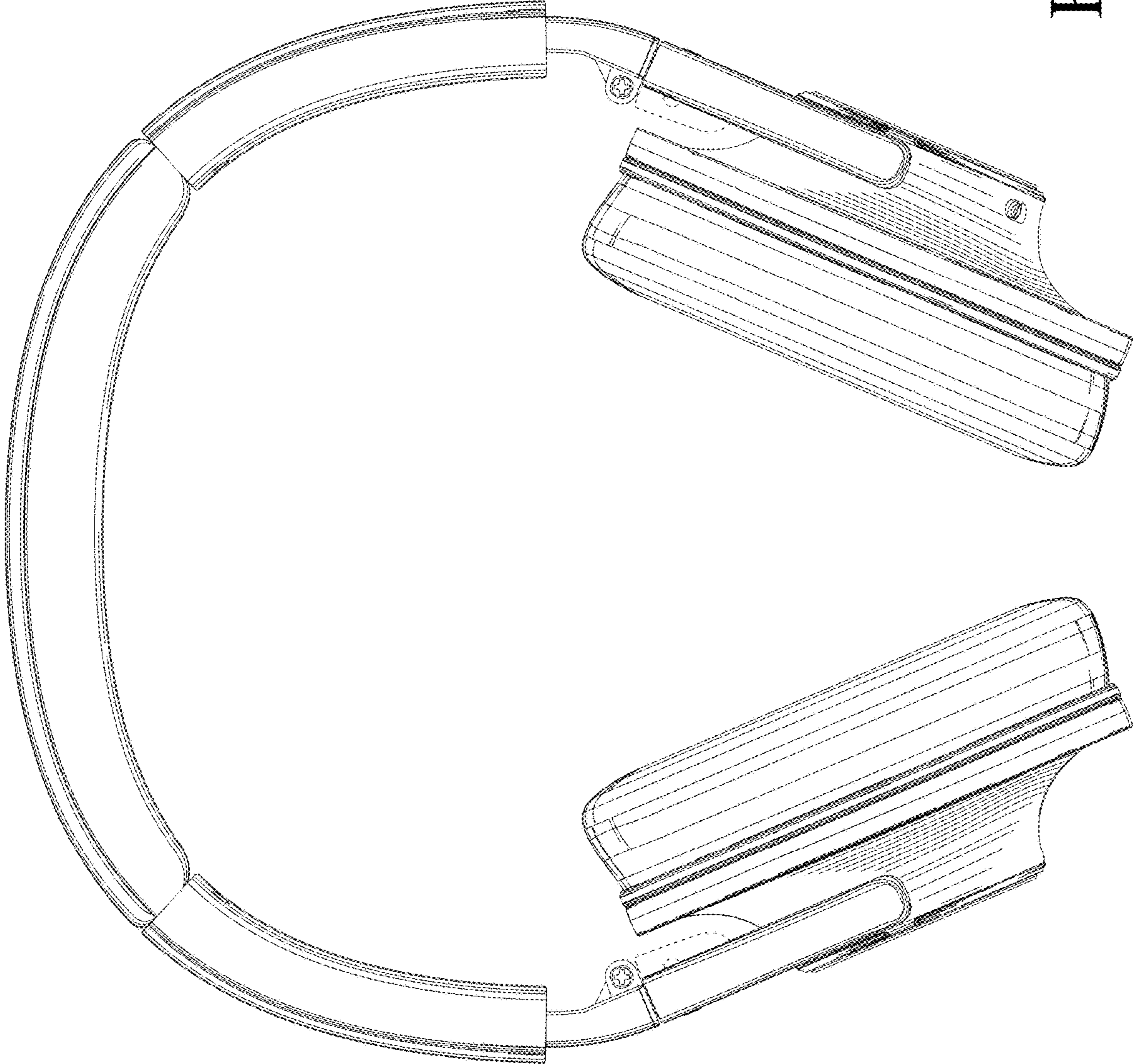


Fig. 2

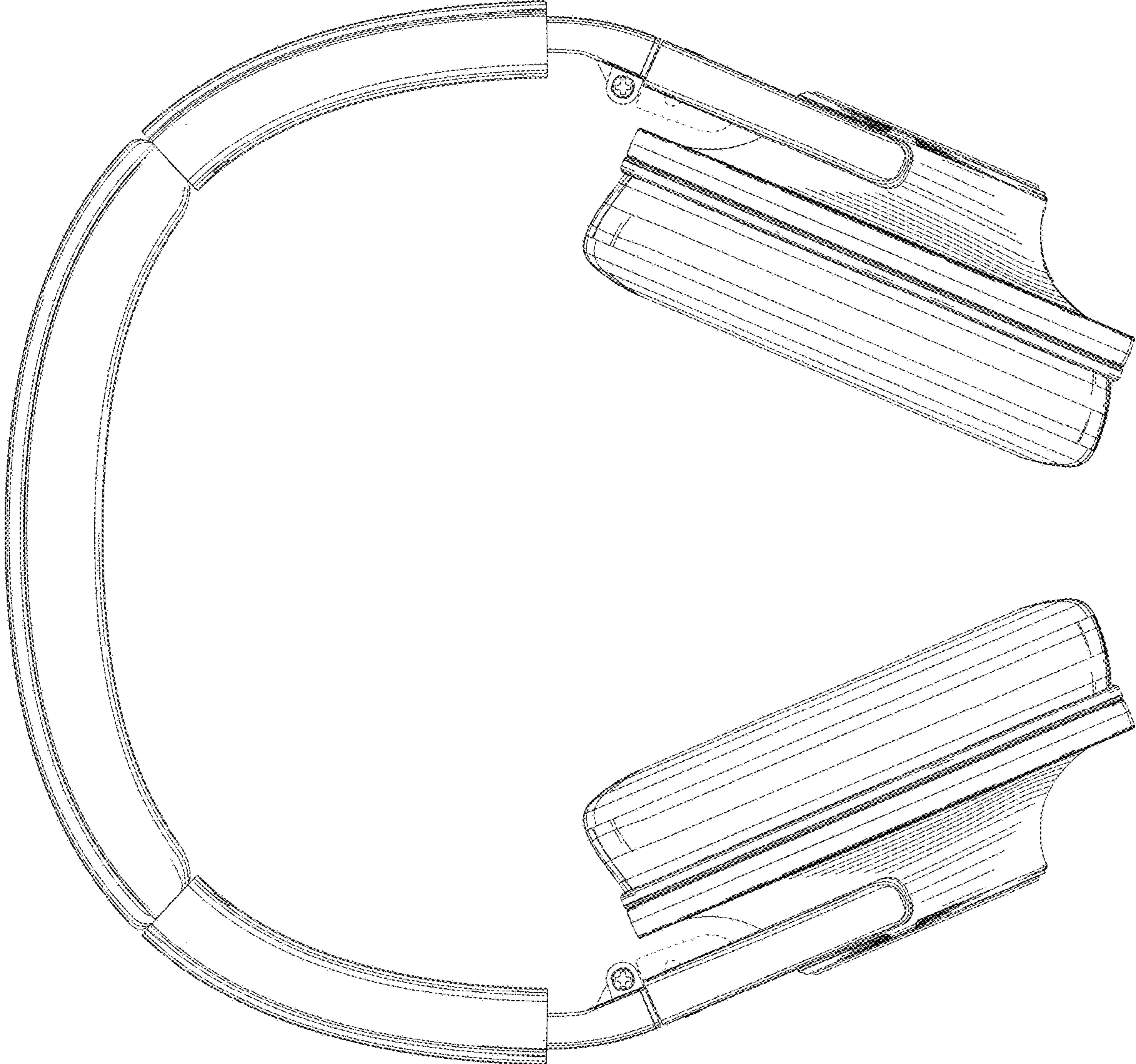


Fig. 3

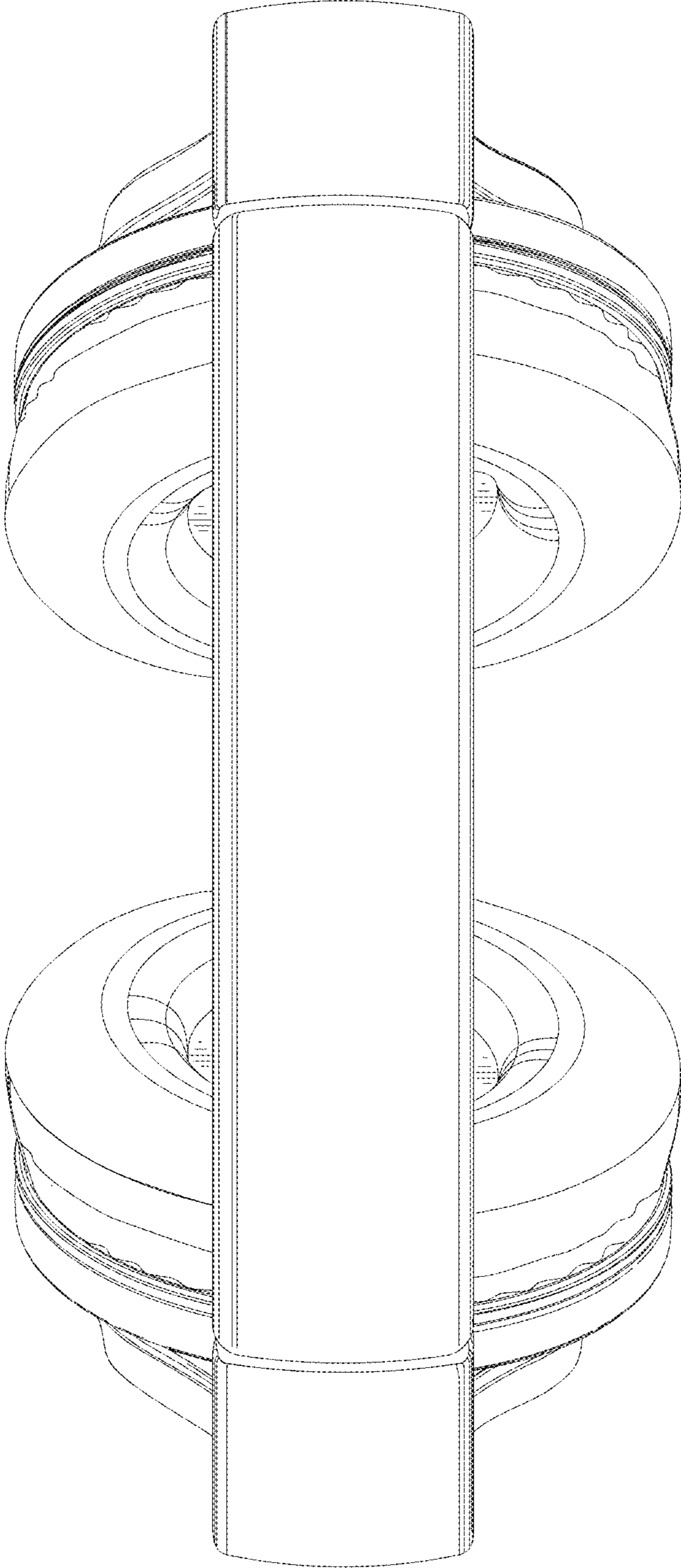


Fig. 4

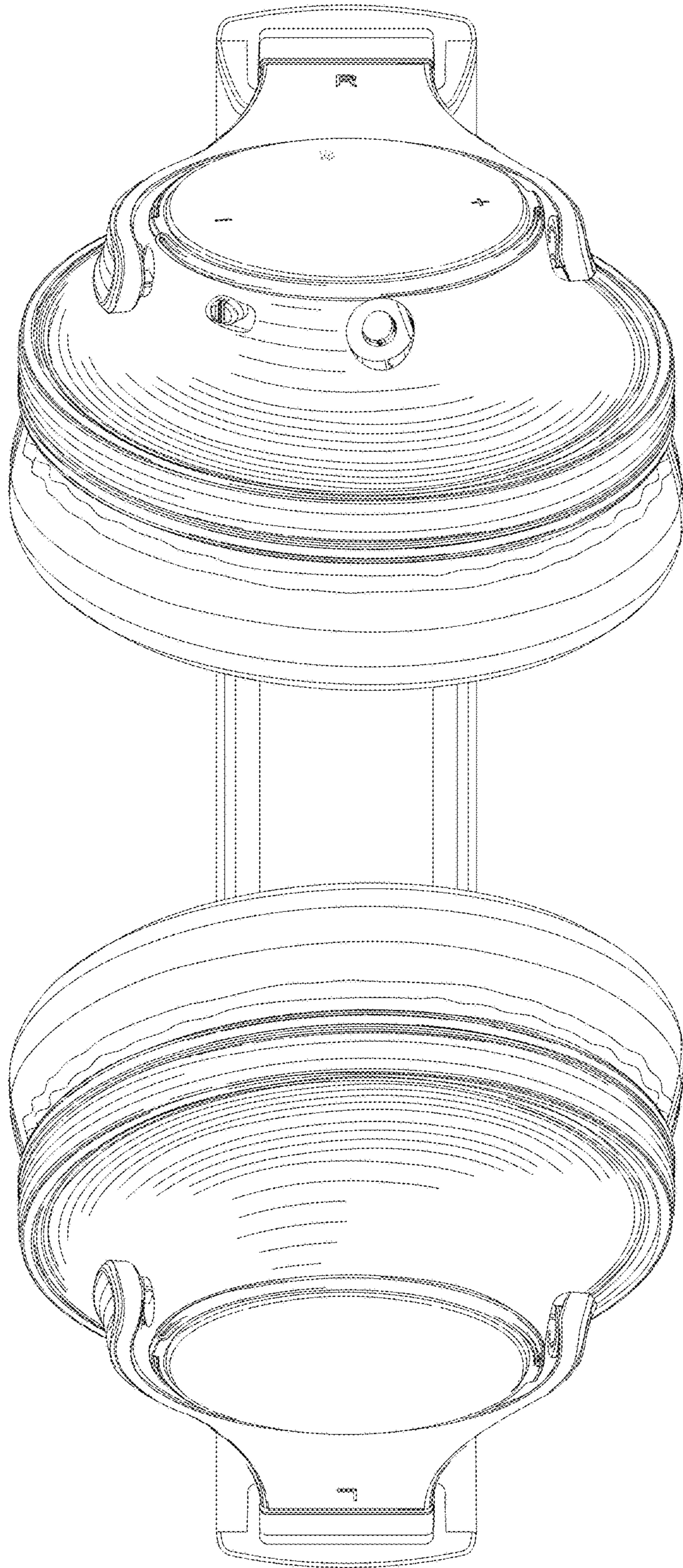


Fig. 5

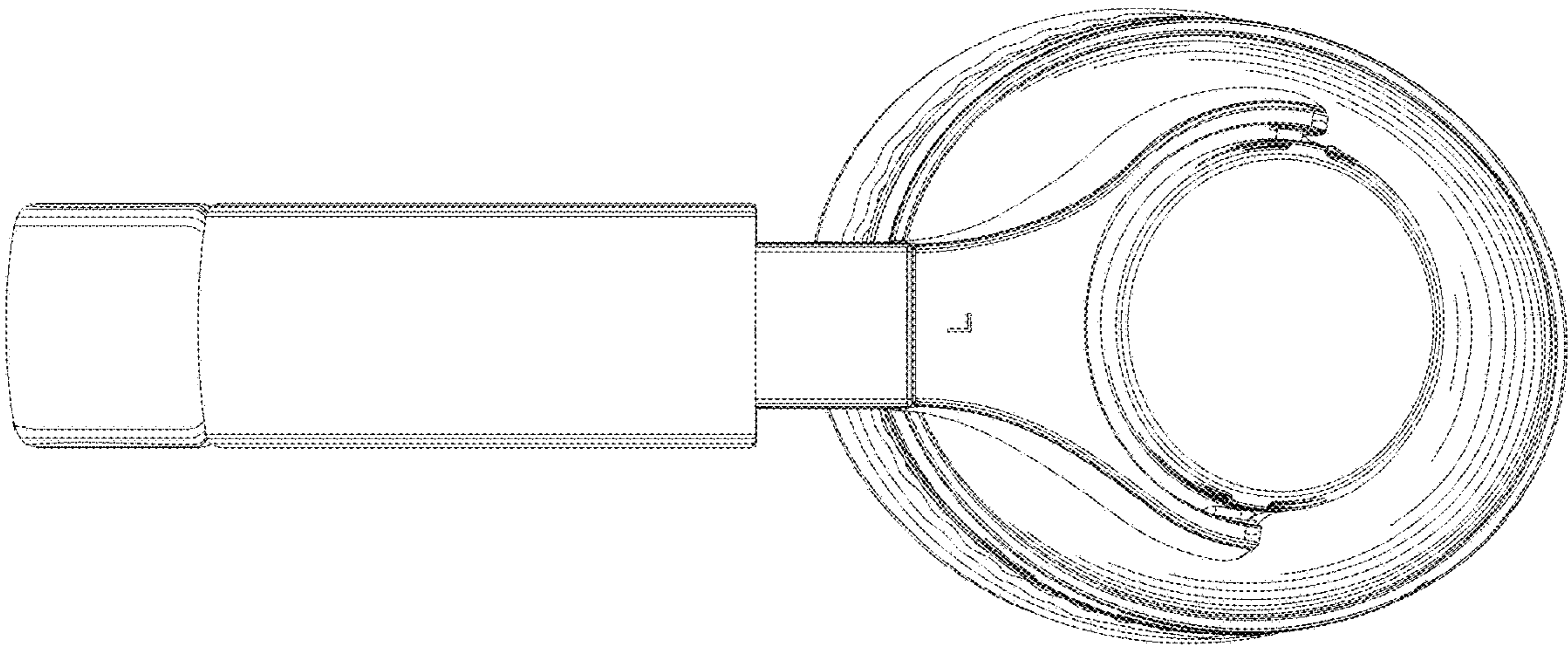


Fig. 6



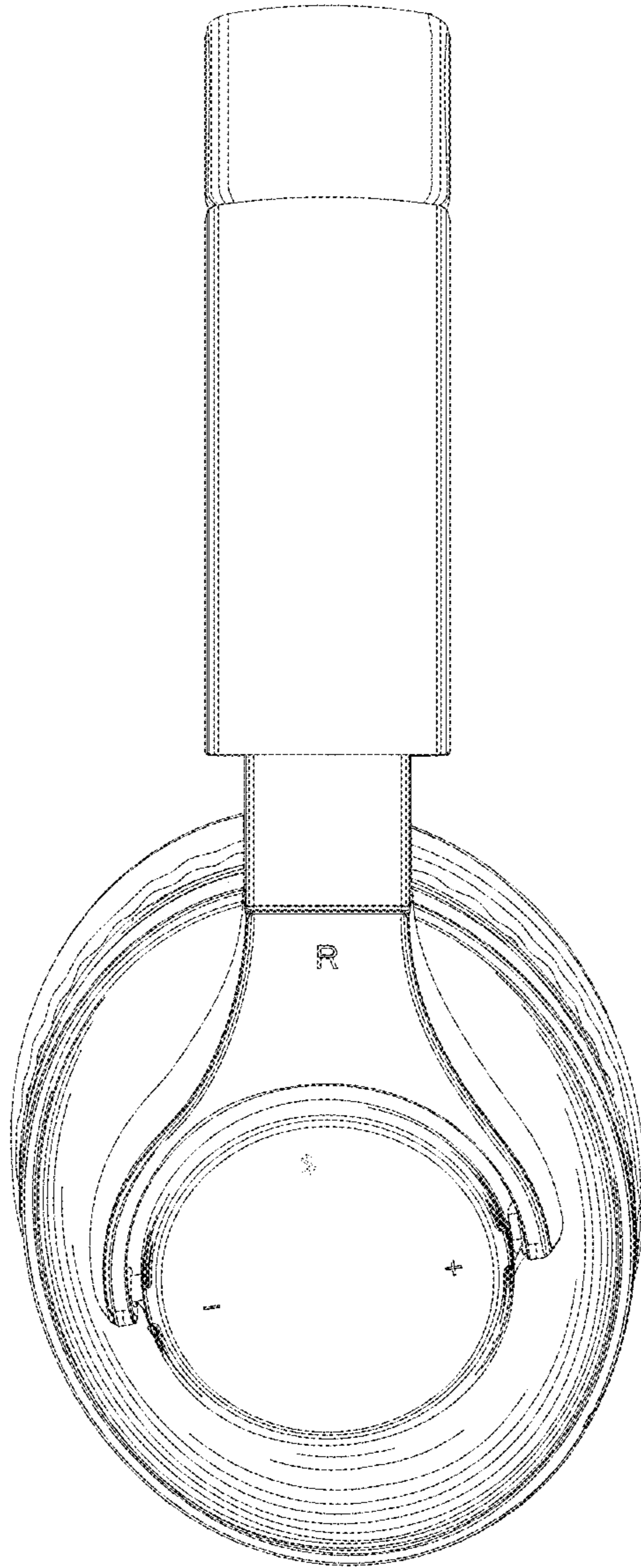


Fig. 7