



US00D828325S

(12) **United States Design Patent** (10) **Patent No.:** **US D828,325 S**
Walker et al. (45) **Date of Patent:** **** Sep. 11, 2018**

(54) **LOUDSPEAKER**
(71) Applicant: **Harman International Industries, Incorporated**, Northridge, CA (US)
(72) Inventors: **Jason Walker**, Los Angeles, CA (US); **Alexander Demin**, Shenzhen (CN); **Ondrej Vaclavik**, Shenzhen (CN)
(73) Assignee: **Harman International Industries, Incorporated**, Northridge, CA (US)
(**) Term: **15 Years**
(21) Appl. No.: **29/589,259**
(22) Filed: **Dec. 29, 2016**
(51) **LOC (11) Cl.** **14-01**
(52) **U.S. Cl.**
USPC **D14/204**
(58) **Field of Classification Search**
USPC D14/167, 188, 204, 209.1, 210–215, 348, D14/352, 498–505; 181/143, 144, 148, 181/153, 157, 198, 199; 369/6–12; 381/300–303, 361–364, 366, 386–388
CPC H04R 1/02; H04R 1/021; H04R 1/023; H04R 5/00; H04R 9/06; H04R 2420/07
See application file for complete search history.

D595,261 S * 6/2009 Xie D14/168
D609,718 S * 2/2010 Chang D14/203.3
D615,530 S * 5/2010 Dobson D14/216
D640,667 S * 6/2011 Lee D14/211
D686,186 S * 7/2013 Kaneko D14/168
D722,593 S * 2/2015 Lin D14/216
D723,514 S * 3/2015 Lukic D14/213

OTHER PUBLICATIONS

Office Action dated Jun. 19, 2018 in Design U.S. Appl. No. 29/589,263.
Amendment filed Jul. 6, 2018 in Design U.S. Appl. No. 29/589,263.

* cited by examiner

Primary Examiner — Derrick E Holland
Assistant Examiner — Janice Patyk
(74) *Attorney, Agent, or Firm* — Plumsea Law Group, LLC

(57) **CLAIM**

The ornamental design for a loudspeaker, as shown and described.

DESCRIPTION

FIG. 1 is a perspective view of a loudspeaker showing our new design;
FIG. 2 is a front elevation view thereof;
FIG. 3 is a rear elevation view thereof;
FIG. 4 is a side elevation view thereof;
FIG. 5 is an opposite side elevation view thereof;
FIG. 6 is a top plan view thereof; and,
FIG. 7 is a bottom plan view thereof.

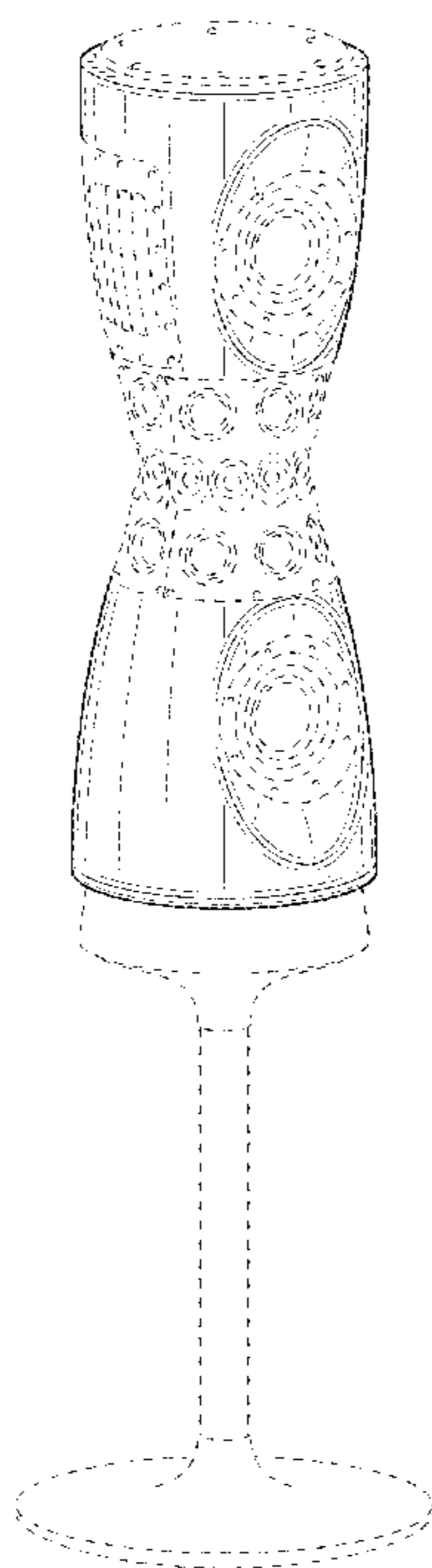
The broken lines in the figures illustrate the portions of the design that form no part of the claimed design.

1 Claim, 6 Drawing Sheets

(56) **References Cited**

U.S. PATENT DOCUMENTS

D393,468 S * 4/1998 Dalby D13/134
D496,651 S * 9/2004 Borsboom D14/216
D537,073 S * 2/2007 Peersman D14/213
D563,391 S * 3/2008 Skurdal D14/172



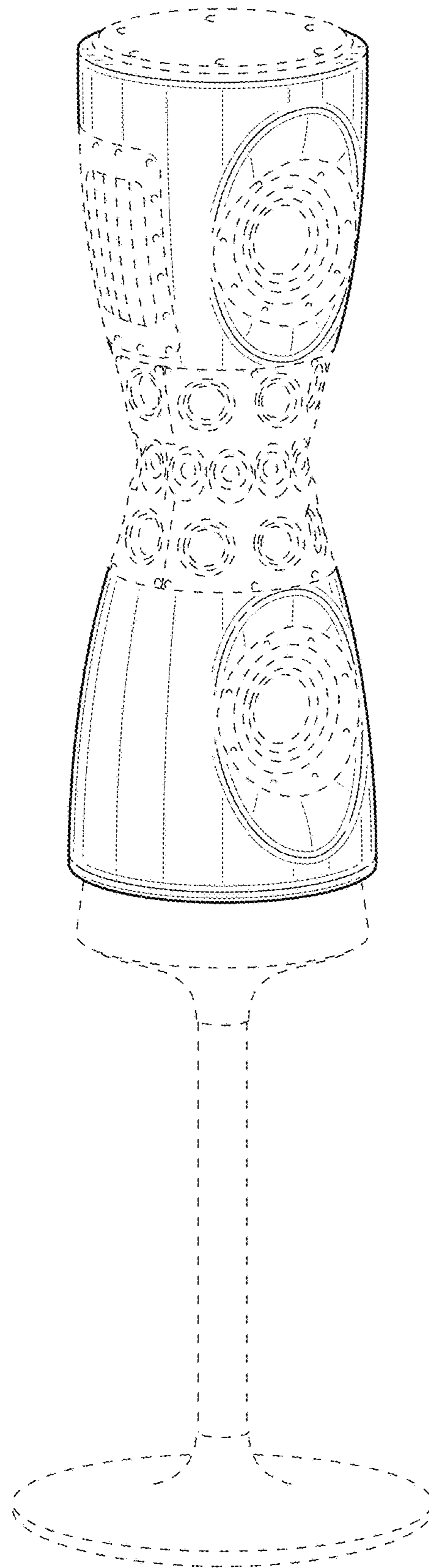


FIG. 1

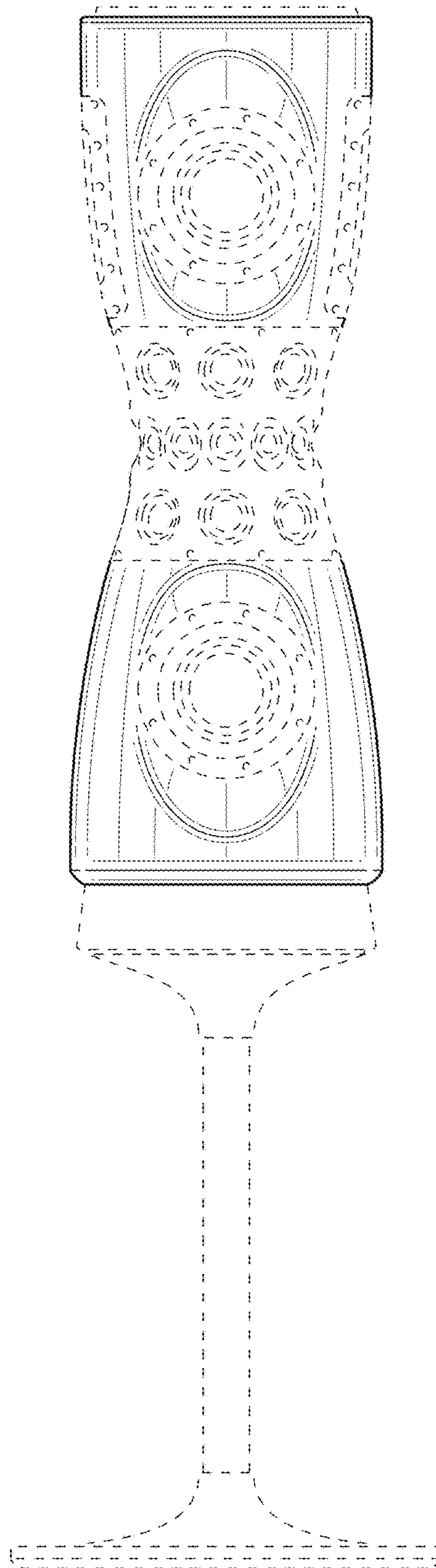


FIG. 2

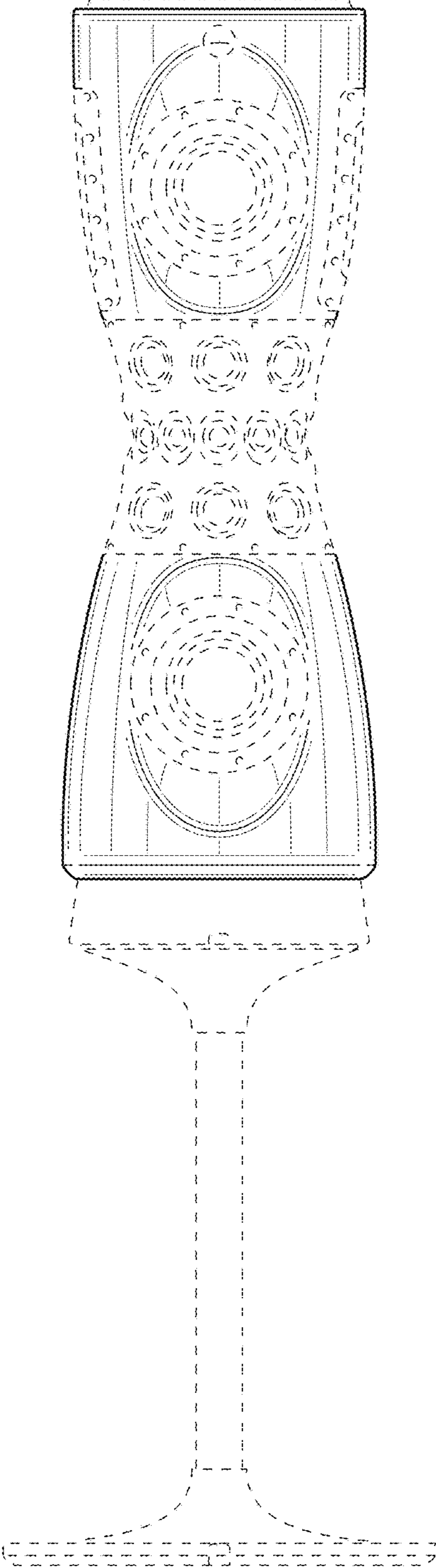


FIG. 3

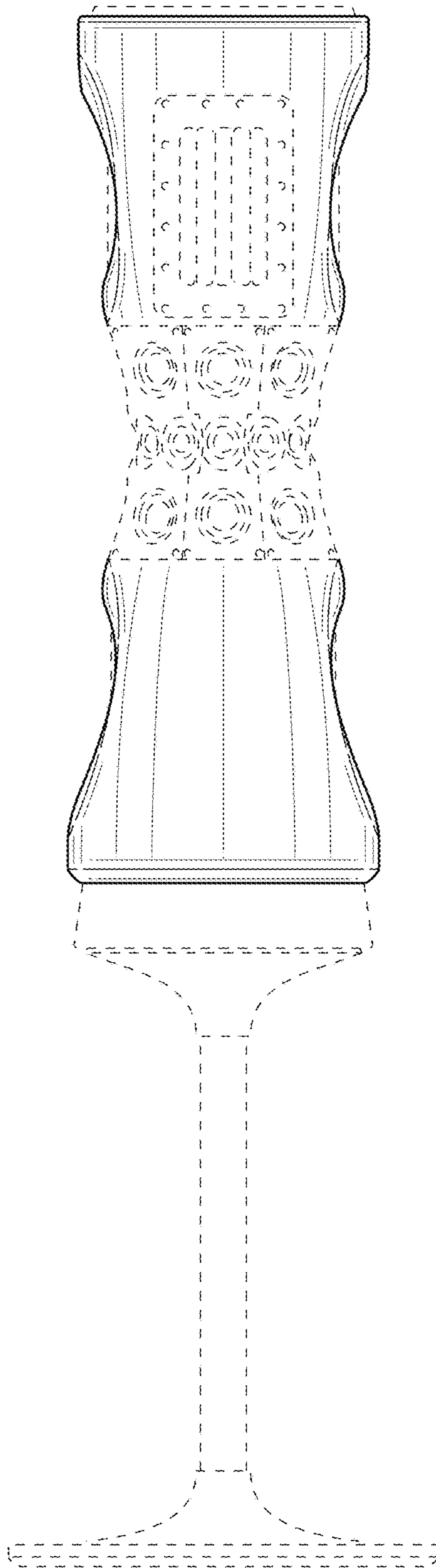


FIG. 4

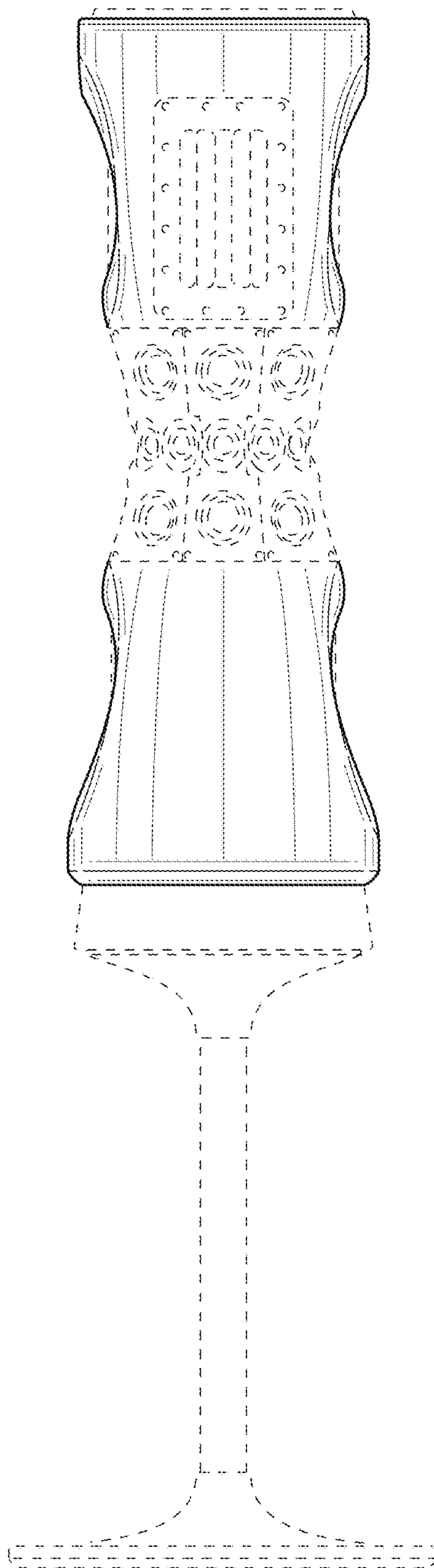


FIG. 5

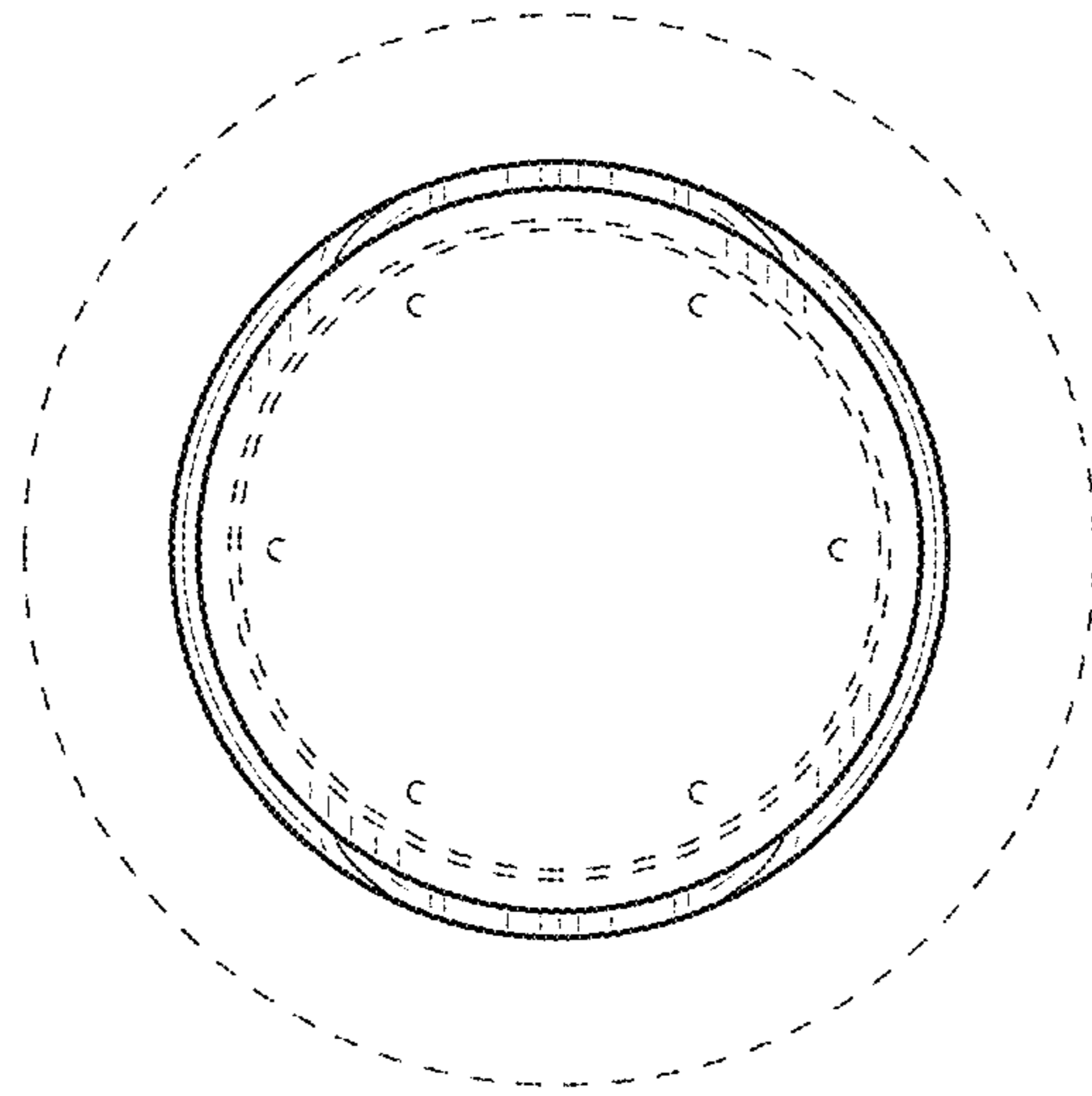


FIG. 6

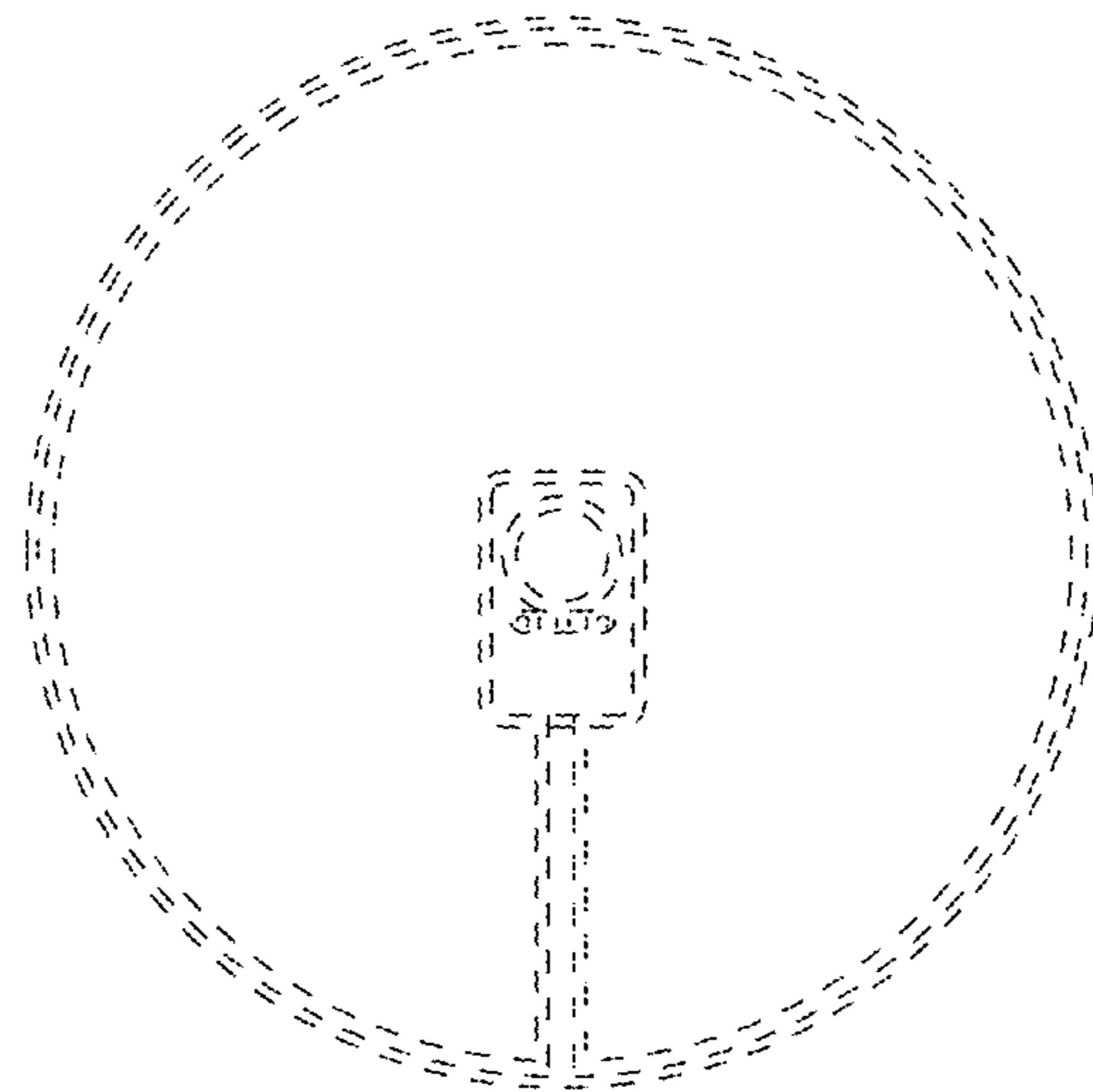


FIG. 7