



US00D828324S

(12) **United States Design Patent** (10) **Patent No.:** **US D828,324 S**  
**Jeong** (45) **Date of Patent:** **\*\* Sep. 11, 2018**

(54) **DIGITAL AUDIO PLAYER**

(71) Applicant: **IRIVER LIMITED**, Seoul (KR)

(72) Inventor: **Jong Min Jeong**, Jeollanam-do (KR)

(73) Assignee: **IRIVER LIMITED**, Seoul (KR)

(\*\*) Term: **15 Years**

(21) Appl. No.: **29/615,576**

(22) Filed: **Aug. 30, 2017**

(30) **Foreign Application Priority Data**

Aug. 23, 2017 (KR) ..... 30-2017-0039119

(51) **LOC (11) Cl.** ..... **14-03**

(52) **U.S. Cl.**  
USPC ..... **D14/203.7; D14/496**

(58) **Field of Classification Search**  
USPC ..... D14/496, 401, 435, 474, 483, 217, 137,  
D14/138, 160, 168, 356, 203.1–203.8,  
D14/507; 345/156, 169, 173–179, 905;  
715/727–729, 864; 710/1, 5, 8; 713/1,  
713/600; 455/1.1, 1.7, 73, 344–347, 93,  
455/95, 3.01–3.06, 550.1, 573.1;  
370/342–344; 369/1, 2, 6–12;  
463/43–47; 273/148 B  
CPC ..... H04J 11/00; H04J 13/00; H04J 14/00  
See application file for complete search history.

(56) **References Cited**

U.S. PATENT DOCUMENTS

6,977,675	B2 *	12/2005	Kotzin	.....	G06F 1/1626 345/156
7,281,214	B2 *	10/2007	Fadell	.....	G06F 3/0219 345/172
D699,701	S *	2/2014	Kim	.....	D14/203.7
D747,288	S *	1/2016	Han	.....	D14/203.3
D772,839	S *	11/2016	Kim	.....	D14/203.7
D792,371	S *	7/2017	Kim	.....	D14/203.7
D808,357	S *	1/2018	Kim	.....	D14/203.7
D809,473	S *	2/2018	Kim	.....	D14/203.7

\* cited by examiner

*Primary Examiner* — Brandon M Rosati

(74) *Attorney, Agent, or Firm* — Rabin & Berdo, P.C.

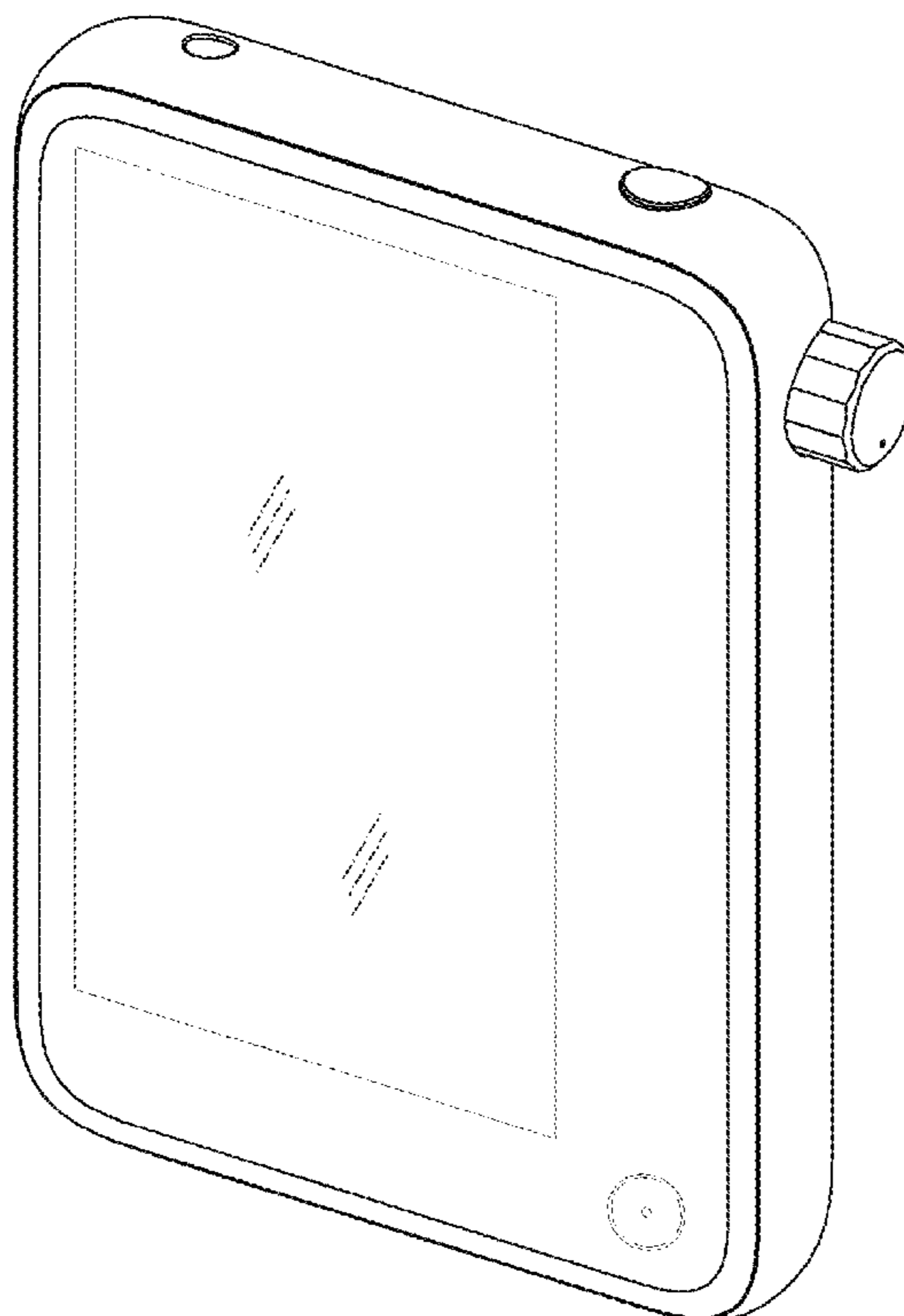
(57) **CLAIM**

The ornamental design for a digital audio player, as shown and described.

**DESCRIPTION**

FIG. 1 is a perspective view of a digital audio player showing my new design;  
FIG. 2 is a front elevational view thereof;  
FIG. 3 is a rear elevational view thereof;  
FIG. 4 is a left side elevational view thereof;  
FIG. 5 is a right side elevational view thereof;  
FIG. 6 is a top view thereof; and,  
FIG. 7 is a bottom view thereof.

**1 Claim, 6 Drawing Sheets**



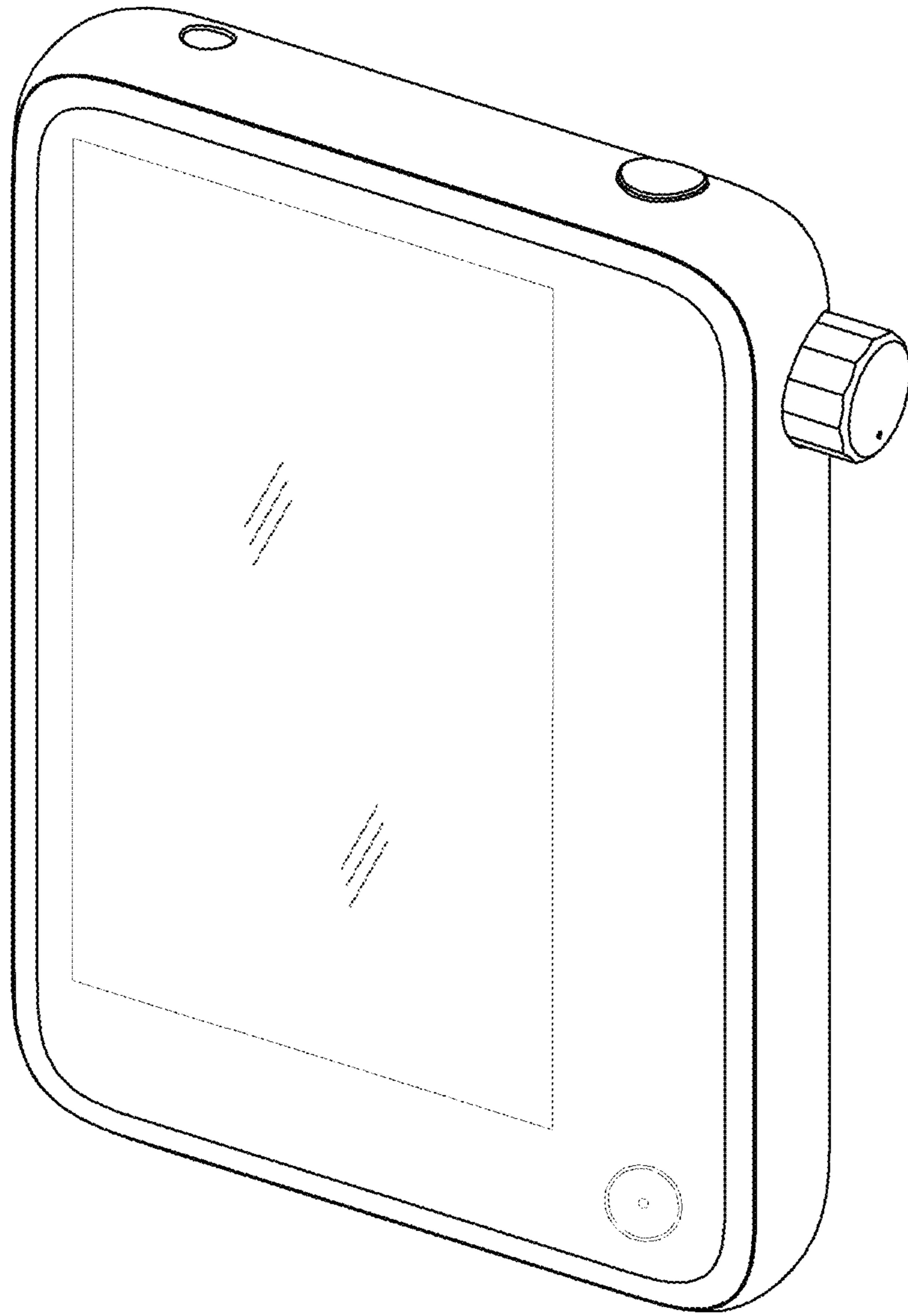


FIG. 1

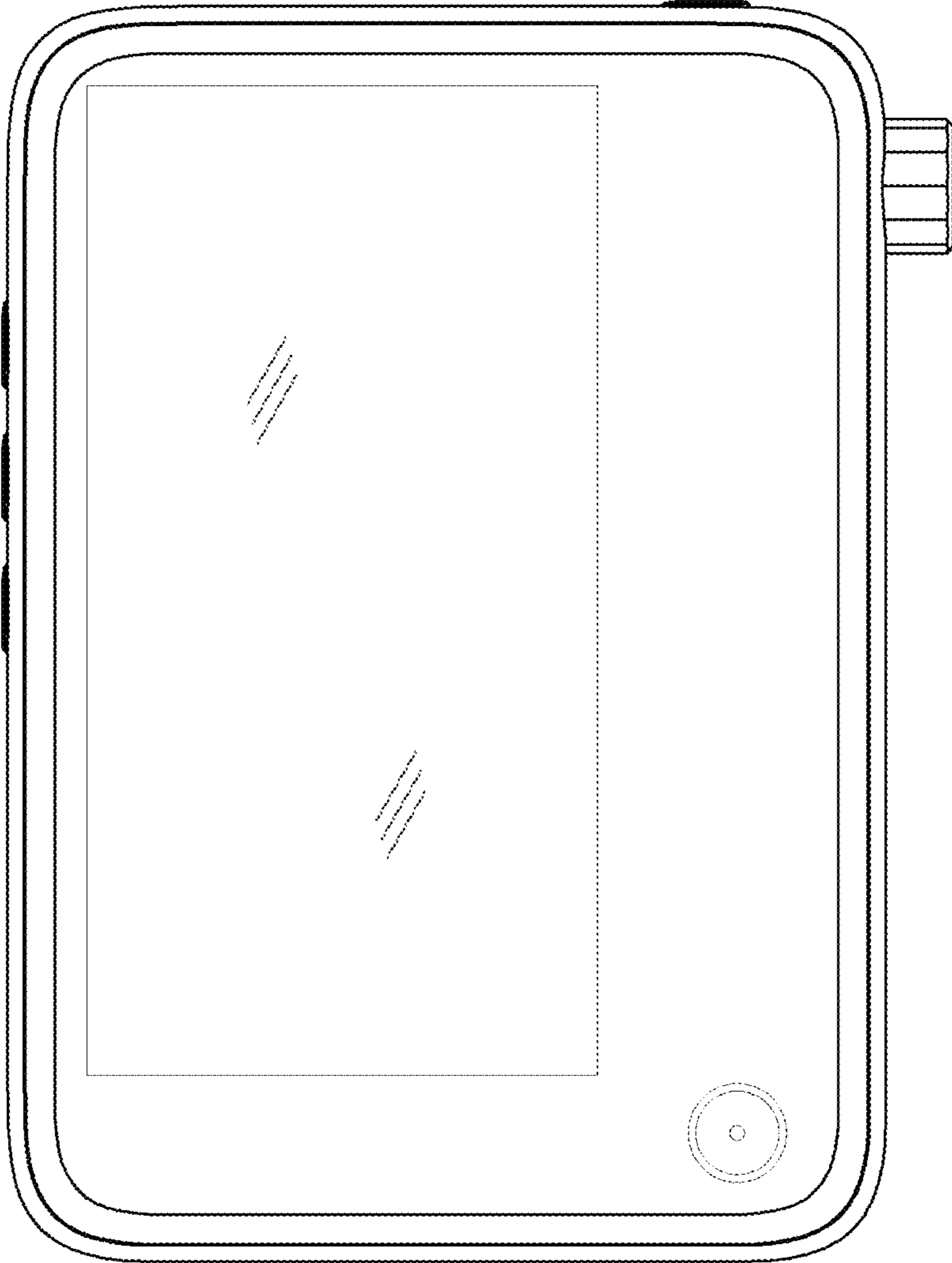


FIG. 2

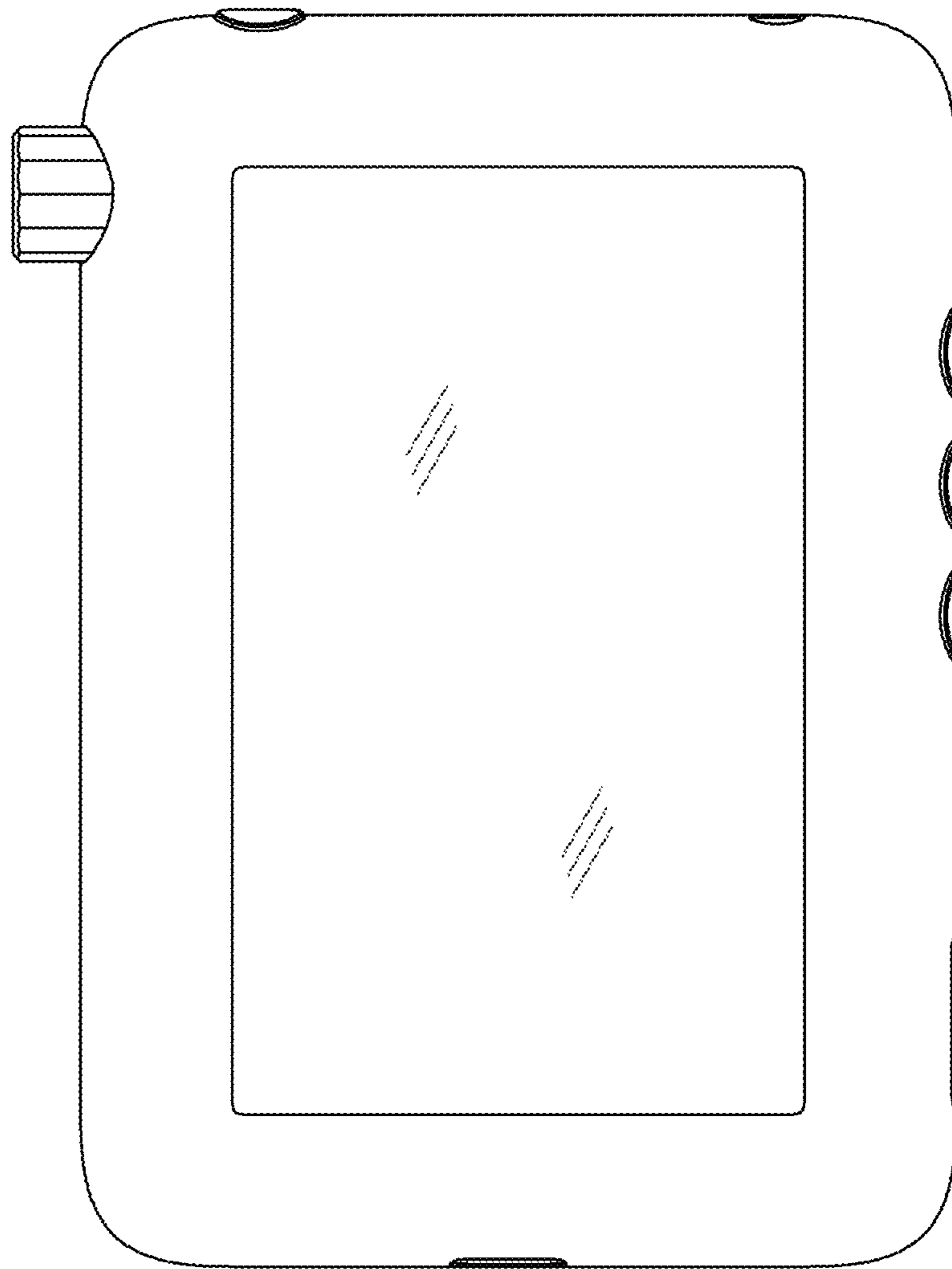


FIG. 3

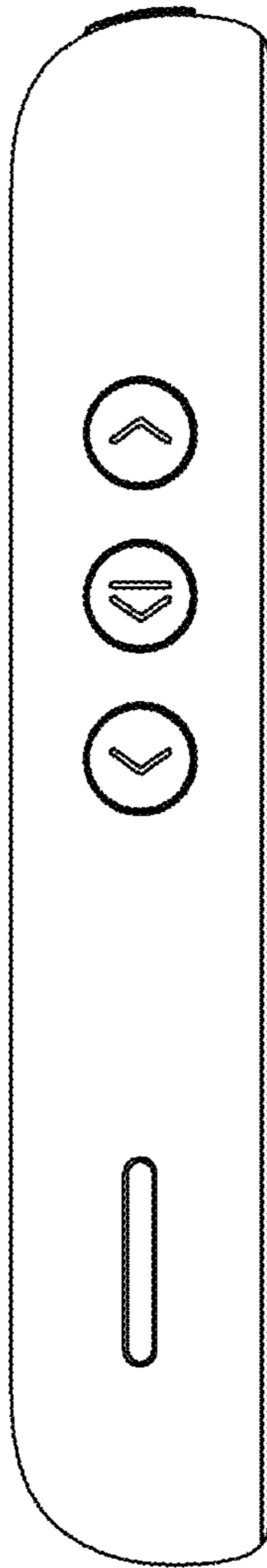


FIG. 4

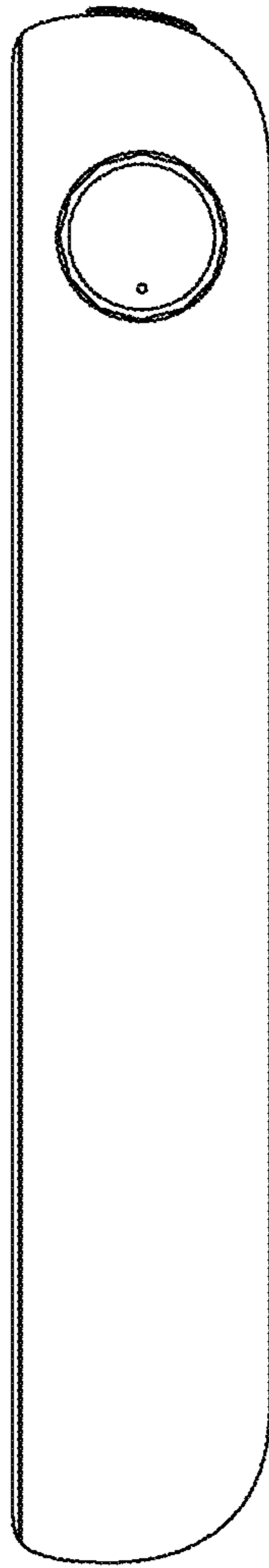


FIG. 5

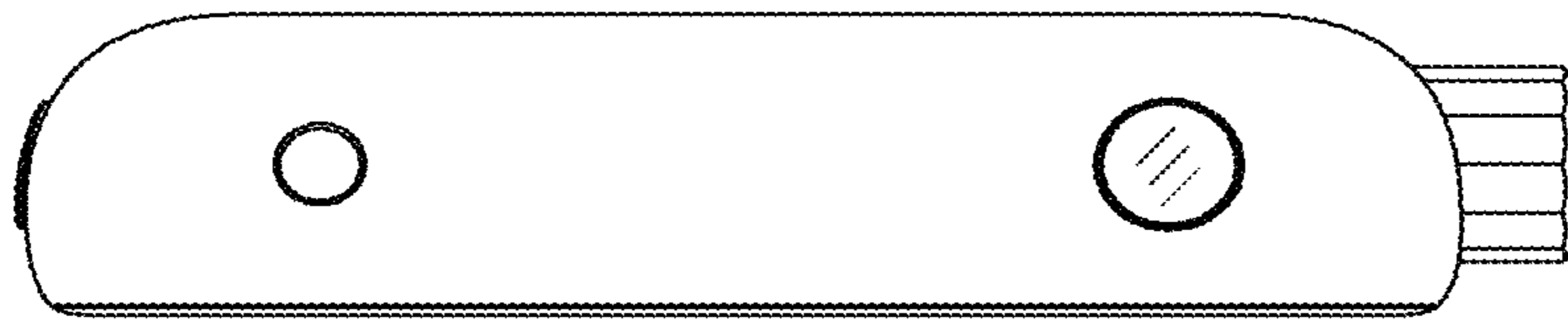


FIG. 6

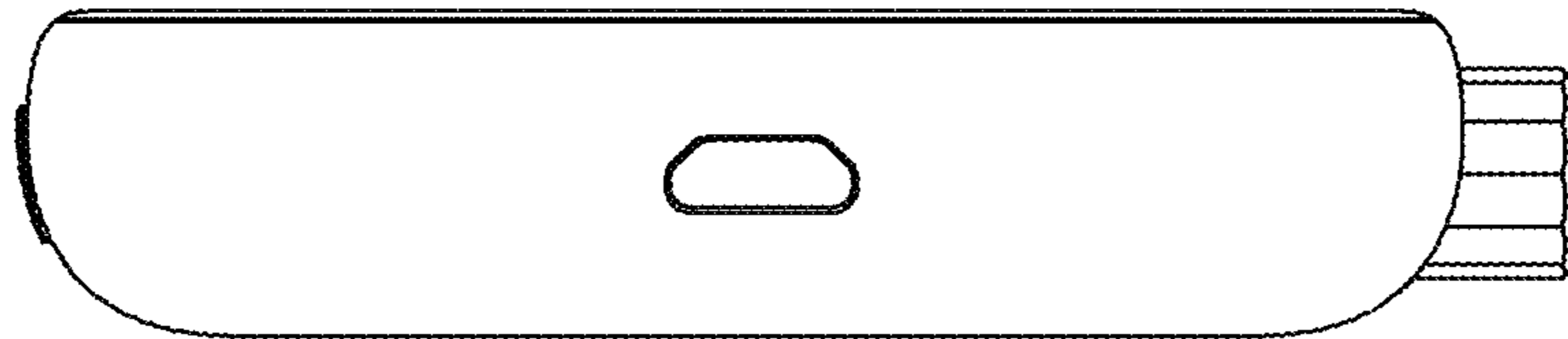


FIG. 7