



US00D828321S

(12) **United States Design Patent** (10) **Patent No.:** **US D828,321 S**
Yeom (45) **Date of Patent:** **** Sep. 11, 2018**

(54) **FLEXIBLE SMART MOBILE PHONE**

FOREIGN PATENT DOCUMENTS

(71) Applicant: **Lenovo (Beijing) Co., Ltd.**, Beijing (CN)

CN 303387364 * 4/2015

(72) Inventor: **Jihun Yeom**, Beijing (CN)

OTHER PUBLICATIONS

(73) Assignee: **Lenovo (Beijing) Co., Ltd.**, Beijing (CN)

Lenovo Foldable and Flexible Phone and Tablet Concept, Jun. 11, 2016, [online], [site visited Feb. 22, 2017]. Retrieved from url:https://www.concept-phones.com/lenovo/lenovo-foldable-flexible-phone-tablet-concept-predict-interesting-2017-video/ (Year: 2016).*

(**) Term: **15 Years**

(Continued)

(21) Appl. No.: **29/627,821**

(22) Filed: **Nov. 29, 2017**

Primary Examiner — Jeffrey D Asch

Assistant Examiner — Tracey J Bell

Related U.S. Application Data

(62) Division of application No. 29/563,416, filed on May 4, 2016.

(74) *Attorney, Agent, or Firm* — Oppedahl Patent Law Firm LLC

(30) **Foreign Application Priority Data**

(57) **CLAIM**

Nov. 4, 2015 (CN) 2015 3 0435397

(51) **LOC (11) Cl.** **14-03**

The ornamental design for a flexible smart mobile phone, as shown and described.

(52) **U.S. Cl.**

USPC **D14/138 AB**; D14/138 G; D14/341

(58) **Field of Classification Search**

USPC D14/138 AA, 138 AB, 138 AC, 138 AD, D14/138 C, 138 R, 138 G, 248, 341, 342, D14/345, 203.7, 350, 347, 496, 388, 389; D21/329

CPC G06F 1/1652; G06F 1/1626; G06F 1/1641; G06F 1/1647; H04M 1/027; H04M 1/0202; H04M 1/0279; H04M 1/0235; H04M 1/0237; H04M 1/0239; H04M 1/0266; H04M 1/0295; H04M 1/0268

See application file for complete search history.

DESCRIPTION

FIG. 1 is a perspective view of a flexible smart mobile phone showing our new design;
FIG. 2 is a front view thereof;
FIG. 3 is a back view thereof;
FIG. 4 is a left side view thereof;
FIG. 5 is a right side view thereof;
FIG. 6 is a top view thereof;
FIG. 7 is a bottom view thereof;
FIG. 8 is a perspective view thereof shown in first bending position;
FIG. 9 is a left side view of FIG. 8;
FIG. 10 is a perspective view thereof shown in second bending position; and,
FIG. 11 is a left side view of FIG. 10.

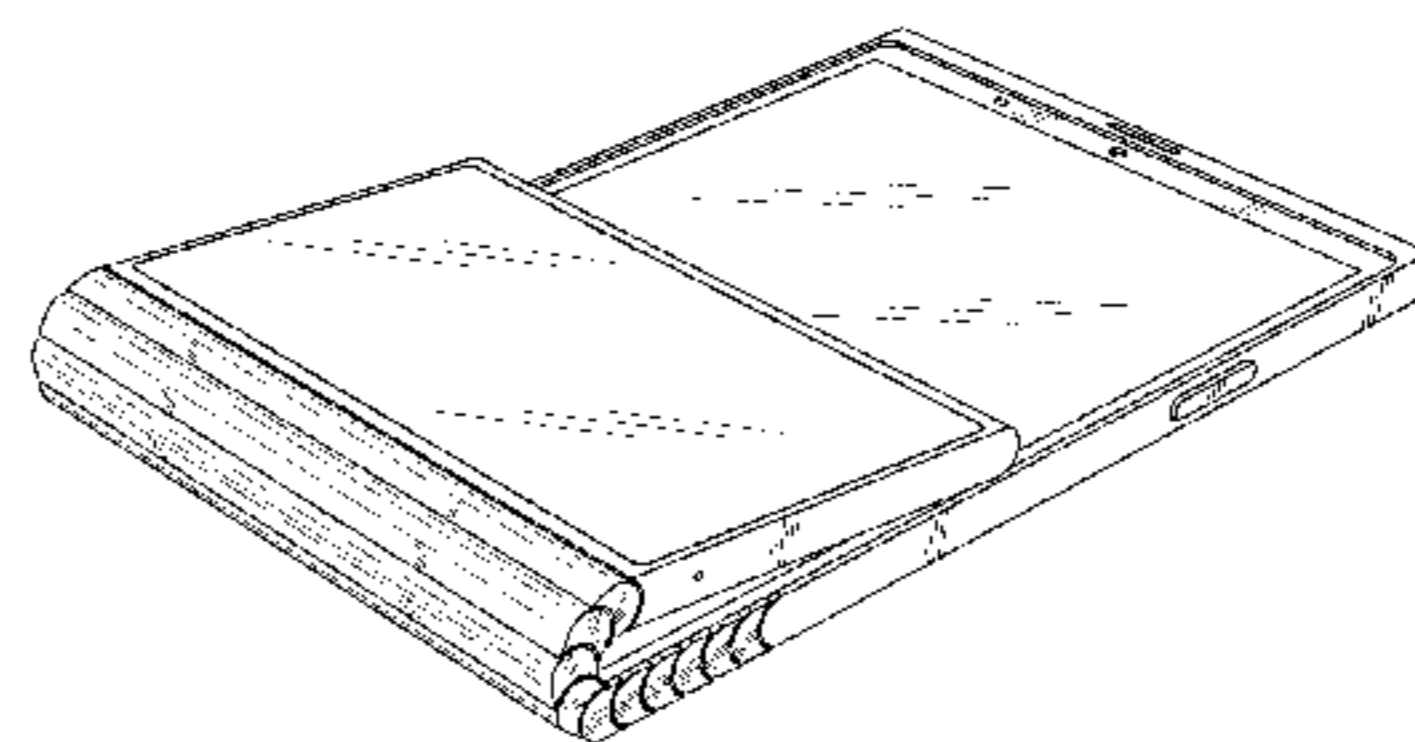
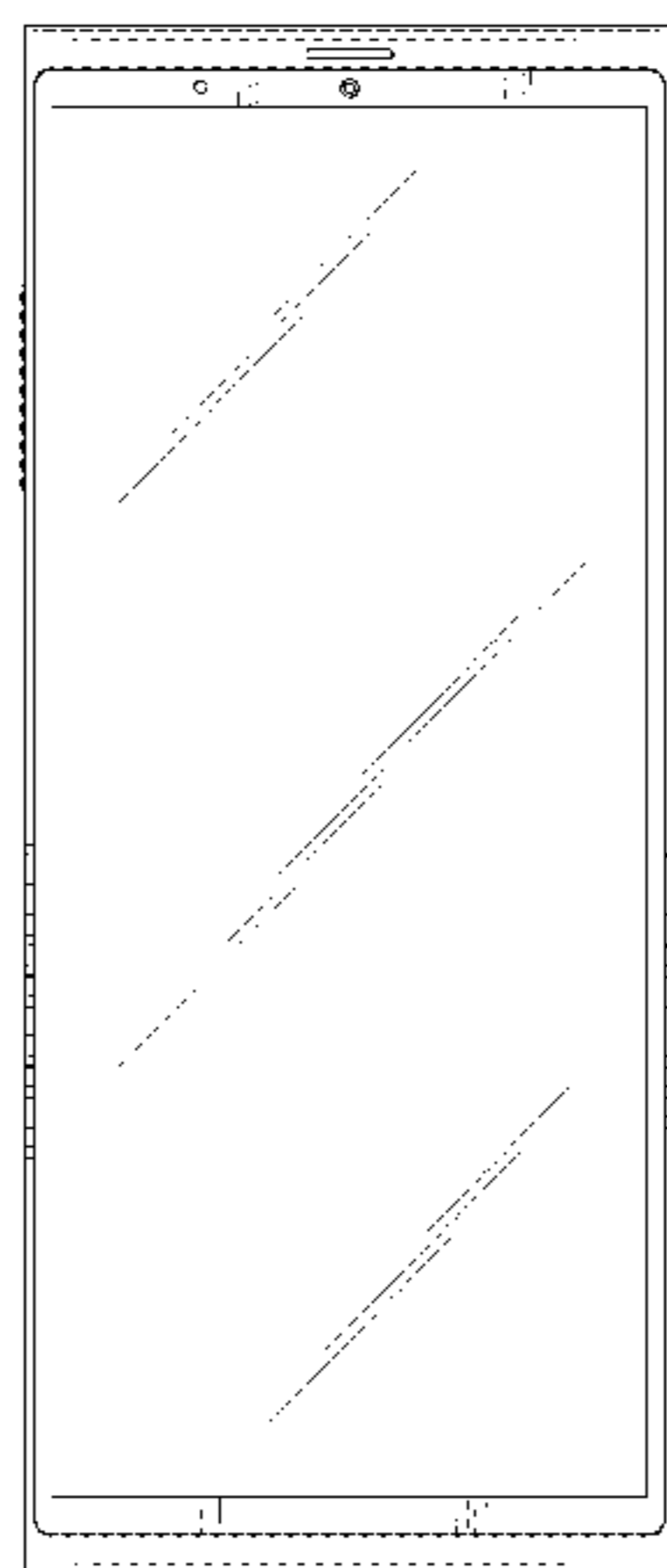
(56) **References Cited**

U.S. PATENT DOCUMENTS

D224,602 S 8/1972 Poon D11/12
D333,544 S 2/1993 Uehara D34/29
D468,657 S 1/2003 Calvani D11/12

(Continued)

1 Claim, 8 Drawing Sheets



(56)

References Cited

U.S. PATENT DOCUMENTS

6,684,089 B1 1/2004 Lee G06F 1/1626
 361/724
 D588,487 S 3/2009 Hartzband D11/12
 D613,637 S 4/2010 Grassi Damiani D11/13
 D642,074 S 7/2011 Chastaingt D10/32
 D723,541 S 3/2015 Sohn D14/315
 9,013,864 B2 4/2015 Griffin H04M 1/0216
 16/382
 9,047,055 B2 6/2015 Song E05D 3/14
 D736,664 S 8/2015 Paradise D11/3
 9,158,332 B2 10/2015 Vanska G06F 1/16
 9,164,547 B1 * 10/2015 Kwon G06F 1/1656
 9,173,287 B1 * 10/2015 Kim H05K 1/028
 9,337,434 B2 5/2016 Lindblad H01L 51/52
 9,348,362 B2 * 5/2016 Ko G06F 1/1626
 9,354,476 B2 5/2016 Han G02F 1/13452
 9,489,080 B2 * 11/2016 Seo G06F 1/1641
 9,506,279 B2 * 11/2016 Kauhaniemi G06F 1/1652
 D774,015 S * 12/2016 Park D14/138 AB
 D788,726 S * 6/2017 Lee D14/138 AB
 D788,734 S * 6/2017 Park D14/138 AB
 9,798,359 B2 * 10/2017 Seo G06F 1/1681
 D804,443 S * 12/2017 Kang D14/138 AB
 D814,435 S * 4/2018 Kwon D14/138 AB
 2012/0307423 A1 12/2012 Bohn G06F 1/1641
 361/679.01
 2013/0216740 A1 * 8/2013 Russell-Clarke B23K 26/38
 428/33
 2014/0241551 A1 8/2014 Kim H04R 3/12
 381/306
 2014/0362513 A1 * 12/2014 Nurmi G06F 1/1652
 361/679.27
 2015/0043174 A1 * 2/2015 Han G02F 1/13452
 361/749
 2015/0062840 A1 3/2015 Kim G06F 1/1682
 361/749
 2015/0381929 A1 * 12/2015 Lee H04M 1/0202
 348/14.03

2016/0048170 A1 * 2/2016 Kim G06F 3/0414
 345/173
 2016/0132075 A1 * 5/2016 Tazbaz G06F 1/1681
 361/679.27
 2016/0324023 A1 * 11/2016 Kim H04M 1/0268
 2016/0357221 A1 * 12/2016 Huh G06F 1/1652
 2016/0357222 A1 * 12/2016 Seo G06F 1/1652
 2016/0370828 A1 * 12/2016 Hsu G06F 1/1681
 2017/0038915 A1 * 2/2017 Choi G06F 3/0481
 2017/0052698 A1 * 2/2017 Seo G06F 1/1641
 2017/0075389 A1 * 3/2017 Yeom G06F 1/1652
 2017/0090681 A1 * 3/2017 Gao G06F 1/1652
 2017/0102738 A1 * 4/2017 Park G06F 1/1652
 2017/0142848 A1 * 5/2017 Yeo H05K 1/028
 2017/0199712 A1 * 7/2017 Lee G01B 7/22
 2017/0357289 A1 * 12/2017 Ahn G06F 1/1652
 2018/0011515 A1 * 1/2018 Yoo G06F 1/1626
 2018/0035208 A1 * 2/2018 Choi G06F 1/1652
 2018/0039387 A1 * 2/2018 Cheong G06F 3/04847

OTHER PUBLICATIONS

Nokia 888 Mobile Phone by Tamer Nakisci, Yanko Design, Sep. 30, 2005, [online], [site visited Apr. 10, 2018]. Retrieved from url:<http://www.yankodesign.com/2005/09/30/nokia-888-mobile-phone-by-tamer-nakisci/> (Year: 2005).*

Kyocera Unveils Kinetic Flexible OLED Cell Phone, Ariel Schwartz, Inhabitat, Apr. 16, 2009, [online], [site visited Apr. 10, 2018]. Retrieved from url:<https://inhabitat.com/kyocera-unveils-kinetic-flexible-oled-cell-phone/> (Year: 2009).*

I Just Died and Went to Samsung Galaxy Heaven, Radhika Seth, Yanko Design, Jul. 26, 2011, [site visited Apr. 10, 2018]. Retrieved from url:<https://www.yankodesign.com/2011/07/26/i-just-died-and-went-to-samsung-galaxy-heaven/comment-page-4/> (Year: 2011).*

Lenovo Foldable and Flexible Phone and Tablet Concept, Jun. 11, 2016, [online], [site visited Feb. 22, 2017]. Retrieved from <url:<https://www.concept-phones.com/lenovo/lenovo-foldable-flexible-phone-tablet-concept-predict-interesting-2017-video/>>.

* cited by examiner

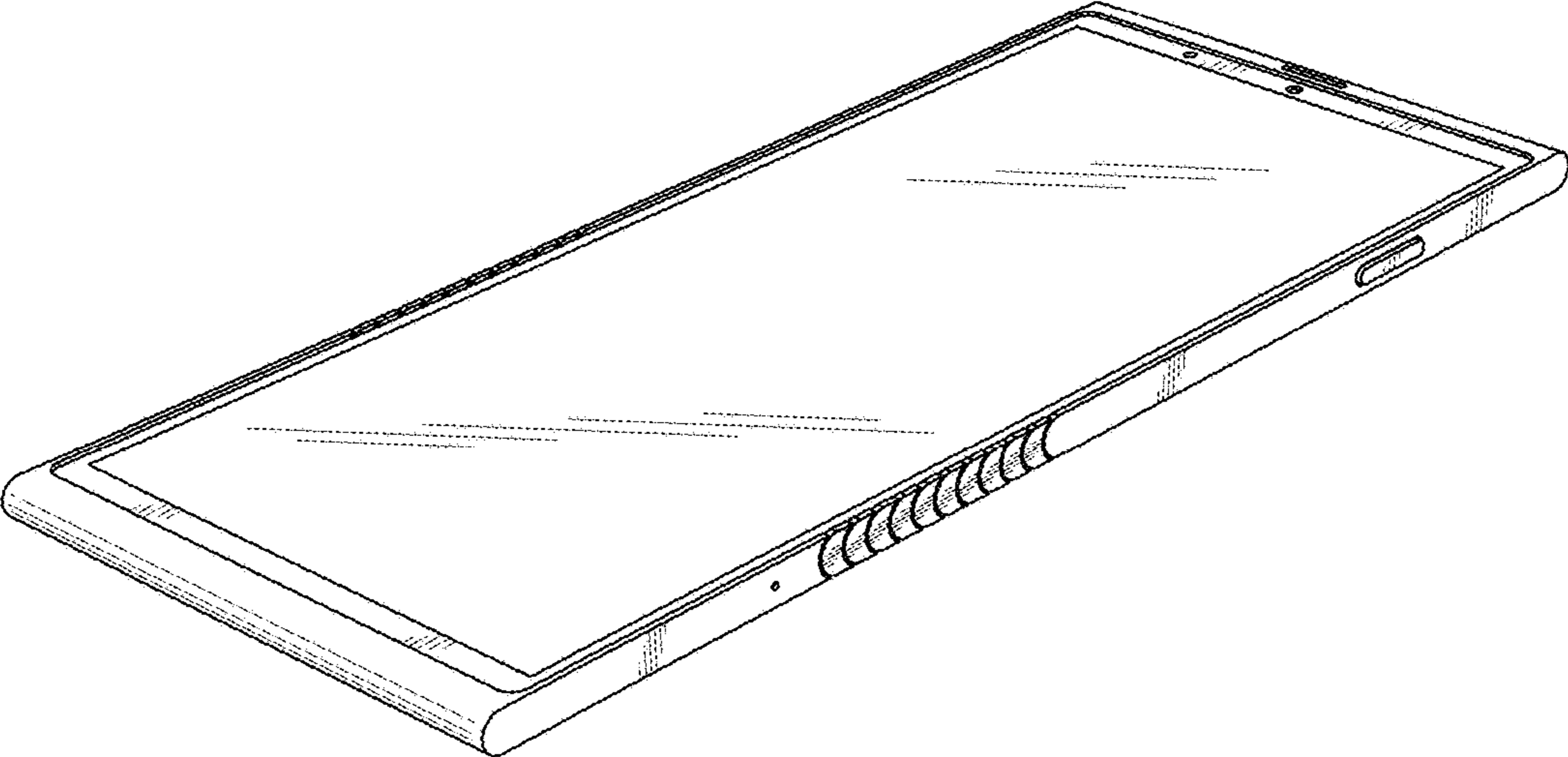


Fig. 1

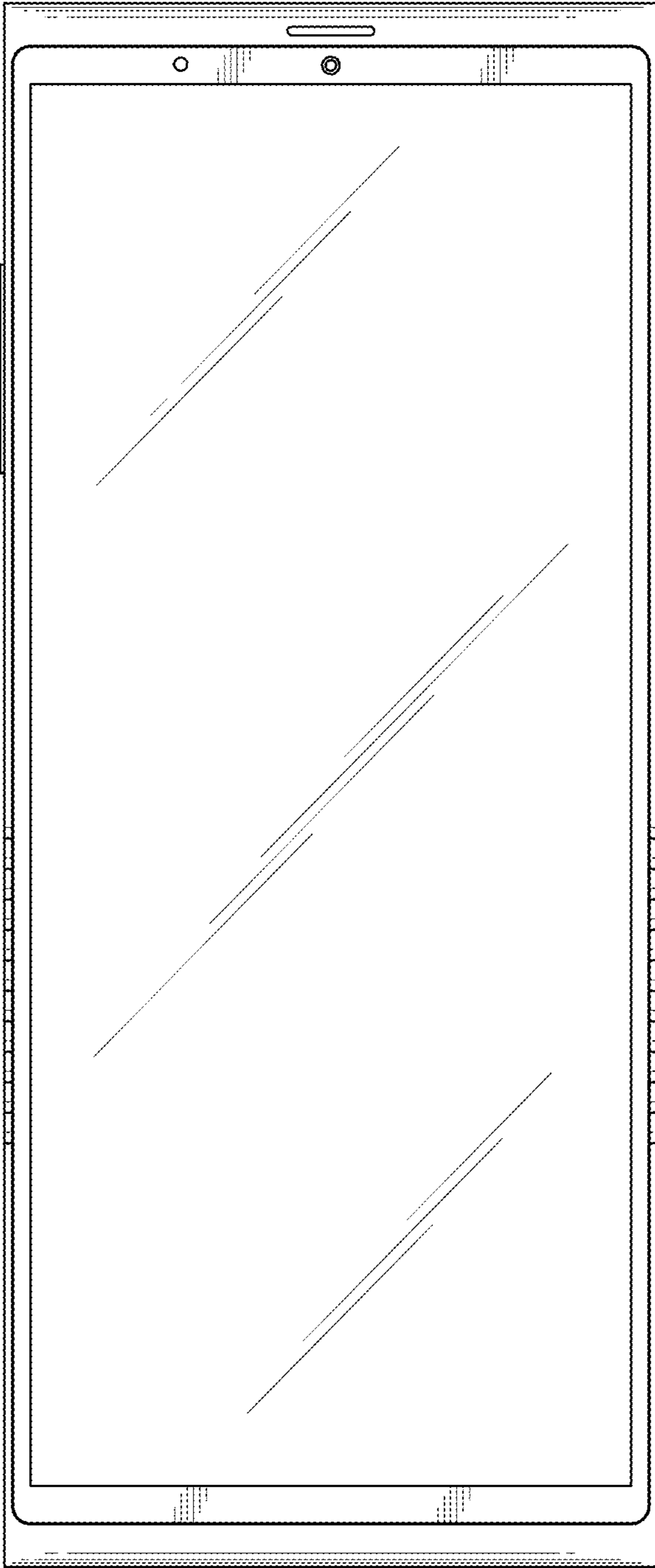


Fig. 2

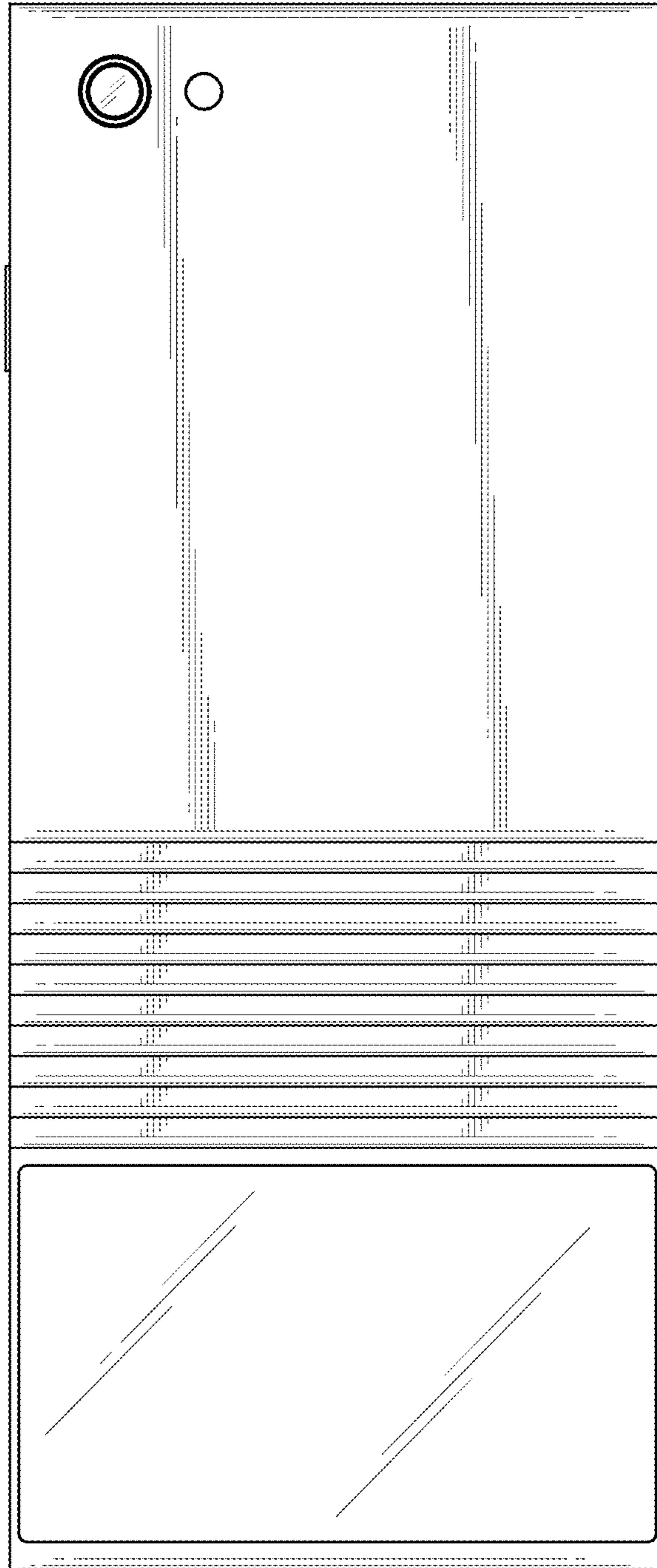


Fig. 3

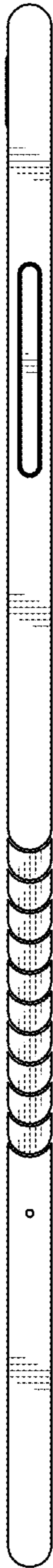


Fig. 4



Fig. 5



Fig. 6



Fig. 7

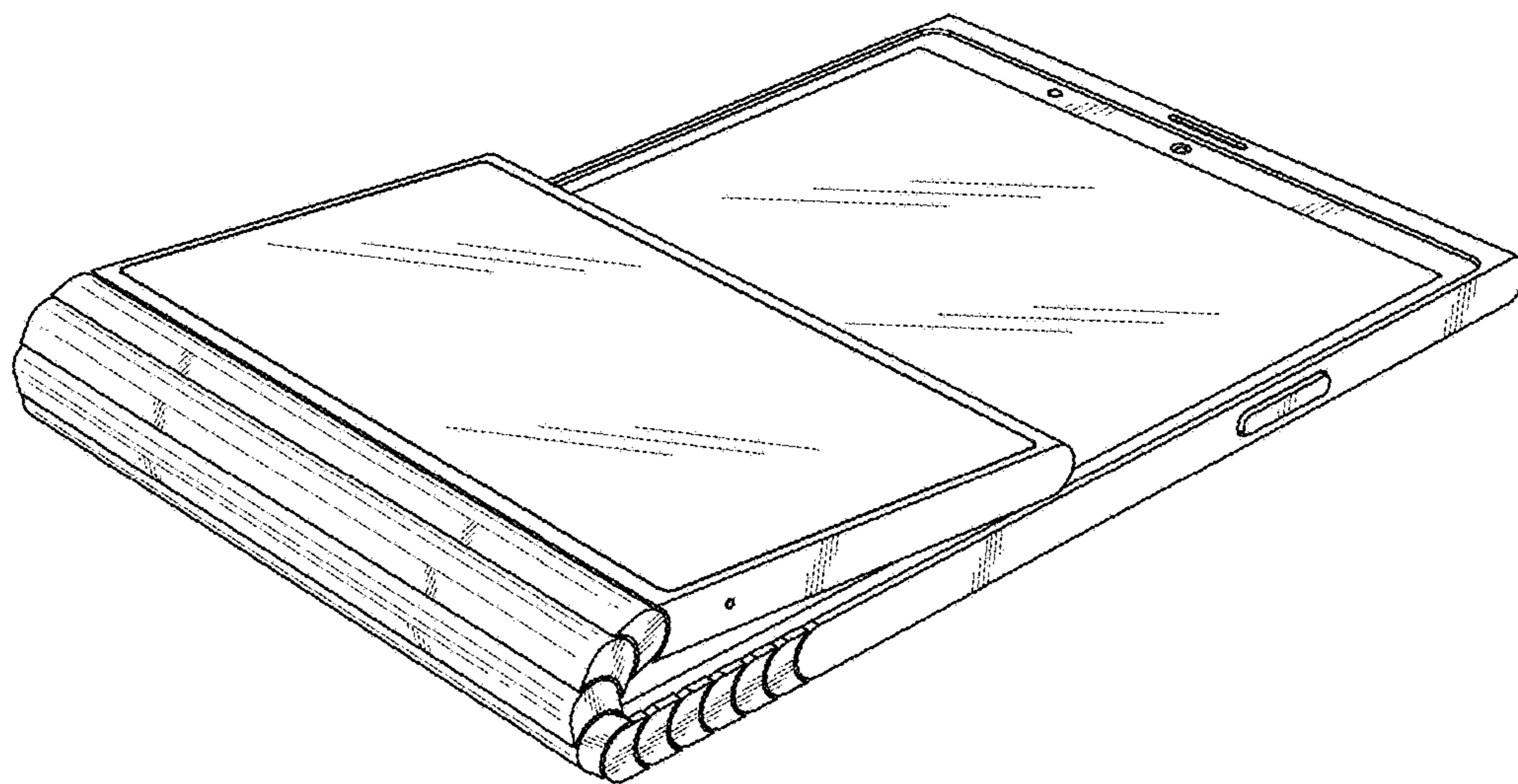


Fig. 8

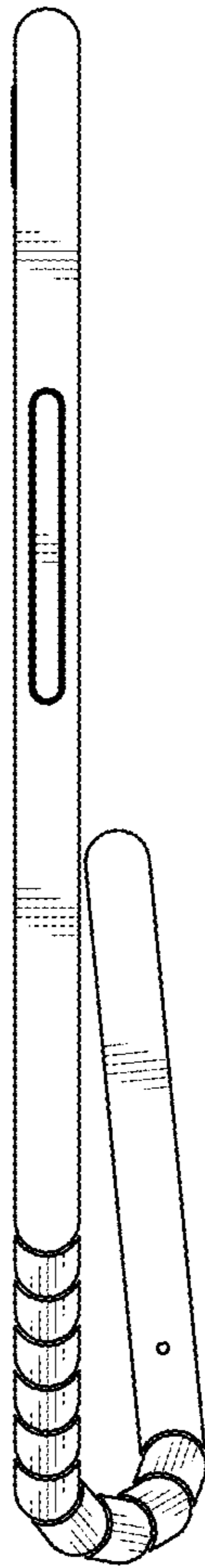


Fig. 9

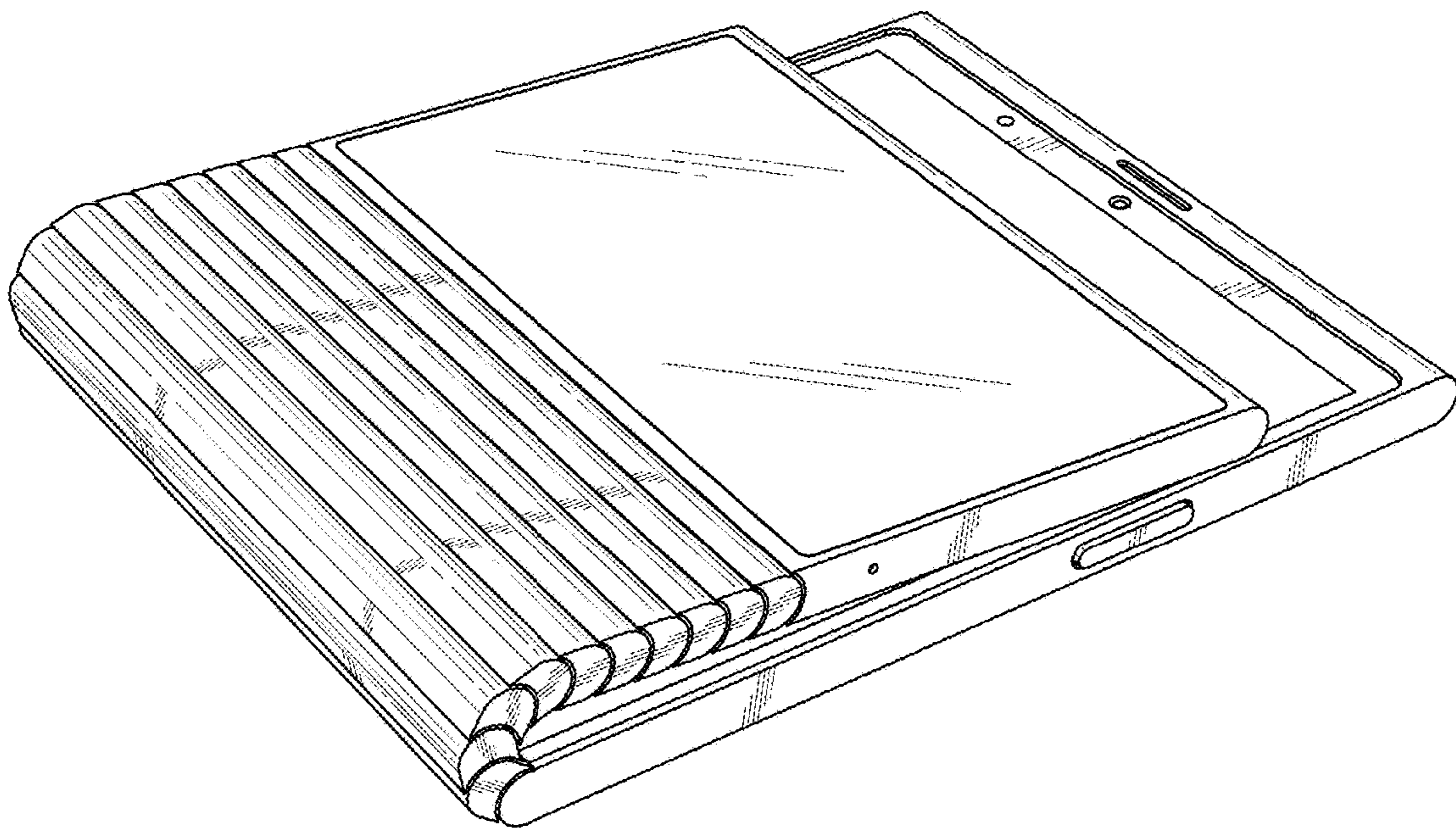


Fig. 10

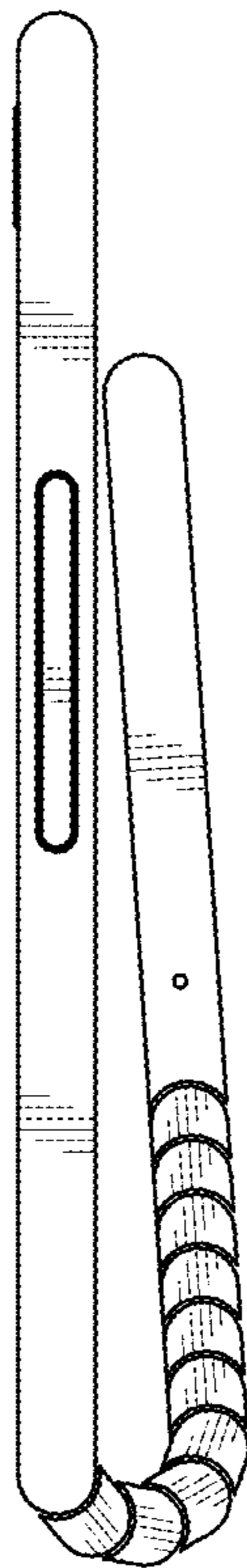


Fig. 11