



US00D828320S

(12) **United States Design Patent**
Tschopp

(10) **Patent No.:** **US D828,320 S**
(45) **Date of Patent:** **** Sep. 11, 2018**

(54) **ELECTRONIC DEVICE**

(71) Applicant: **Black & Decker Inc.**, New Britain, CT (US)

(72) Inventor: **Tylan A. Tschopp**, Baltimore, MD (US)

(73) Assignee: **Black & Decker Inc.**, New Britain, CT (US)

(**) Term: **15 Years**

(21) Appl. No.: **29/587,564**

(22) Filed: **Dec. 14, 2016**

(51) **LOC (11) Cl.** **14-03**

(52) **U.S. Cl.**
USPC **D14/138 G**

(58) **Field of Classification Search**
USPC D14/138 AA, 138 AB, 138 AD, 138 AC,
D14/138 C, 138 G, 138 R, 248, 250, 253,
D14/341, 440; D3/215, 218, 269;
D21/517
CPC H04M 1/03; H04B 1/3888; H04N 5/2252
See application file for complete search history.

(56) **References Cited**

U.S. PATENT DOCUMENTS

D610,110 S * 2/2010 Lee D14/138 AA
D701,211 S * 3/2014 Ng D14/440
D703,210 S * 4/2014 Gelsomini D14/440
D726,170 S * 4/2015 Ng D14/250
9,176,532 B2 * 11/2015 Tages G06F 1/1633

D769,855 S * 10/2016 Deng D14/250
D775,100 S * 12/2016 Teruyama D14/138 G
D794,625 S * 8/2017 Armstrong D14/250
2015/0068934 A1 * 3/2015 Armstrong A45C 11/00
206/320
2016/0182114 A1 * 6/2016 Tien H04B 1/3888
224/191

* cited by examiner

Primary Examiner — Sheryl Lane

Assistant Examiner — Calvin E Vansant

(74) *Attorney, Agent, or Firm* — Adan Ayala

(57) **CLAIM**

The ornamental design for an electronic device, as shown and described.

DESCRIPTION

FIG. 1 is a front perspective view of an electronic device according to the invention.

FIG. 2 is a front view of the electronic device of FIG. 1.

FIG. 3 is a rear view of the electronic device of FIG. 1.

FIG. 4 is a left side view of the electronic device of FIG. 1.

FIG. 5 is a right side view of the electronic device of FIG. 1.

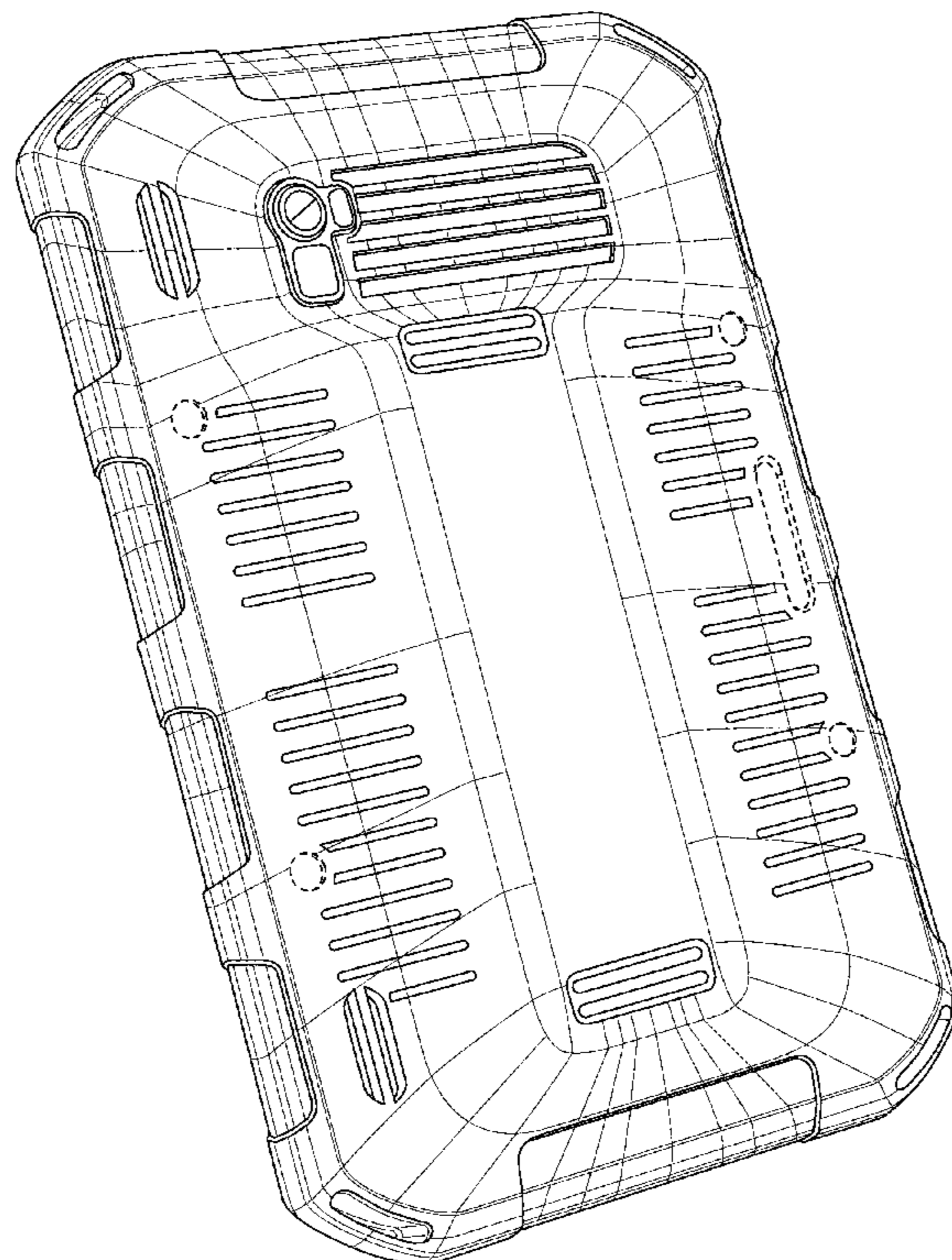
FIG. 6 is a top plan view of the electronic device of FIG. 1.

FIG. 7 is a bottom plan view of the electronic device of FIG. 1; and,

FIG. 8 is a rear perspective view of the electronic device of FIG. 1.

The broken lines depict portions of the electronic device that form no part of the claimed design.

1 Claim, 8 Drawing Sheets



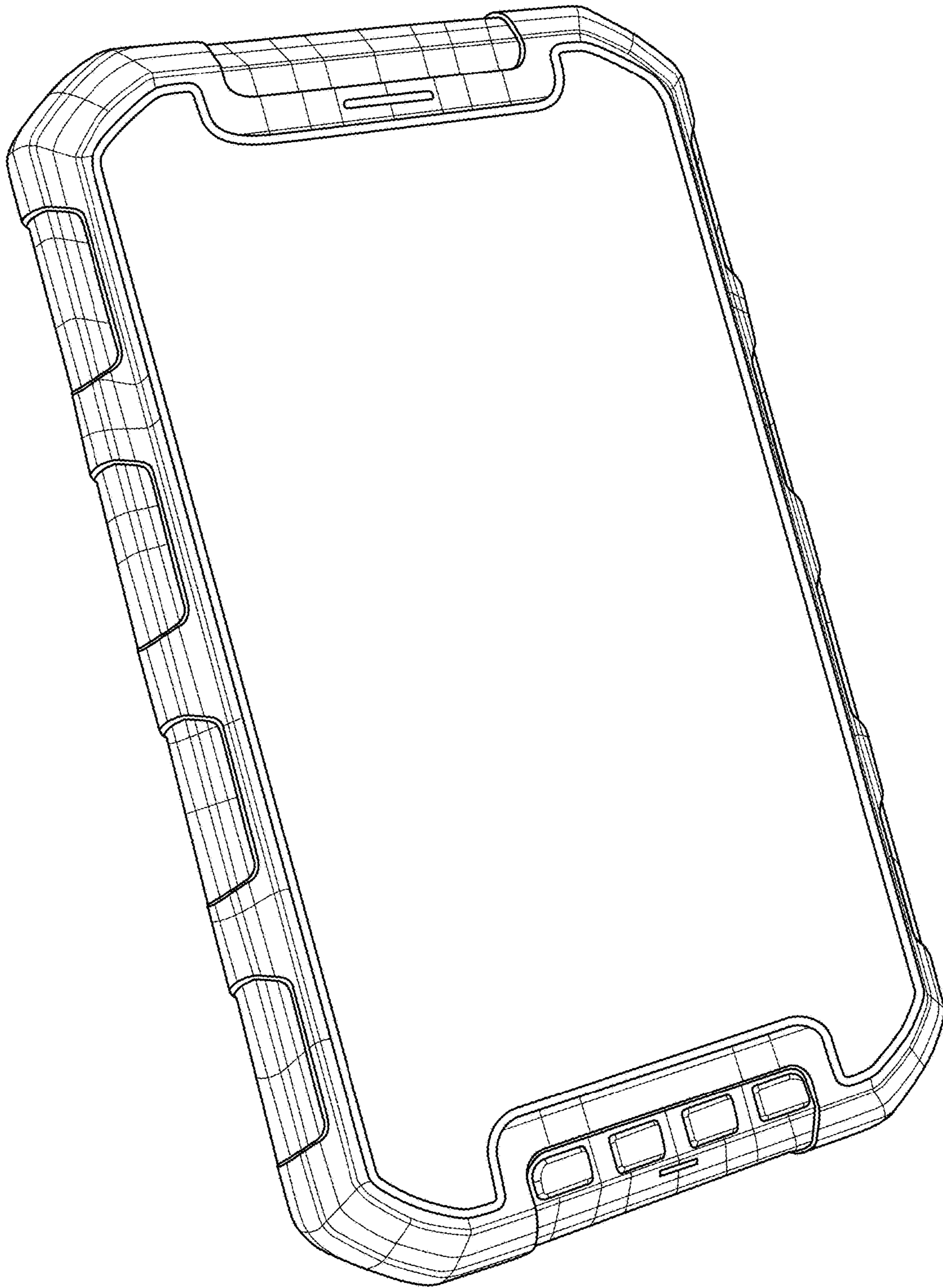


FIG. 1

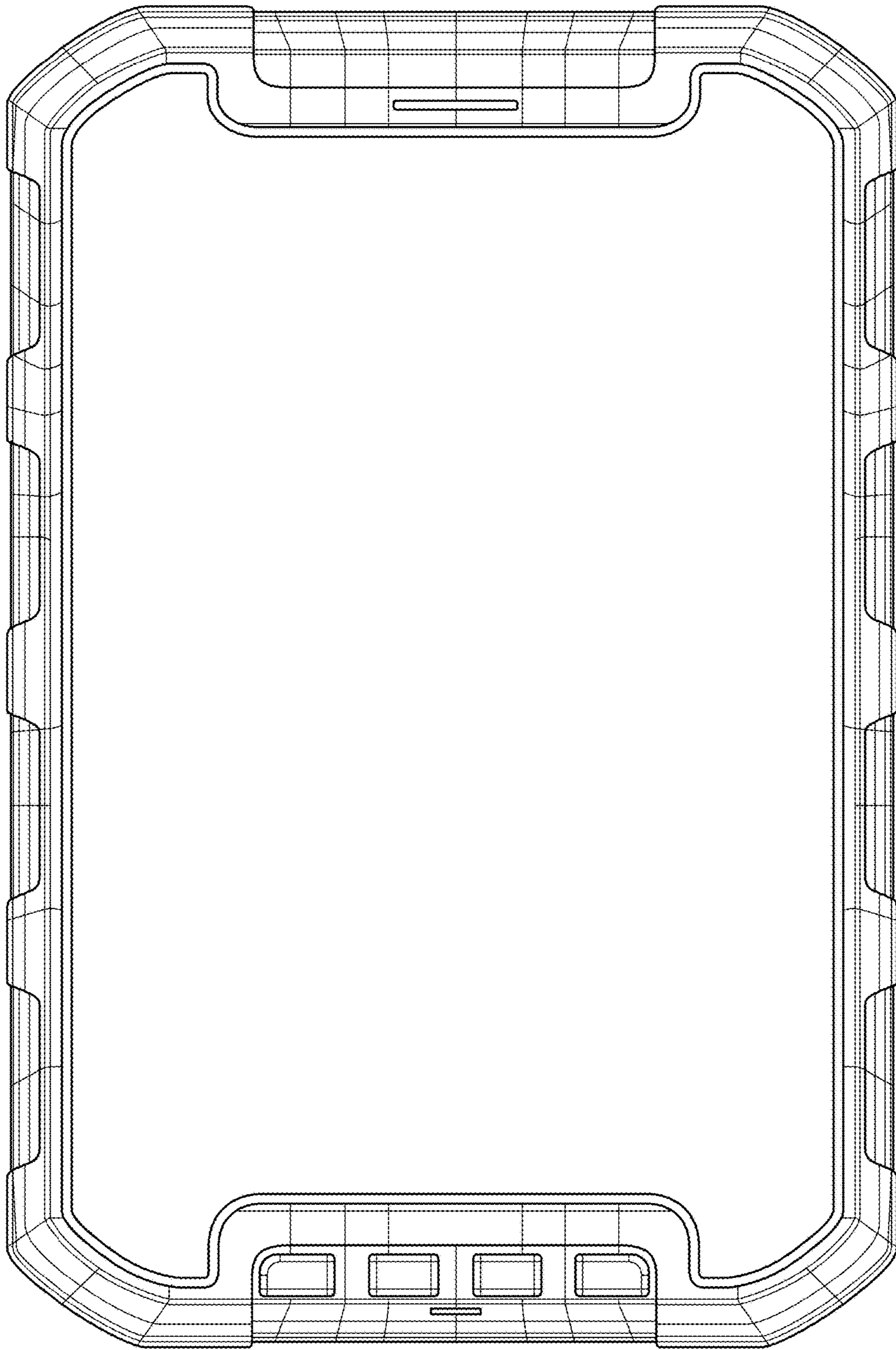


FIG. 2

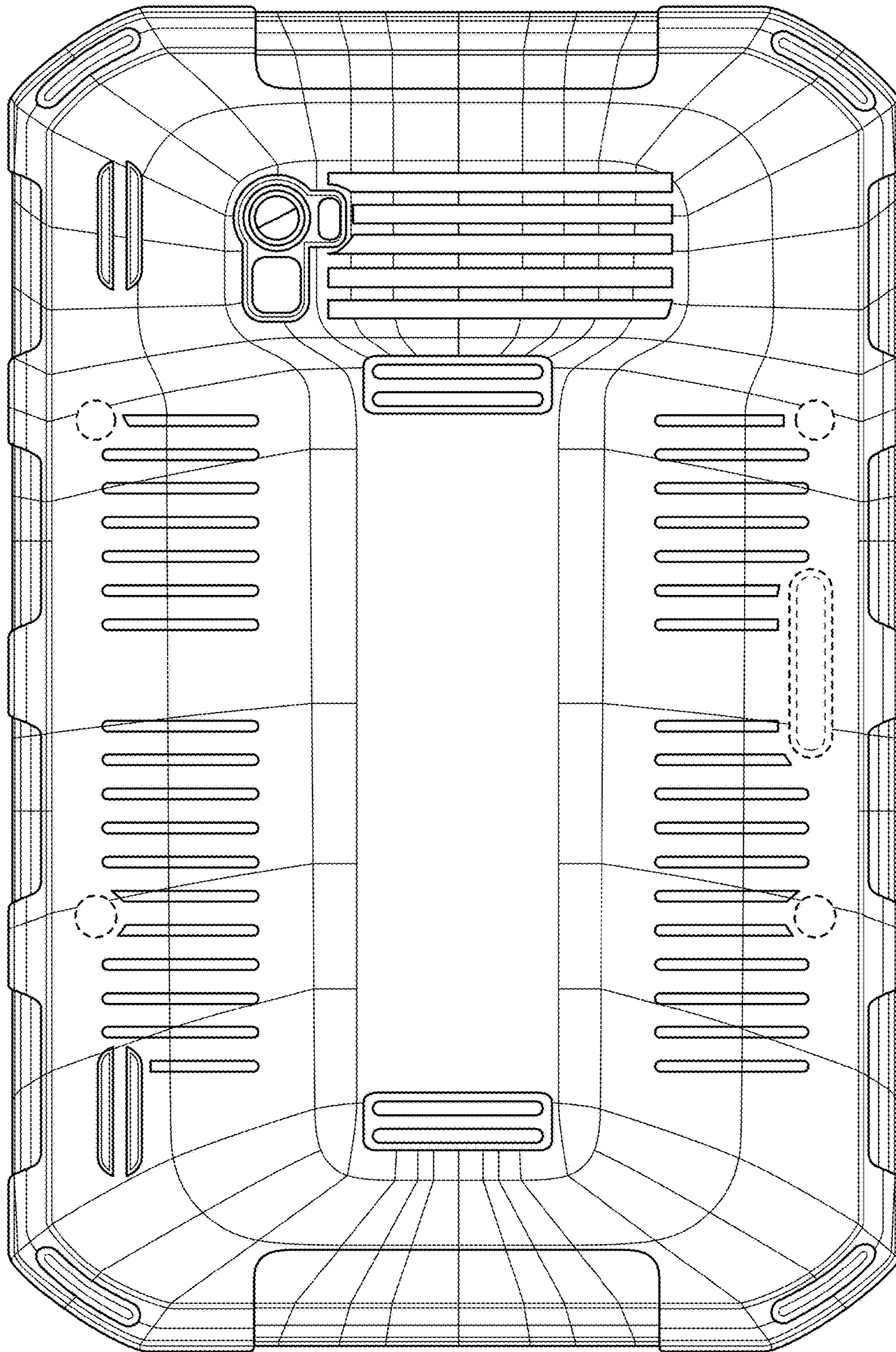


FIG. 3

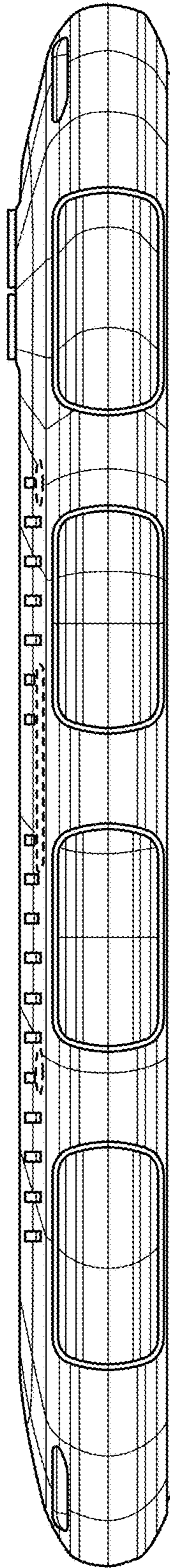


FIG. 4

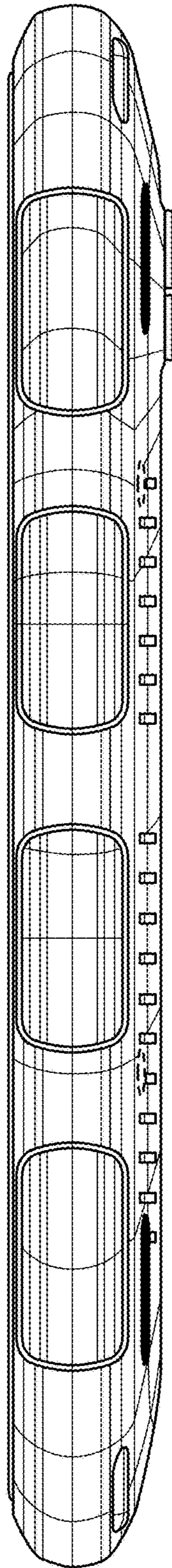


FIG. 5

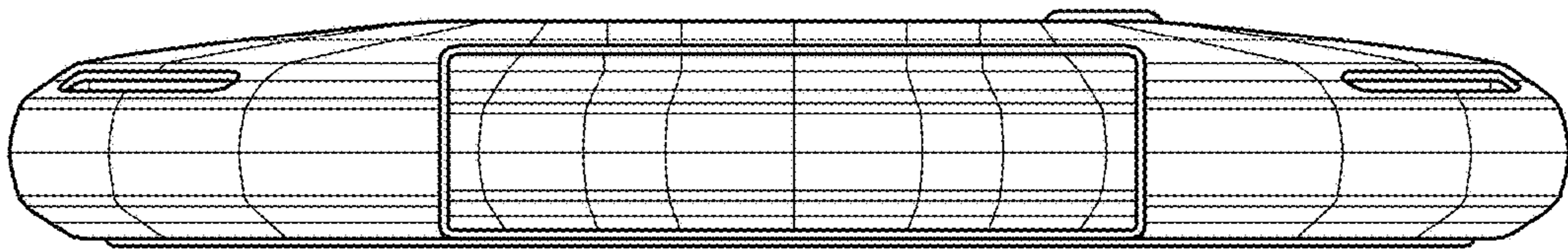


FIG. 6

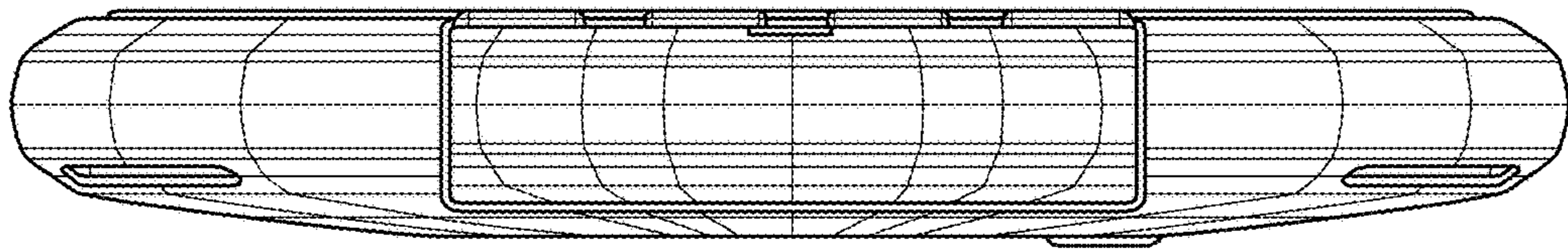


FIG. 7

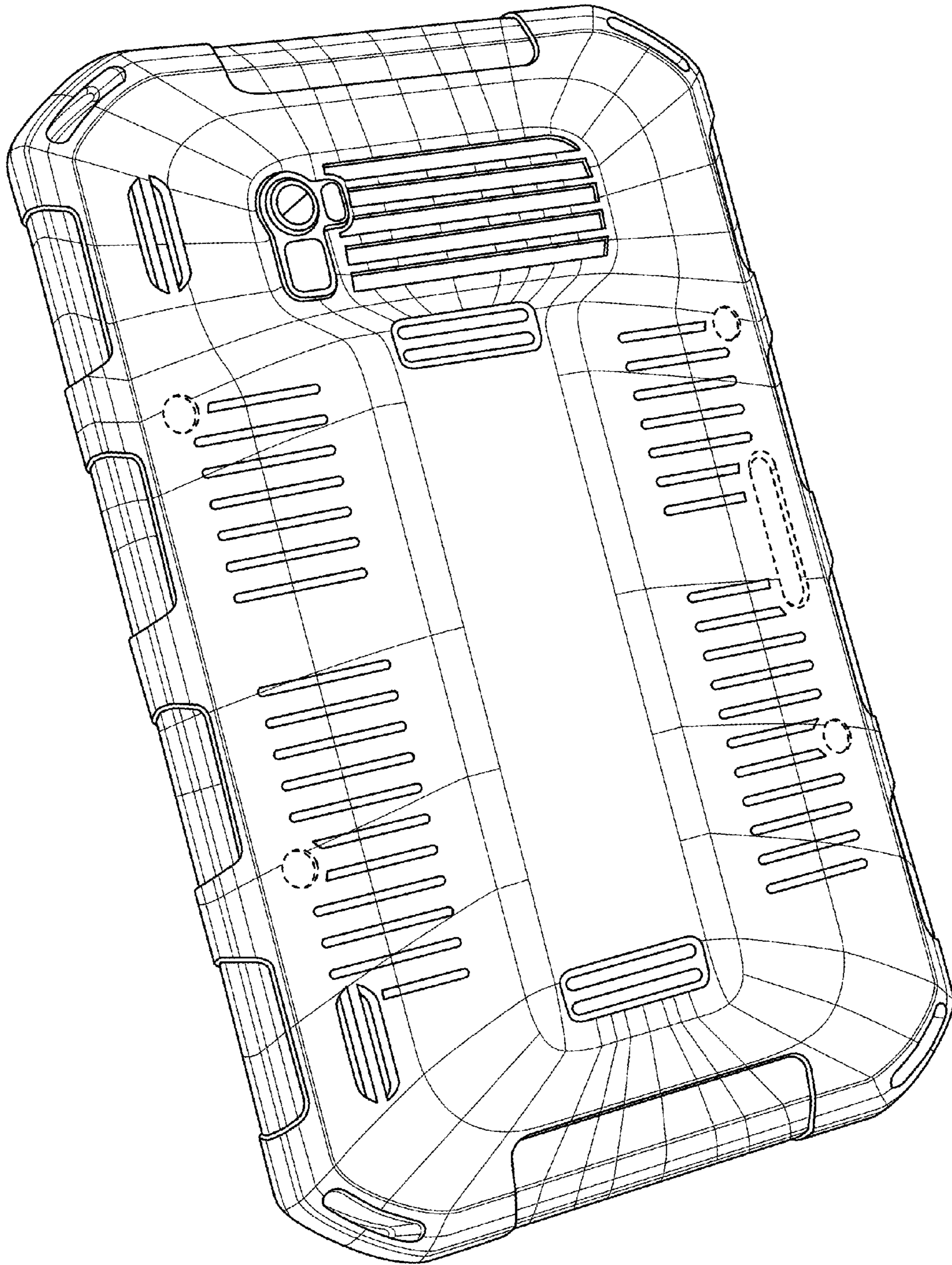


FIG. 8