

US00D828318S

(12) **United States Design Patent** (10) **Patent No.:** **US D828,318 S**
Seo et al. (45) **Date of Patent:** **** *Sep. 11, 2018**

(54) **MOBILE PHONE**

Retrieved from url:https://www.concept-phones.com/microsoft/fresh-surface-phone-concept-foldable-body-video/.*

(71) Applicant: **LG Electronics Inc.**, Seoul (KR)

(Continued)

(72) Inventors: **Kiyeal Seo**, Seoul (KR); **Seunghoon Ryu**, Seoul (KR); **Jinwan Bae**, Seoul (KR)

Primary Examiner — Jeffrey D Asch

Assistant Examiner — Tracey J. Bell

(74) *Attorney, Agent, or Firm* — Birch, Stewart, Kolasch & Birch, LLP

(73) Assignee: **LG ELECTRONICS INC.**, Seoul (KR)

(*) Notice: This patent is subject to a terminal disclaimer.

(57) **CLAIM**

The ornamental design for a mobile phone, as shown and described.

(**) Term: **15 Years**

DESCRIPTION

(21) Appl. No.: **29/574,782**

FIG. 1 is a perspective view of a mobile phone showing our new design;

(22) Filed: **Aug. 18, 2016**

FIG. 2 is a front view thereof;

(30) **Foreign Application Priority Data**

Feb. 19, 2016 (KR) 30-2016-0007805

FIG. 3 is a rear view thereof;

(51) **LOC (11) Cl.** **14-03**

FIG. 4 is a left side view thereof;

(52) **U.S. Cl.**

USPC **D14/138 AB**; D14/138 AD

FIG. 5 is a right side view thereof;

(58) **Field of Classification Search**

USPC D14/138 AA, 138 AB, 138 AC, 138 AD, D14/138 C, 138 G, 138 R, 248, 341, 342,

FIG. 6 is a top plan view thereof;

(Continued)

FIG. 7 is a bottom plan view thereof;

(56) **References Cited**

U.S. PATENT DOCUMENTS

D680,525 S * 4/2013 Deto D14/341

D681,000 S * 4/2013 Koh D14/203.4

(Continued)

FIG. 8 is a perspective view thereof showing the state that when folding the subject design in half, the back cover part is pushed aside and then the transparent part on the front left side can be seen at the back side;

FIG. 9 is a perspective view thereof in which the subject design is folded in half;

FIG. 10 is a front view of FIG. 9;

FIG. 11 is a rear view of FIG. 9;

FIG. 12 is a left side view of FIG. 9;

FIG. 13 is a right side view of FIG. 9;

FIG. 14 is a top plan view of FIG. 9;

FIG. 15 is a bottom plan view of FIG. 9; and,

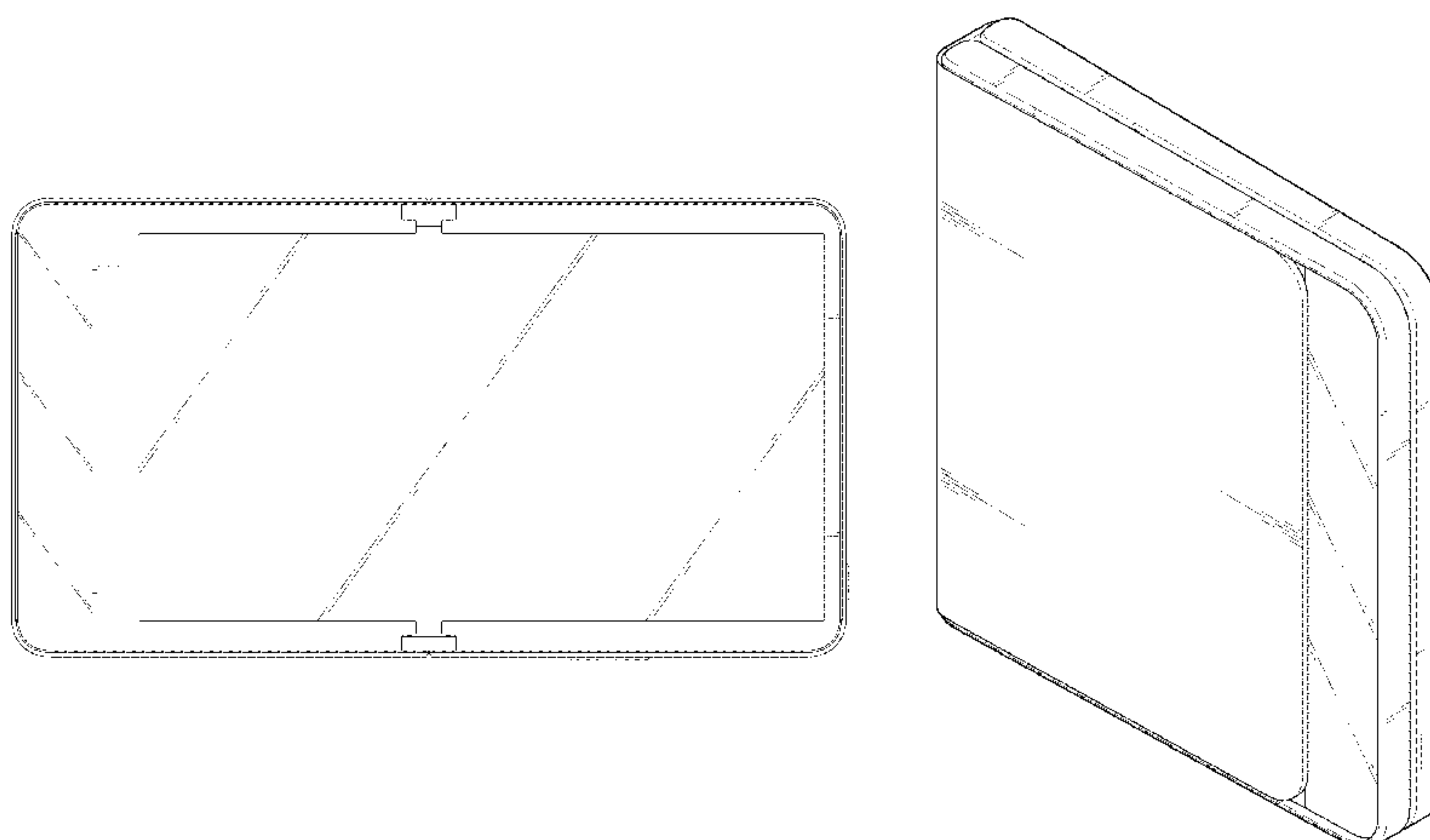
FIG. 16 is a front view of FIG. 9 showing an example of the usage of the subject design.

The broken lines depict portions of the mobile phone that form no part of the claimed design. The broken line in FIG. 16 show an example of the mobile phone in a state of operation and form no part of the claimed design.

(Continued)

OTHER PUBLICATIONS

Fresh Surface Phone Concept Has Foldable Body, by Kelvin on Concept Phones, Oct. 5, 2017, [online], [site visited Nov. 1, 2017].



The appearance of the interior in a partially closed position forms no part of the claimed design.

1 Claim, 14 Drawing Sheets

(58) Field of Classification Search

USPC D14/345, 346, 203.1, 203.3, 203.7, 218, D14/329, 250, 315–318, 388, 389; D10/50; D18/6, 7
 CPC . G06F 1/1652; H04M 1/0214; H04M 1/0218; H04M 1/0268; H04M 1/027; H04M 1/0202; H04M 1/0279; H04M 1/0235; H04M 1/0237; H04M 1/0239; H04M 1/0266; H04M 1/0295

See application file for complete search history.

(56) References Cited

U.S. PATENT DOCUMENTS

9,213,428	B2 *	12/2015	Ma	G06F 3/041
D749,573	S *	2/2016	Park	D14/203.4
D749,574	S *	2/2016	Park	D14/203.4
D749,575	S *	2/2016	Park	D14/203.4
D754,657	S *	4/2016	Kim	D14/345
D757,717	S *	5/2016	Park	D14/341
D767,525	S *	9/2016	Byun	D14/138 AB
D778,253	S *	2/2017	Kwak	D14/138 AB
D782,436	S *	3/2017	Kwak	D14/138 AB
D788,773	S *	6/2017	Seo	D14/345
D788,774	S *	6/2017	Seo	D14/345
9,690,385	B2 *	6/2017	Becze	G06F 3/017
D800,112	S *	10/2017	Park	D14/345
D804,443	S *	12/2017	Kang	D14/138 AB
D807,854	S *	1/2018	Seo	D14/138 AB
D807,855	S *	1/2018	Seo	D14/138 AB
D807,856	S *	1/2018	Seo	D14/138 AB
D815,055	S *	4/2018	Seo	D14/138 AB
2011/0074655	A1 *	3/2011	Tan	H04M 1/0214 345/1.1
2013/0307816	A1 *	11/2013	Lee	G06F 1/1652 345/174
2013/0342090	A1 *	12/2013	Ahn	G09F 9/33 312/258
2015/0160698	A1 *	6/2015	Tsukamoto	G06F 1/1616 345/1.3

2015/0233162	A1 *	8/2015	Lee	H04M 1/02 16/223
2015/0338888	A1 *	11/2015	Kim	G06F 1/1677 345/156
2016/0011628	A1 *	1/2016	Sato	G06F 1/1656 361/679.3
2016/0085271	A1 *	3/2016	Morrison	G06F 1/1681 361/679.27
2016/0147263	A1 *	5/2016	Choi	G06F 1/1652 361/679.3
2016/0155967	A1 *	6/2016	Lee	G06F 3/0412 257/88
2016/0334836	A1 *	11/2016	Hong	G06F 1/1616
2017/0123558	A1 *	5/2017	Hong	G09G 3/001
2017/0185289	A1 *	6/2017	Kim	G06F 1/1641
2017/0206863	A1 *	7/2017	An	G06F 1/1652
2017/0278900	A1 *	9/2017	Yang	H01L 27/3272

OTHER PUBLICATIONS

Lenovo Folio is a Foldable Tablet That Actually Works, by Kelvin on Concept Phones, Jul. 22, 2017, [online], [site visited Nov. 1, 2017]. Retrieved from url:<https://www.concept-phones.com/lenovo/lenovo-folio-foldable-tablet-works-video/>.*

Microsoft Surface Note is Basically the Surface Phone Courier We Want, by Kelvin on Concept Phones, Jun. 18, 2017, [online], [site visited Nov. 1, 2017]. Retrieved from url:<https://www.concept-phones.com/microsoft/microsoft-surface-note-basically-surface-phone-courier/>.*

Lunark is a Dual Folding Smartphone With a Special Hinge Included, by Kelvin on Concept Phones, Aug. 26, 2015, [online], [site visited Nov. 1, 2017]. Retrieved from url:<https://www.concept-phones.com/cool-concepts/lunark-dual-folding-smartphone-special-hinge-included/>.*

Probably the Most Beautiful Samsung Galaxy S5 Render is Here, With Folding Display, by Thrystan on Concept Phones, Sep. 2, 2013, [online], [site visited Nov. 1, 2017]. Retrieved from url:<https://www.concept-phones.com/samsung/beautiful-samsung-galaxy-s5-render-folding-display/>.*

Samsung Galaxy S5 Concept is a Folding Device; 3D Detailed Render Here, by Thrystan on Concept Phones, Apr. 29, 2013, [online], [site visited Nov. 1, 2017]. Retrieved from url:<https://www.concept-phones.com/samsung/samsung-galaxy-s5-concept-folding-device-3d-detailed-render/>.*

Youm Flexible OLED Display Commercial: Samsung CES 2013, Jan. 9, 2013, [online], [site visited Nov. 18, 2017]. Retrieved from url:<https://www.youtube.com/watch?v=6OYTyI3ipgk>.*

* cited by examiner

FIG. 1

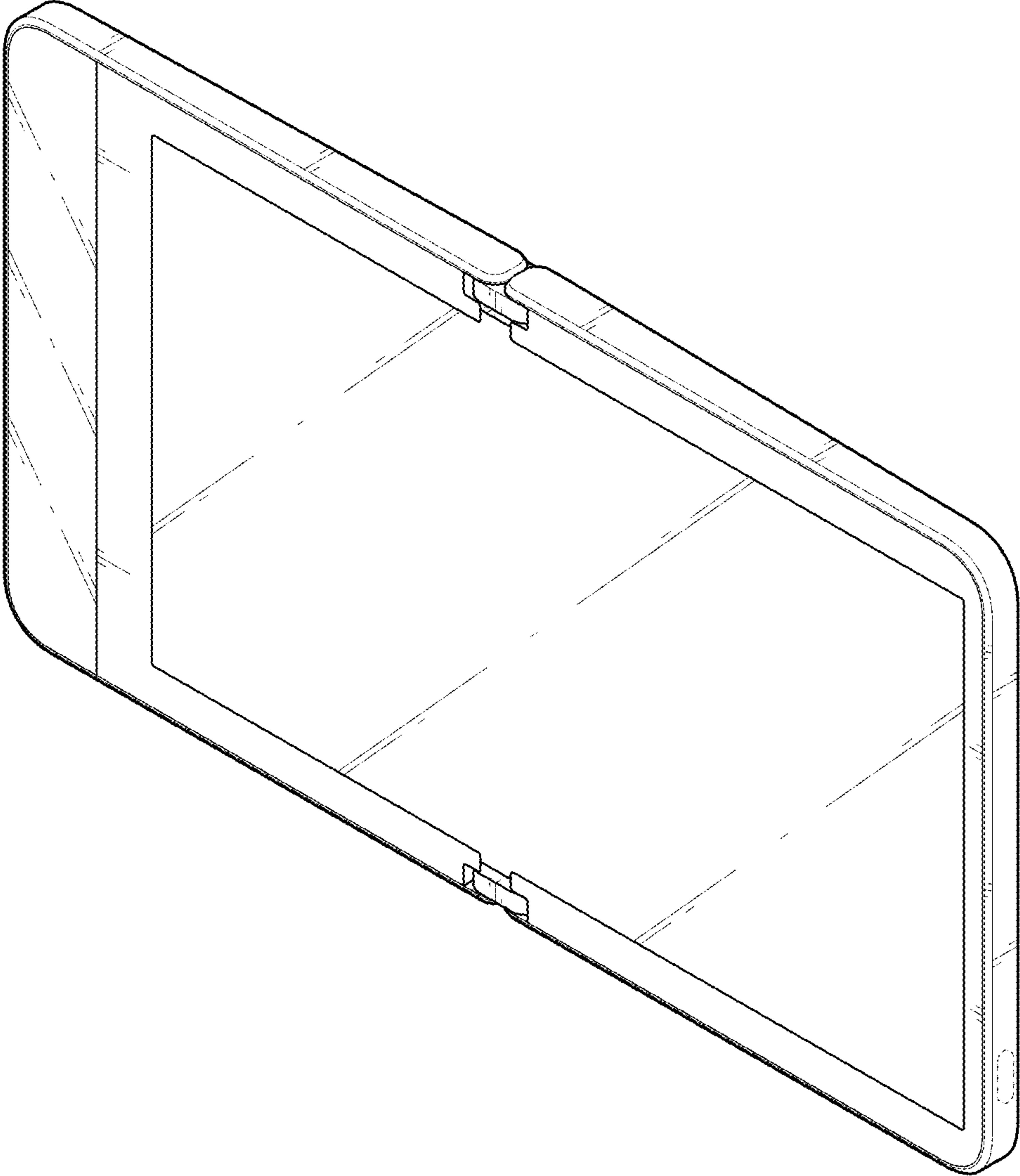


FIG. 2

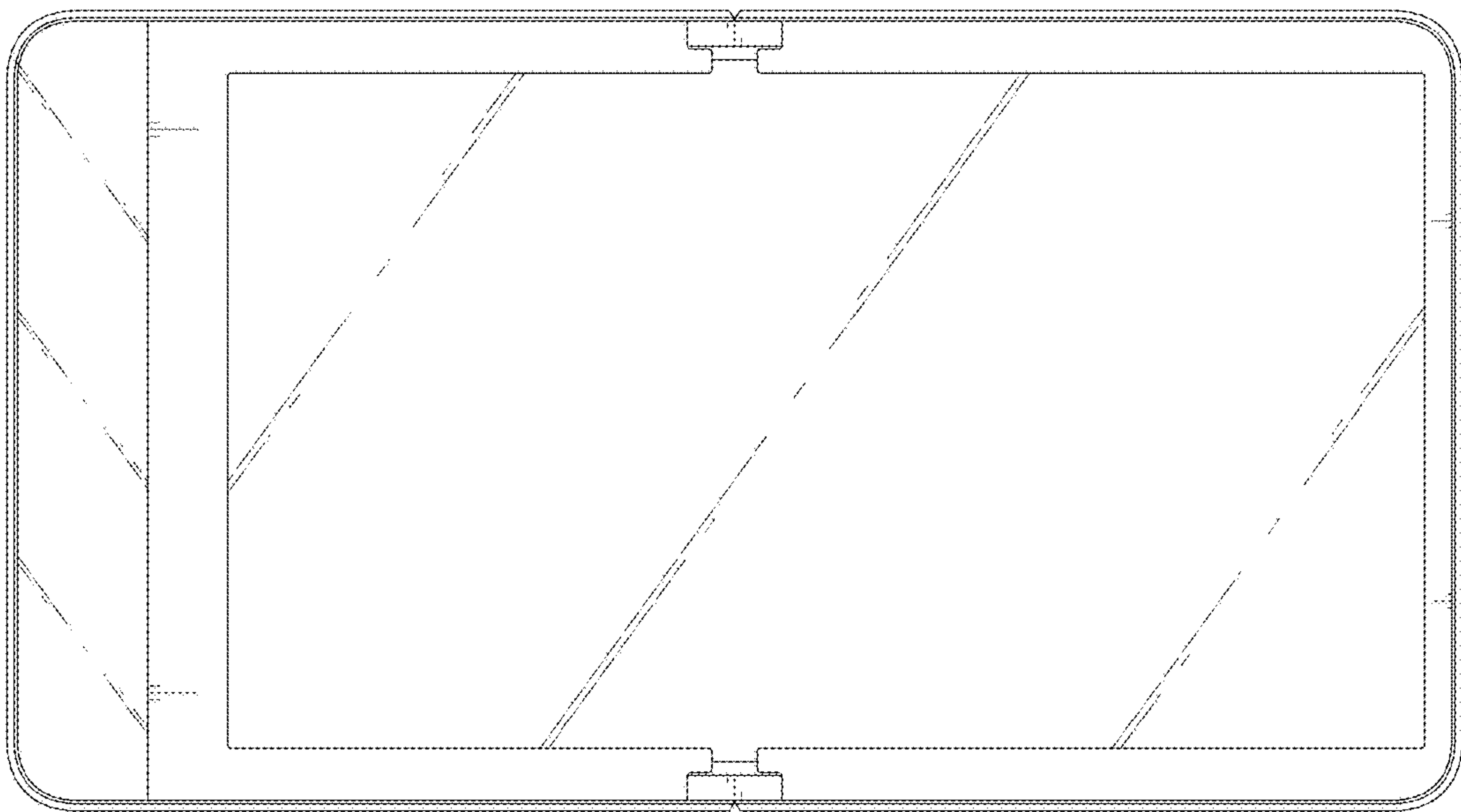


FIG. 3

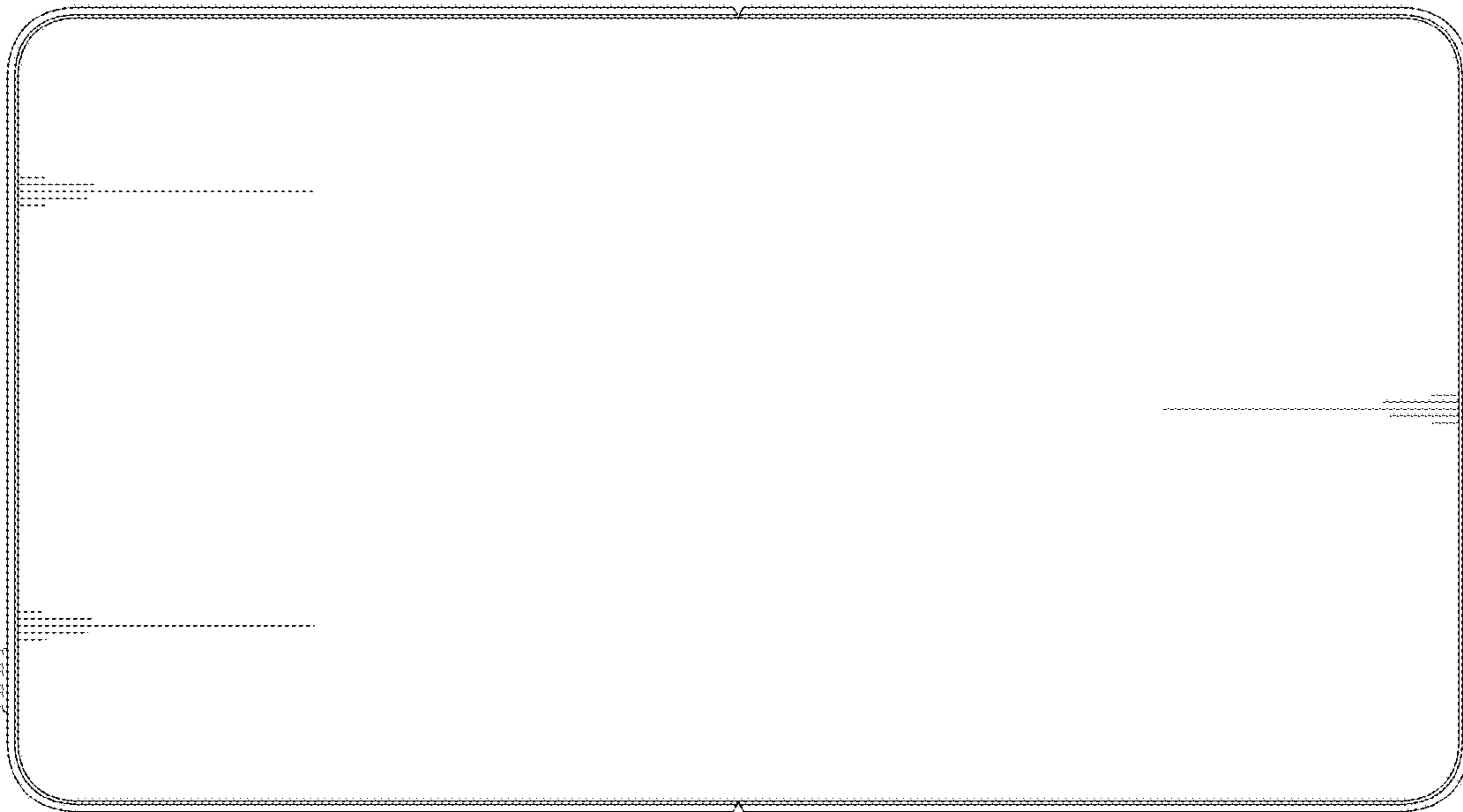


FIG. 4

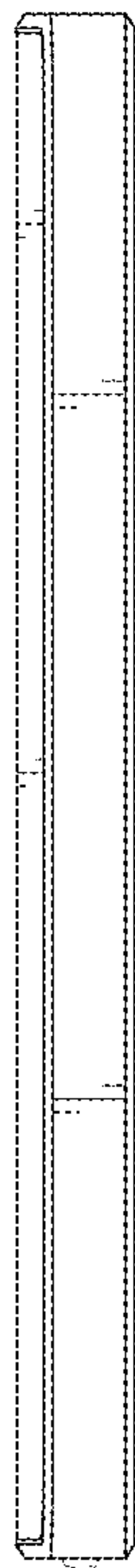


FIG. 5

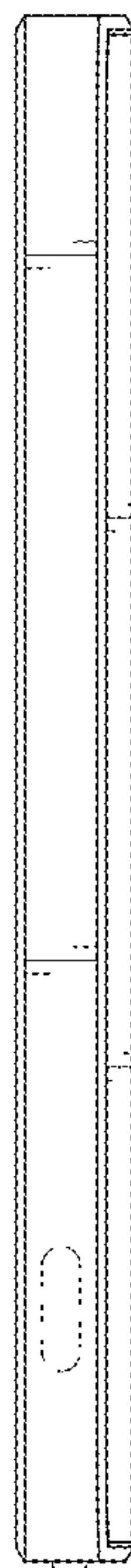


FIG. 6



FIG. 7



FIG. 8

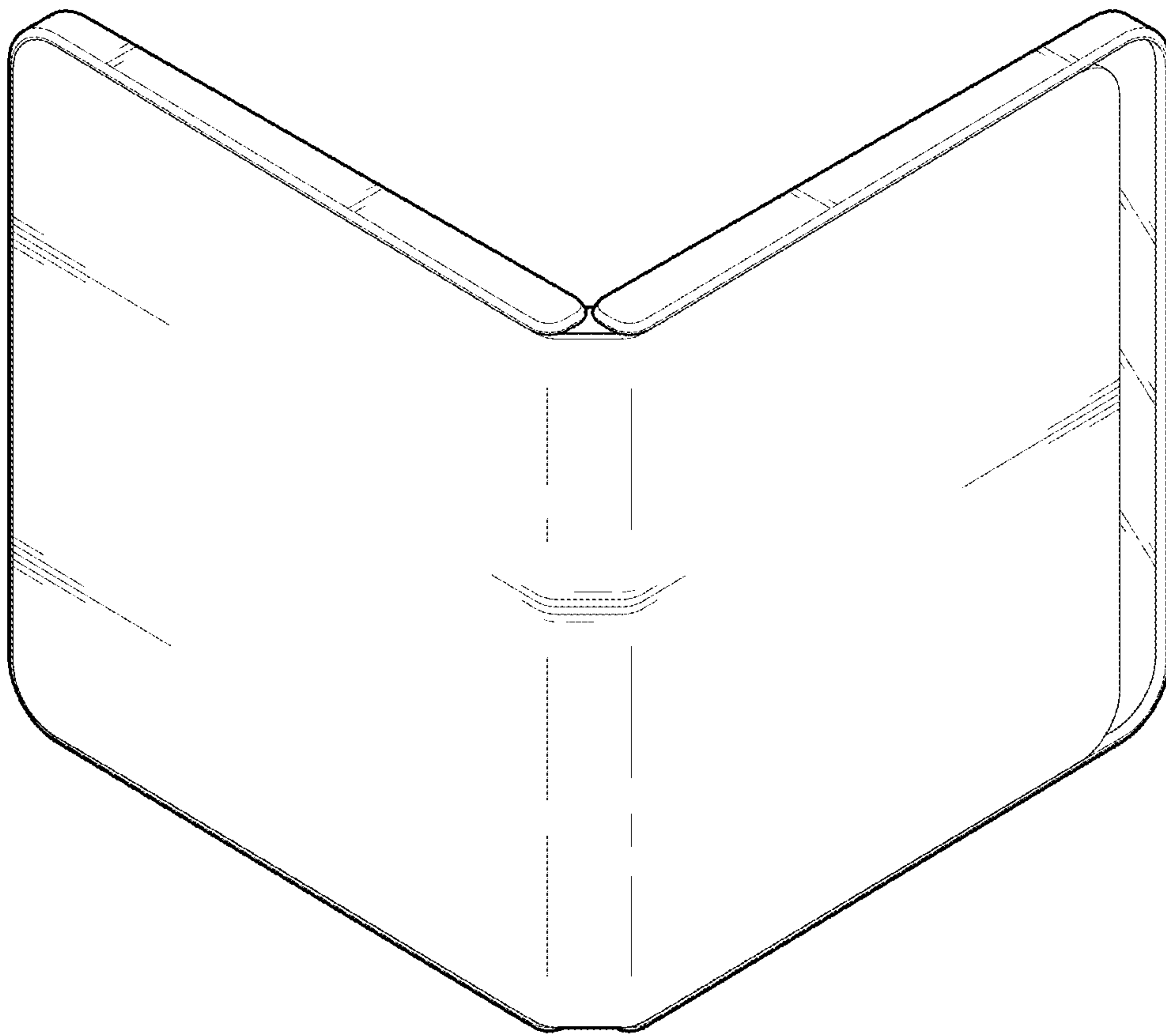


FIG. 9

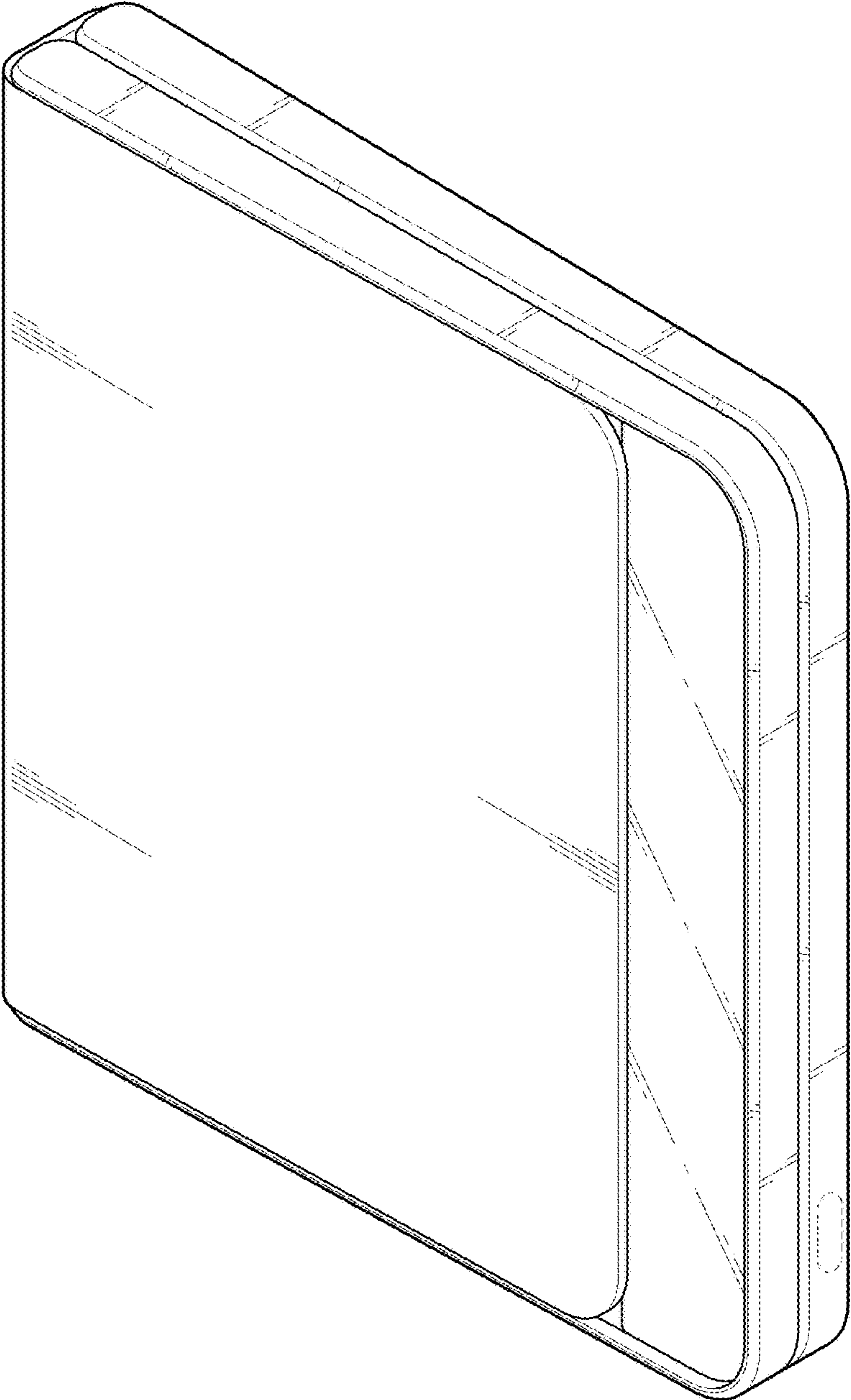


FIG. 10

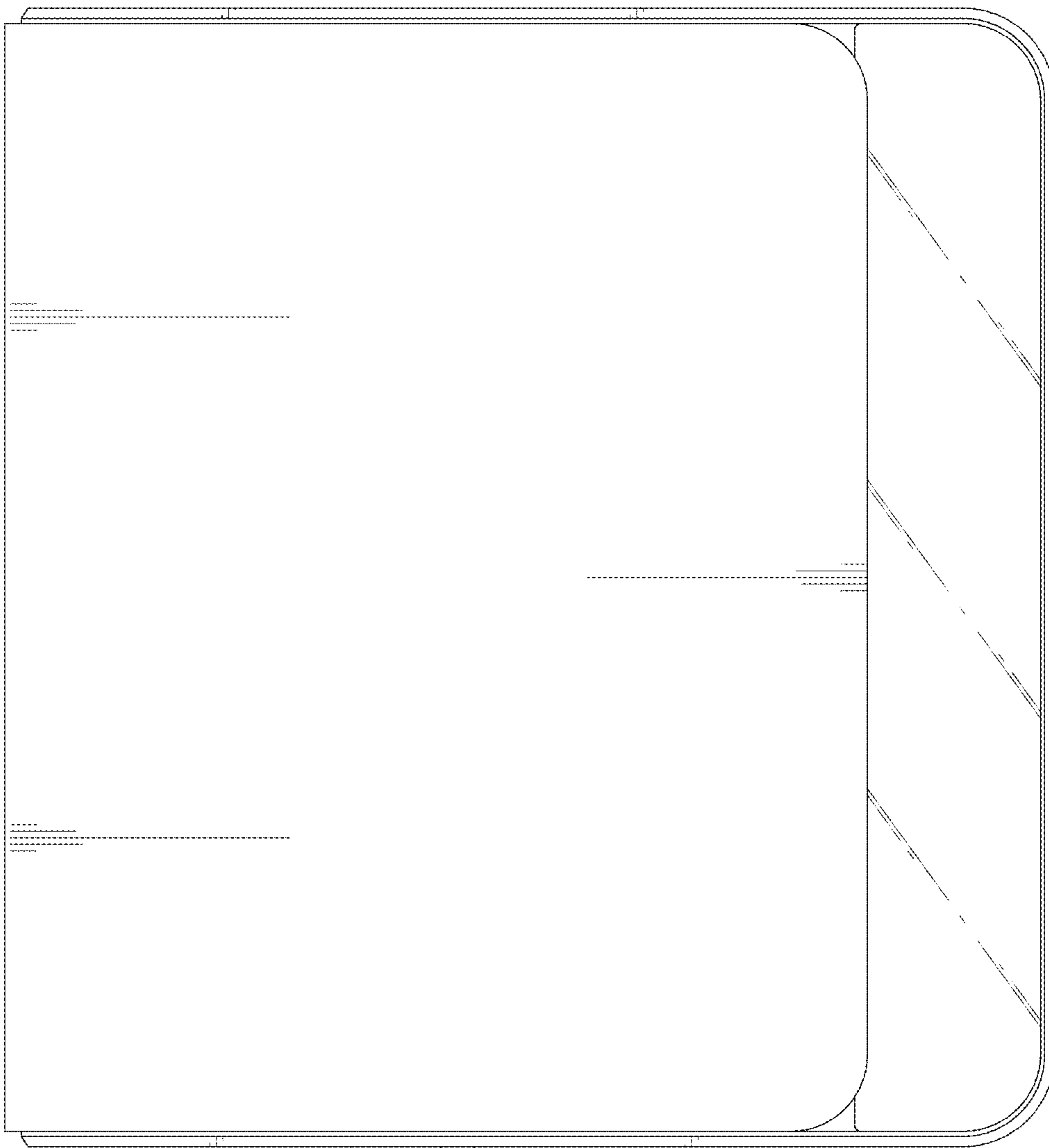


FIG. 11

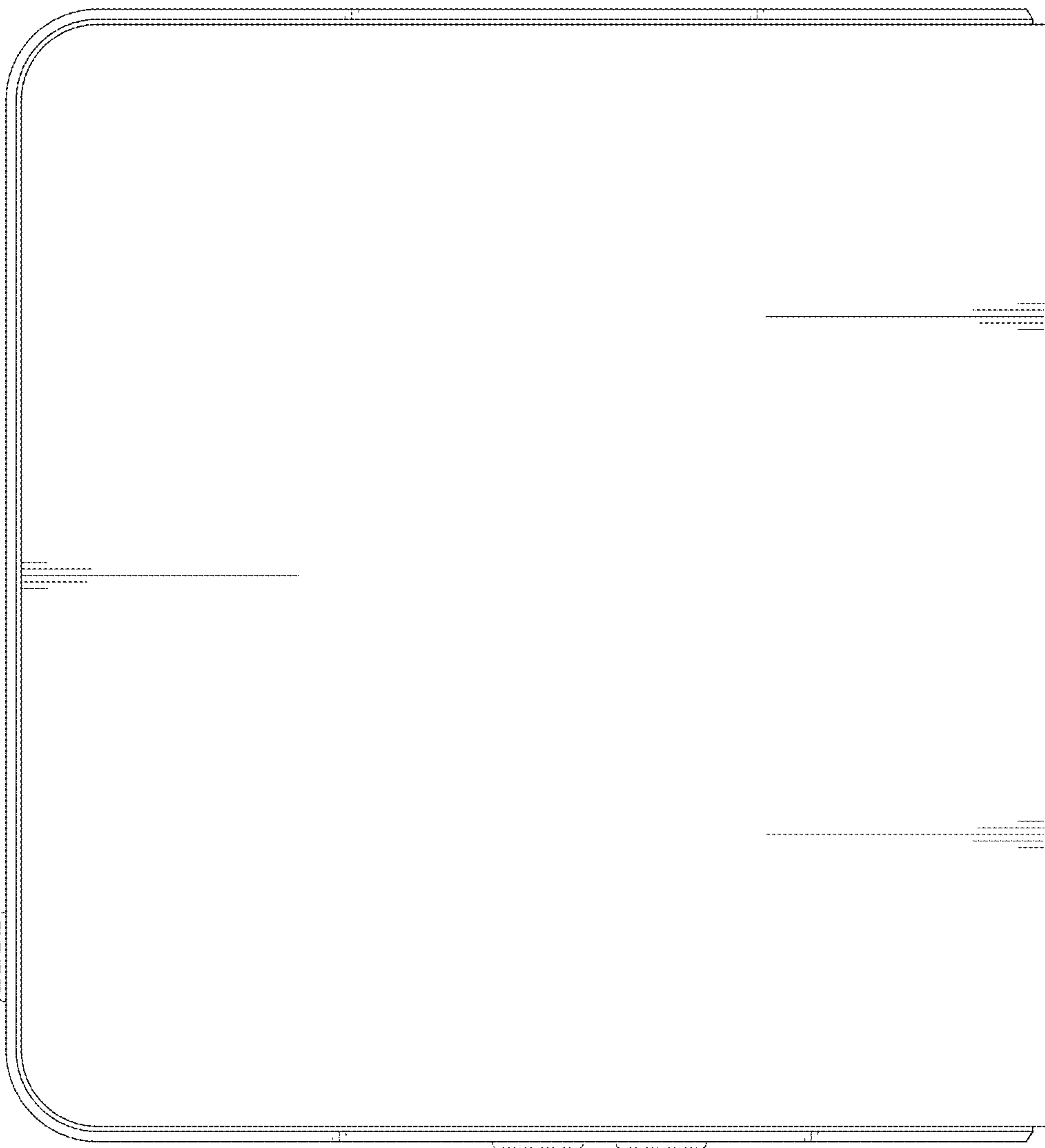


FIG. 12

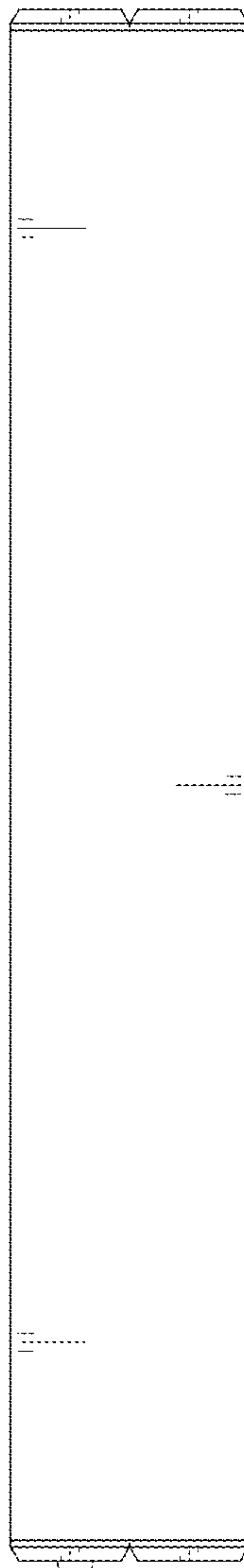


FIG. 13

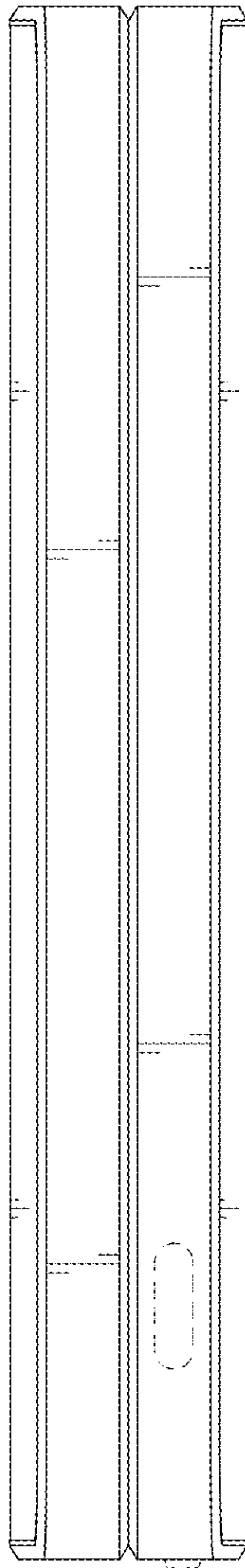


FIG. 14

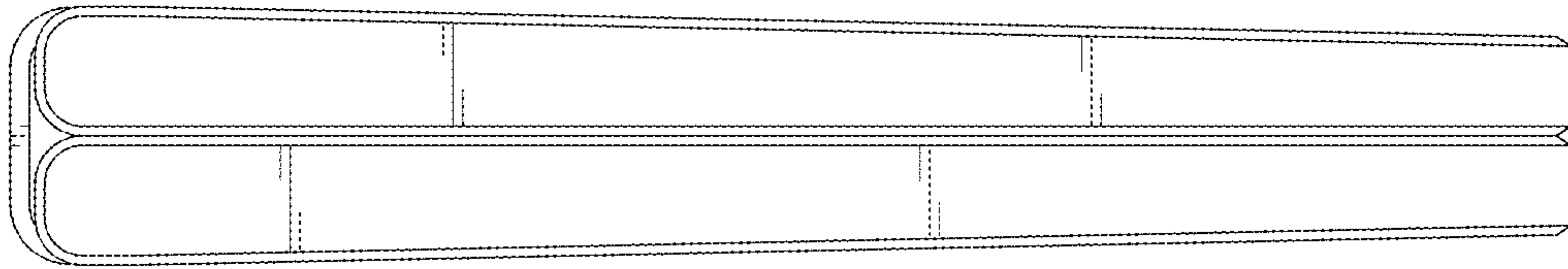


FIG. 15

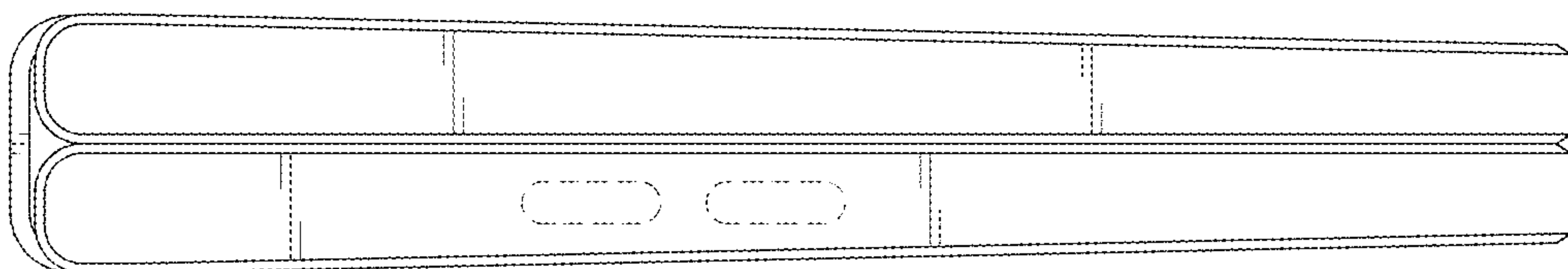


FIG. 16

