



US00D828317S

(12) **United States Design Patent** (10) **Patent No.:** **US D828,317 S**
Shin (45) **Date of Patent:** **** Sep. 11, 2018**

(54) **MOBILE PHONE**

(71) Applicant: **LG ELECTRONICS INC.**, Seoul (KR)

(72) Inventor: **Choonghwan Shin**, Seoul (KR)

(73) Assignee: **LG ELECTRONICS INC.**, Seoul (KR)

(**) Term: **15 Years**

(21) Appl. No.: **29/574,766**

(22) Filed: **Aug. 18, 2016**

(30) **Foreign Application Priority Data**

Feb. 19, 2016 (KR) 30-2016-0007813

(51) **LOC (11) Cl.** **14-03**

(52) **U.S. Cl.**
USPC **D14/138 R; D14/138 AD**

(58) **Field of Classification Search**
USPC D14/138 AA, 138 AB, 138 AC, 138 AD, D14/138 C, 138 G, 138 R, 248, 341, 342, D14/345, 346, 203.1, 203.3, 203.7, 218, D14/329, 250, 315-318, 388, 389; D10/50; D18/6, 7; D3/266
CPC . G06F 1/1652; H04M 1/0214; H04M 1/0218; H04M 1/0268; H04M 1/027; H04M 1/0202; H04M 1/0279; H04M 1/0235; H04M 1/0237; H04M 1/0239; H04M 1/0266; H04M 1/0295
See application file for complete search history.

(56) **References Cited**

U.S. PATENT DOCUMENTS

D757,001 S * 5/2016 Kim D14/138 R
D758,988 S * 6/2016 An D14/138 R
(Continued)

OTHER PUBLICATIONS

Samsung Flexible Roll Tablet Concept Rolls up Into a Cylindrical Body, by Kelvin on Concept Phones, Jun. 17, 2015, [online], [site

visited Oct. 24, 2017]. Retrieved from url:https://www.concept-phones.com/samsung/samsung-flexible-roll-tablet-concept-rolls-cylindrical-body/*

(Continued)

Primary Examiner — Jeffrey D Asch

Assistant Examiner — Tracey J Bell

(74) *Attorney, Agent, or Firm* — Birch, Stewart, Kolasch & Birch, LLP

(57) **CLAIM**

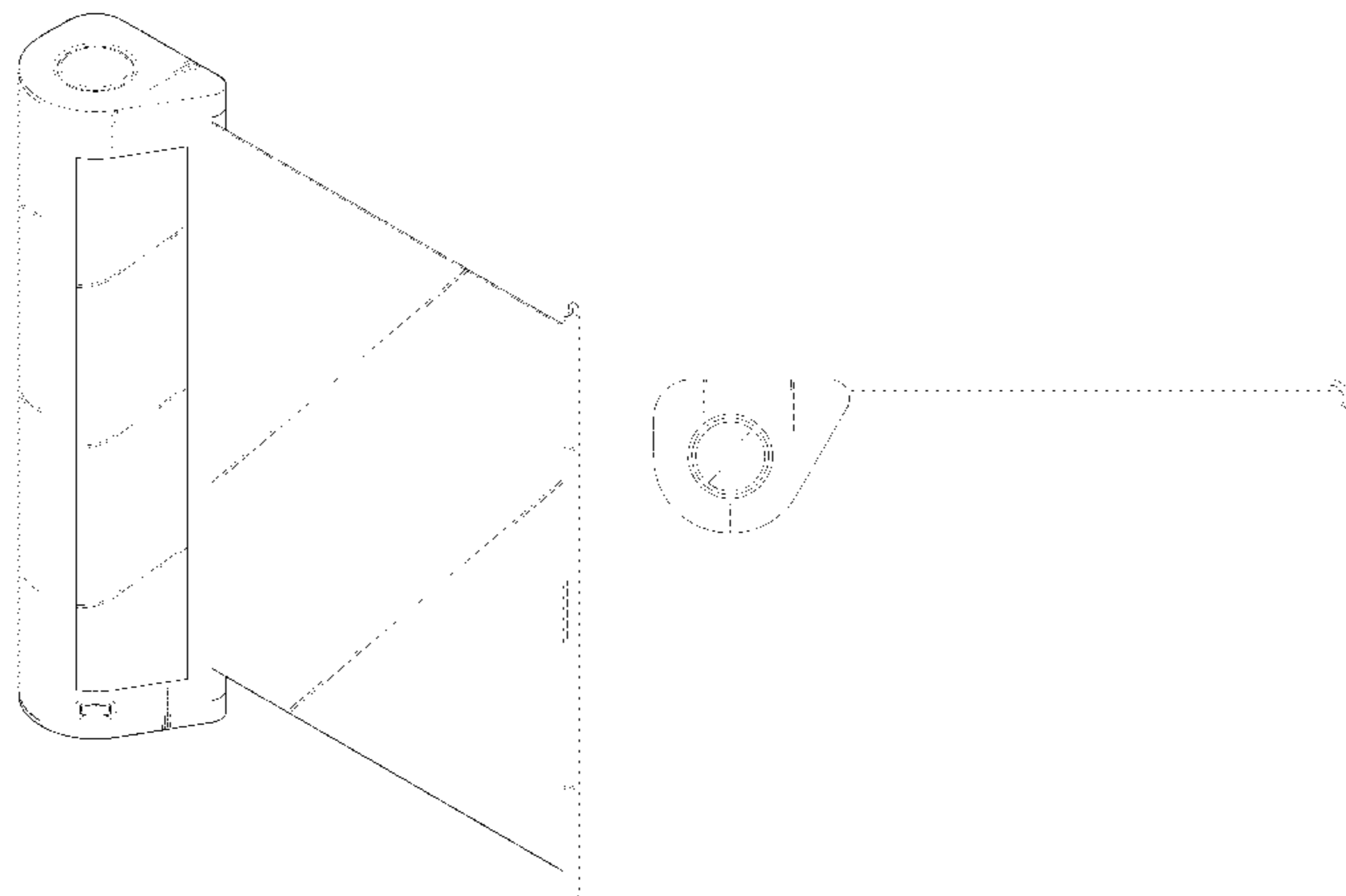
The ornamental design for a mobile phone, as shown and described.

DESCRIPTION

FIG. 1 is a perspective view of a mobile phone showing my new design;
FIG. 2 is a front view thereof;
FIG. 3 is a rear view thereof;
FIG. 4 is a left side view thereof;
FIG. 5 is a right side view thereof;
FIG. 6 is a top plan view thereof;
FIG. 7 is a bottom plan view thereof;
FIG. 8 is a perspective view thereof in which the flexible display part has been partially rolled inward;
FIG. 9 is a perspective view thereof in which the flexible display part has been completely rolled inward;
FIG. 10 is a front view of FIG. 9;
FIG. 11 is a rear view of FIG. 9;
FIG. 12 is a left side view of FIG. 9;
FIG. 13 is a right side view of FIG. 9;
FIG. 14 is a top plan view of FIG. 9; and
FIG. 15 is a bottom plan view of FIG. 9.

The broken lines shown immediately adjacent to the claim represent the bounds of the claimed design while all other broken lines are directed to environment and are for illustrative purposes only; the broken lines form no part of the claimed design.

1 Claim, 13 Drawing Sheets



(56)

References Cited

U.S. PATENT DOCUMENTS

9,594,461 B1 * 3/2017 Daniel G03H 1/2202
 2008/0049003 A1 * 2/2008 Hasegawa G06F 1/1615
 345/206
 2008/0086925 A1 * 4/2008 Yang H04M 1/0268
 40/610
 2011/0193829 A1 * 8/2011 Tsai G02F 1/133305
 345/204
 2013/0127917 A1 * 5/2013 Kwack G06F 1/1652
 345/660
 2013/0234951 A1 * 9/2013 Kim G06F 1/1652
 345/173
 2016/0029474 A1 * 1/2016 Cho H05K 1/028
 361/749
 2016/0034000 A1 * 2/2016 Lee G06F 1/1652
 361/749
 2016/0139633 A1 * 5/2016 Lee G06F 1/1652
 345/33
 2016/0202729 A1 * 7/2016 Lee G06F 1/1652
 361/750
 2016/0255713 A1 * 9/2016 Kim G02F 1/133305
 361/749
 2016/0307545 A1 * 10/2016 Lee G09G 5/38

2016/0324014 A1 * 11/2016 Lee G06F 1/1652
 2016/0363960 A1 * 12/2016 Park G06F 1/1656
 2017/0013705 A1 * 1/2017 Jahng F21V 33/0052
 2017/0023978 A1 * 1/2017 Cho H04M 1/0268
 2017/0027067 A1 * 1/2017 Choi G06F 1/1652
 2017/0090659 A1 * 3/2017 Shiozaki G06F 1/1652
 2017/0103735 A1 * 4/2017 Oh G06F 1/1626
 2017/0196102 A1 * 7/2017 Shin G01R 33/072
 2017/0278436 A1 * 9/2017 Chu G09F 9/301

OTHER PUBLICATIONS

Samsung One Flexible Display Phone is Pulled Out of a Pen, by Thyrstan on Concept Phones, Aug. 12, 2012, [online], [site visited Oct. 24, 2017]. Retrieved from url:<https://www.concept-phones.com/samsung/samsung-flexible-display-phone-pulled-pen/>.
 eRoll Flexible Paper Thin Screen, by Admin on NewHiTech Gadgets, Feb. 26, 2014, [online], [site visited Nov. 1, 2017]. Retrieved from url:<http://www.newhitechgadgets.com/eroll-flexible-paper-thin-screen/>.
 Youm Flexible OLED Display Commercial: Samsung CES 2013, Jan. 9, 2013, [online], [site visited Nov. 2, 2017]. Retrieved from url:<https://www.youtube.com/watch?v=6OYTyl3ipgk>.

* cited by examiner

FIG. 1

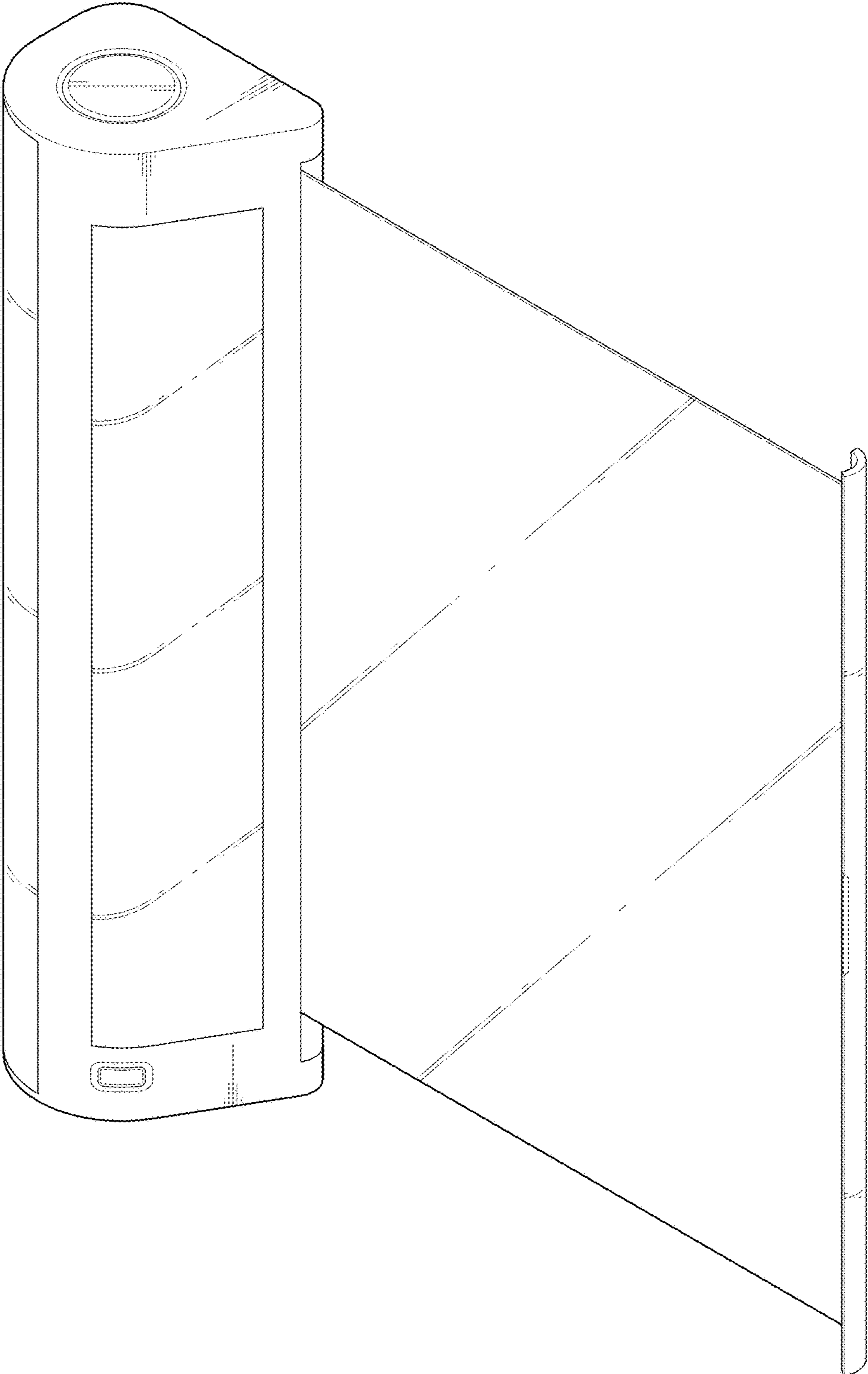


FIG. 2

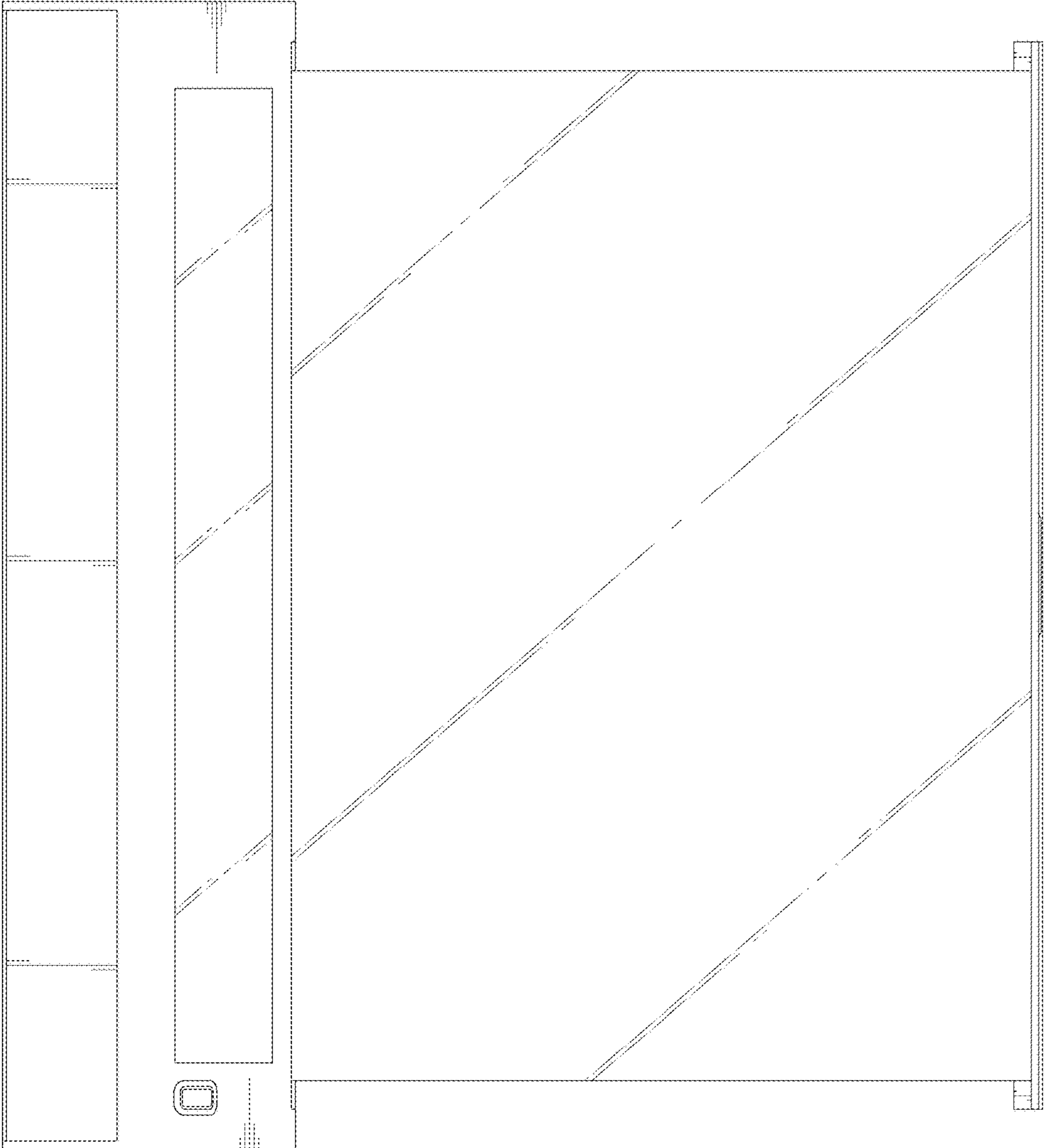


FIG. 3

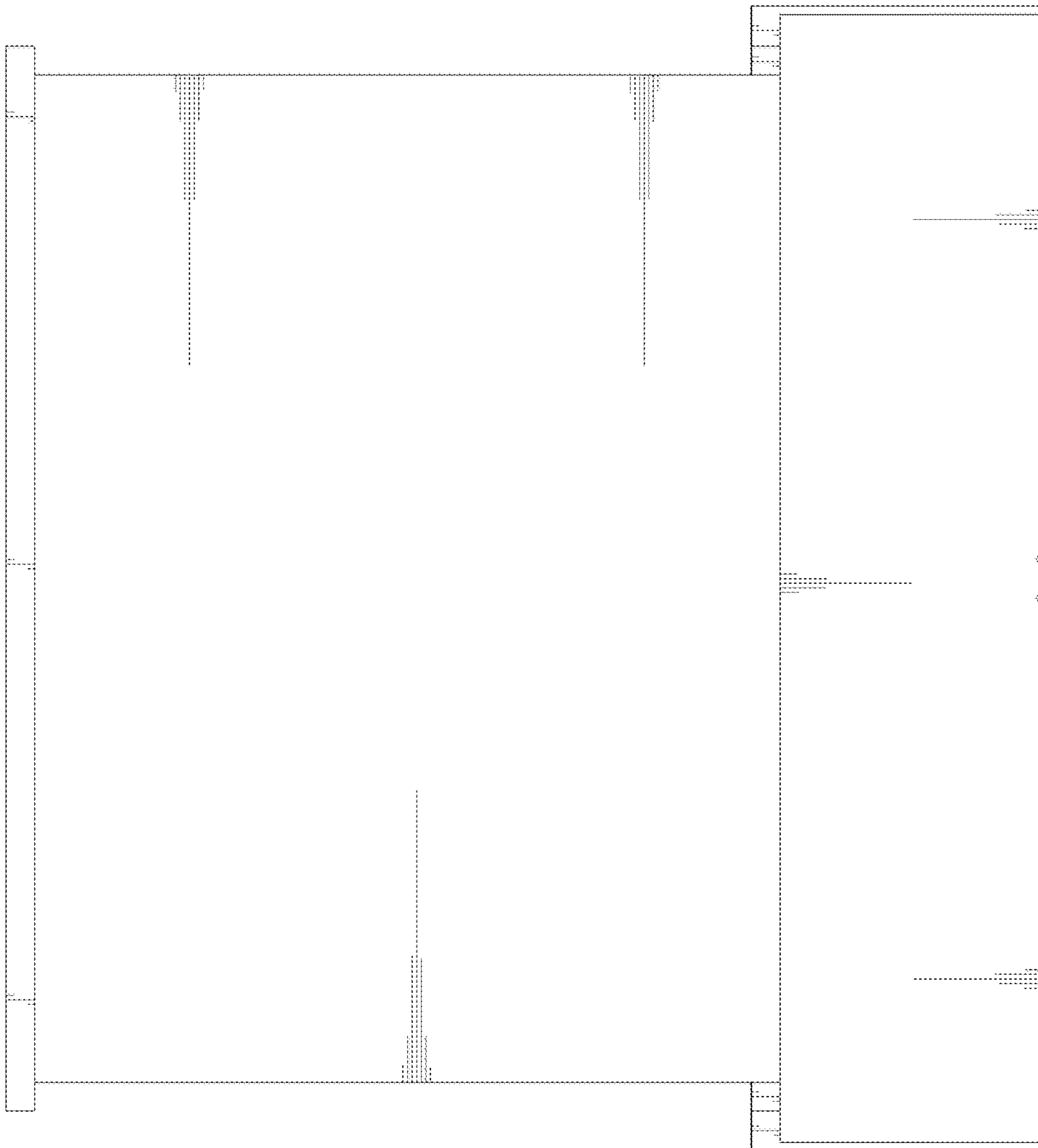


FIG. 4

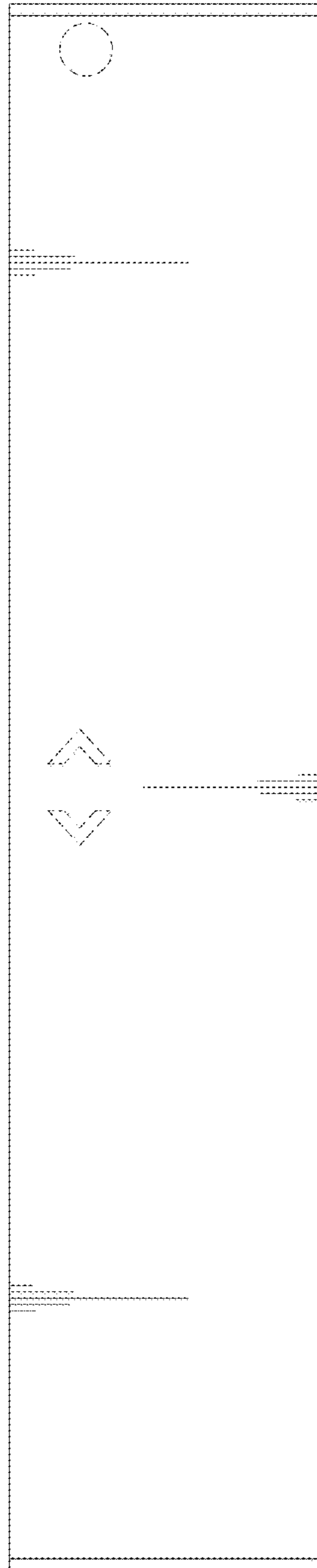


FIG. 5

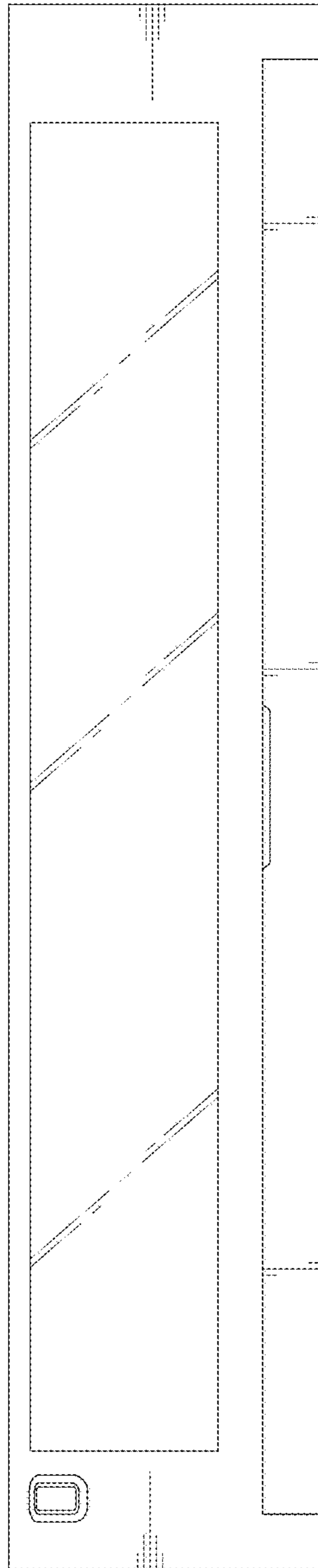


FIG. 6



FIG. 7

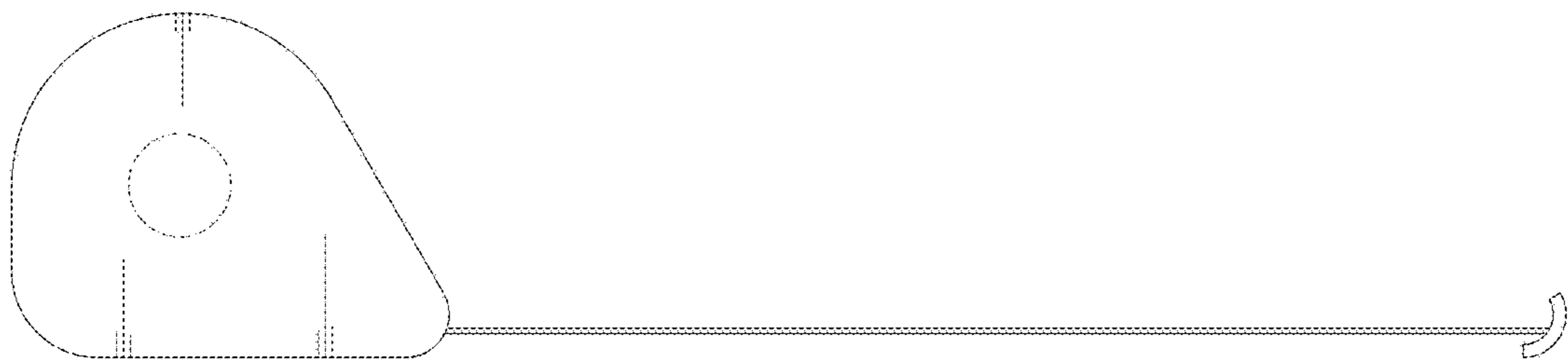


FIG. 8

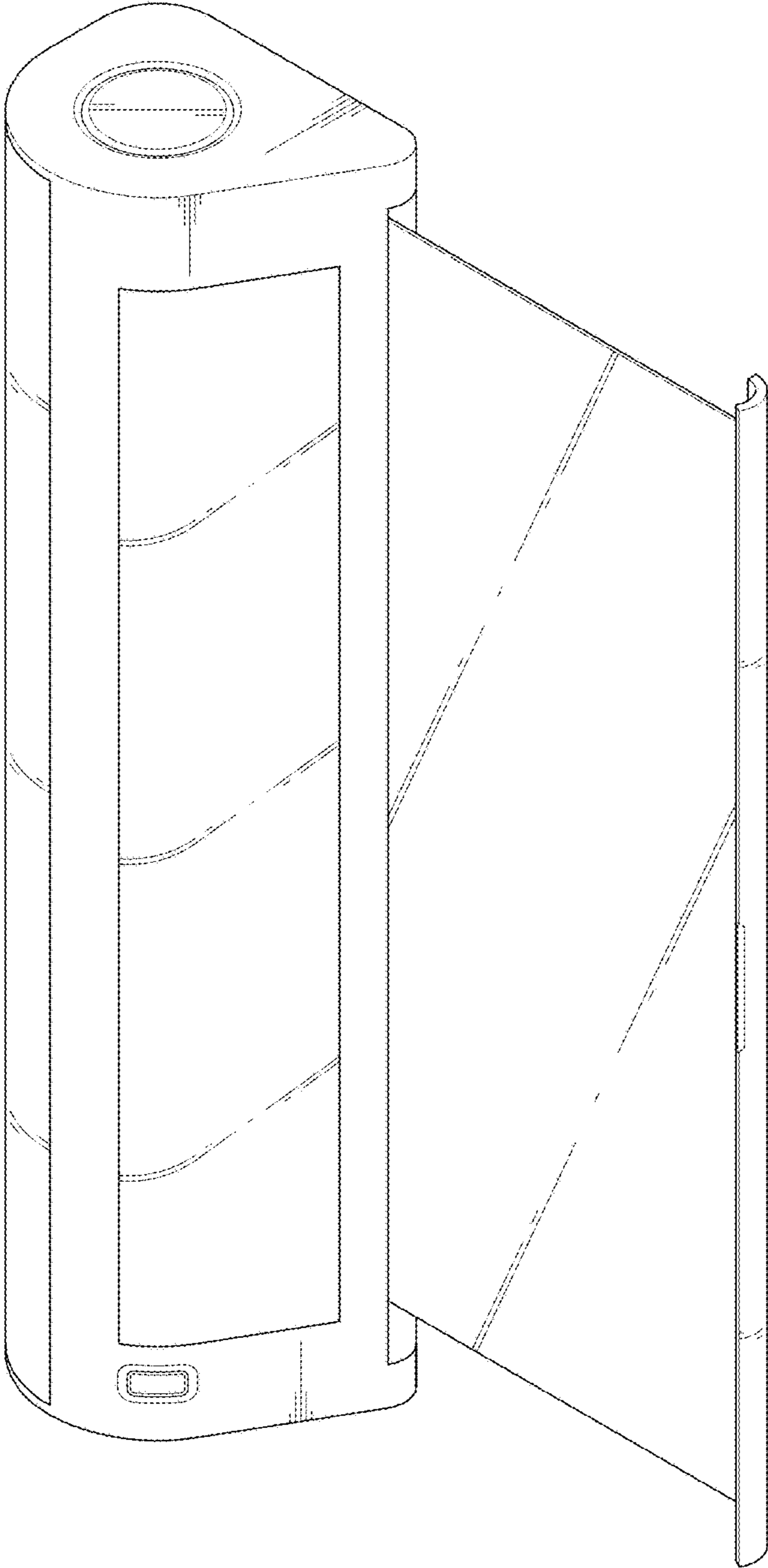


FIG. 9

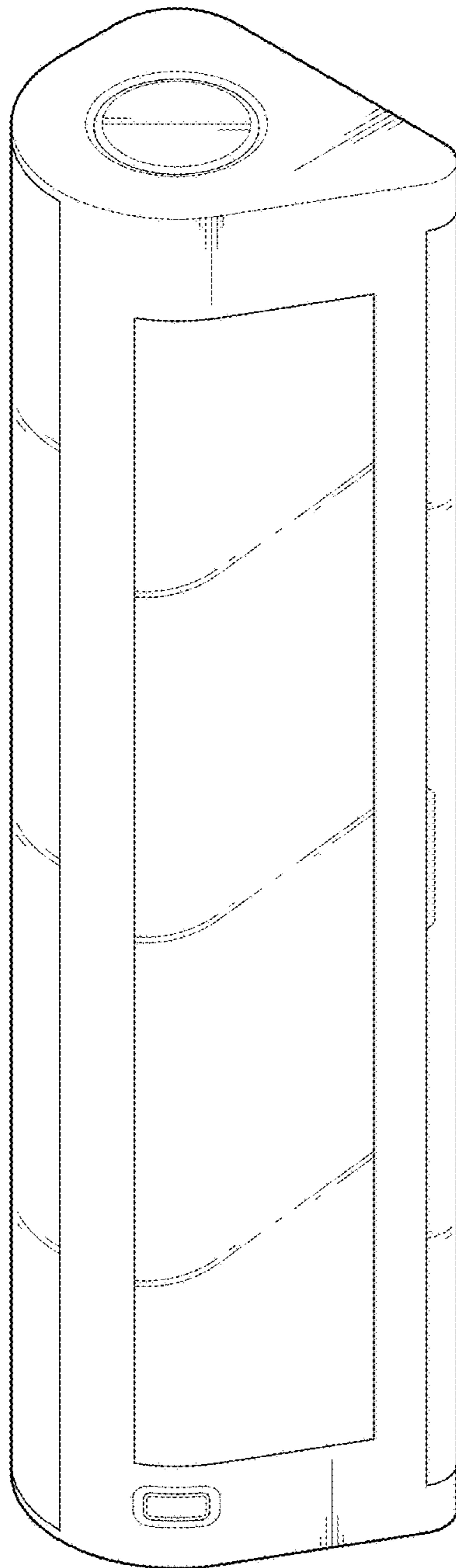


FIG. 10

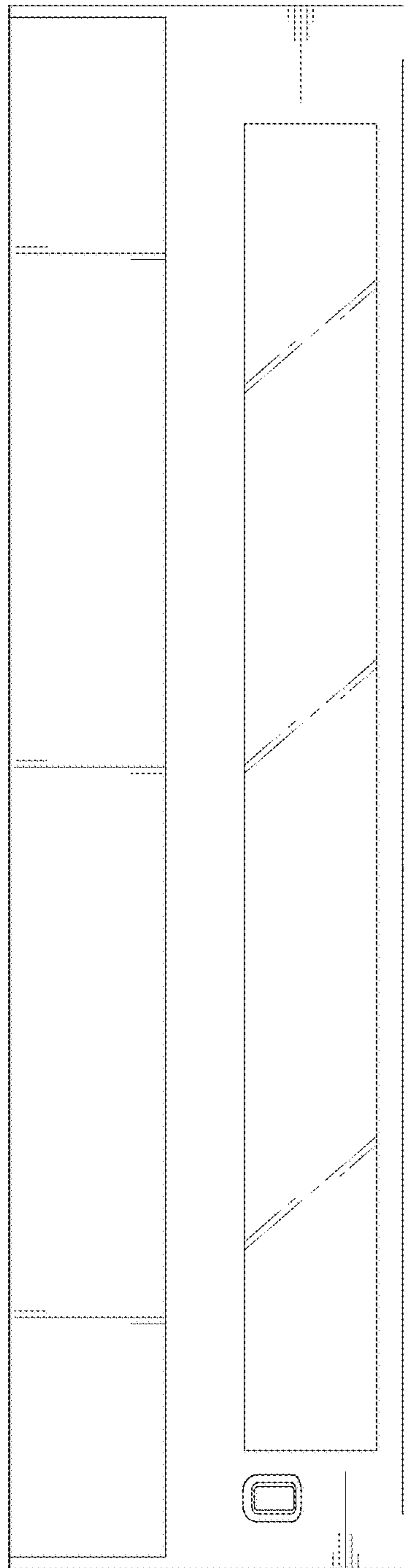


FIG. 11

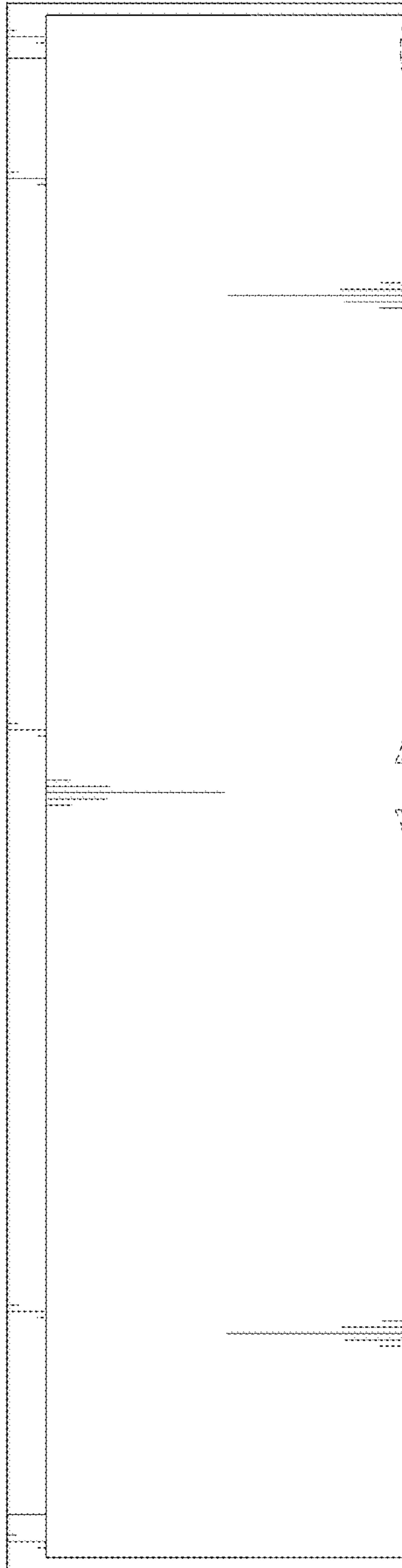


FIG. 12

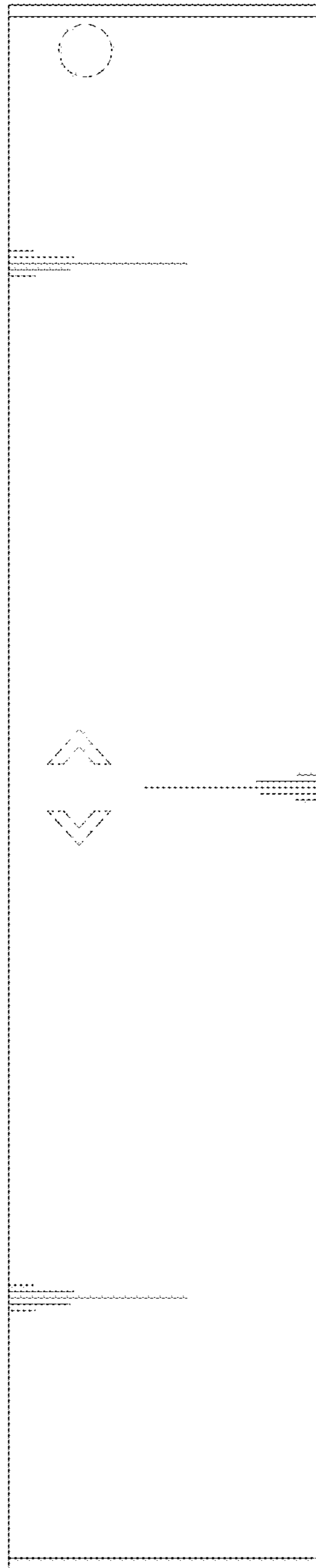


FIG. 13

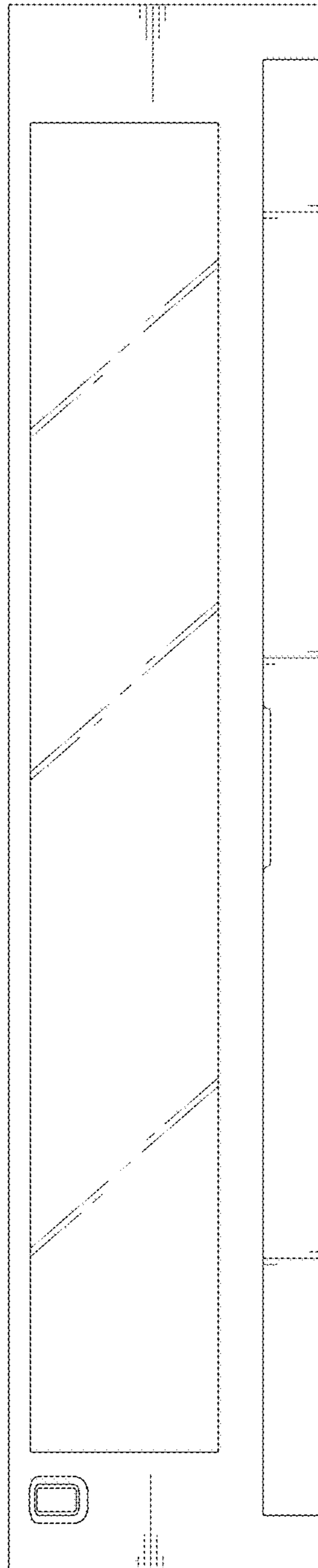


FIG. 14

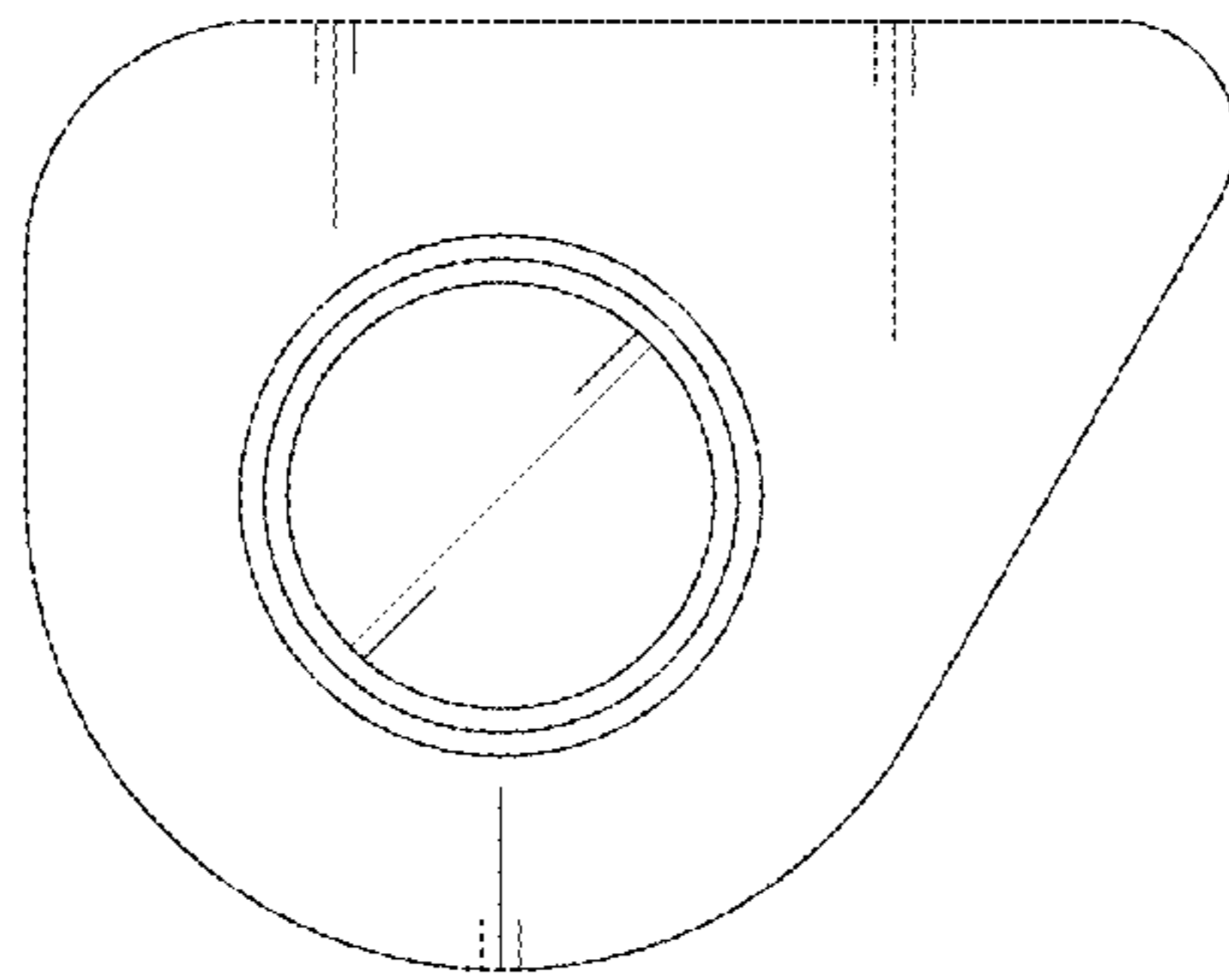


FIG. 15

