



US00D828316S

(12) **United States Design Patent** (10) **Patent No.:** **US D828,316 S**  
**Song et al.** (45) **Date of Patent:** **\*\* Sep. 11, 2018**

(54) **TELEVISION RECEIVER**

(56) **References Cited**

(71) Applicant: **LG DISPLAY CO., LTD.**, Seoul (KR)

U.S. PATENT DOCUMENTS

(72) Inventors: **Hyun Jin Song**, Jeonju-si (KR); **Ji Woon Min**, Paju-si (KR); **Young Nam Lee**, Incheon (KR); **Jin Ho Choi**, Paju-si (KR); **Il Yong Kim**, Daejeon (KR); **Jang Hyun Cho**, Seoul (KR)

D512,387 S *	12/2005	Kita	.....	D14/126
D536,962 S *	2/2007	Tanner	.....	D9/422
D554,085 S *	10/2007	Kita	.....	D14/126
D564,987 S *	3/2008	Shimizu	.....	D14/126
D587,675 S *	3/2009	Xie	.....	D14/168
D642,156 S *	7/2011	Joseph	.....	D14/209.1
D650,765 S *	12/2011	Ho	.....	D14/126
D680,506 S *	4/2013	Lim	.....	D14/126
D682,228 S *	5/2013	Lee	.....	D14/126
D683,718 S *	6/2013	Brunner	.....	D14/209.1
D709,842 S *	7/2014	Lee	.....	D14/126
D738,338 S *	9/2015	Lee	.....	D14/126

(73) Assignee: **LG DISPLAY CO., LTD.**, Seoul (KR)

(\*\*) Term: **15 Years**

(21) Appl. No.: **35/502,367**

(22) Filed: **Aug. 2, 2016**

(80) **Hague Agreement Data**

Int. Filing Date: **Aug. 2, 2016**  
Int. Reg. No.: **DM/092069**  
Int. Reg. Date: **Aug. 2, 2016**  
Int. Reg. Pub. Date: **Feb. 3, 2017**

*Primary Examiner* — Barbara Fox  
*Assistant Examiner* — Dana K Weiland  
(74) *Attorney, Agent, or Firm* — Birch, Stewart, Kolasch & Birch, LLP

(30) **Foreign Application Priority Data**

Feb. 5, 2016 (KR) ..... 30-2016-0006011

(51) **LOC (11) Cl.** ..... **14-03**

(52) **U.S. Cl.**  
USPC ..... **D14/126**

(58) **Field of Classification Search**  
USPC .. D14/125, 126, 128, 133, 138 G, 248, 341, D14/203.1, 203.3, 203.7, 239, 250, D14/315-318, 388-389, 336, 371, D14/374-377, 448, 450, 451, 447, 420, D14/426-430, 453, 412, 498, 507; D21/325, 329, 515; D20/10, 19, 39; D10/50  
CPC . H04N 5/64; H04N 5/915; H04N 9/11; G09G 3/3648; G06F 3/016; G06F 3/0488; F16M 11/10; A47B 97/08

See application file for complete search history.

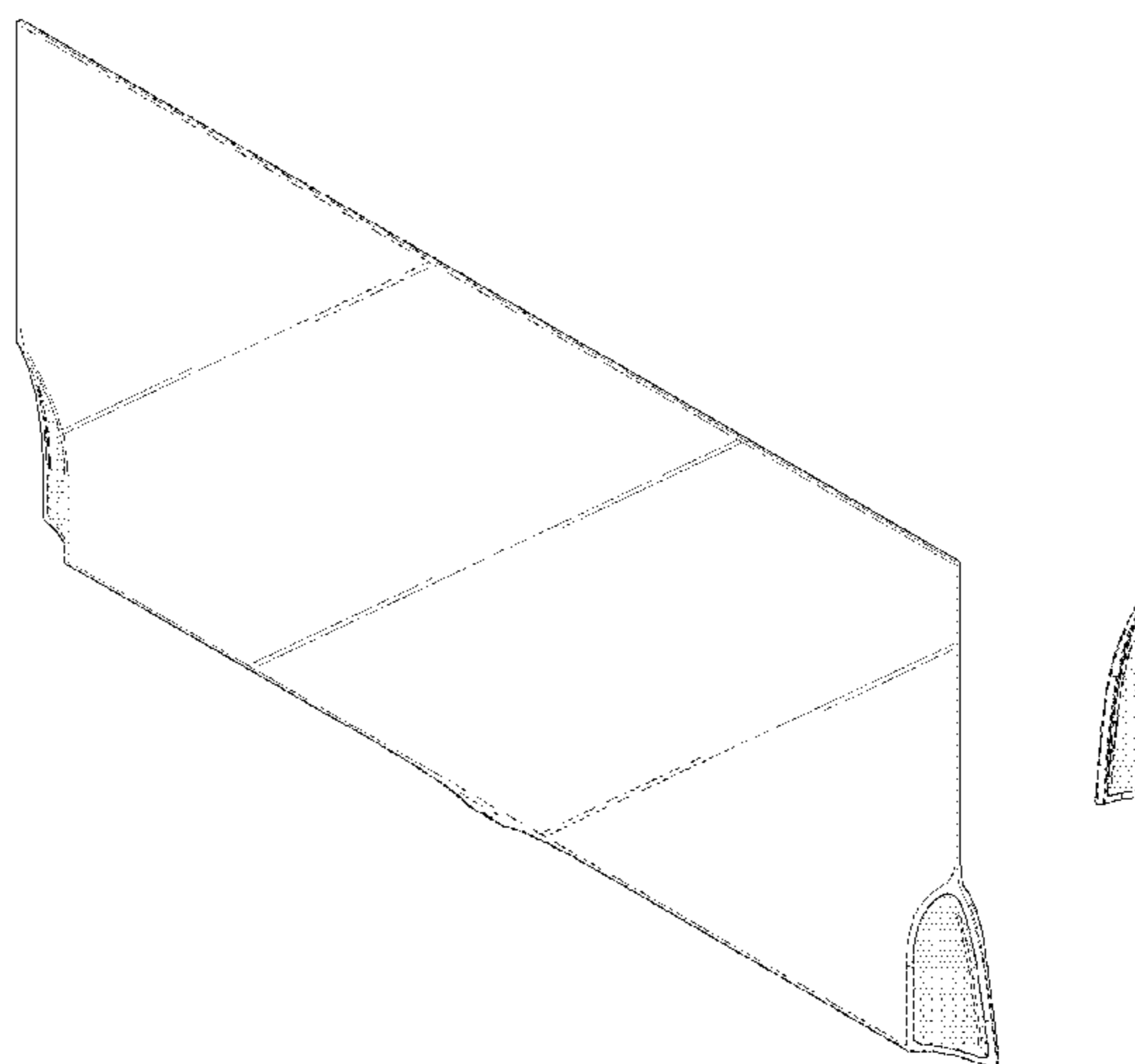
(57) **CLAIM**

The ornamental design for a television receiver, as shown and described.

**DESCRIPTION**

1. Television receiver  
1.1 is a perspective view of the television receiver showing the new design;  
1.2 is the front view thereof;  
1.3 is the back view thereof;  
1.4 is the left side view thereof, where the right side view is a mirror image;  
1.5 is the top view thereof;  
1.6 is the bottom view thereof; and  
1.7 is another front view showing the television receiver in use.  
The broken lines shown in the figures depict portions of the television receiver that form no part of the claimed design.

**1 Claim, 4 Drawing Sheets**



(56)

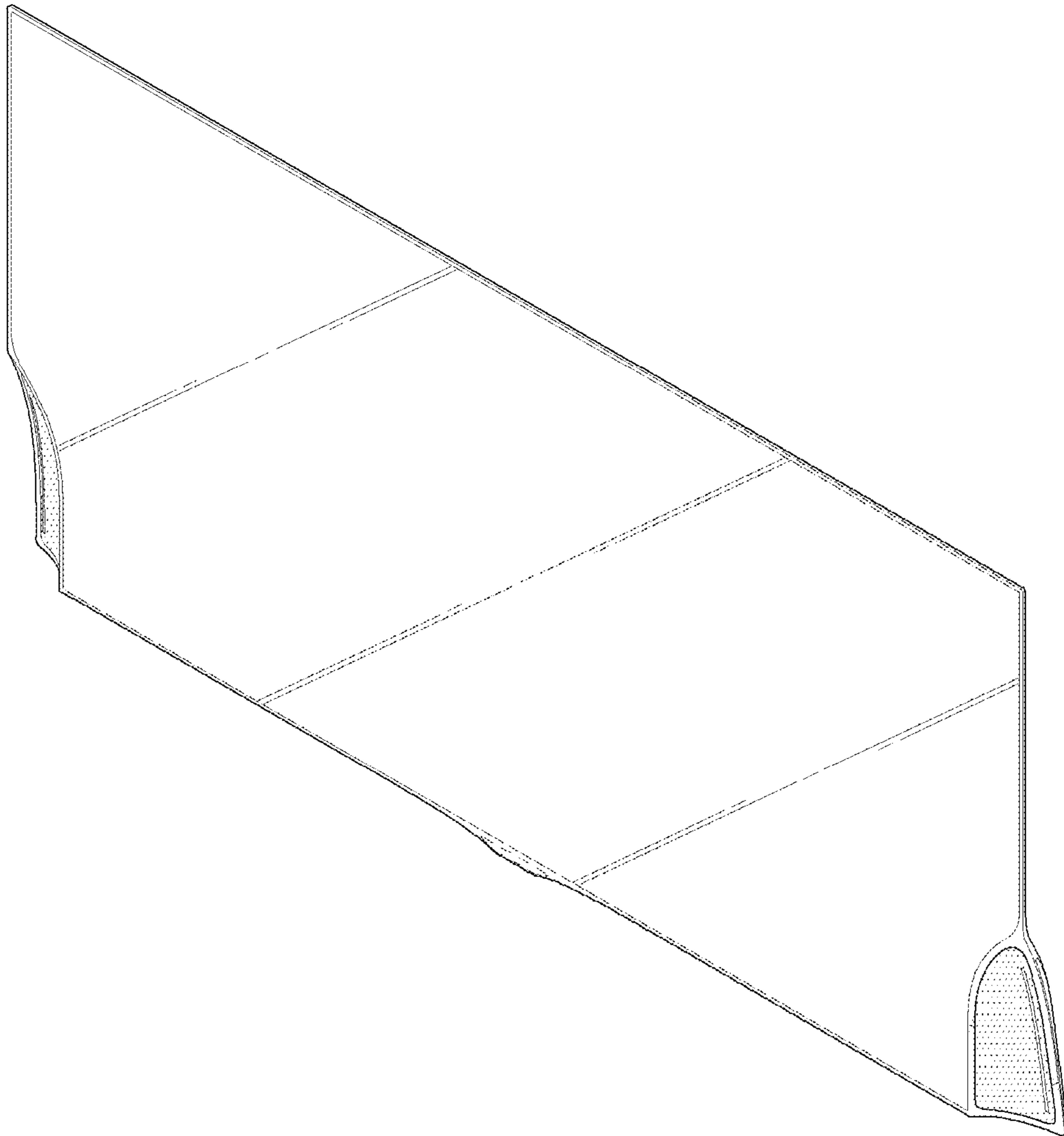
**References Cited**

U.S. PATENT DOCUMENTS

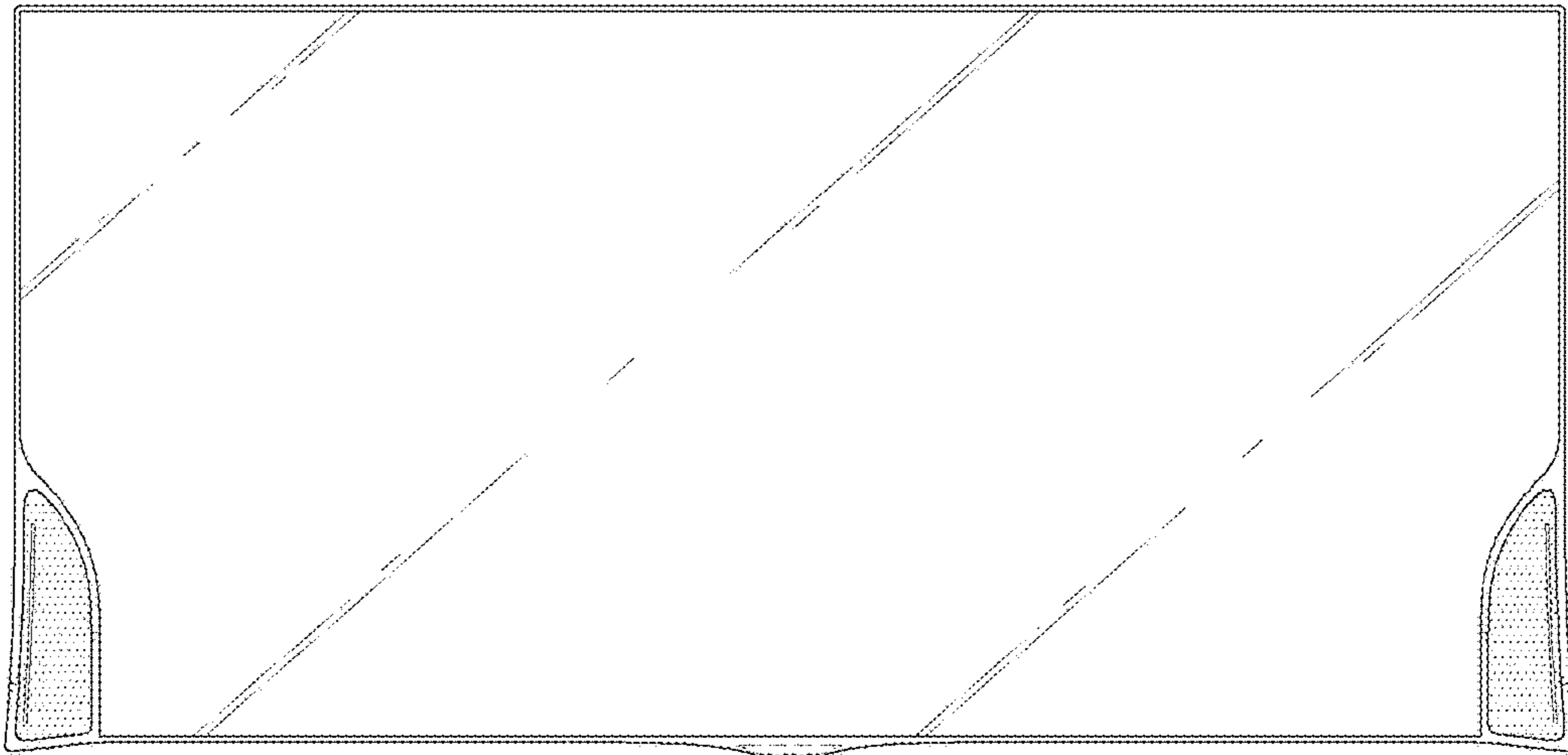
D743,360 S \* 11/2015 Kim ..... D14/126  
D783,554 S \* 4/2017 Kim ..... D14/126

\* cited by examiner

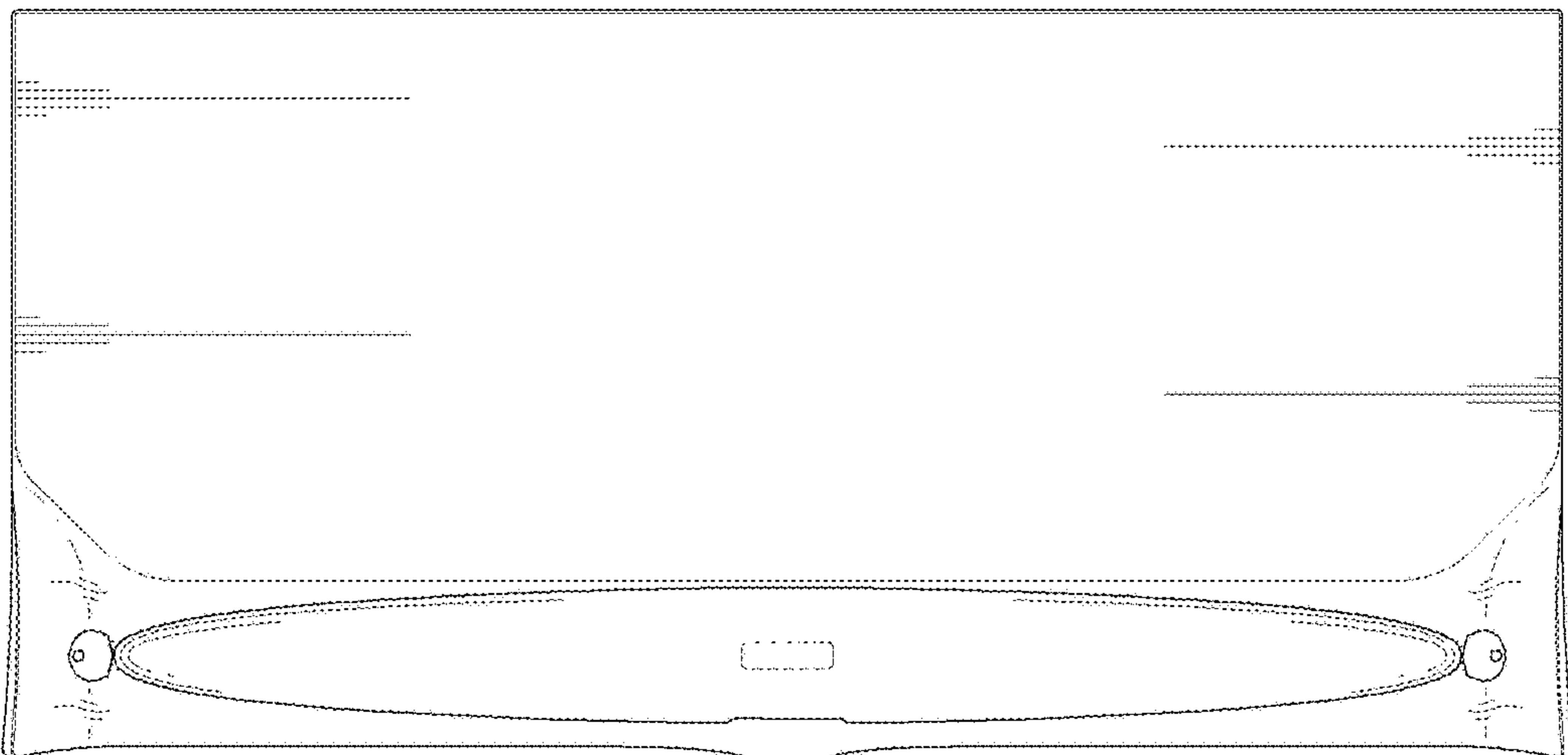
1.1



1.2



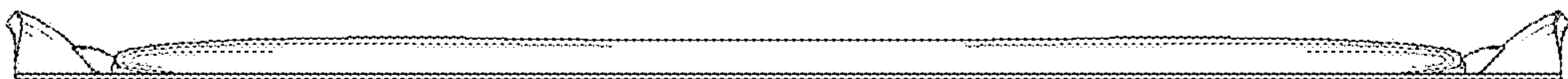
1.3



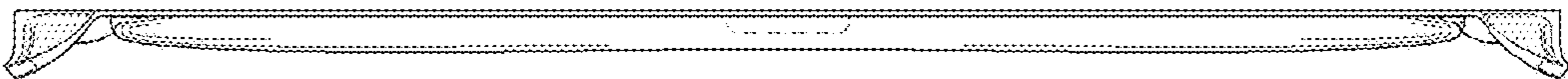
1.4



1.5



1.6



1.7

