



US00D828313S

(12) **United States Design Patent** (10) **Patent No.:** **US D828,313 S**
Lee et al. (45) **Date of Patent:** **** Sep. 11, 2018**

(54) **TELEVISION RECEIVER**

(57) **CLAIM**

The ornamental design for a television receiver, as shown and described.

(71) Applicant: **Samsung Electronics Co., Ltd.**,
Suwon-si (KR)

DESCRIPTION

(72) Inventors: **Seungho Lee**, Guri-si (KR); **Jaewook Yoo**, Seoul (KR); **Jaeneung Lee**, Ansan-si (KR)

FIG. 1 is a front perspective view of a television receiver showing our new design;
FIG. 2 is a front view thereof;
FIG. 3 is a rear view thereof;
FIG. 4 is a left side view thereof;
FIG. 5 is a right side view thereof;
FIG. 6 is a top view thereof;
FIG. 7 is a bottom view thereof;

(73) Assignee: **SAMSUNG ELECTRONICS CO., LTD.**, Gyeonggi-Do (KR)

FIG. 8 is a rear perspective view thereof;
FIG. 9 is another front perspective view thereof;
FIG. 10 is an enlarged view of the portion 10 shown in FIG. 1;

(**) Term: **15 Years**

(21) Appl. No.: **29/595,247**

FIG. 11 is an enlarged view of the portion 11 shown in FIG. 2;

(22) Filed: **Feb. 27, 2017**

FIG. 12 is an enlarged view of the portion 12 shown in FIG. 3;

(30) **Foreign Application Priority Data**

Sep. 1, 2016 (KR) 30-2016-0043073

FIG. 13 is an enlarged view of the portion 13 shown in FIG. 5;

(51) **LOC (11) Cl.** **14-03**

FIG. 14 is an enlarged view of the portion 14 shown in FIG. 6;

(52) **U.S. Cl.**

USPC **D14/126**

FIG. 15 is an enlarged view of the portion 15 shown in FIG. 8;

(58) **Field of Classification Search**

USPC D14/125-134, 239, 371, 136, 374-377, D14/440, 450, 448, 336, 342, 159;
(Continued)

FIG. 16 is an enlarged view of the portion 16 shown in FIG. 9; and,

(56) **References Cited**

U.S. PATENT DOCUMENTS

D725,062 S * 3/2015 Cho D14/126

D725,616 S * 3/2015 Oh D14/126

(Continued)

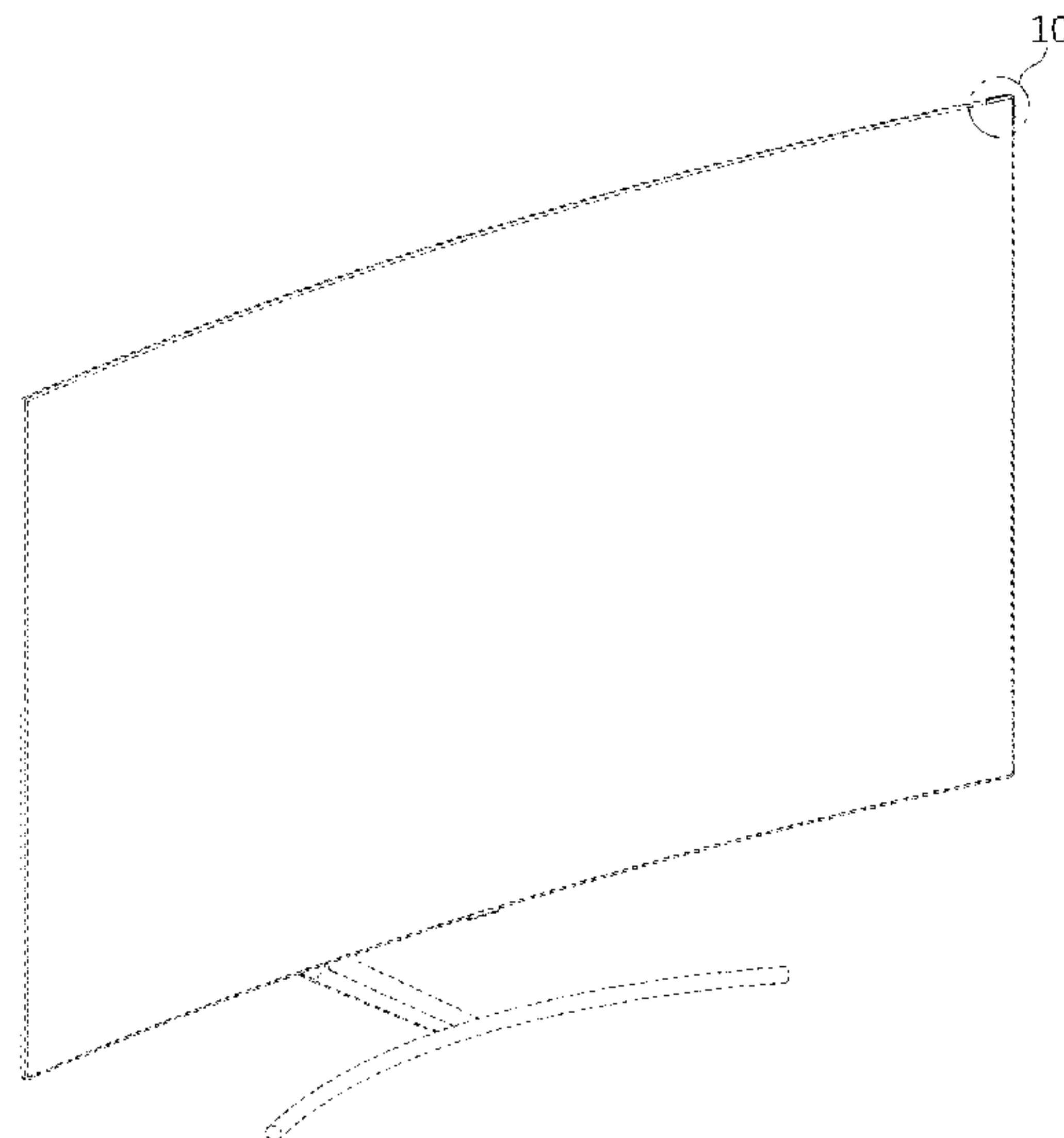
FIG. 17 is an enlarged cross-sectional view of the portion 17 of FIG. 4, taken from line 17-17 of FIG. 2.

The short dash-dash broken lines illustrating portions of the television receiver form no part of the claimed design. The dot-dash broken lines represent boundaries of the claimed design and form no part of the claimed design. The dot-dot-dash broken lines encircling portions of the claimed design that are illustrated in enlargements form no part of the claimed design. The dot-dot-dash broken lines encircling portions of the claimed design that are illustrated in cross section form no part of the claimed design.

Primary Examiner — Randall H Gholson

(74) *Attorney, Agent, or Firm* — Cantor Colburn LLP

1 Claim, 17 Drawing Sheets



(58) **Field of Classification Search**

USPC 312/7.2; 348/836, 838, 180, 184, 325,
348/739; 248/917-924, 465; 345/104,
345/133, 156, 168, 87, 173; D21/329,
D21/515, 577, 622, 333, 433, 448, 452,
D21/450, 331, 505; D10/15, 26;
446/484, 175, 356; D6/477, 479, 300;
D24/185; D34/14
CPC ... G06F 1/1601; G06F 1/1643; H05K 5/0004;
H05K 5/0017; H05K 5/02; H05K 5/0217
See application file for complete search history.

(56) **References Cited**

U.S. PATENT DOCUMENTS

D728,498 S *	5/2015	Park	D14/126
D728,500 S *	5/2015	Park	D14/126
D742,378 S *	11/2015	Jung	D14/374
D750,093 S *	2/2016	Jung	D14/451
D758,983 S *	6/2016	Kim	D14/126

* cited by examiner

FIG. 1

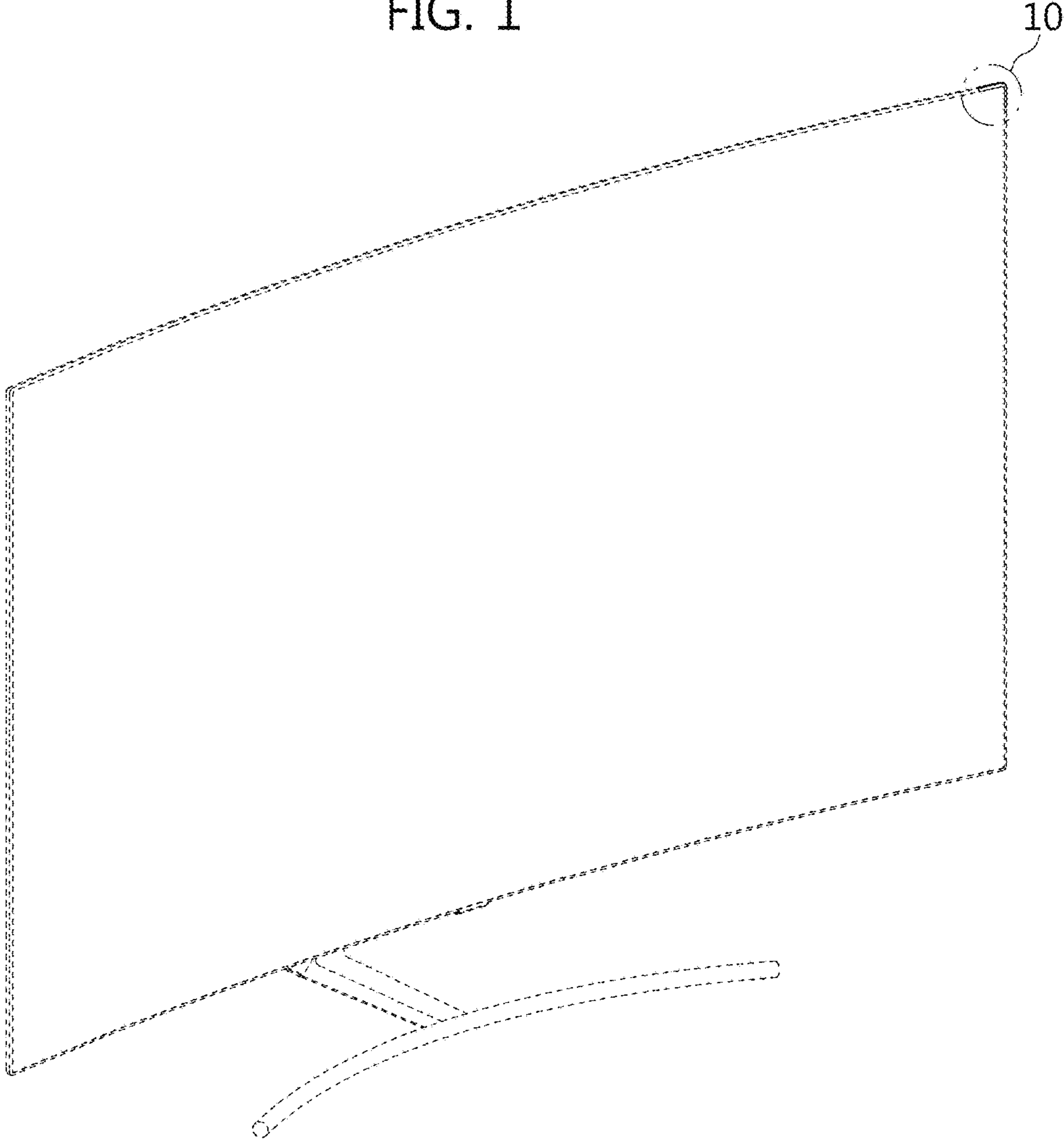


FIG. 2

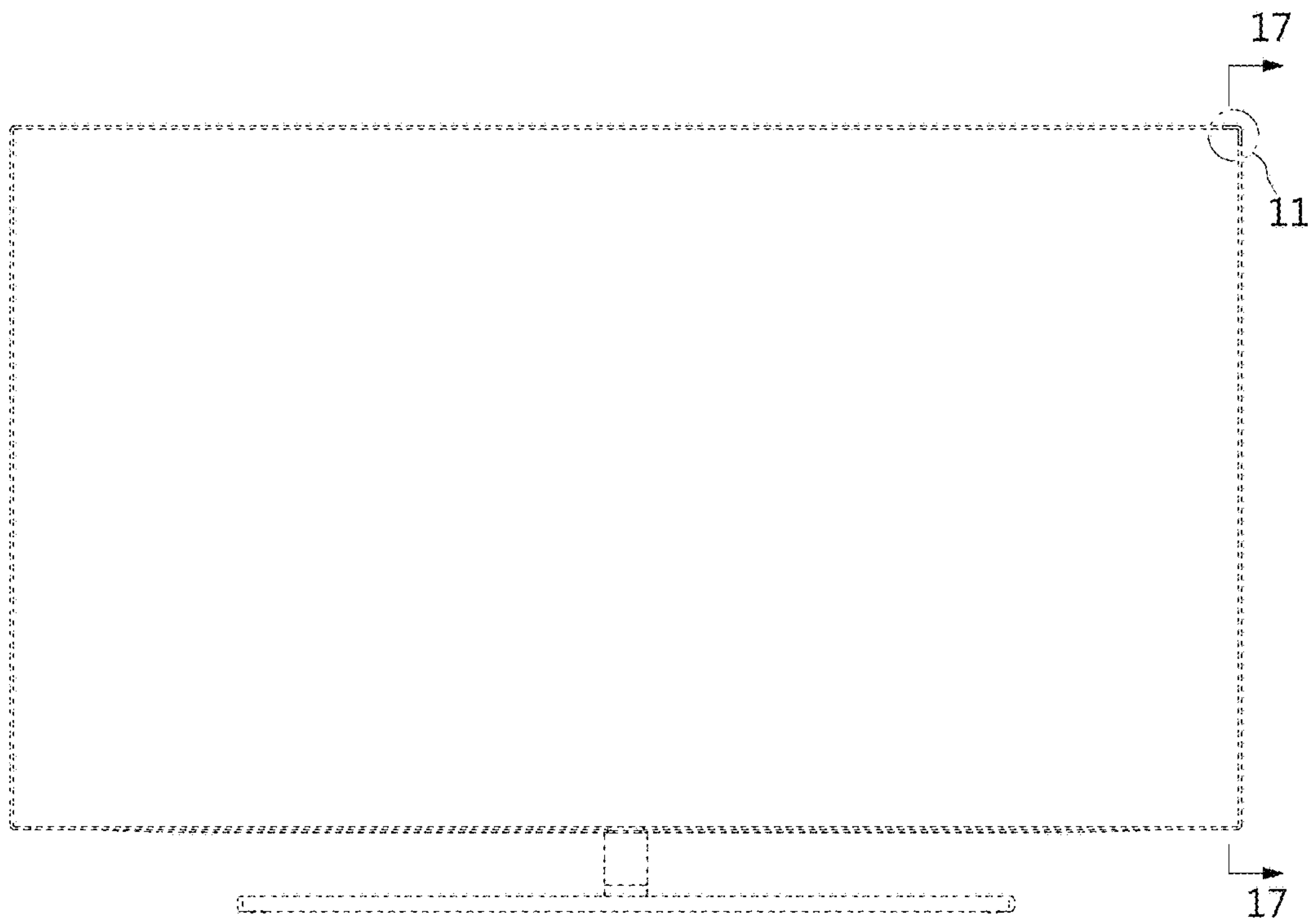


FIG. 3

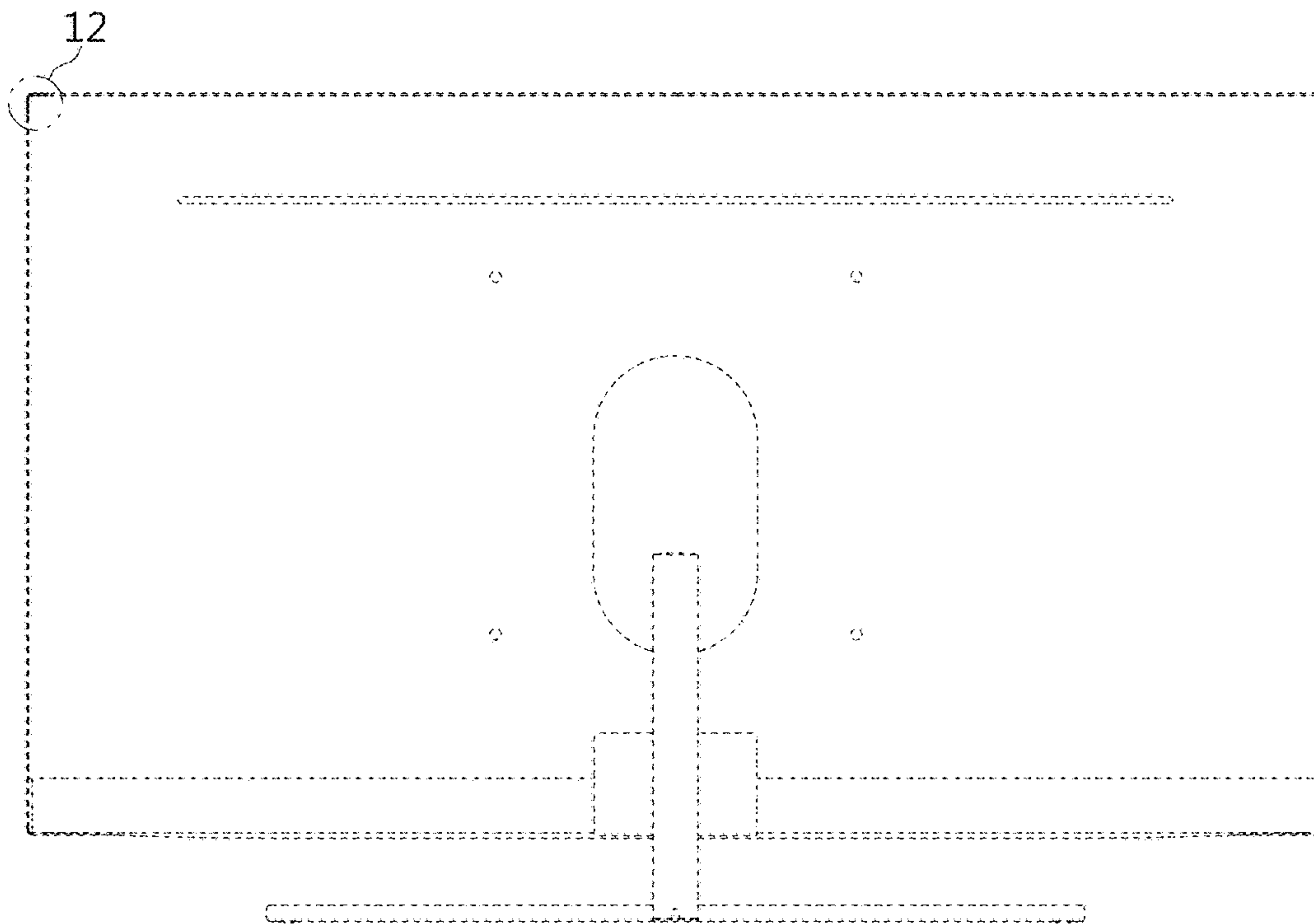


FIG. 4

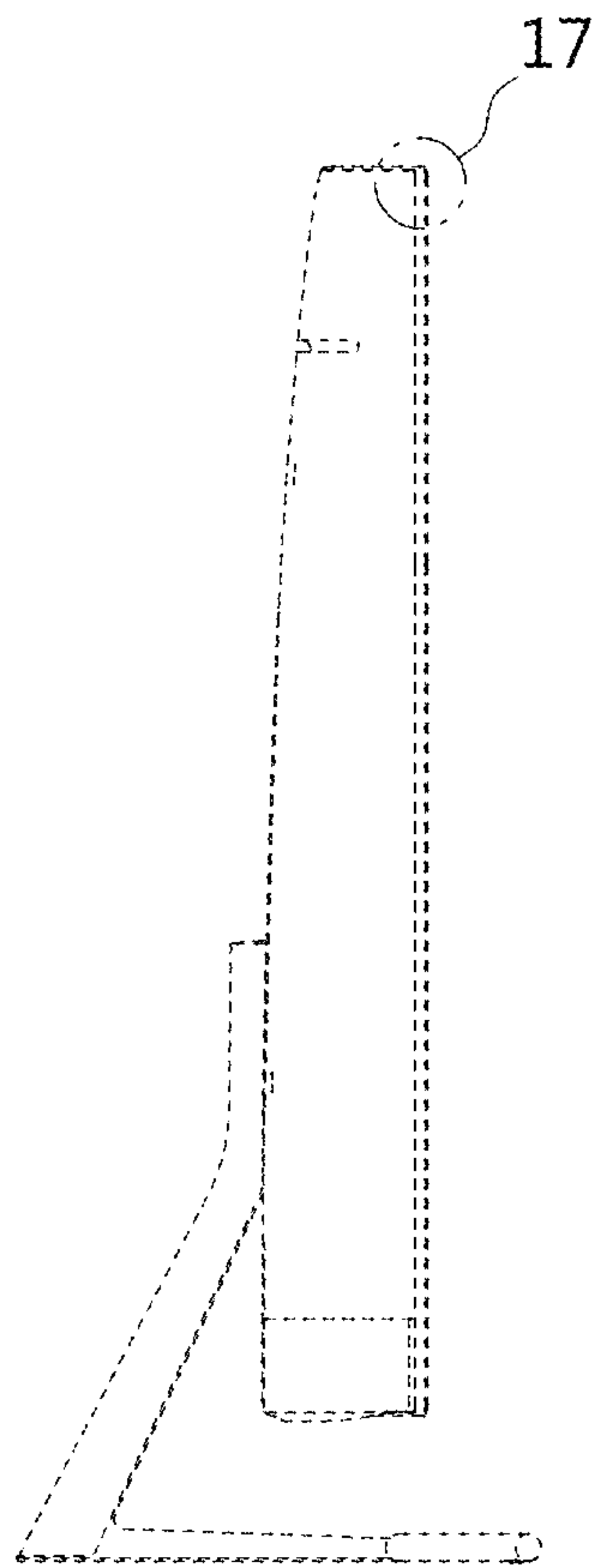


FIG. 5

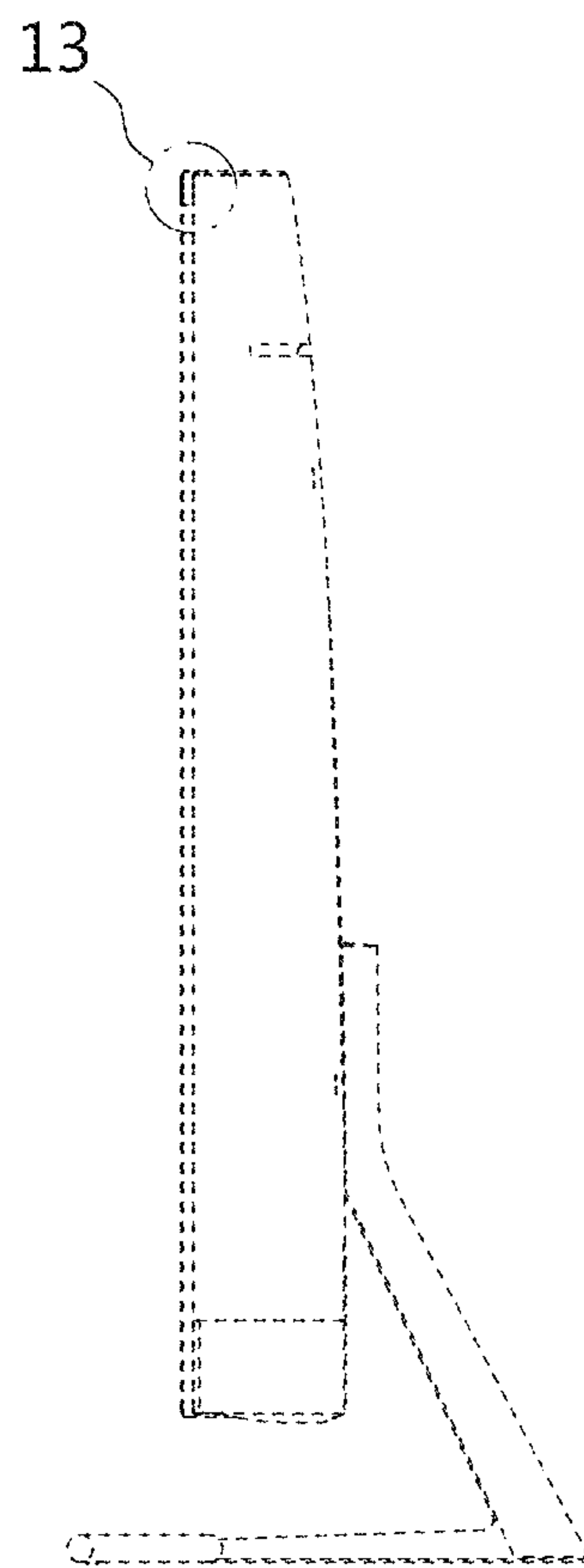


FIG. 6

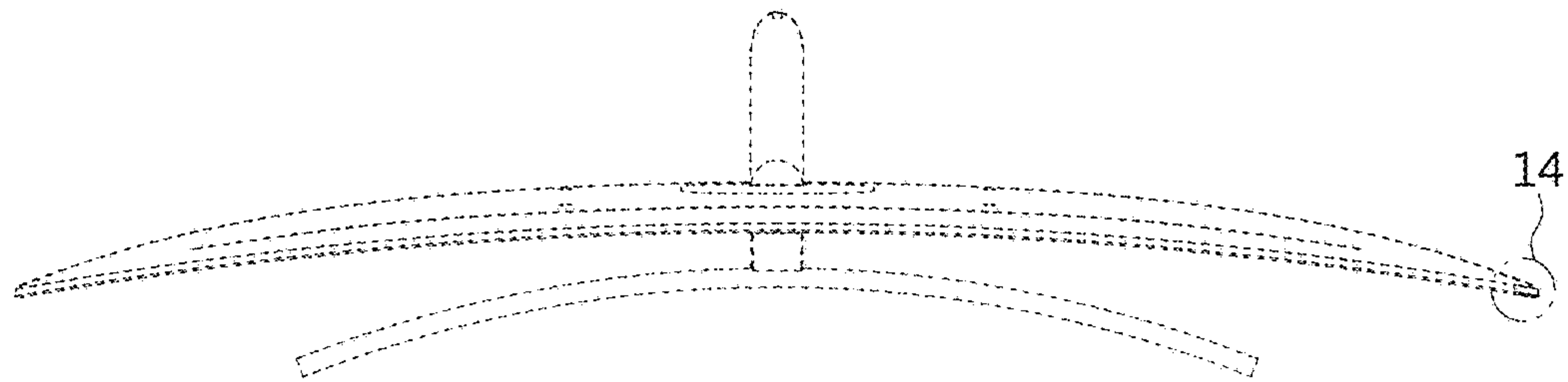
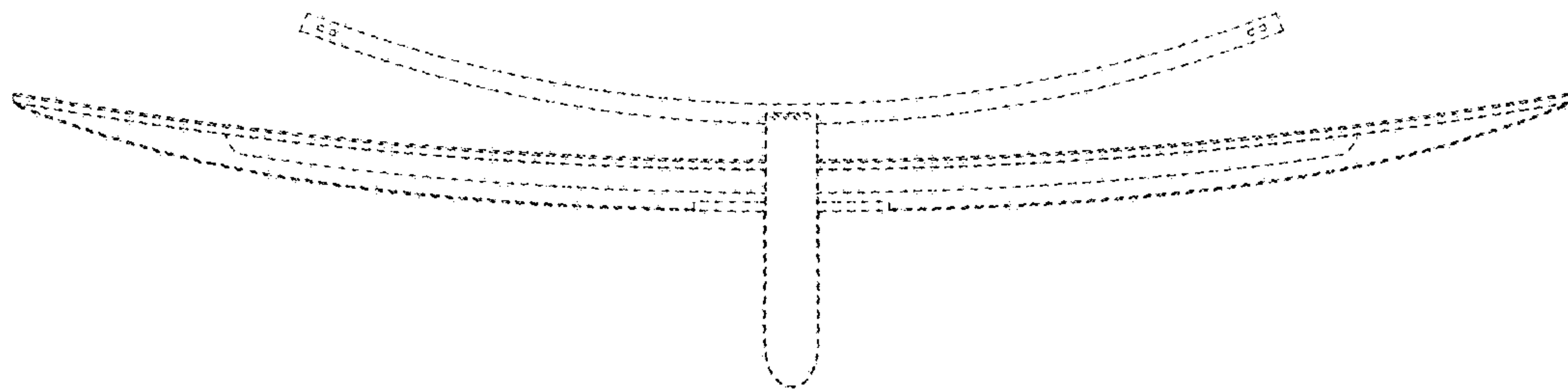


FIG. 7



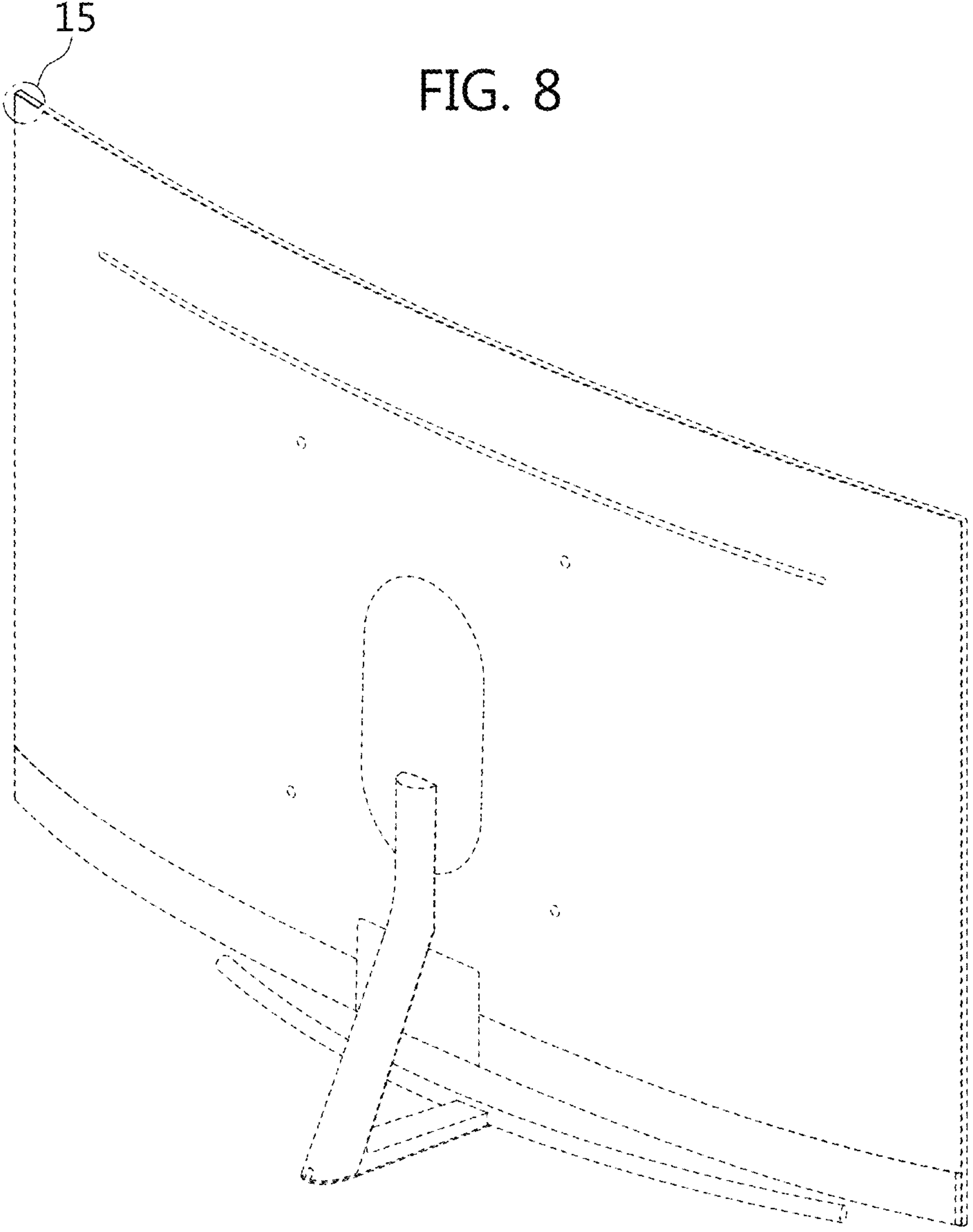


FIG. 9

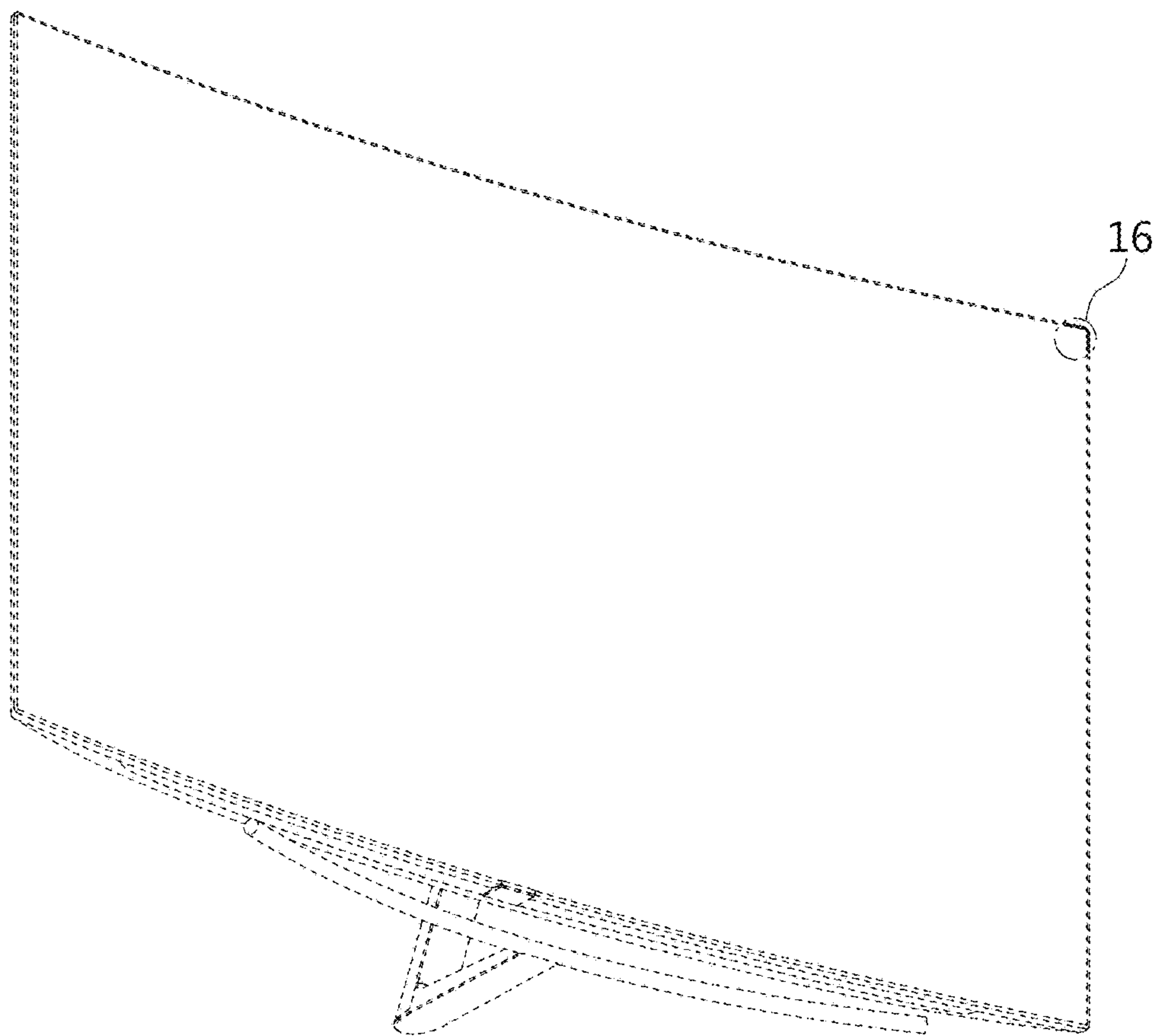


FIG. 10

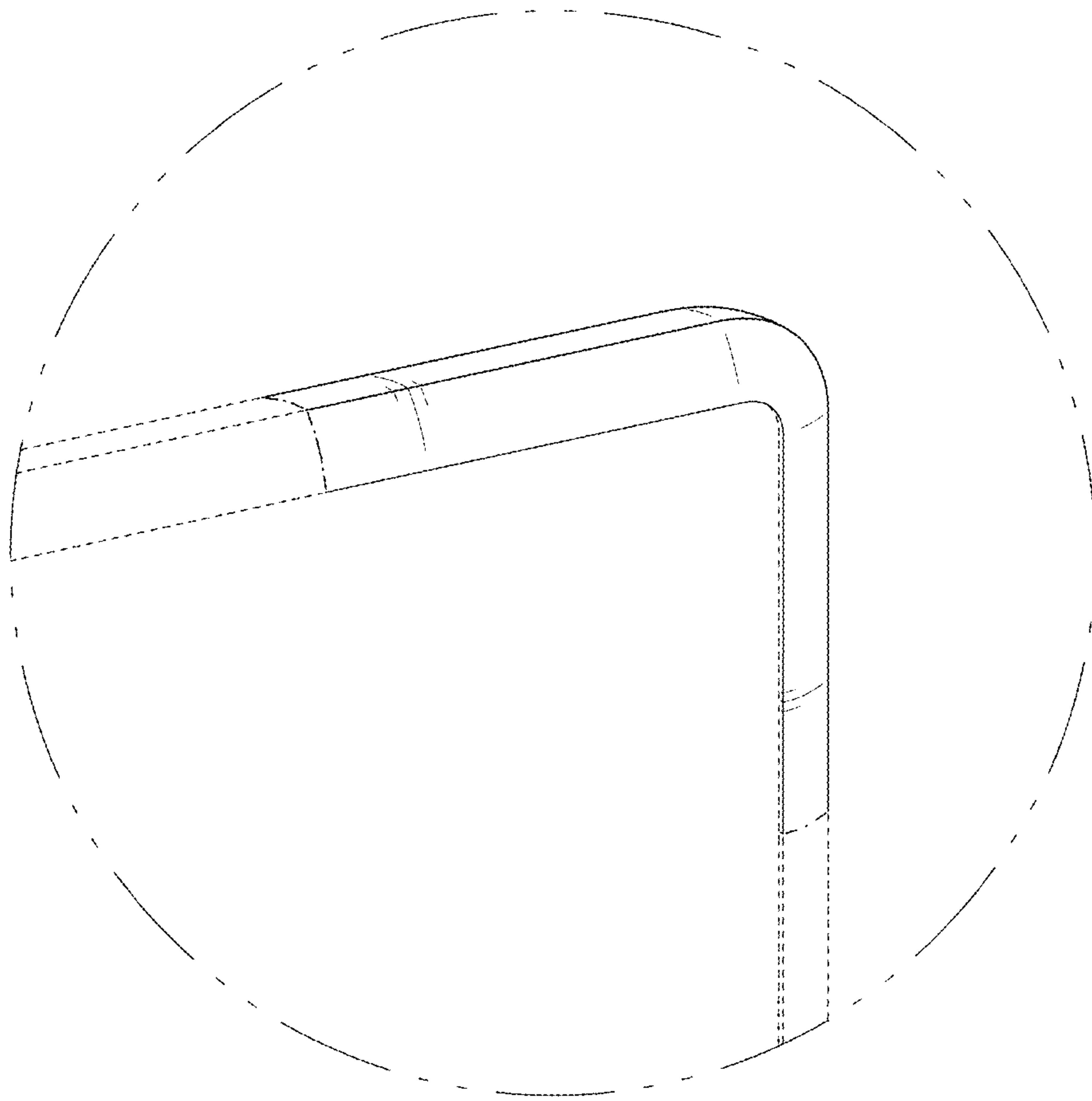


FIG. 11

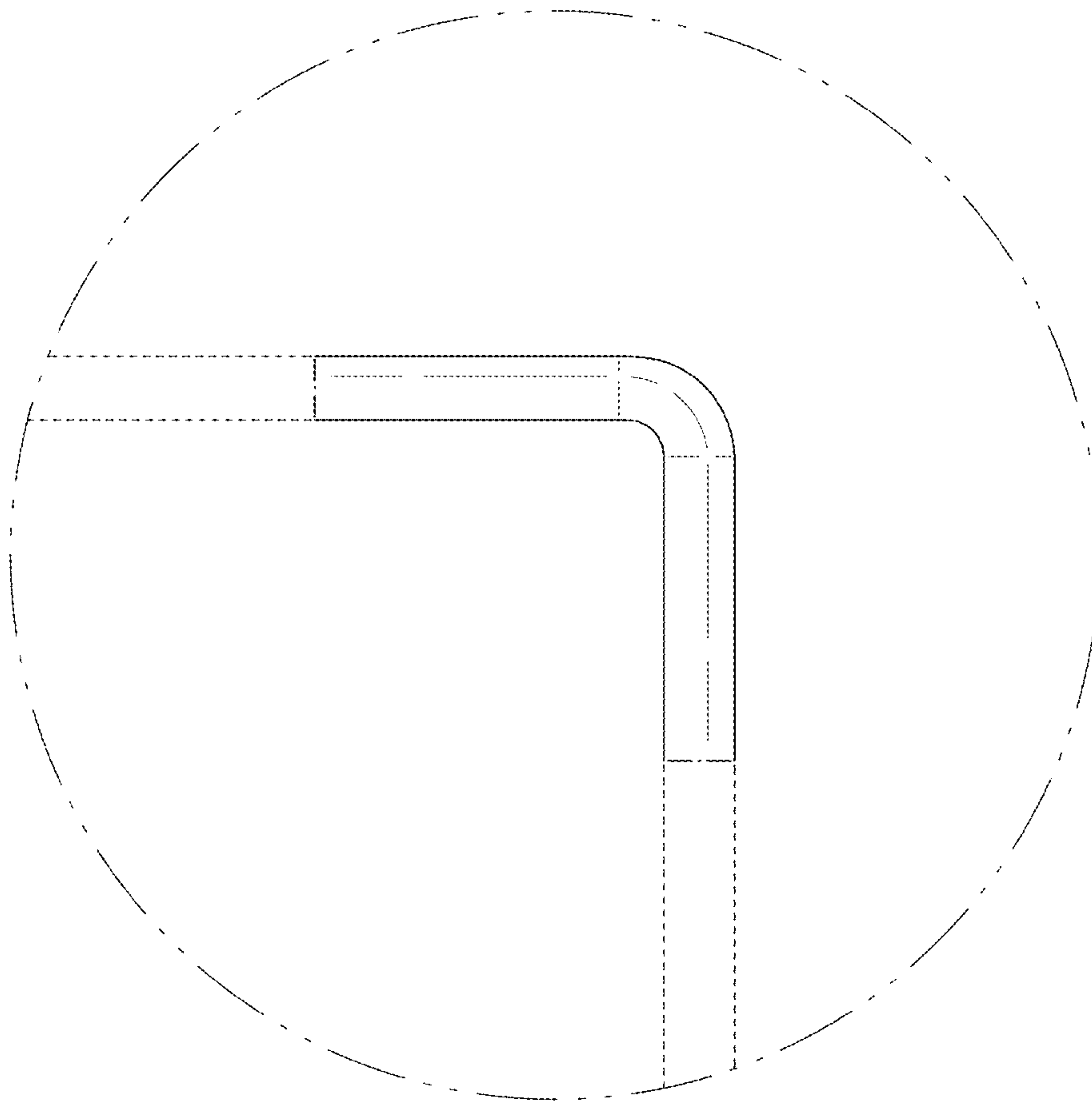


FIG. 12

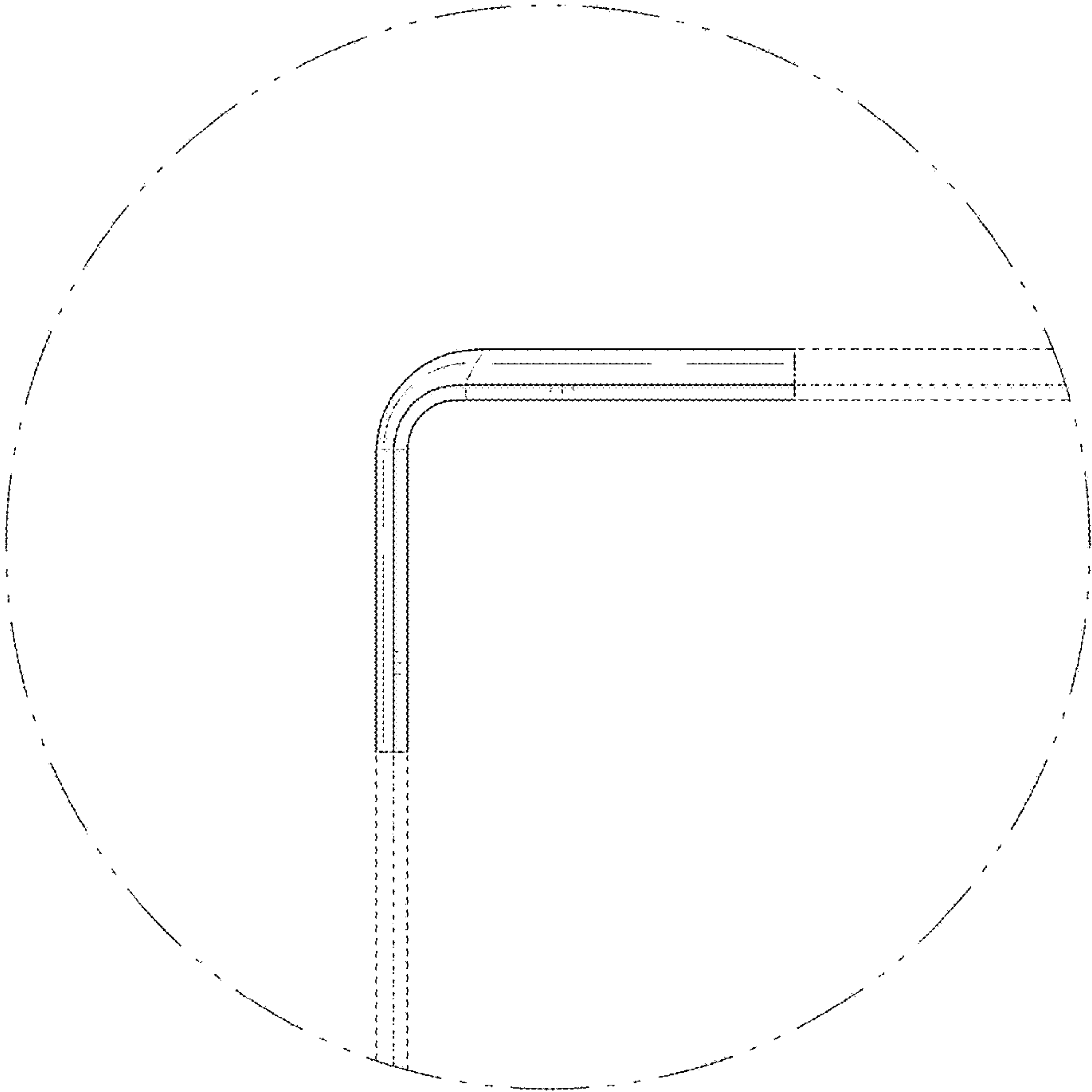


FIG. 13

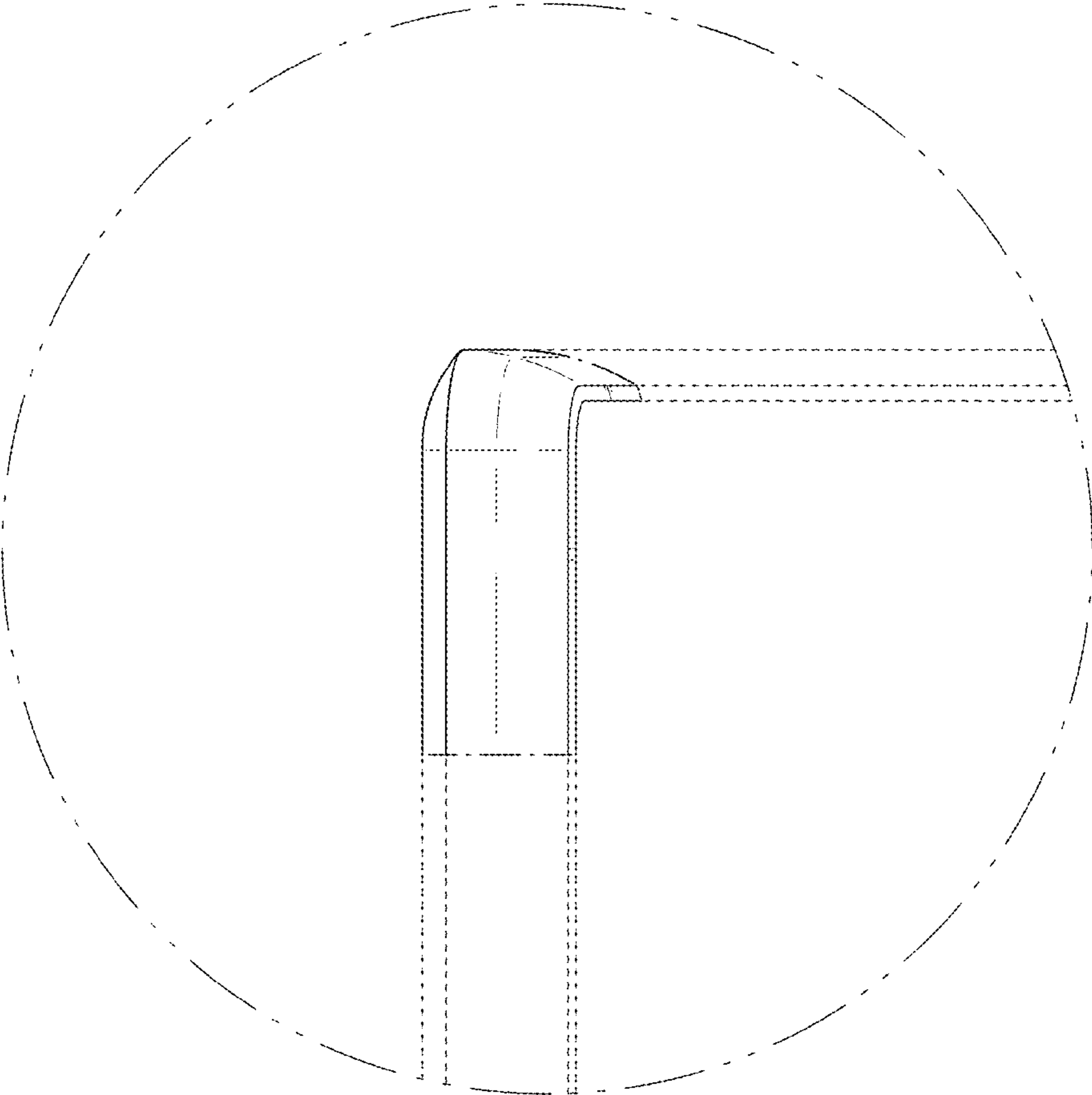


FIG. 14

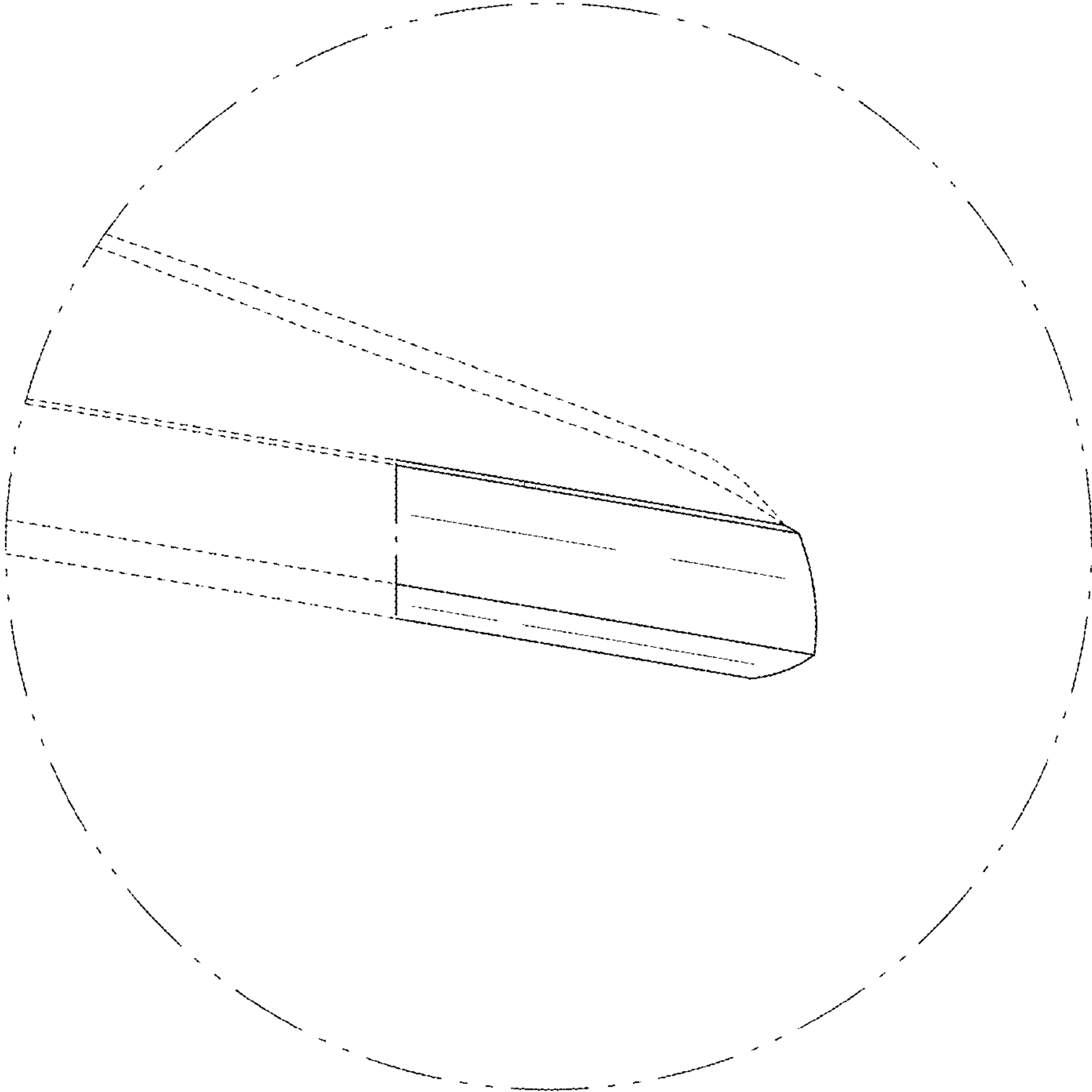


FIG. 15

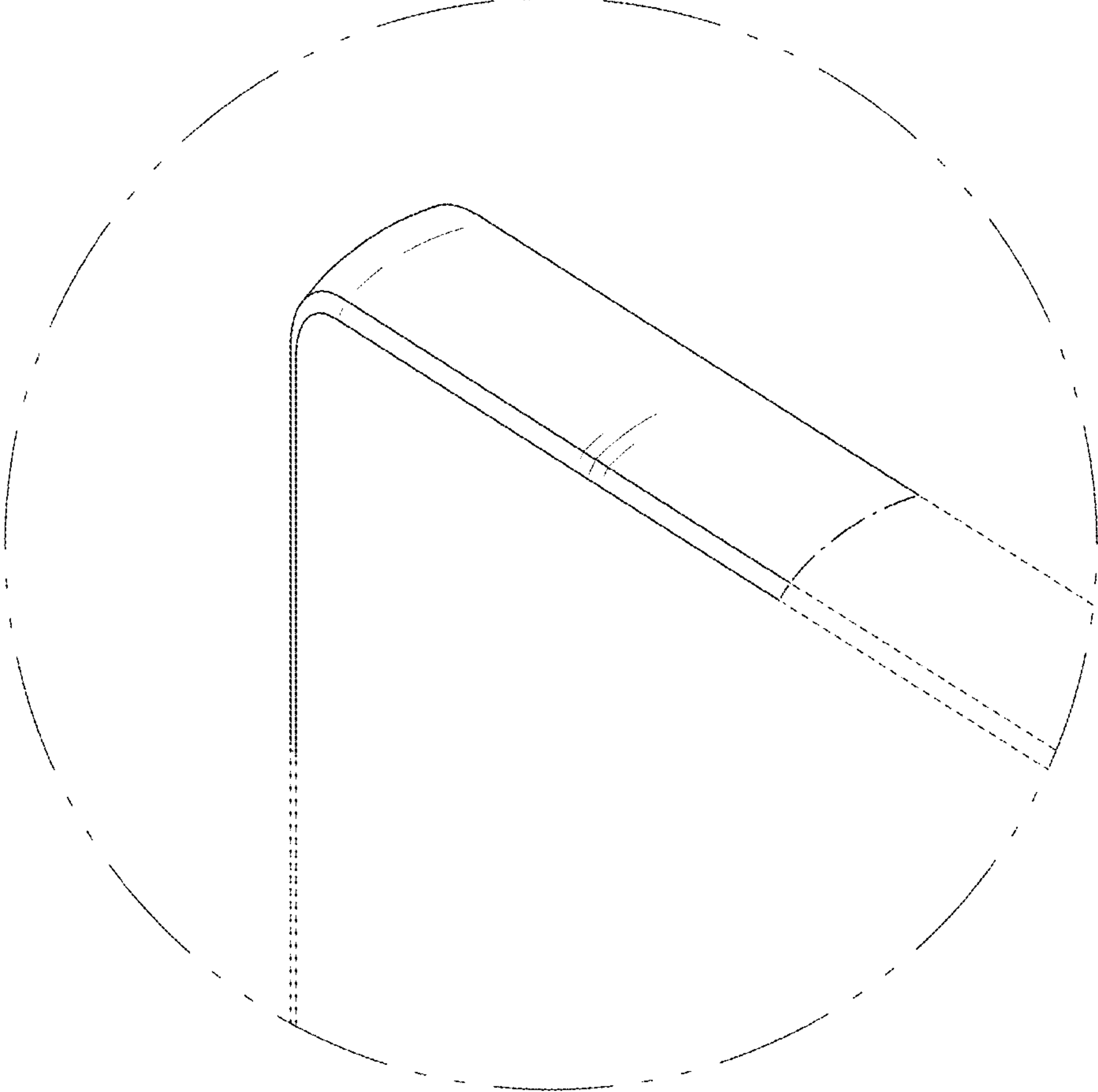


FIG. 16

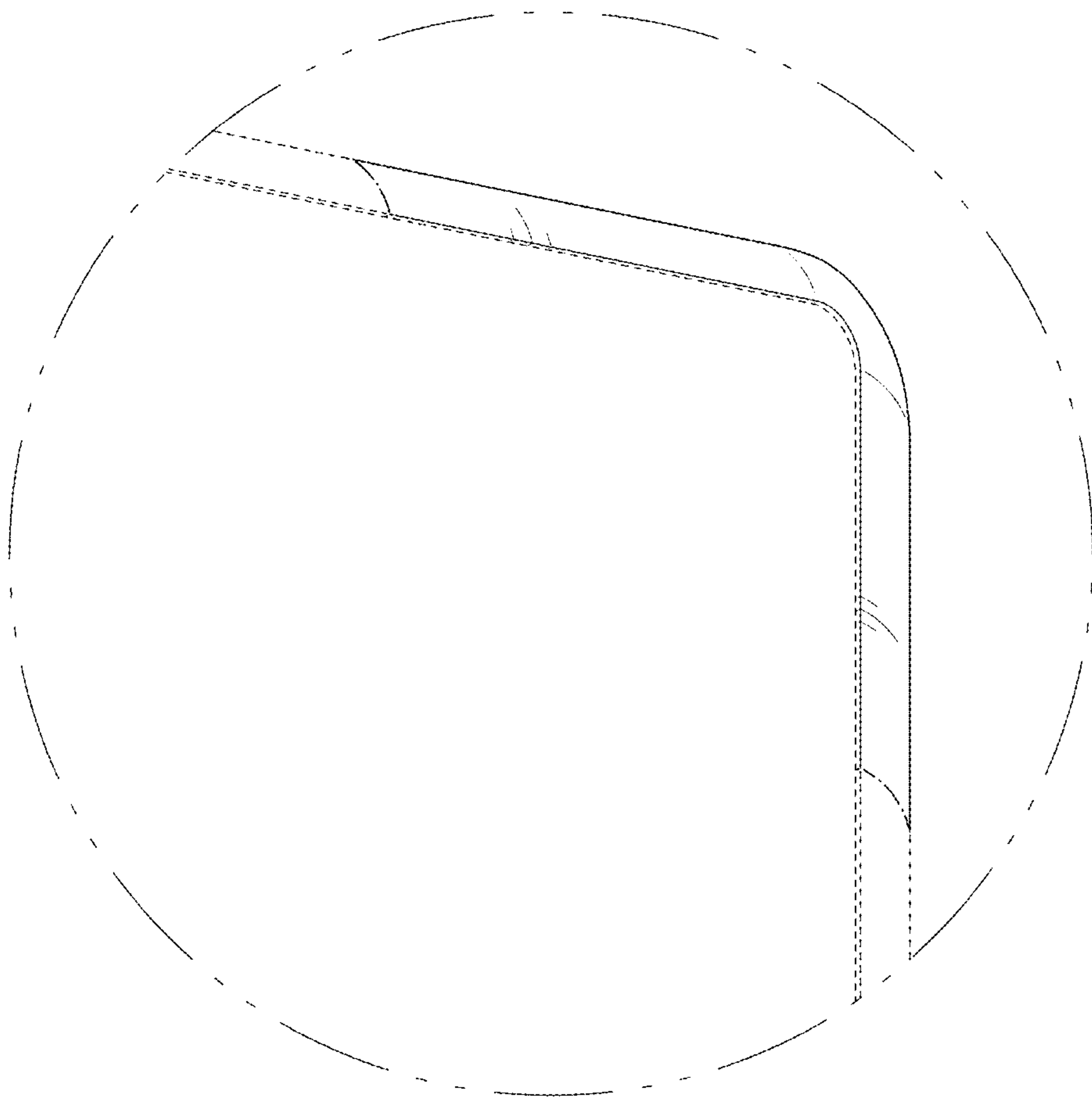


FIG. 17

