



US00D828312S

(12) **United States Design Patent**  
**Gunn**

(10) **Patent No.:** **US D828,312 S**

(45) **Date of Patent:** **\*\* Sep. 11, 2018**

(54) **ELECTRONICS HOUSING**

(71) Applicant: **Michael Gunn**, Midvale, UT (US)

(72) Inventor: **Michael Gunn**, Midvale, UT (US)

(\*\*) Term: **15 Years**

(21) Appl. No.: **29/572,394**

(22) Filed: **Jul. 27, 2016**

(51) **LOC (11) Cl.** ..... **13-03**

(52) **U.S. Cl.**

USPC ..... **D13/184**

(58) **Field of Classification Search**

USPC ..... D14/432, 433, 435.1, 196, 496, 199;  
D13/103, 108, 109, 110, 133,  
D13/137.1-137.4, 138.1-138.2,  
D13/139.1-139.8, 146, 147, 151,  
D13/152-156, 173, 177, 162, 158, 184,  
D13/107; D8/350, 353-356, 358, 402,  
D8/403; D25/108, 122, 124  
CPC .... H01R 25/00; H01R 25/006; H01R 25/003;  
H01R 13/5845; H01R 13/72; H01R  
13/46; H01R 31/06; H01R 24/28; H01R  
11/00; H01R 9/00; H01B 7/2806; H02J  
2007/0062

See application file for complete search history.

(56) **References Cited**

**U.S. PATENT DOCUMENTS**

D254,847 S \* 4/1980 Healey ..... D13/147  
D260,090 S \* 8/1981 Hughes ..... D13/152

D707,187 S \* 6/2014 Mauchle ..... D13/162  
D746,820 S \* 1/2016 Binner ..... D14/432  
D802,548 S \* 11/2017 Schmid ..... D13/184

**OTHER PUBLICATIONS**

U.S. Trademark application 86866466 , first use Dec. 24, 2015.

\* cited by examiner

*Primary Examiner* — Rosemary K Tarcza

*Assistant Examiner* — Christy M Nemeth

(74) *Attorney, Agent, or Firm* — Durham Jones & Pinegar; Sarah W. Matthews; Randall B. Bateman

(57) **CLAIM**

The ornamental design for an electronics housing, as shown and described.

**DESCRIPTION**

FIG. 1 is a front view of an electronics housing of the present invention;

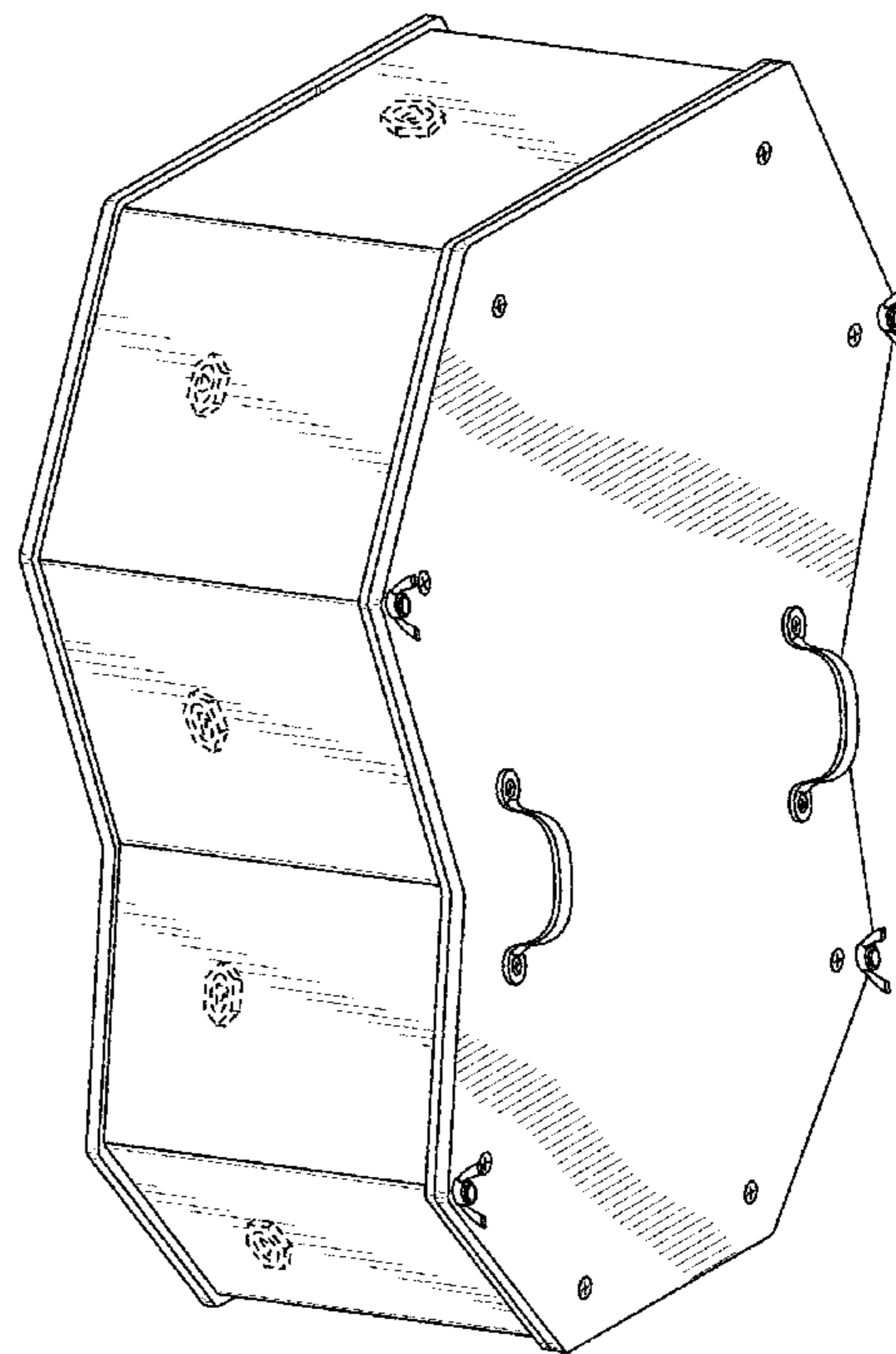
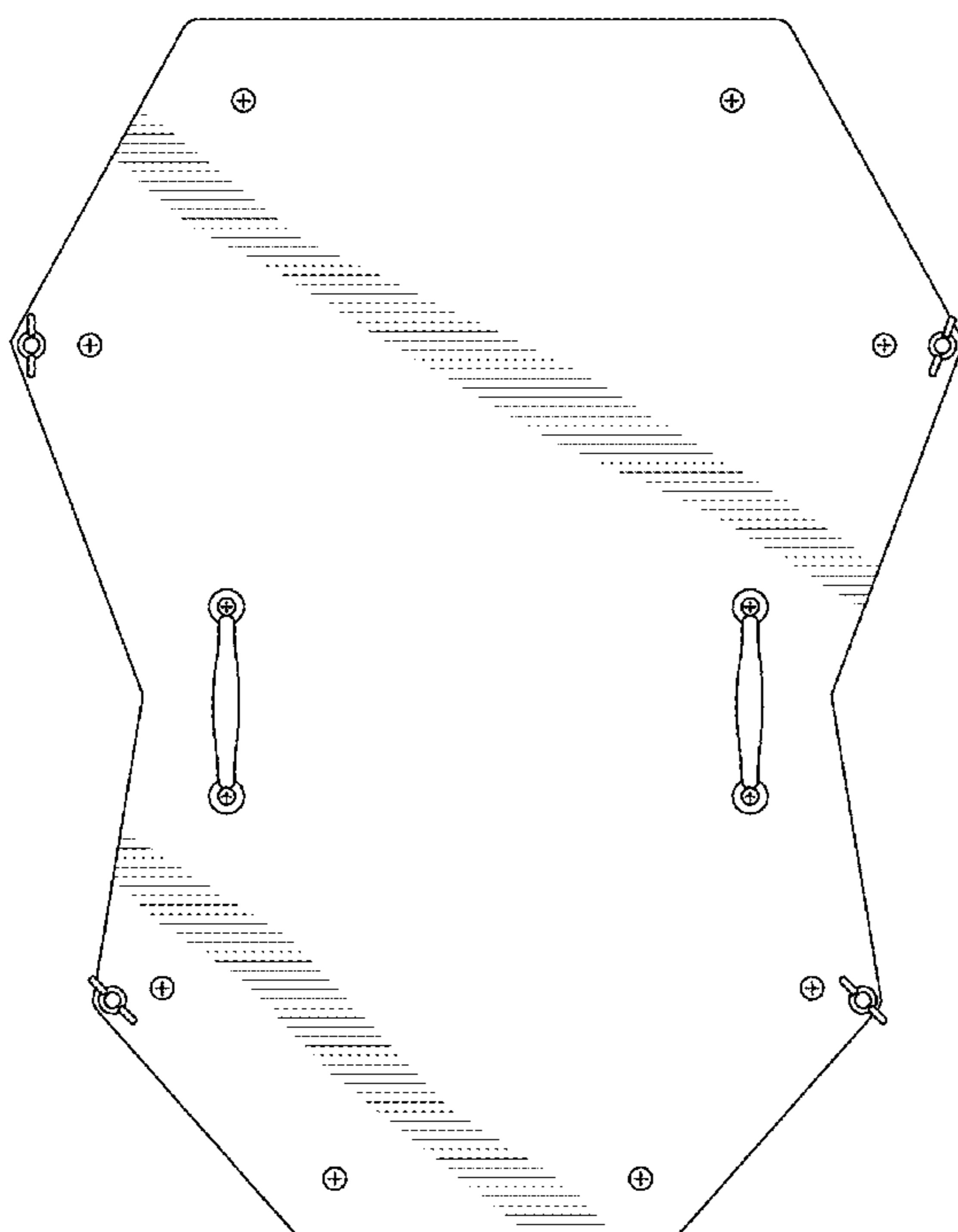
FIG. 2 is a side perspective view thereof;

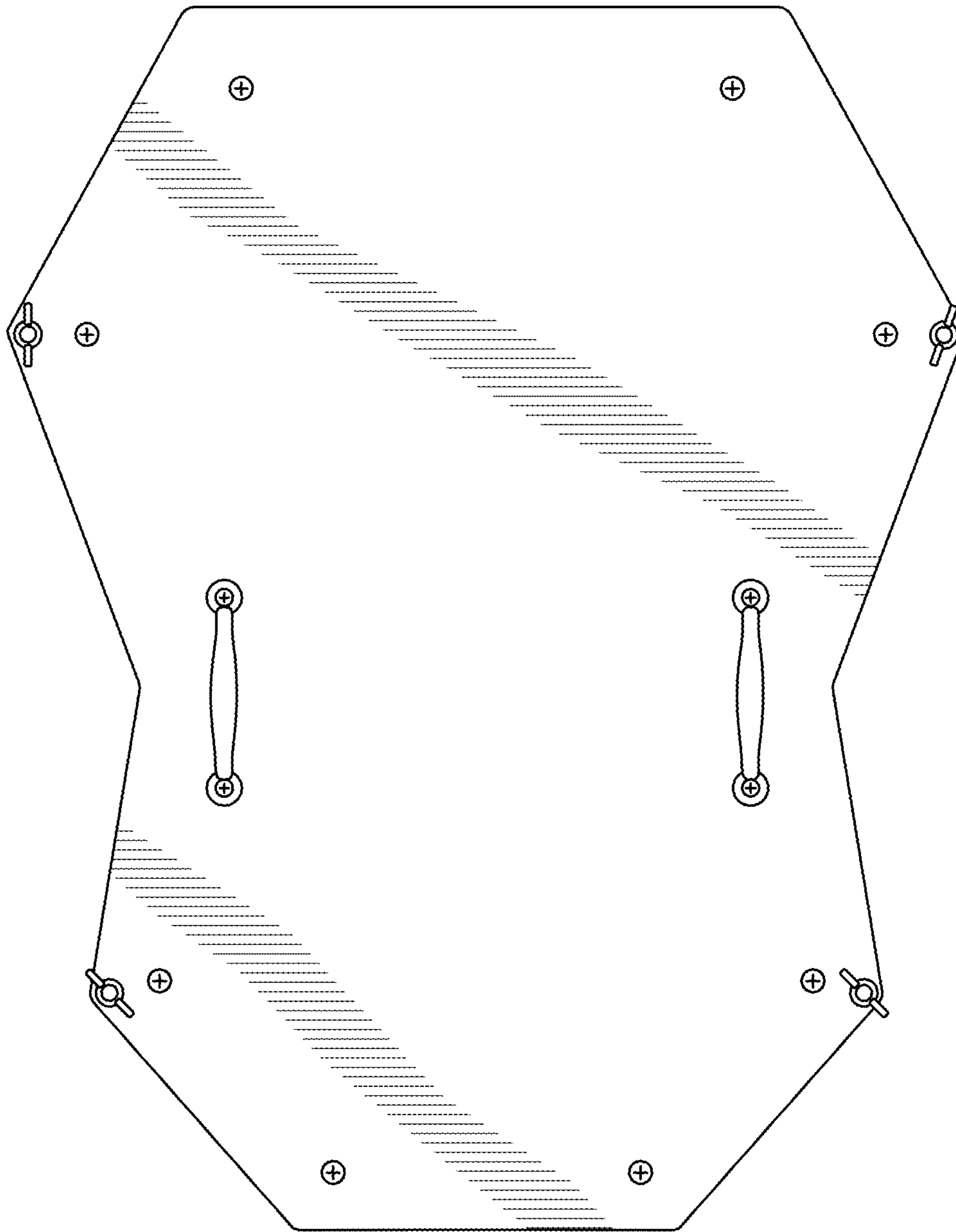
FIG. 3 is an exploded side perspective view of the electronics housing in an open position; and,

FIG. 4 is a rear view thereof.

The broken lines in the drawings are for the purpose of illustrating portions of the electronics housing that form no part of the claimed design.

**1 Claim, 4 Drawing Sheets**





**FIG. 1**

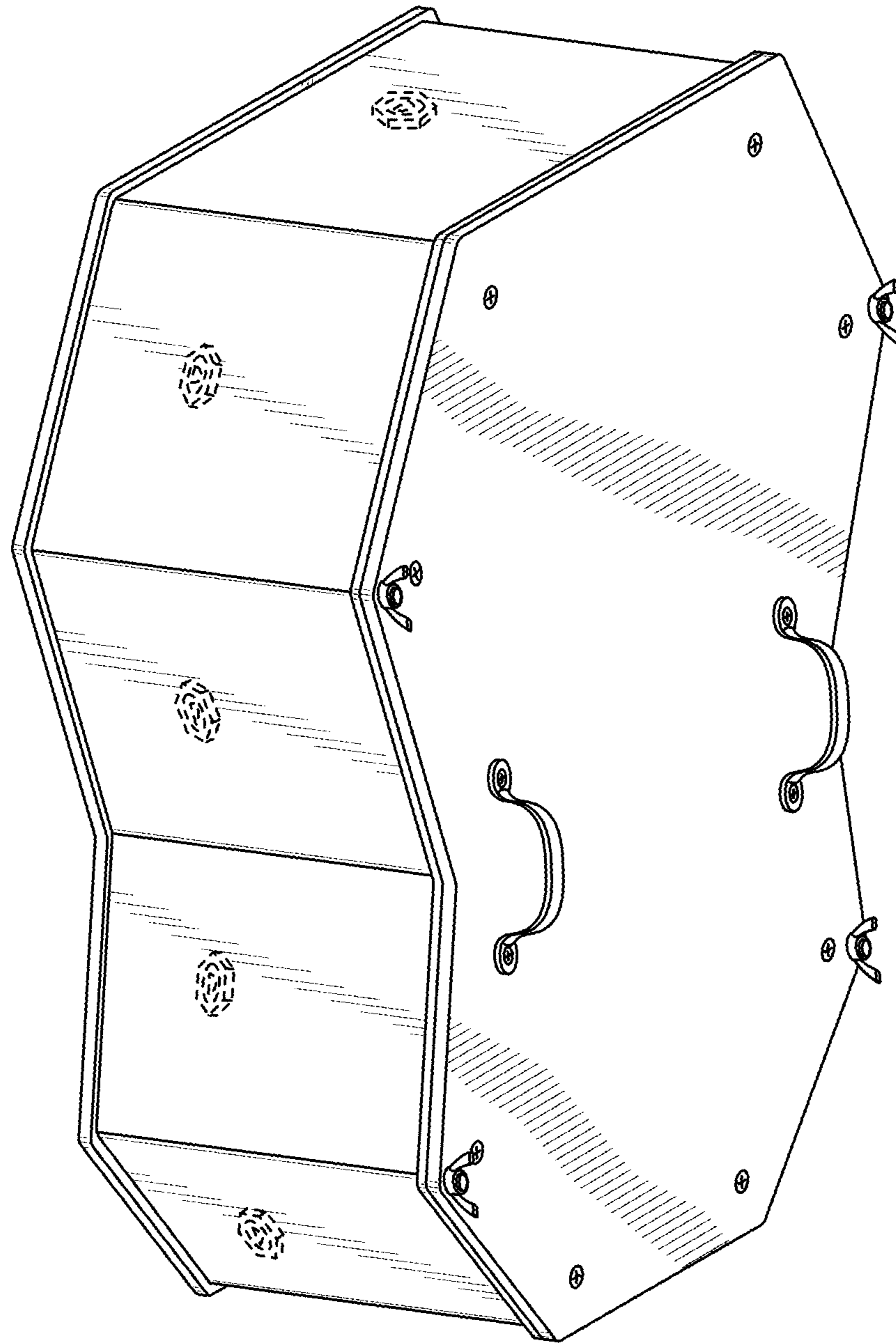


FIG. 2

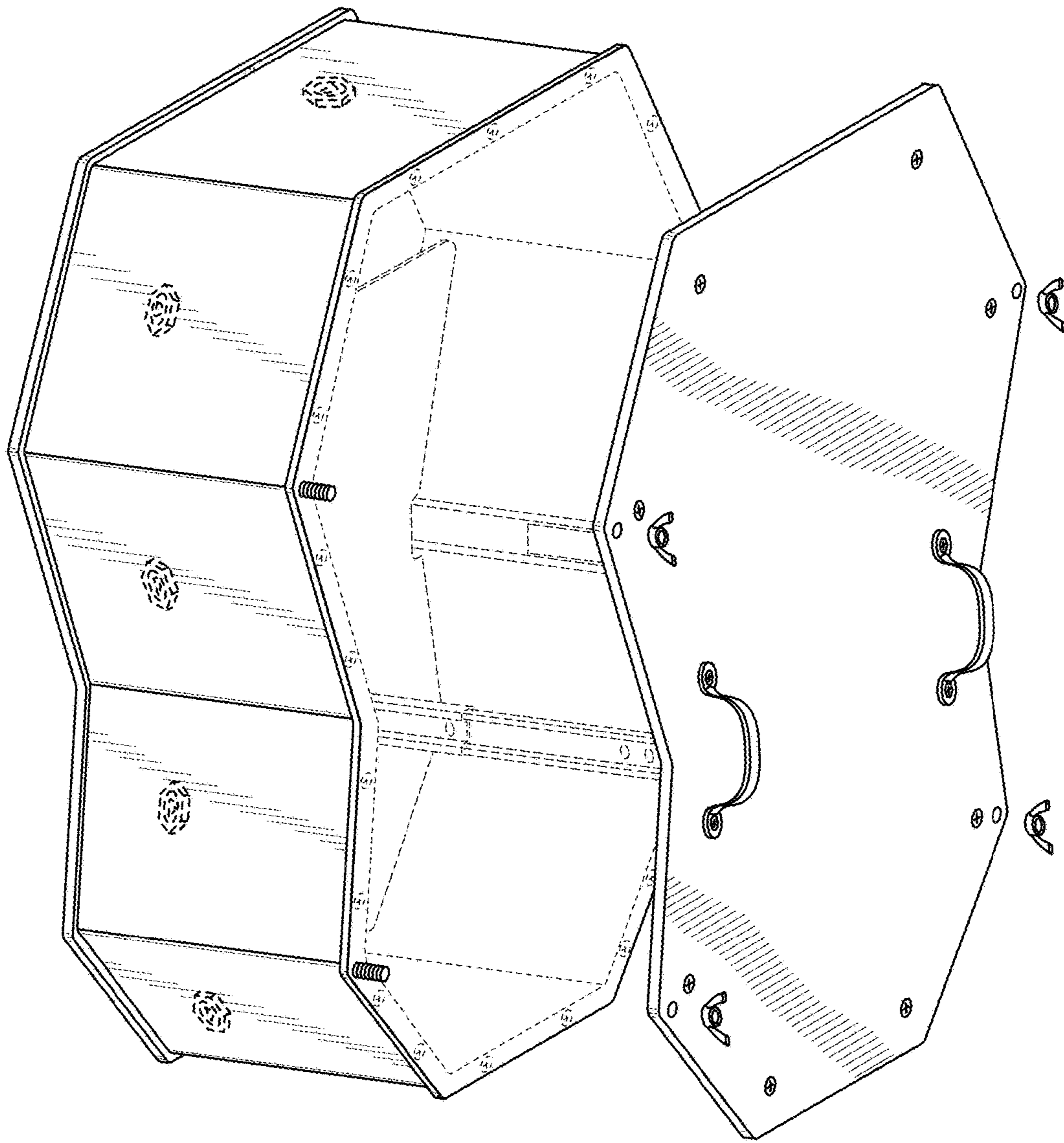
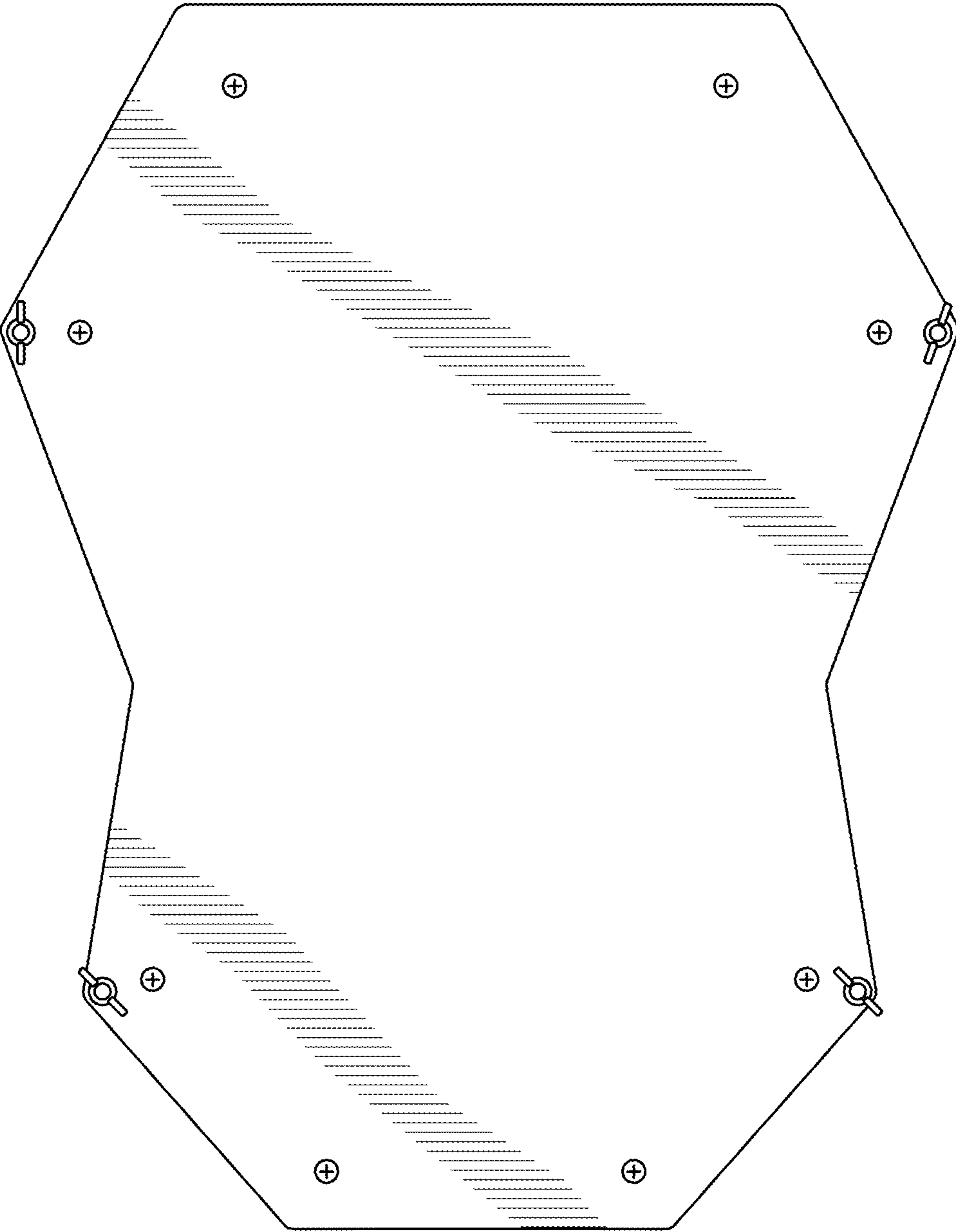


FIG. 3



**FIG. 4**