

US00D828311S

(12) **United States Design Patent**
Byrne et al.

(10) **Patent No.:** **US D828,311 S**
(45) **Date of Patent:** **** Sep. 11, 2018**

- (54) **IN-WALL SWITCH**
- (71) Applicant: **Intermatic Incorporated**, Spring Grove, IL (US)
- (72) Inventors: **John Byrne**, Elmhurst, IL (US); **Curtis Leroy Cruver, IV**, Elmhurst, IL (US)
- (73) Assignee: **Intermatic Incorporated**, Spring Grove, IL (US)

D613,699	S *	4/2010	Goyal	D13/177
D674,753	S *	1/2013	Jansen	D13/139.1
D679,664	S *	4/2013	Piche	D13/164
8,441,155	B2 *	5/2013	Simard	G04C 23/347 307/140
D709,390	S *	7/2014	Ni	D10/40
D717,742	S *	11/2014	Larkin	D13/162
9,091,403	B2 *	7/2015	Trolese	H01H 23/00
D783,545	S *	4/2017	Feldstein	D13/164
D799,432	S *	10/2017	McRoberts	D13/162
2004/0130456	A1 *	7/2004	Wu	H01H 9/0271 340/9.1
2009/0058193	A1 *	3/2009	Reid	H05B 37/0227 307/116

(**) Term: **15 Years**

(21) Appl. No.: **29/599,744**

(22) Filed: **Apr. 6, 2017**

(51) **LOC (11) Cl.** **13-03**

(52) **U.S. Cl.**
USPC **D13/177**

(58) **Field of Classification Search**
USPC D13/162, 164, 174, 177; D10/40;
D26/26
CPC G04C 23/00; G04C 23/04; G04C 23/26;
G04C 23/34; G04F 1/005; G04F 10/00;
H01H 43/00; H01H 2300/03; H05B
37/0281
See application file for complete search history.

(56) **References Cited**

U.S. PATENT DOCUMENTS

3,588,489	A *	6/1971	Gaines	H01R 13/717 362/95
D310,992	S *	10/1990	Rosenbaum	D10/15
5,160,853	A *	11/1992	Simon	G04G 15/006 307/116
D435,523	S *	12/2000	Ciornei	D13/164
D487,063	S *	2/2004	Demster	D13/162
D500,686	S *	1/2005	Stekelenburg	D10/40
D515,449	S *	2/2006	Nelson	D10/114.1
7,360,912	B1 *	4/2008	Savicki, Jr.	H01H 23/025 200/317
D595,664	S *	7/2009	Simard	D13/162

(Continued)

OTHER PUBLICATIONS

Undated images of publicly available products collected Mar. 24, 2017. Publication date unknown; Publisher unknown; images shown portray designs known to be published and/or in public use before Mar. 2017.

(Continued)

Primary Examiner — Selina Sikder
(74) *Attorney, Agent, or Firm* — Brinks Gilson & Lione

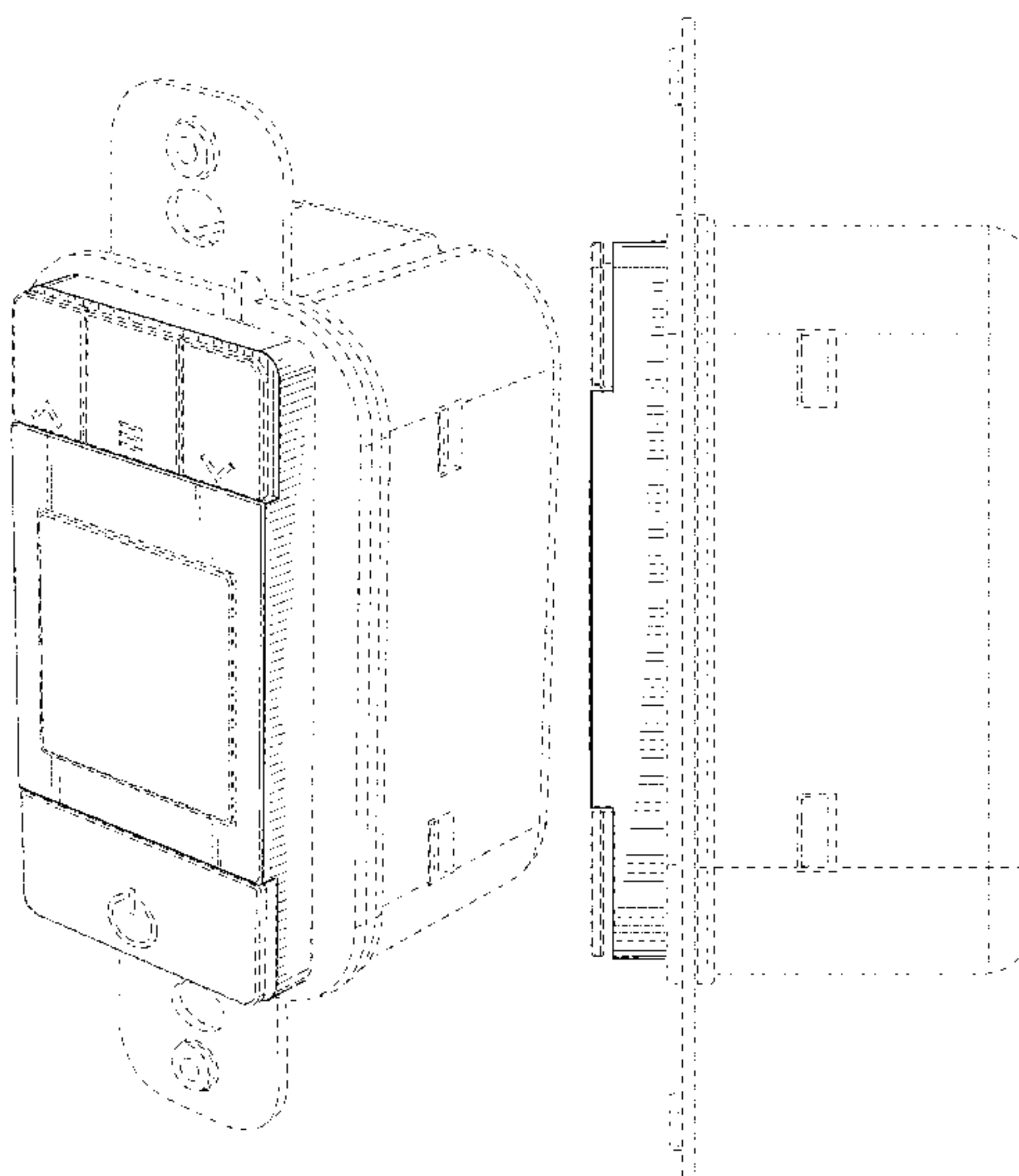
(57) **CLAIM**

We claim the ornamental design for an in-wall switch, as shown and described.

DESCRIPTION

FIG. 1 is a top perspective view of an in-wall switch; FIG. 2 is a front elevation view thereof; FIG. 3 is a right side elevation view thereof where the left side is a mirror image of the right side; FIG. 4 is a top plan view thereof; and, FIG. 5 is a bottom plan view thereof. Broken lines in the drawings show environment and form no part of the claimed design.

1 Claim, 4 Drawing Sheets



(56)

References Cited

U.S. PATENT DOCUMENTS

2010/0140070 A1* 6/2010 Simard G04C 23/347
200/33 R

OTHER PUBLICATIONS

Undated images of publicly available products collected Jul. 5, 2017. Publication date unknown; Publisher unknown; images shown portray designs known to be published and/or in public use before Jul. 2017.

* cited by examiner

Fig. 1

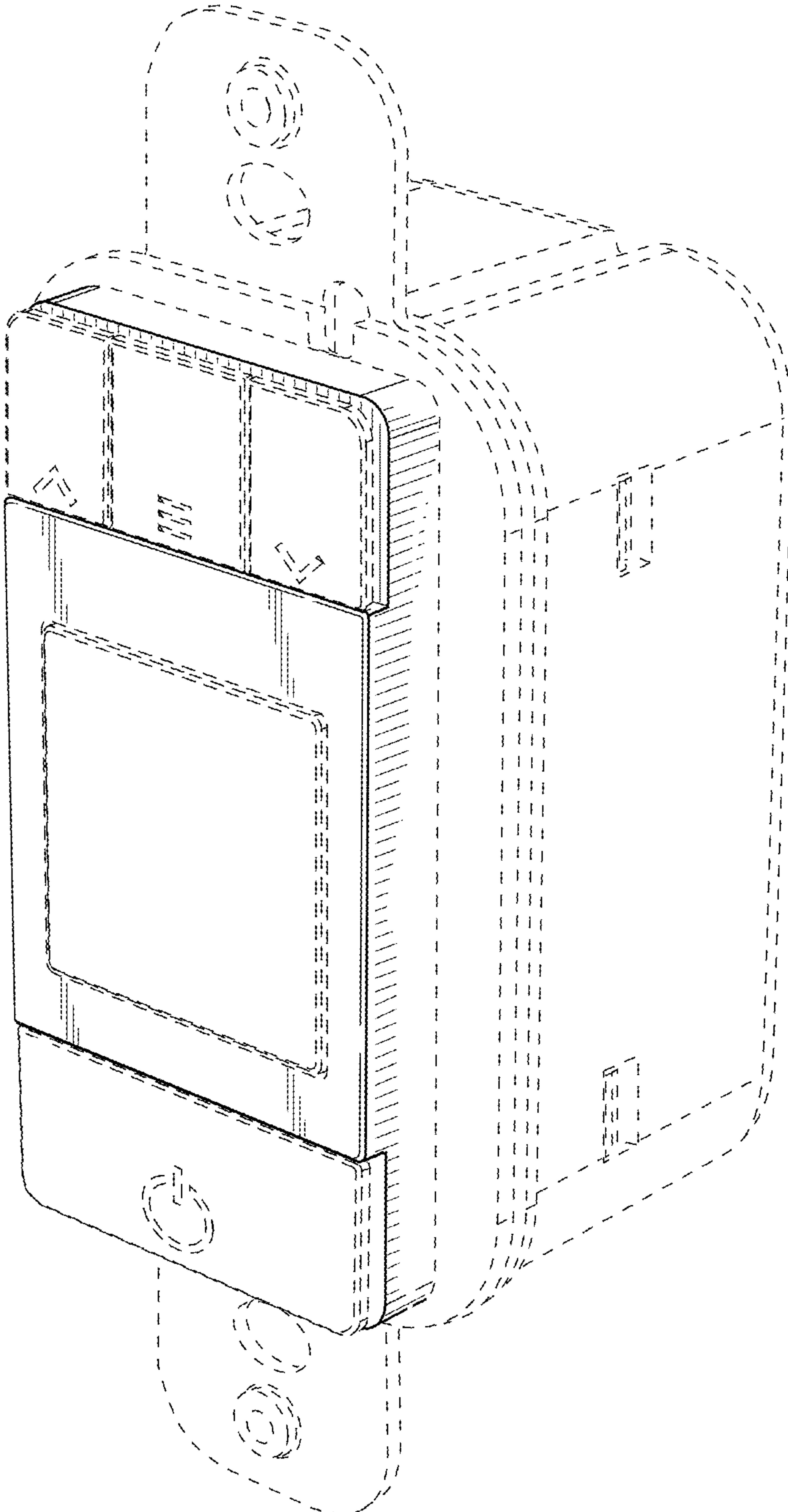


Fig. 2

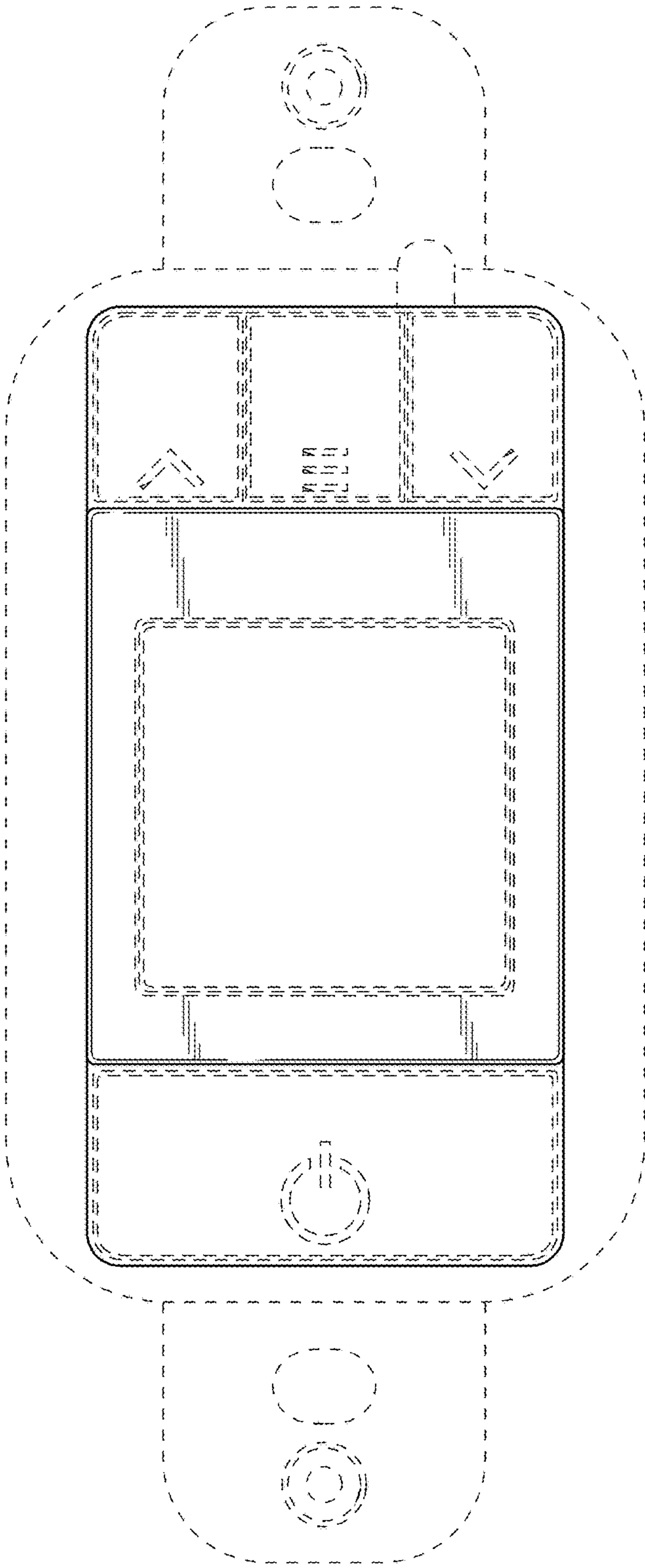


Fig. 3

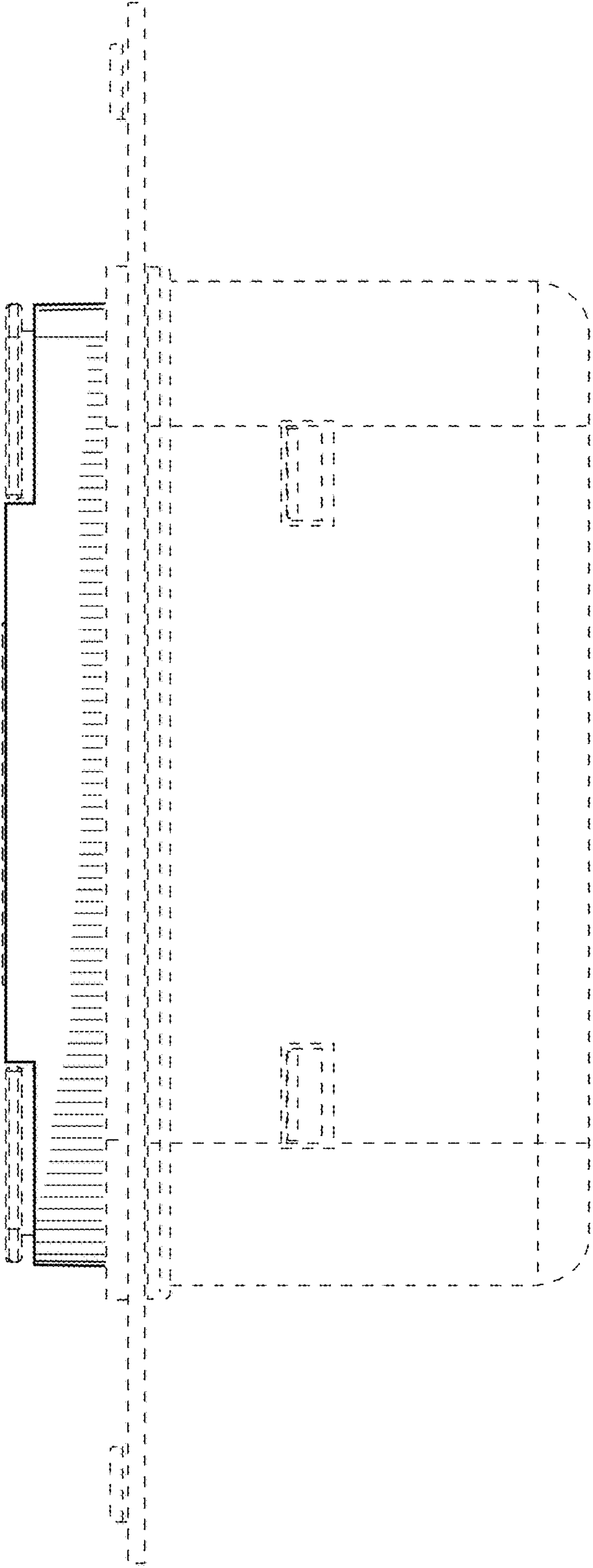


Fig. 4

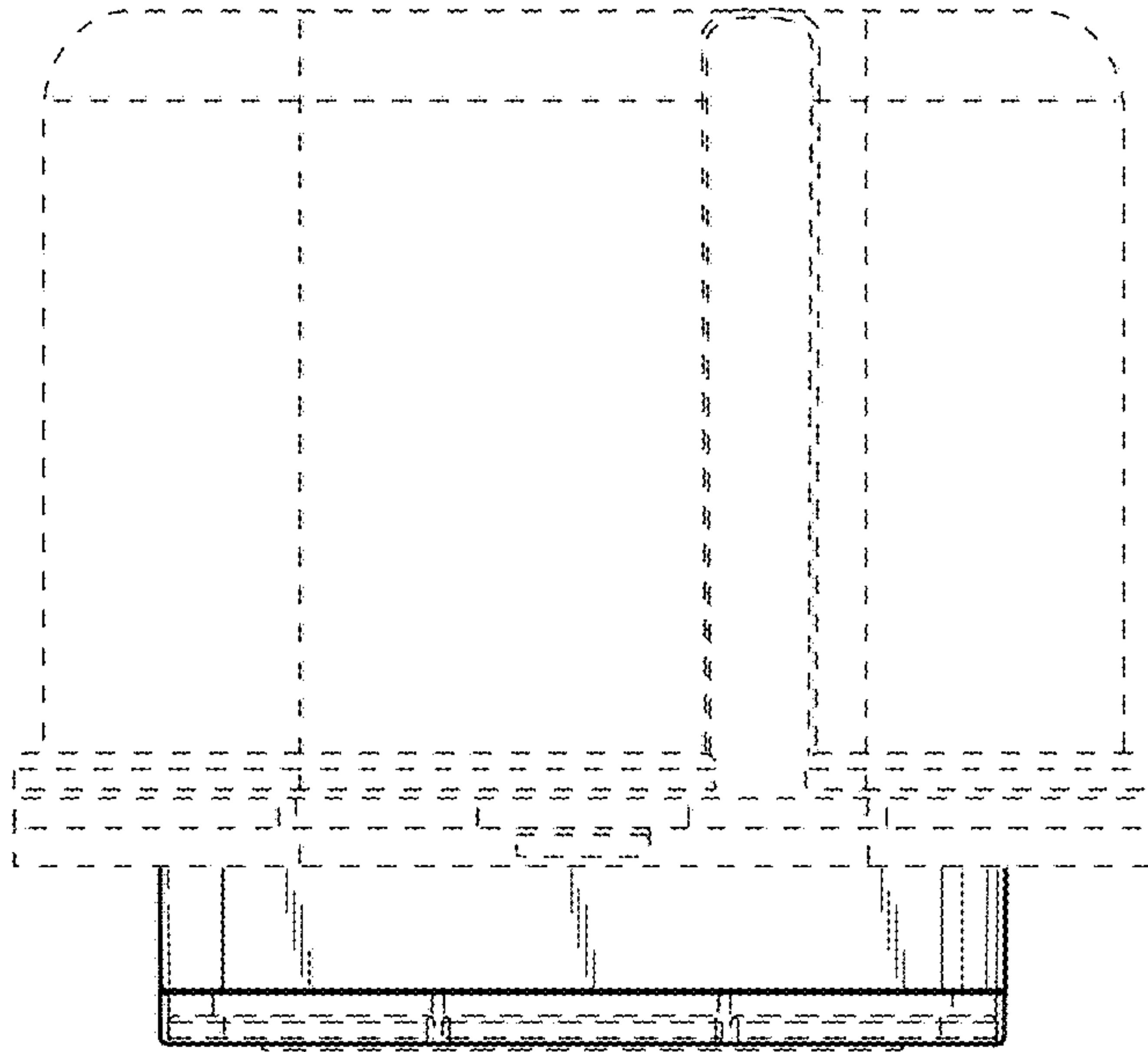


Fig. 5

