



US00D828309S

(12) **United States Design Patent**  
**Tang et al.**

(10) **Patent No.:** **US D828,309 S**

(45) **Date of Patent:** **\*\* Sep. 11, 2018**

(54) **SWITCH CONTROLLER**

(71) Applicant: **eMoMo Technology Co., Ltd.**,  
Shenzhen (CN)

(72) Inventors: **Wenji Tang**, Shenzhen (CN); **Zhigang Wang**, Shenzhen (CN); **Ming Kong**, Shenzhen (CN); **Keyun Zhang**, Shenzhen (CN)

(73) Assignee: **eMoMo TECHNOLOGY CO., LTD.**,  
Shenzhen (CN)

(\*\*) Term: **15 Years**

(21) Appl. No.: **29/611,982**

(22) Filed: **Jul. 27, 2017**

(51) **LOC (11) Cl.** ..... **13-03**

(52) **U.S. Cl.**  
USPC ..... **D13/171**

(58) **Field of Classification Search**  
USPC ..... D13/162, 164, 171, 173, 174  
CPC ..... H01H 3/02; H01H 3/022; H01H 3/12;  
H01H 3/122; H01H 9/02; H01H 9/0235;  
H01H 13/023; H01H 13/04; H01H 13/06;  
H01H 13/063; H01H 13/10; H01H 13/12;  
H01H 13/14; H01H 13/36; H01H 13/70;  
H01H 13/86; H01H 21/24; H01H 25/065;  
A47C 1/0345; A47C 1/035; A47C 7/506  
See application file for complete search history.

(56) **References Cited**

**U.S. PATENT DOCUMENTS**

8,106,325 B2 \* 1/2012 Laurent ..... H01H 13/70  
200/296  
D689,825 S \* 9/2013 Wenji ..... D13/162

D733,652 S \* 7/2015 Wenji ..... D13/123  
D740,763 S \* 10/2015 Wenji ..... D13/162  
D758,975 S \* 6/2016 Hunter ..... D13/162  
D764,420 S \* 8/2016 Naka ..... D13/171  
D776,091 S \* 1/2017 Spio ..... D14/218  
D786,805 S \* 5/2017 Anderson ..... D13/174  
9,640,343 B2 \* 5/2017 Koch ..... H01H 9/0207  
D788,718 S \* 6/2017 Tang ..... D13/169  
D793,364 S \* 8/2017 Deyaf ..... D10/49  
9,804,632 B2 \* 10/2017 Gassner ..... G05G 1/02  
D812,020 S \* 3/2018 Seidl ..... D13/162  
D813,179 S \* 3/2018 Wu ..... D13/169  
2011/0198894 A1 \* 8/2011 Hsieh ..... A47C 1/0242  
297/68  
2014/0353134 A1 \* 12/2014 Muller ..... H01H 3/20  
200/5 A

\* cited by examiner

*Primary Examiner* — Selina Sikder

(74) *Attorney, Agent, or Firm* — Bass, Berry & Sims,  
PLC; Terry L. Clark

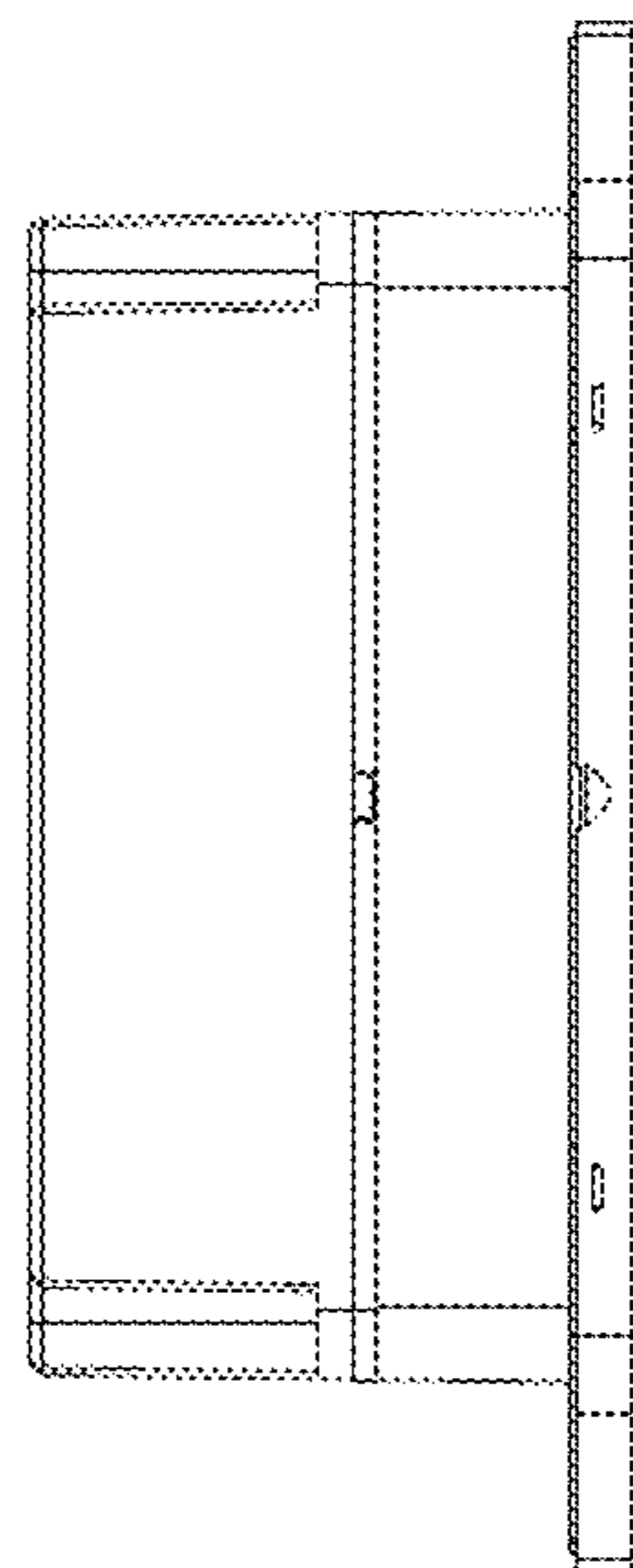
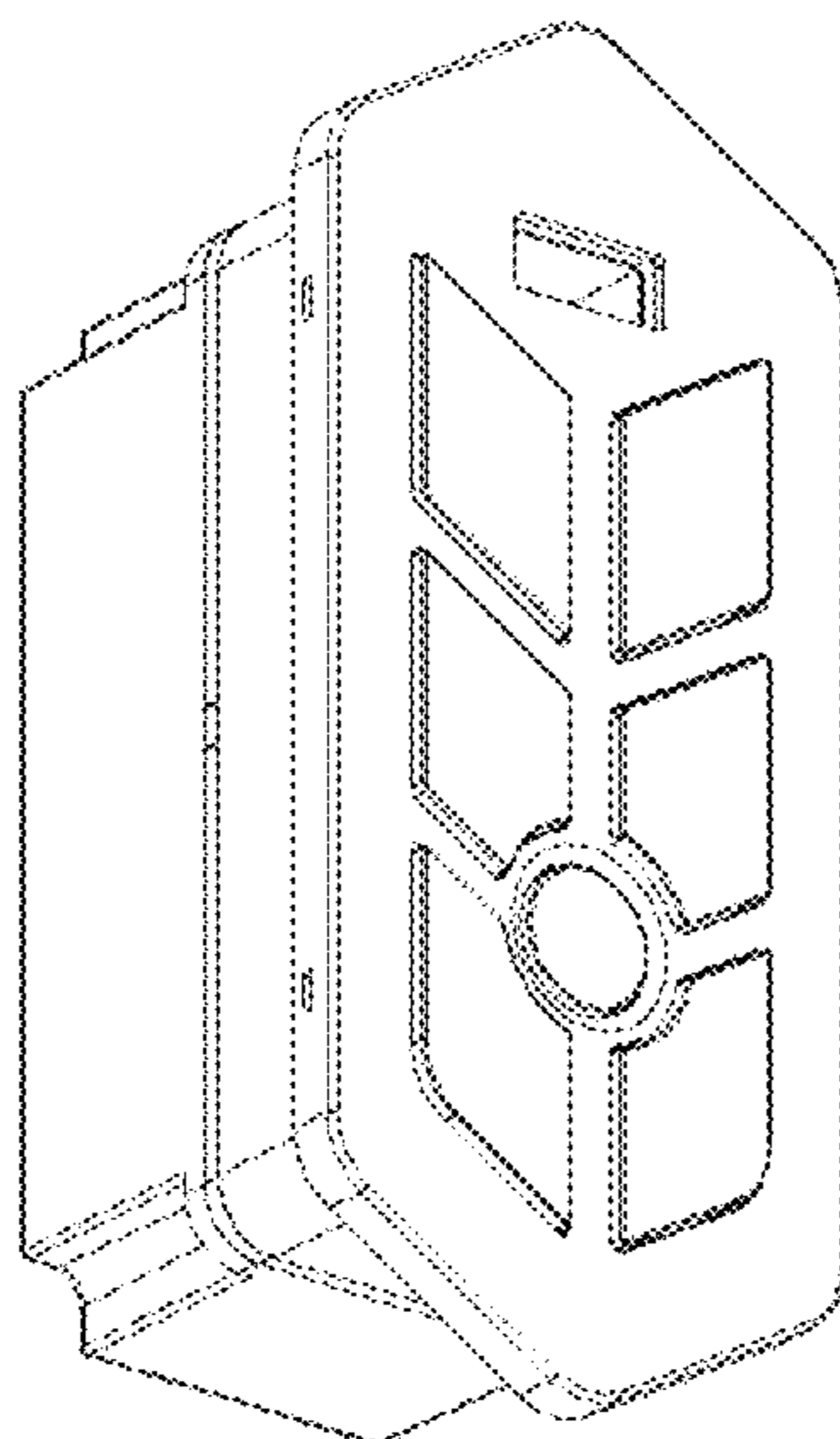
(57) **CLAIM**

The ornamental design for a switch controller, as shown and described.

**DESCRIPTION**

FIG. 1 is a front perspective view of a switch controller showing our new design;  
FIG. 2 is a rear perspective view thereof;  
FIG. 3 is a top plan view thereof;  
FIG. 4 is a bottom plan view thereof;  
FIG. 5 is a first side view thereof;  
FIG. 6 is a second side view thereof;  
FIG. 7 is a third side view thereof; and,  
FIG. 8 is a fourth side view thereof.

**1 Claim, 8 Drawing Sheets**



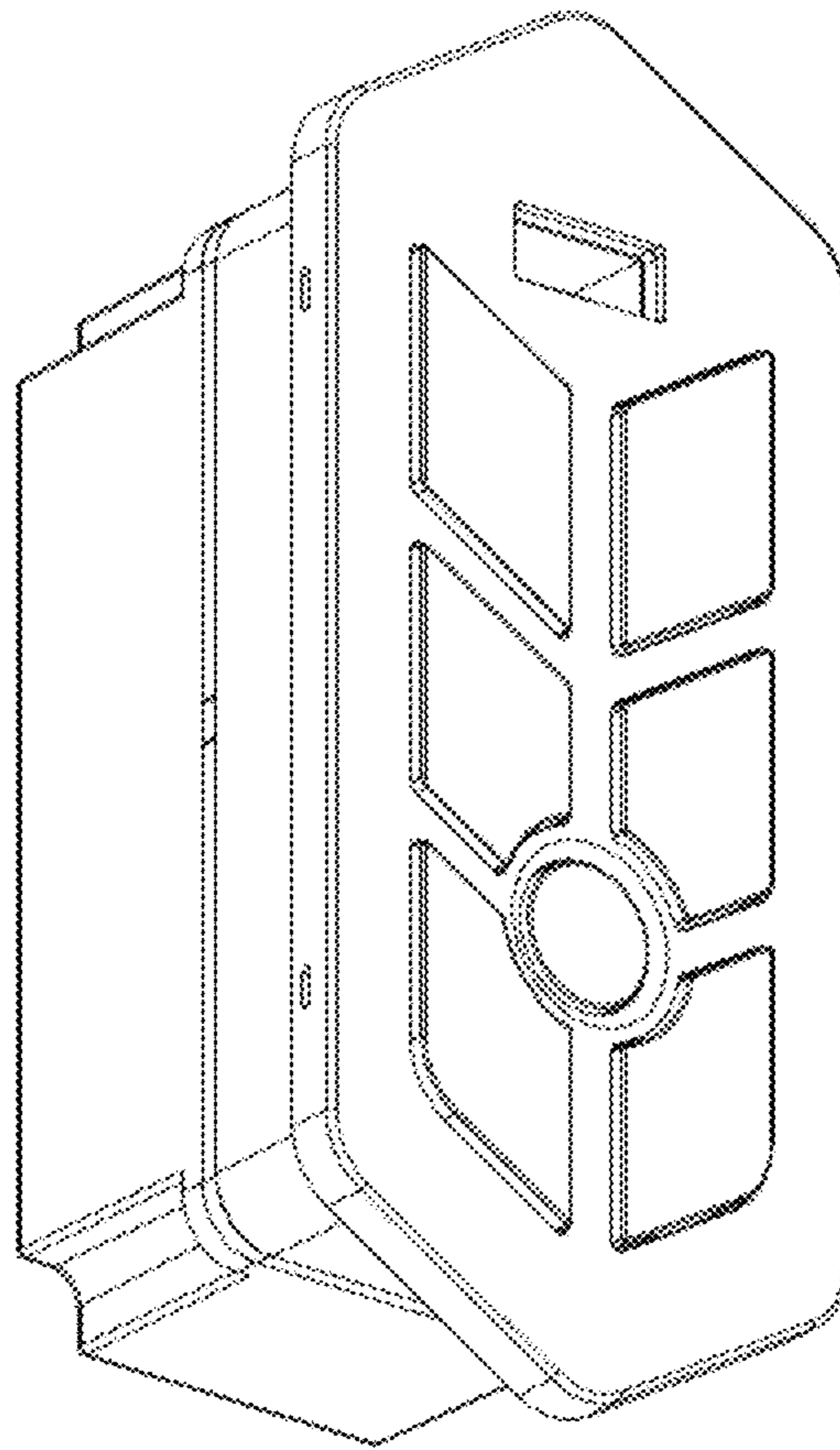


FIG. 1

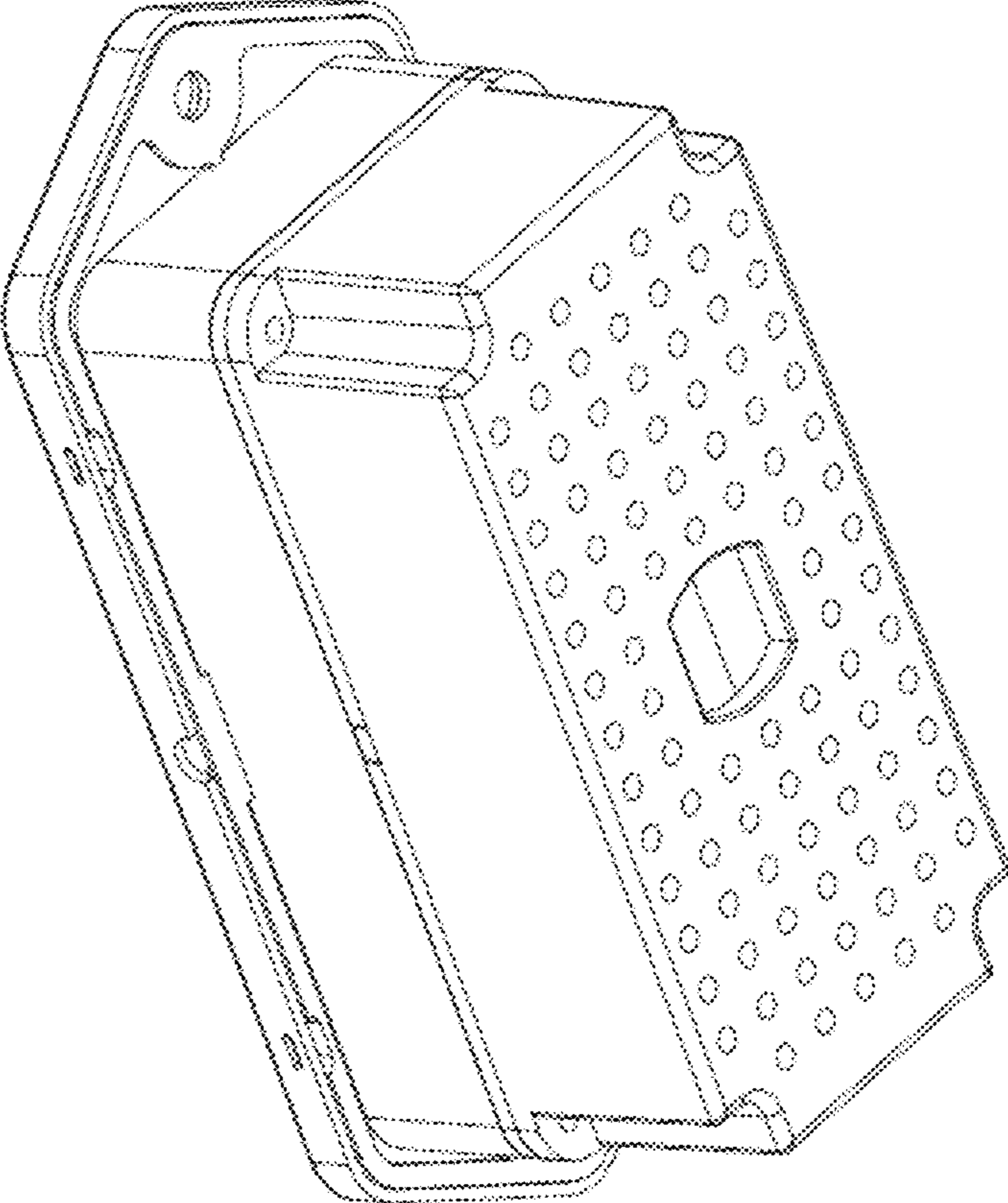


FIG. 2

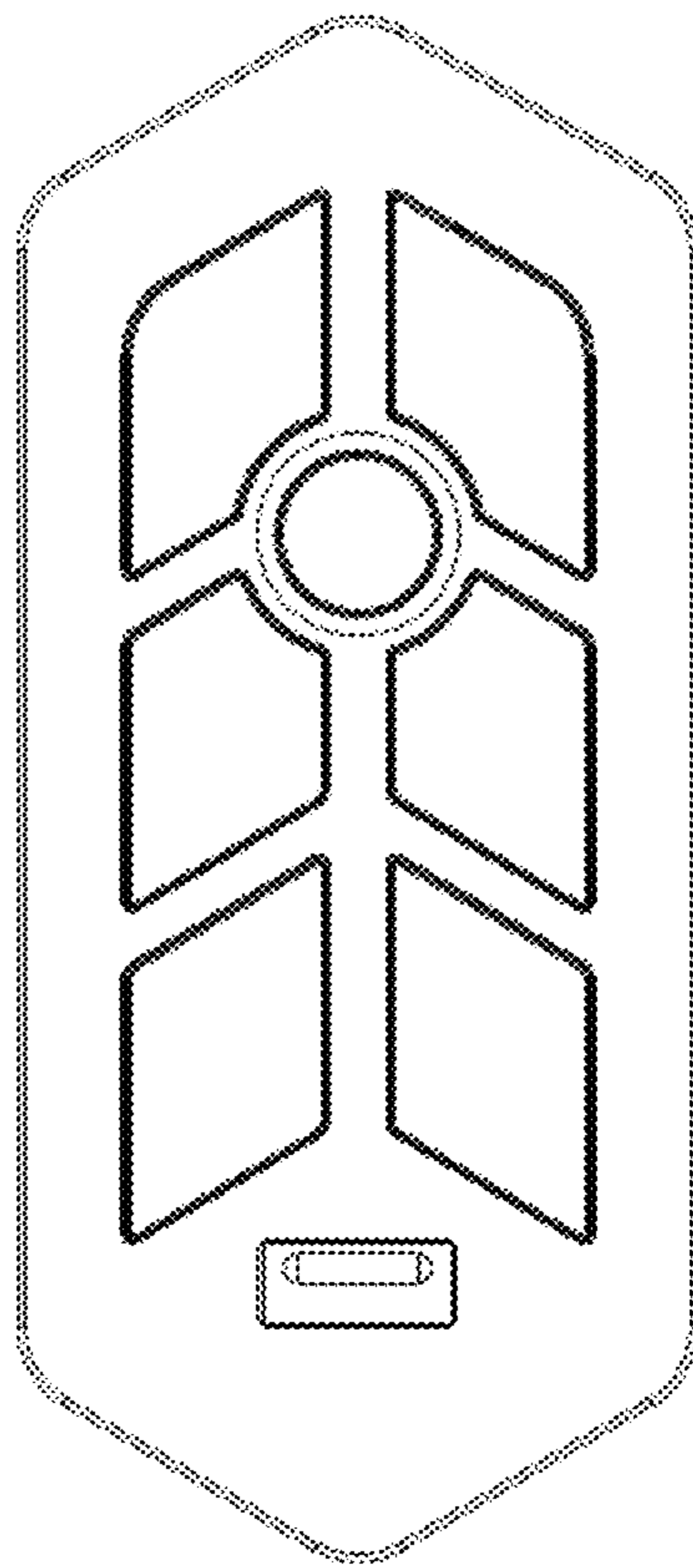


FIG. 3

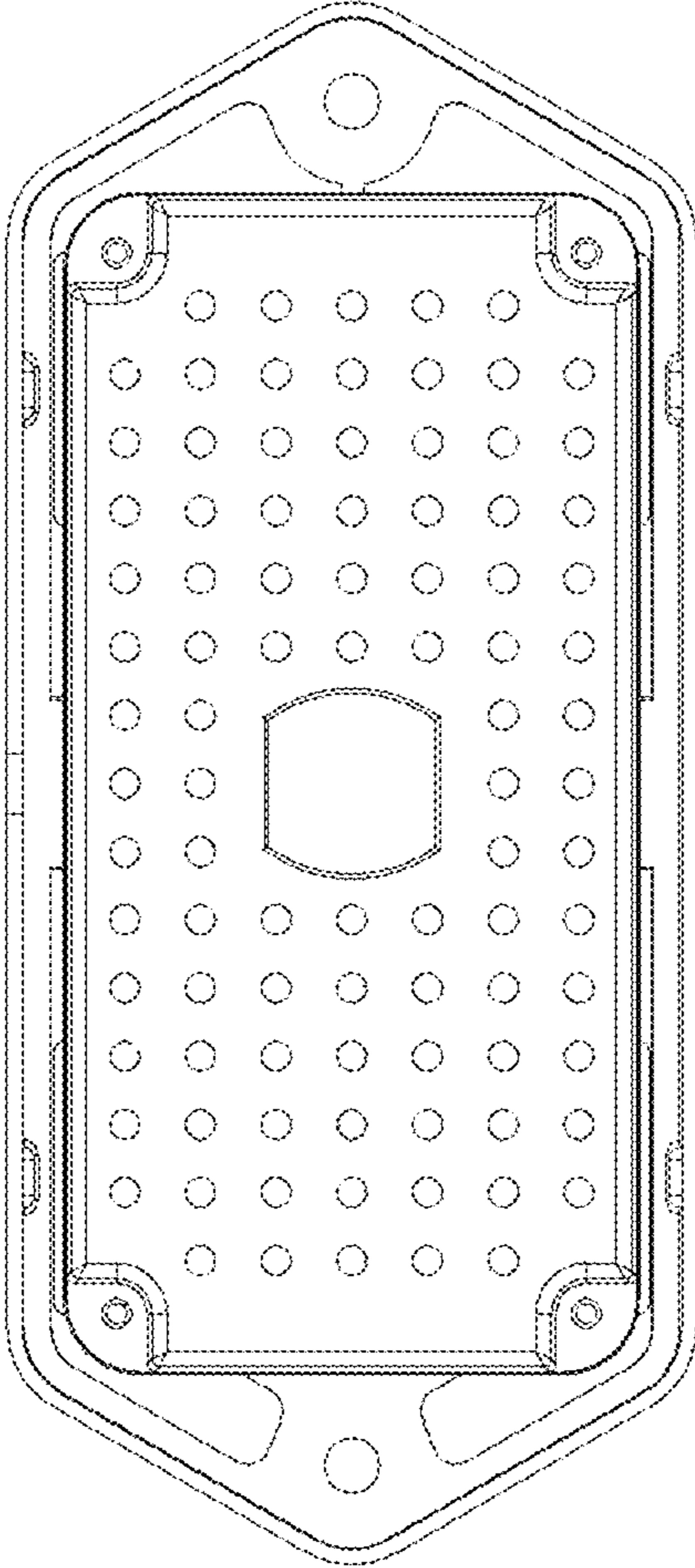


FIG. 4

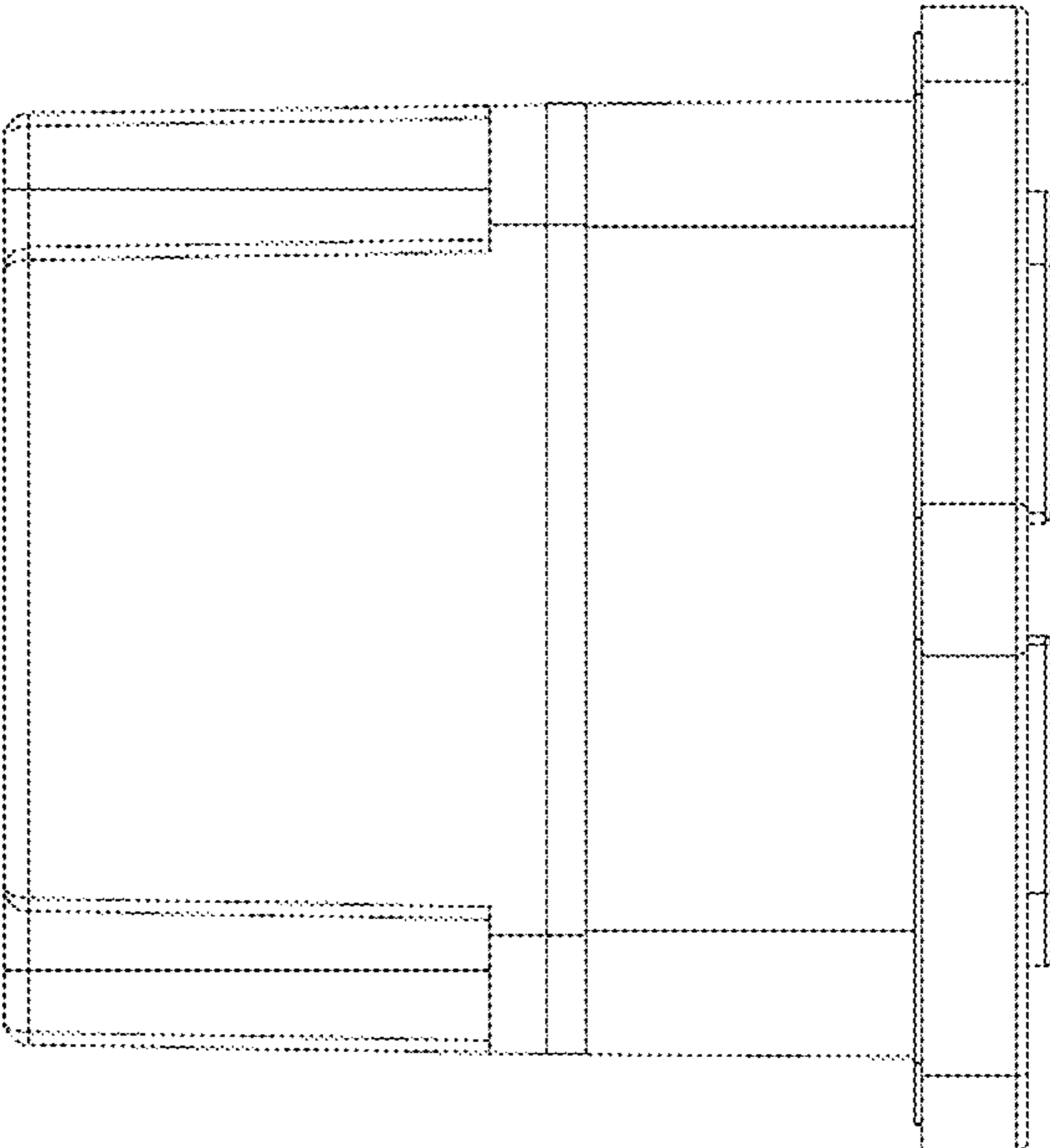


FIG. 5

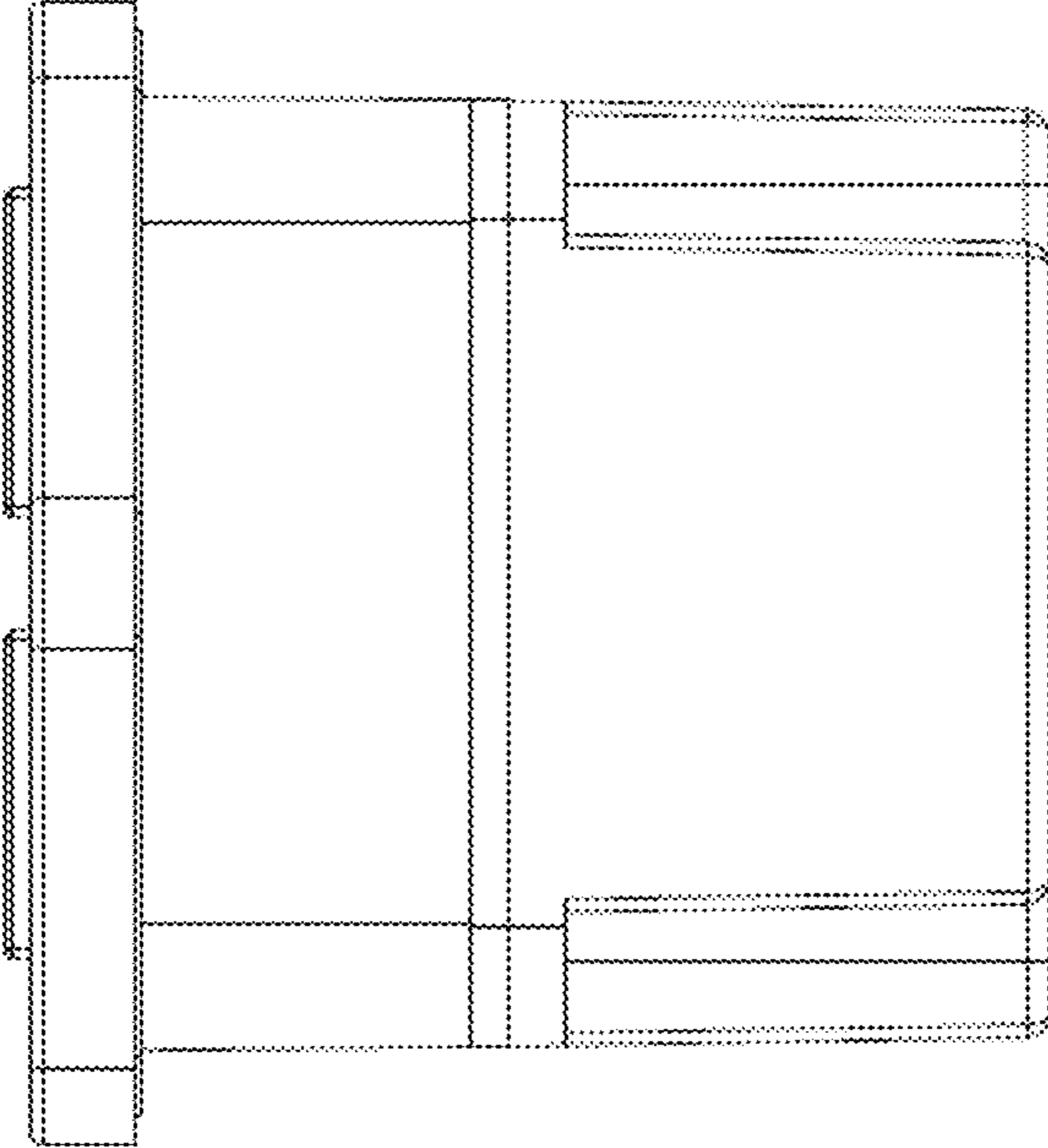


FIG. 6

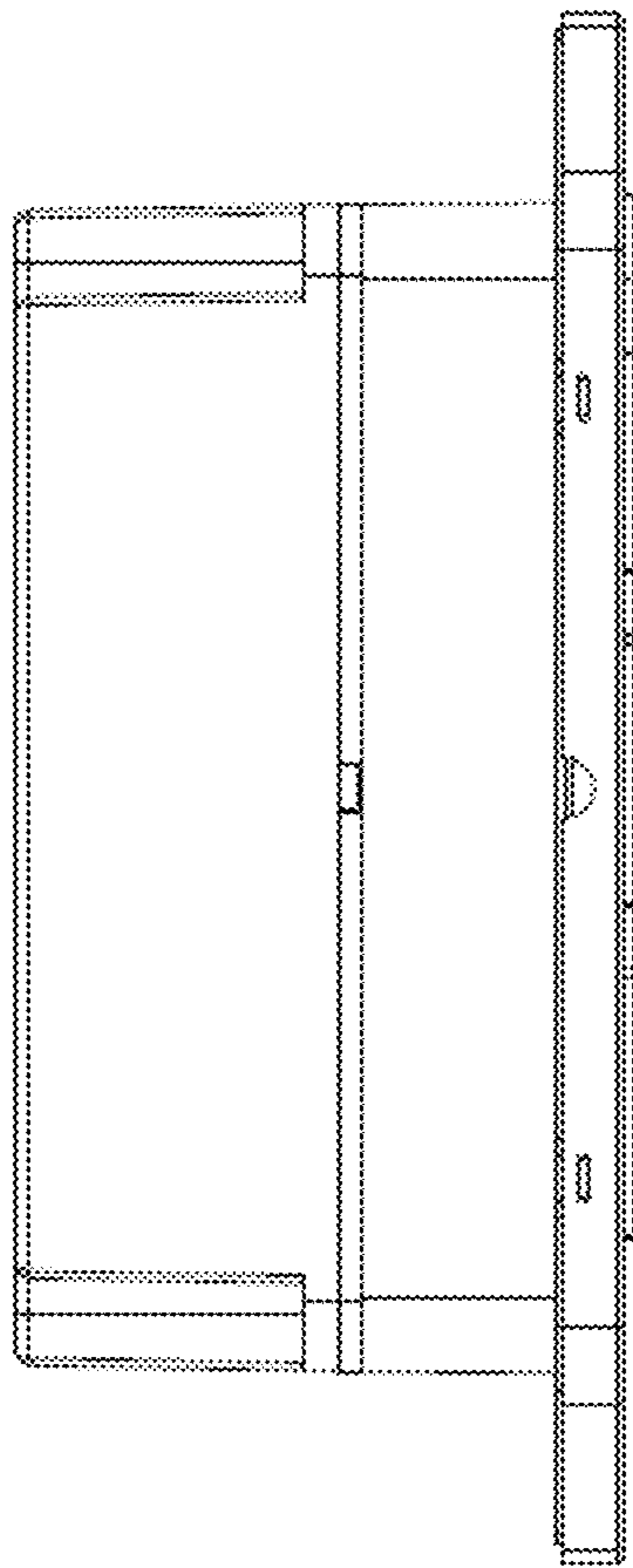


FIG. 7



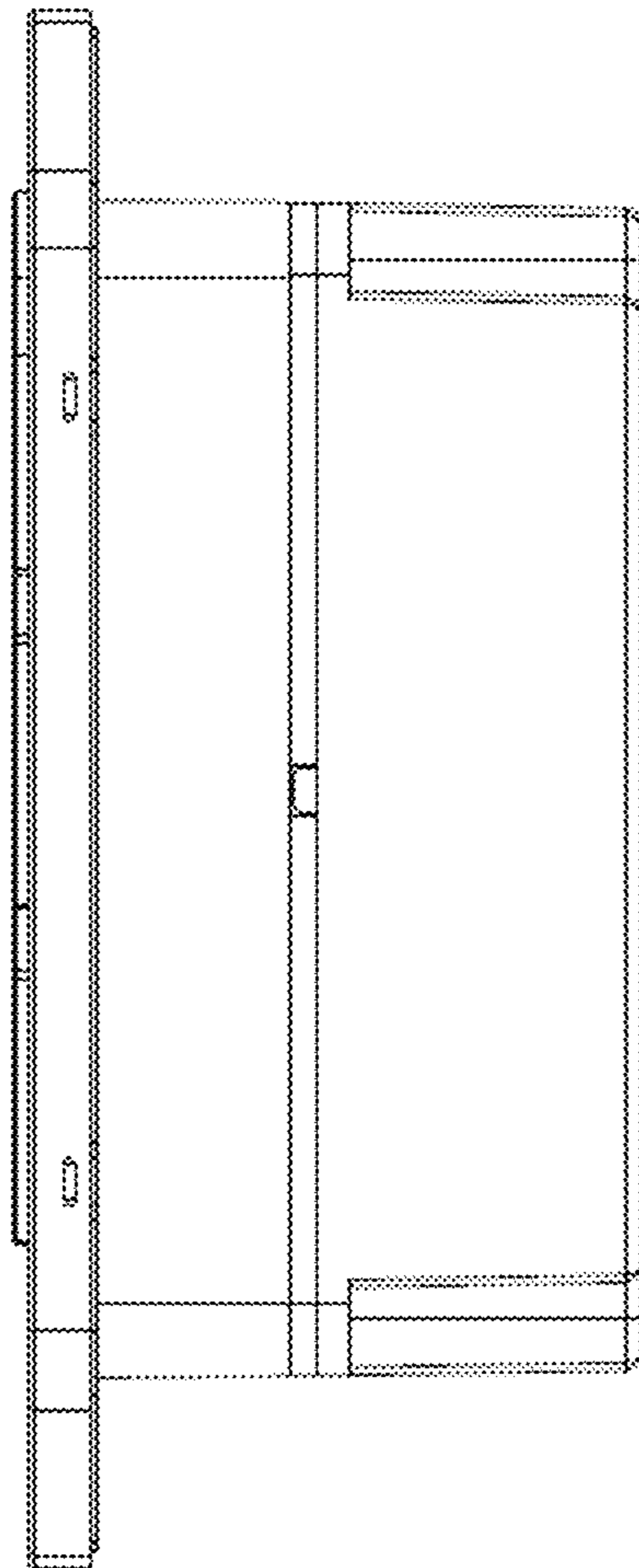


FIG. 8