



US00D828308S

(12) **United States Design Patent** (10) **Patent No.:** **US D828,308 S**  
**Smith** (45) **Date of Patent:** **\*\* Sep. 11, 2018**

- (54) **CABLE ARMOR STOP**
- (71) Applicant: **Bridgeport Fittings, Inc.**, Stratford, CT (US)
- (72) Inventor: **Lawrence J. Smith**, Stamford, CT (US)
- (73) Assignee: **BRIDGEPORT FITTINGS, INC.**, Stratford, CT (US)
- (\*\*) Term: **15 Years**
- (21) Appl. No.: **29/640,398**
- (22) Filed: **Mar. 14, 2018**

- 6,354,851 B1 3/2002 Bachle
- 6,817,895 B2 11/2004 Kiely
- 6,848,834 B1 2/2005 Roehrs et al.
- 7,238,894 B1 7/2007 Gretz
- 7,307,218 B2 12/2007 Van Den Berg et al.
- 7,485,806 B1 2/2009 Gretz
- 7,723,623 B2 5/2010 Kiely et al.
- 7,824,213 B1 11/2010 Korcz et al.
- D648,279 S 11/2011 Kiely
- D650,741 S 12/2011 Sun

(Continued)

**FOREIGN PATENT DOCUMENTS**

DE 202005021930 U1 8/2011

**OTHER PUBLICATIONS**

“Zinc Die Cast Saddlegrip Snap-Tite MC Cable Connector with Insulated Throat,” GraybaR, graybar.com, accessed: Sep. 2015; <http://www.graybar.com/store/en/gb/zinc-die-cast-saddlegrip-snap-tite-mc-cable-connector-with-insulated-throat>; whole document.

(Continued)

*Primary Examiner* — Daniel Bui  
(74) *Attorney, Agent, or Firm* — Ware, Fressola, Maguire & Barber LLP

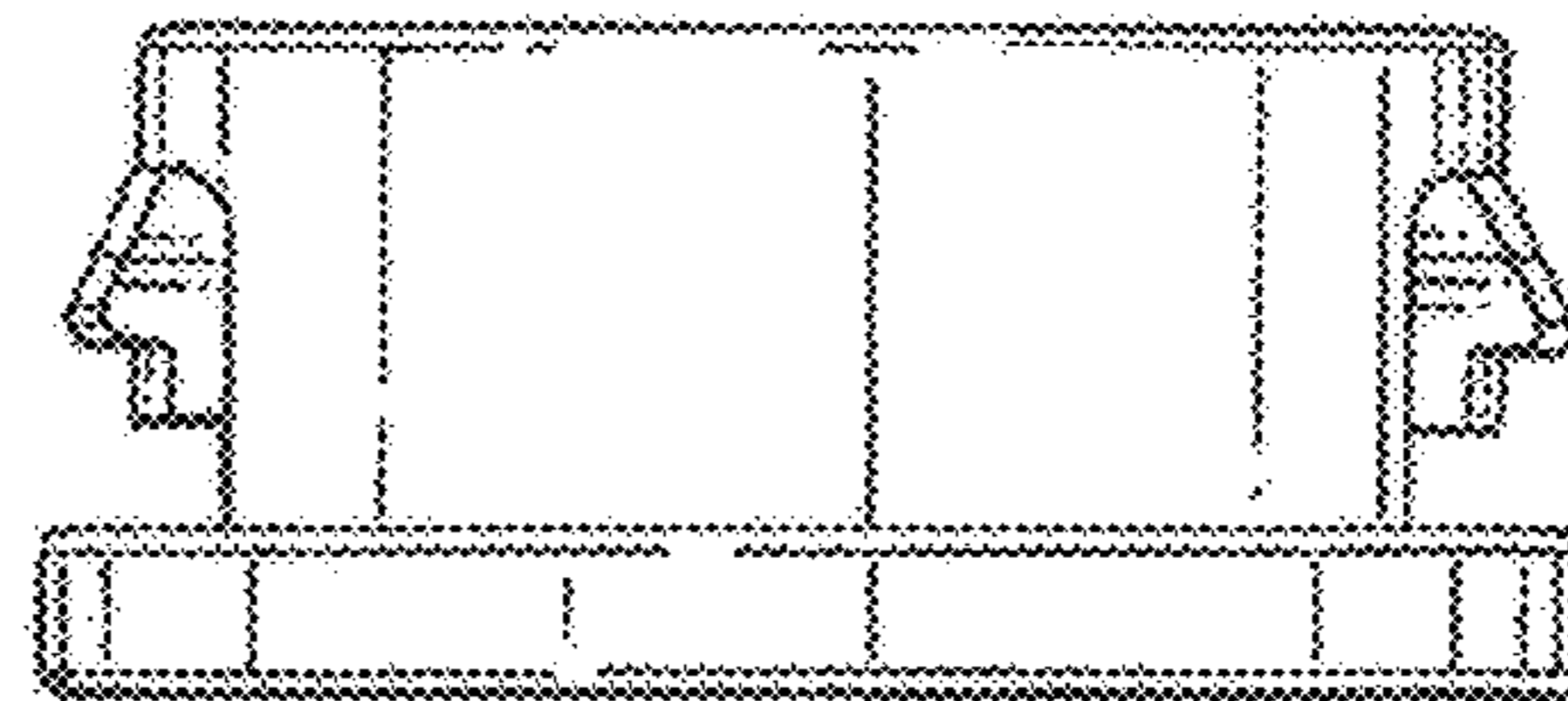
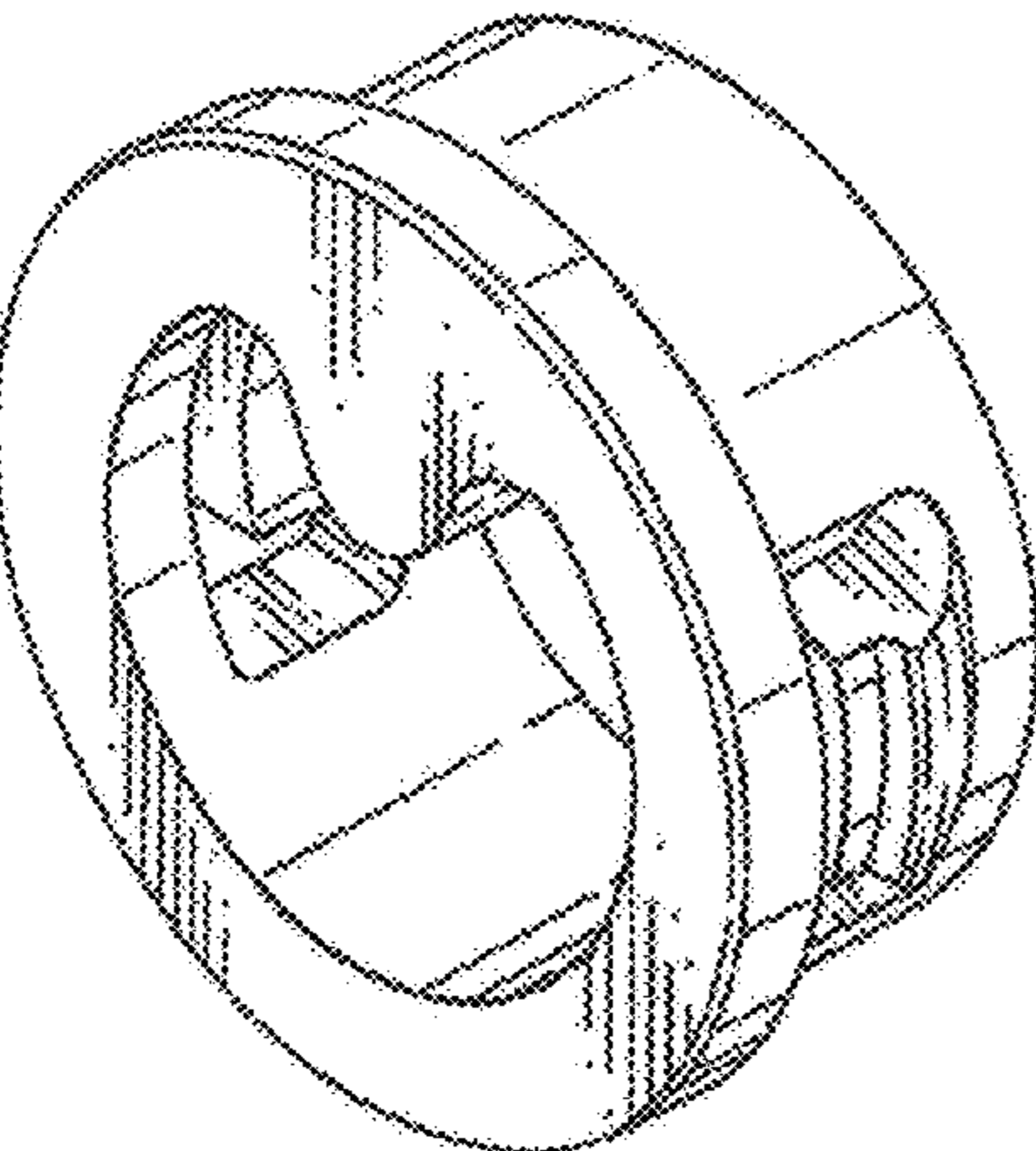
(57) **CLAIM**

The ornamental design for a cable armor stop, as shown and described.

**DESCRIPTION**

FIG. 1 is a top front perspective view of a cable armor stop showing my new design.  
FIG. 2 is a top view thereof, the bottom view being identical thereto.  
FIG. 3 is a right side view thereof, the left side view being a mirror image thereof.  
FIG. 4 is a front view thereof; and,  
FIG. 5 is a rear view thereof.

**1 Claim, 1 Drawing Sheet**



- Related U.S. Application Data**
- (62) Division of application No. 29/554,620, filed on Feb. 12, 2016, now Pat. No. Des. 815,604.
  - (51) **LOC (11) Cl.** ..... **13-03**
  - (52) **U.S. Cl.**  
USPC ..... **D13/155**; D13/154
  - (58) **Field of Classification Search**  
USPC ..... D13/133, 146, 147, 154, 155, 184, 199  
CPC ..... H02G 3/04; H02G 3/0481; H02G 3/06;  
H02G 3/18; H02G 3/22; H02G 15/00;  
H01R 4/26; H01R 4/56; H01R 4/64;  
H01R 4/66; H01R 13/62; H01R 13/648;  
F16B 33/00
- See application file for complete search history.

(56) **References Cited**  
**U.S. PATENT DOCUMENTS**

- 1,816,668 A 7/1931 Church
- 2,490,253 A 12/1949 Buchanan
- 2,506,398 A 5/1950 Thomas, Jr.
- 2,600,371 A 6/1952 Bergan
- 2,657,251 A 10/1953 Bergan
- 3,006,981 A 10/1961 Weber
- 5,315,684 A 5/1994 Szegda
- 6,299,485 B1 10/2001 Marik

(56)

**References Cited**

U.S. PATENT DOCUMENTS

D689,436	S	9/2013	Sun	
8,622,768	B2	1/2014	Van Swearingen et al.	
8,791,374	B1	7/2014	Smith	
D749,047	S	2/2016	Smith	
D771,569	S	11/2016	Smith	
D788,043	S	5/2017	Smith	
9,705,256	B1 *	7/2017	Smith	..... H01R 13/648
D815,604	S *	4/2018	Smith	..... D13/155
2017/0256931	A1	9/2017	Smith	

OTHER PUBLICATIONS

“Arlington Industries Snap2It Connectors with Insulated Throat,” CableOrganizer.com, Dec. 23, 2008; <https://web.archive.org/web/20081223042736/http://cableorganizer.com/arlington-industries/snap-2it-connectors.html>; whole document.

“NEER C550,” McNaughton-McKay, mc-mc.com, accessed: Sep. 2015; [https://www.mc-mc.com/2497818/Product/Appleton\\_Group\\_C550](https://www.mc-mc.com/2497818/Product/Appleton_Group_C550); whole document.

\* cited by examiner

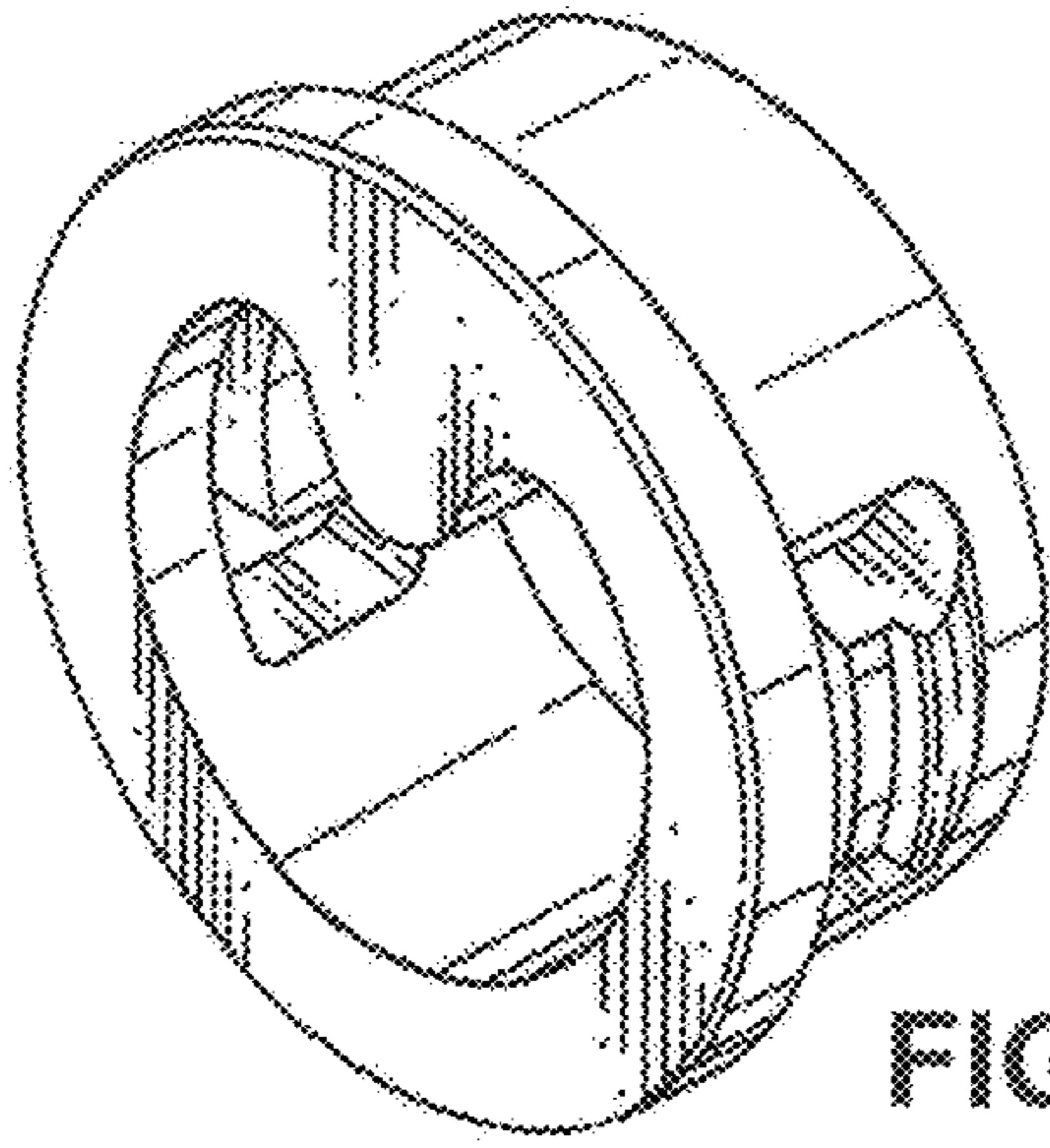


FIG. 1

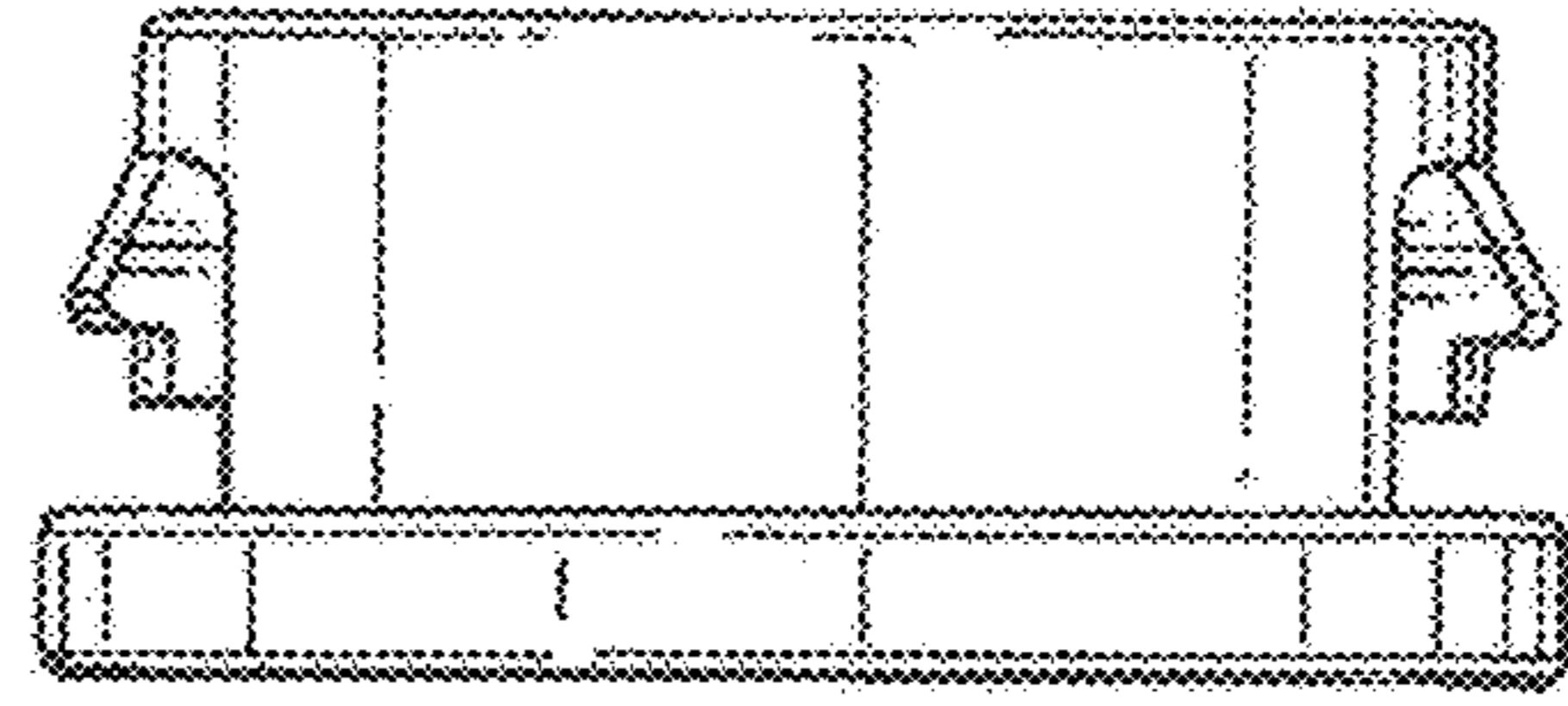


FIG. 2

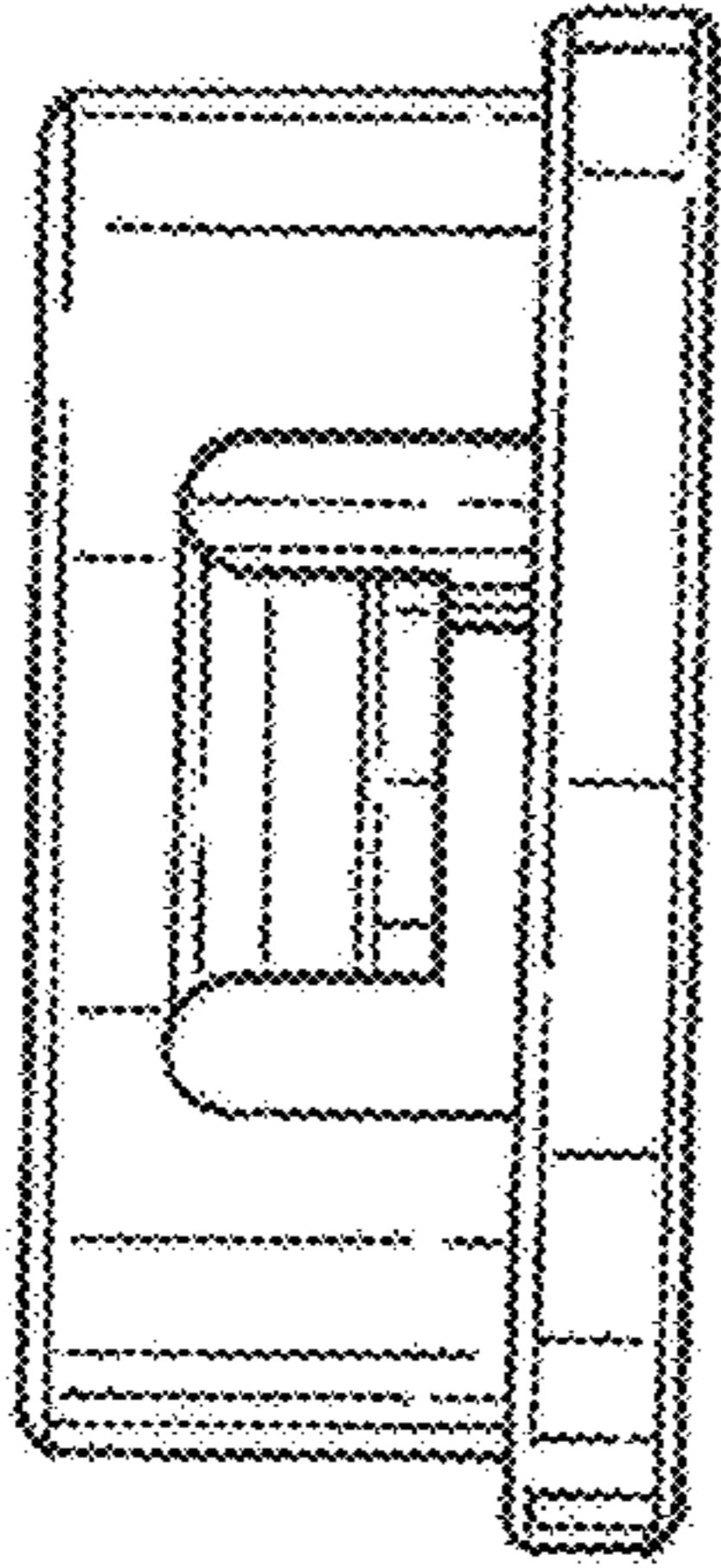


FIG. 3

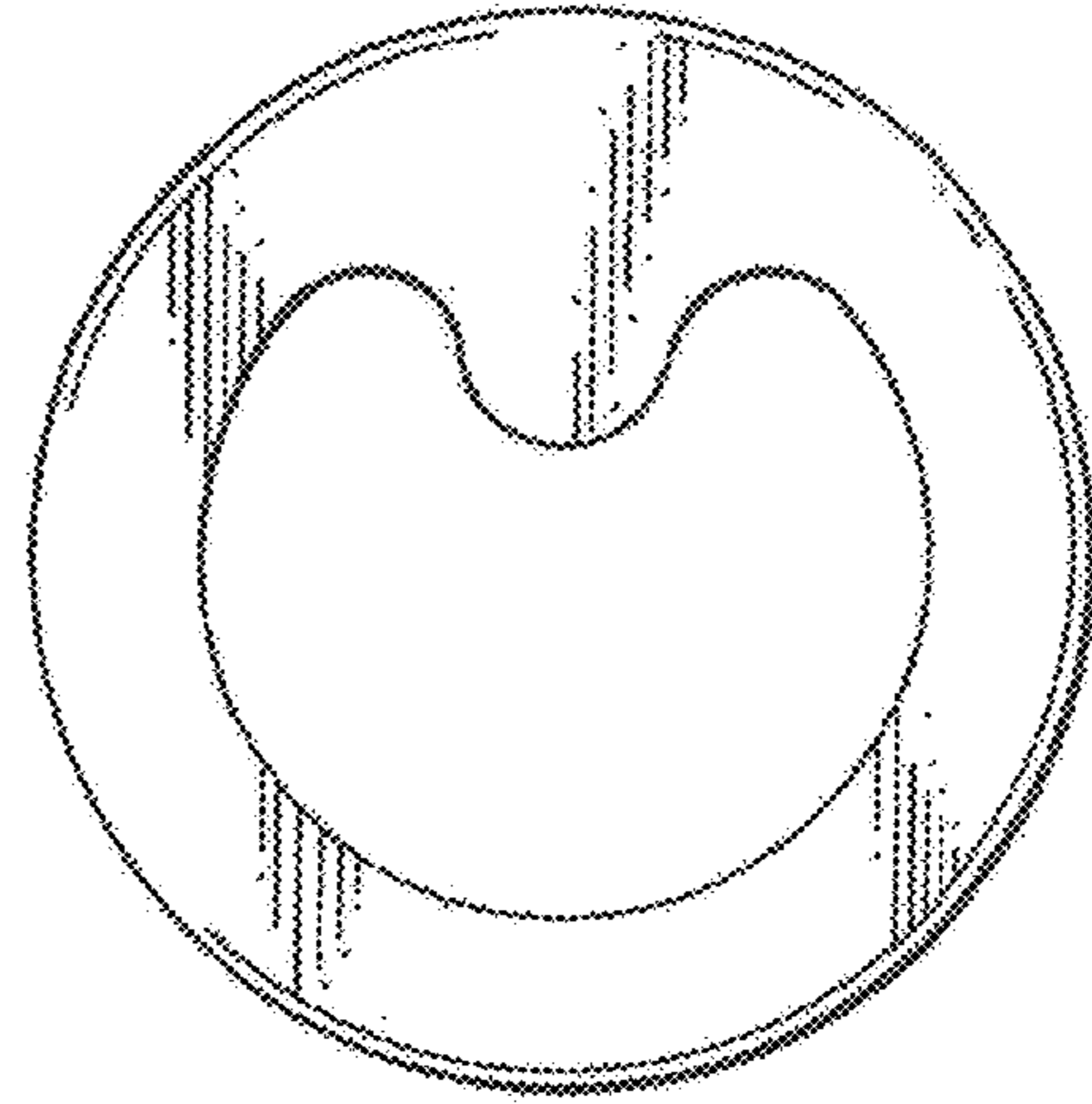


FIG. 4

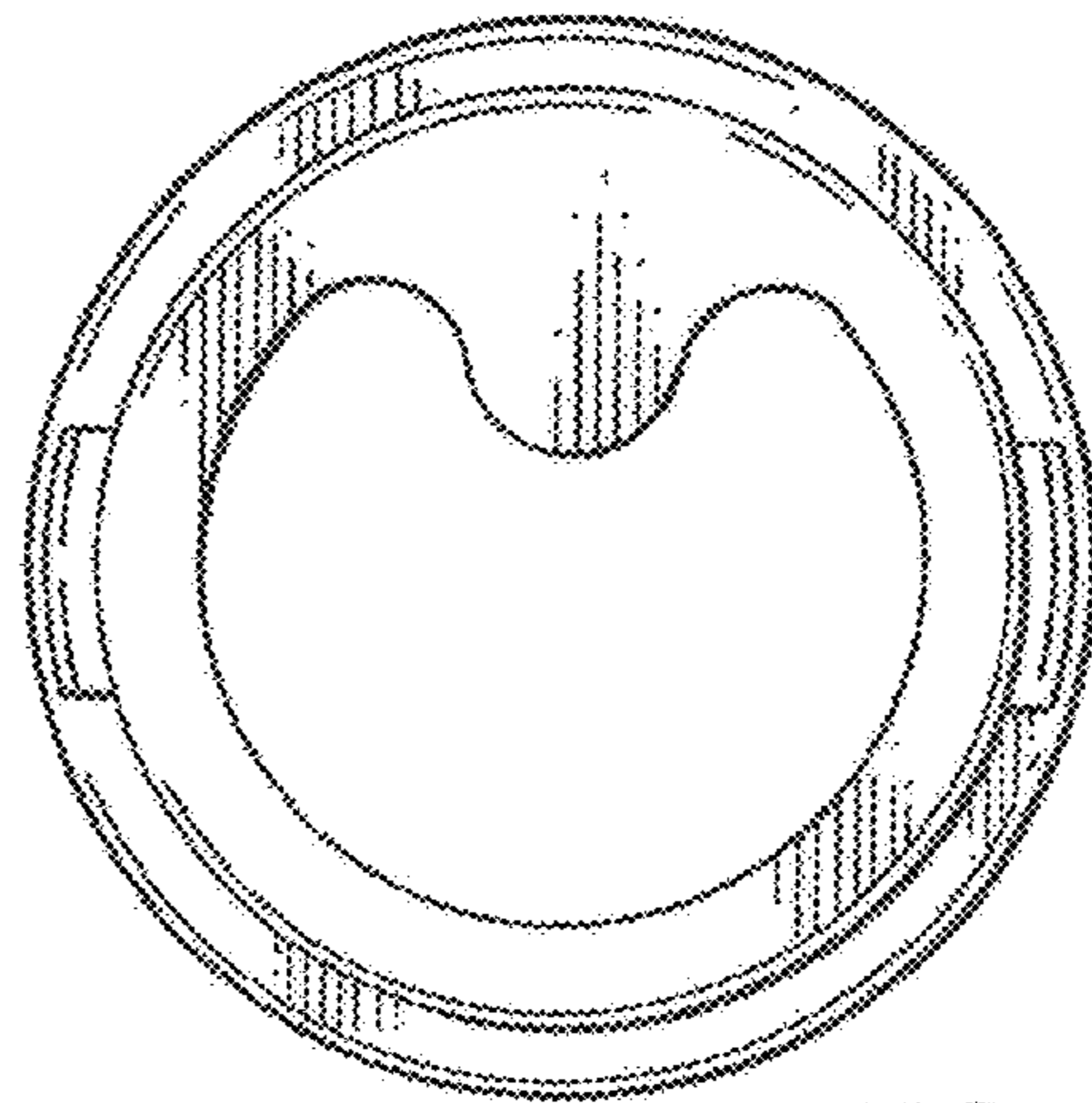


FIG. 5