



US00D828307S

(12) **United States Design Patent** (10) **Patent No.:** **US D828,307 S**  
**Ashibu** (45) **Date of Patent:** **\*\* Sep. 11, 2018**

(54) **ELECTRICAL CONNECTOR**

(56) **References Cited**

(71) Applicant: **JAPAN AVIATION ELECTRONICS INDUSTRY, LIMITED**, Tokyo (JP)

U.S. PATENT DOCUMENTS

(72) Inventor: **Kenta Ashibu**, Tokyo (JP)

D683,317 S	5/2013	Nishimura et al.	
D684,120 S *	6/2013	Miyazaki .....	D13/147
D688,210 S *	8/2013	Mashiyama .....	D13/147
D695,691 S	12/2013	Kobuchi et al.	
D721,040 S *	1/2015	Watanabe .....	D13/147
D735,674 S *	8/2015	Miyazaki .....	D13/147
D739,826 S *	9/2015	Omodachi .....	D13/147
9,331,410 B2 *	5/2016	Obikane .....	H01R 13/02
D774,463 S	12/2016	Omodachi et al.	
D774,464 S	12/2016	Takenaga et al.	
D793,342 S *	8/2017	Ashibu .....	D13/147
9,899,771 B2 *	2/2018	Ashibu .....	H01R 13/631

(73) Assignee: **Japan Aviation Electronics Industry, Limited**, Tokyo (JP)

(\*\*) Term: **15 Years**

(21) Appl. No.: **29/602,574**

\* cited by examiner

(22) Filed: **May 2, 2017**

(30) **Foreign Application Priority Data**

Nov. 21, 2016 (JP) ..... 2016-025309

(51) **LOC (11) Cl.** ..... **13-03**

(52) **U.S. Cl.**  
USPC ..... **D13/147**

(58) **Field of Classification Search**

USPC ..... D13/123, 133, 146, 147, 154, 184, 199  
CPC ..... H01R 12/55; H01R 12/58; H01R 12/592;  
H01R 12/616; H01R 12/70; H01R 12/7076;  
H01R 12/71; H01R 12/716; H01R 12/718;  
H01R 12/72; H01R 12/73; H01R 12/737;  
H01R 12/777; H01R 12/778; H01R 12/79;  
H01R 12/51; H01R 12/52; H01R 12/57;  
H01R 12/61; H01R 12/63; H01R 12/7005;  
H01R 13/585; H01R 13/6271; H01R 13/635;  
H01R 13/6587; H01R 13/6588; H01R 13/659;  
H01R 13/6594; H01R 13/66

See application file for complete search history.

*Primary Examiner* — Daniel Bui

(74) *Attorney, Agent, or Firm* — Cermak Nakajima & McGowan LLP; Tomoko Nakajima

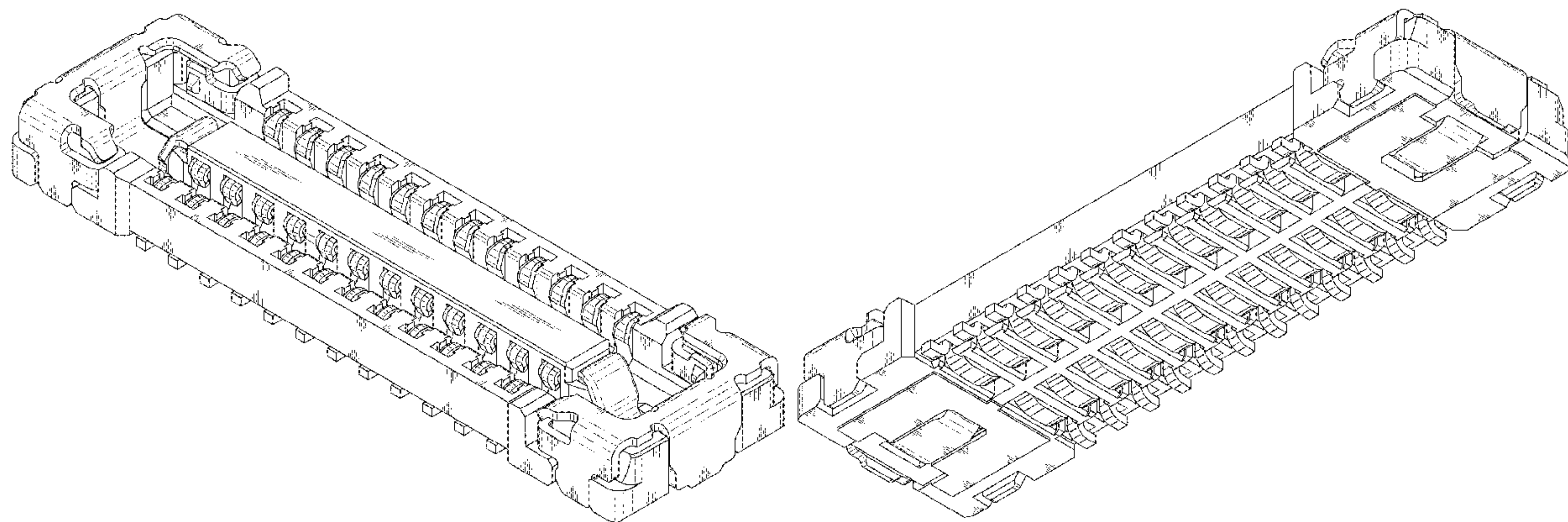
(57) **CLAIM**

The ornamental design for an electrical connector, as shown and described.

**DESCRIPTION**

FIG. 1 is a front elevational view of an electrical connector showing my new design;  
FIG. 2 is a top plan view thereof;  
FIG. 3 is a right side elevational view thereof;  
FIG. 4 is a left side elevational view thereof;  
FIG. 5 is a rear elevational view thereof;  
FIG. 6 is a bottom plan view thereof;  
FIG. 7 is a top perspective view thereof;  
FIG. 8 is a bottom perspective view thereof;  
FIG. 9 is a cross-sectional view thereof taken along the line 9-9 shown in FIG. 2; and,  
FIG. 10 is an enlarged view of area "10" shown in FIG. 2.

**1 Claim, 10 Drawing Sheets**



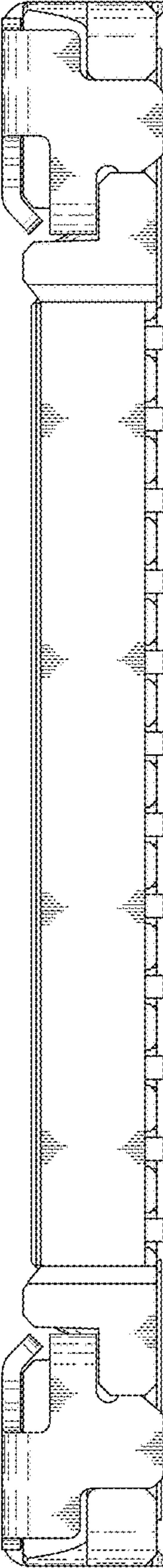


FIG.1

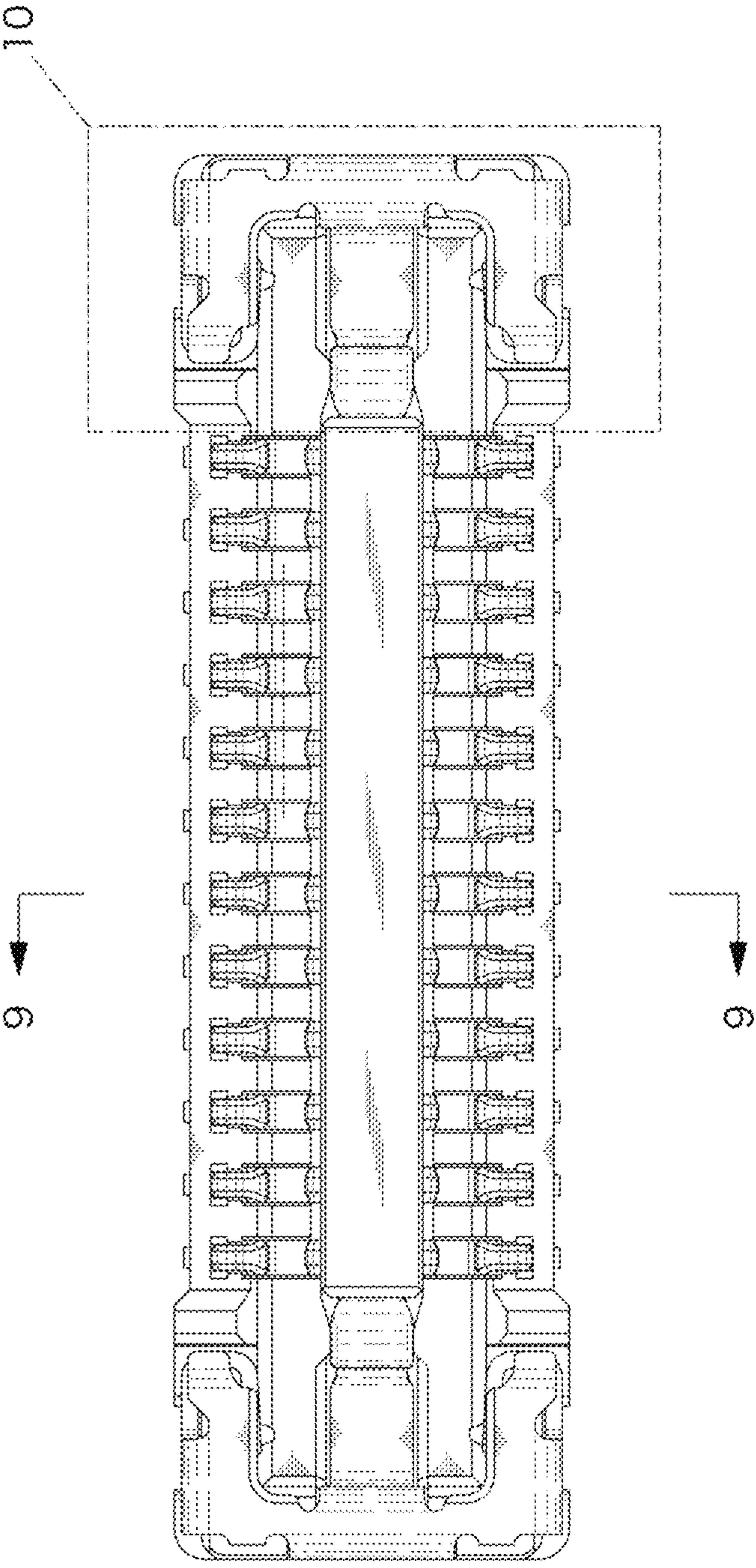


FIG.2

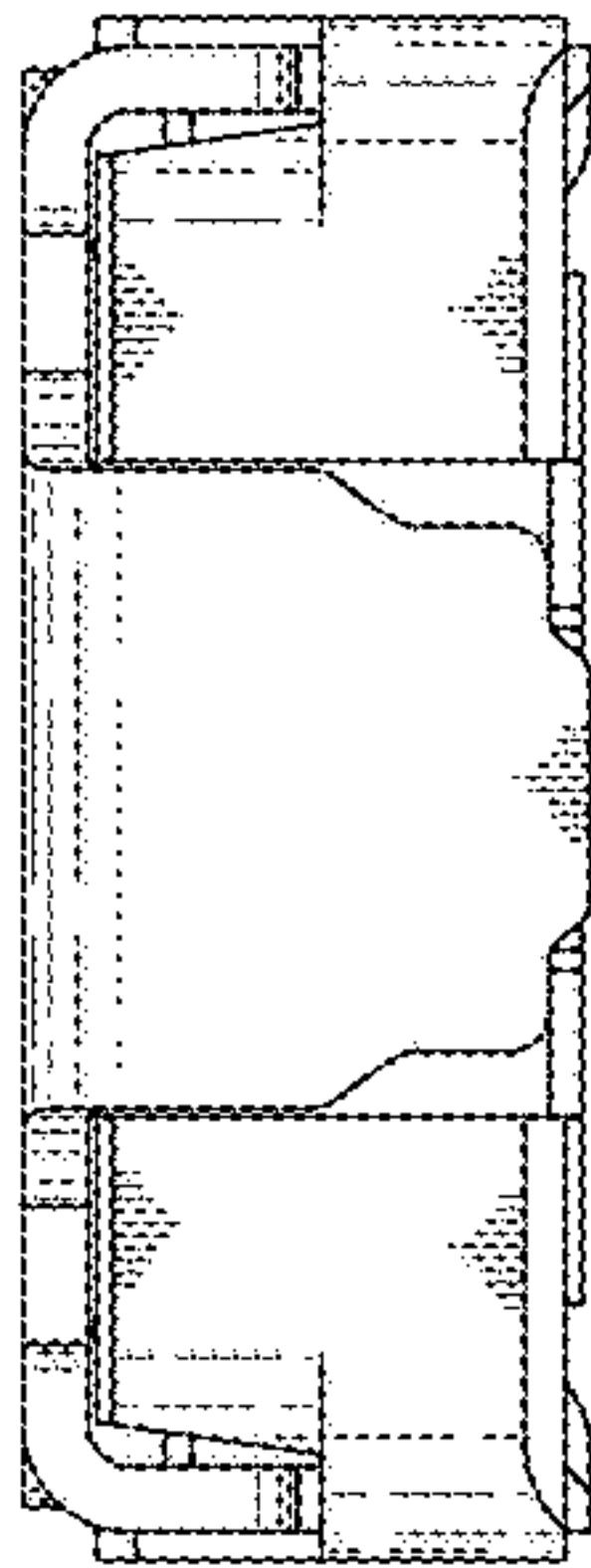


FIG.3

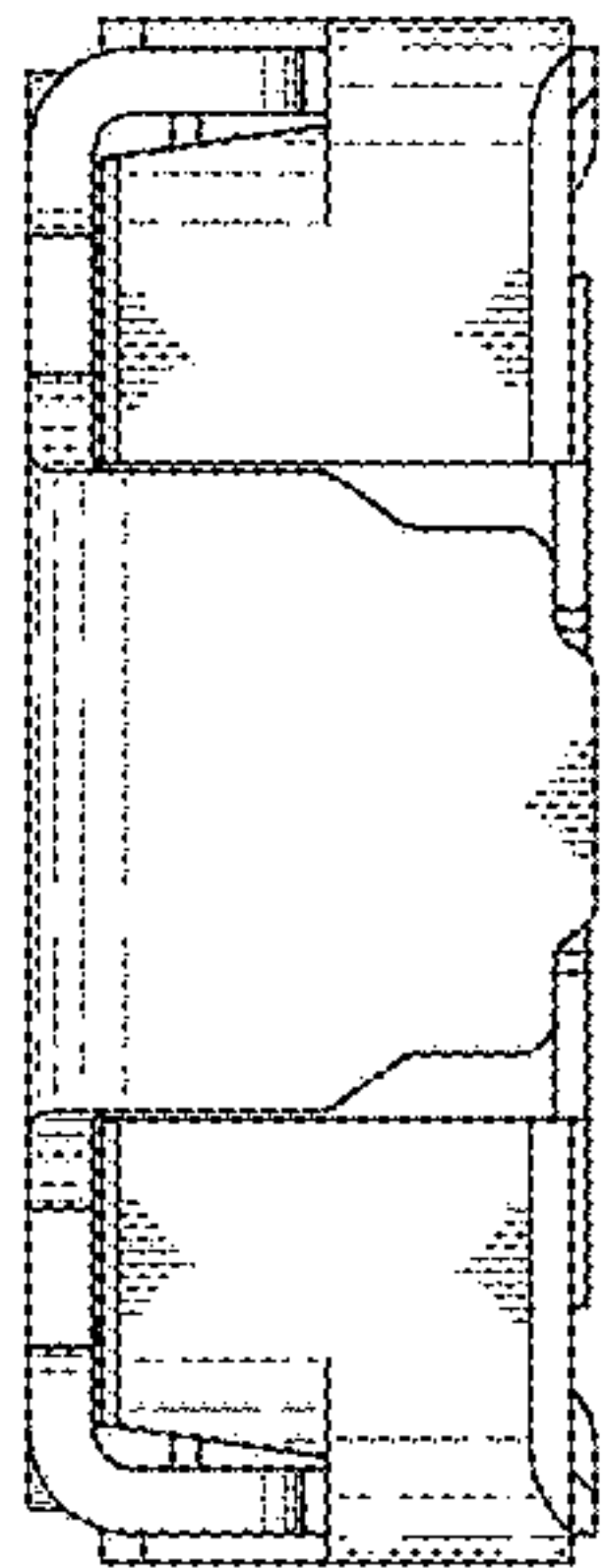


FIG.4



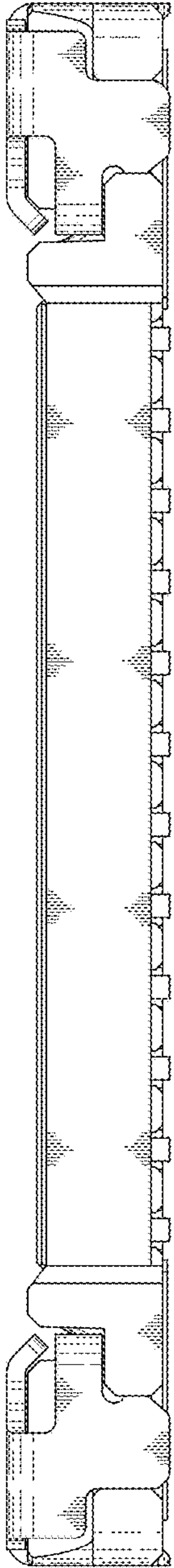


FIG.5

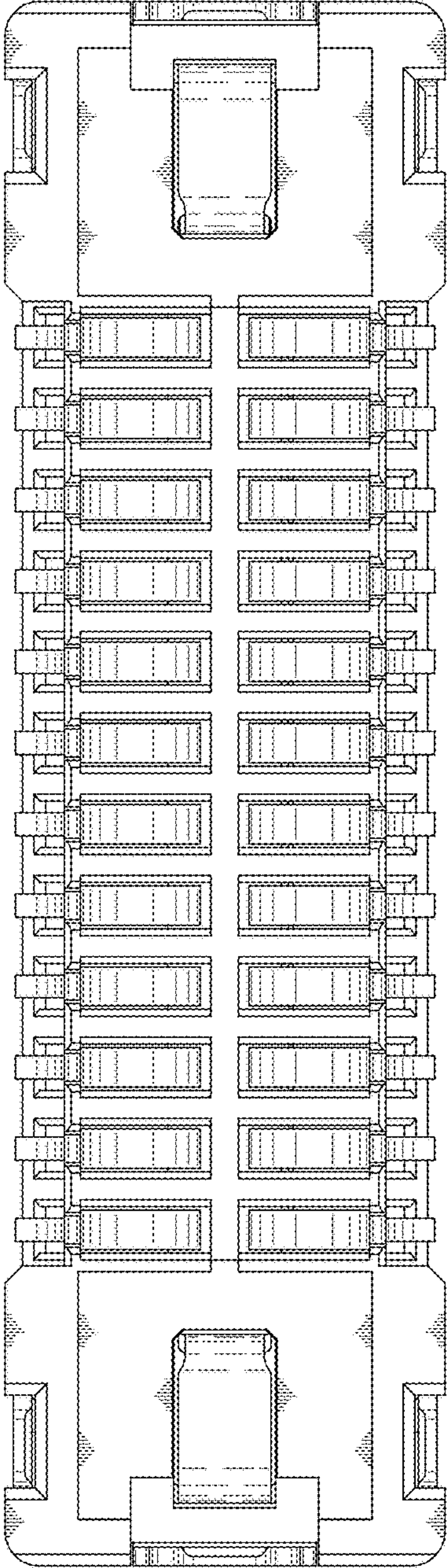


FIG.6

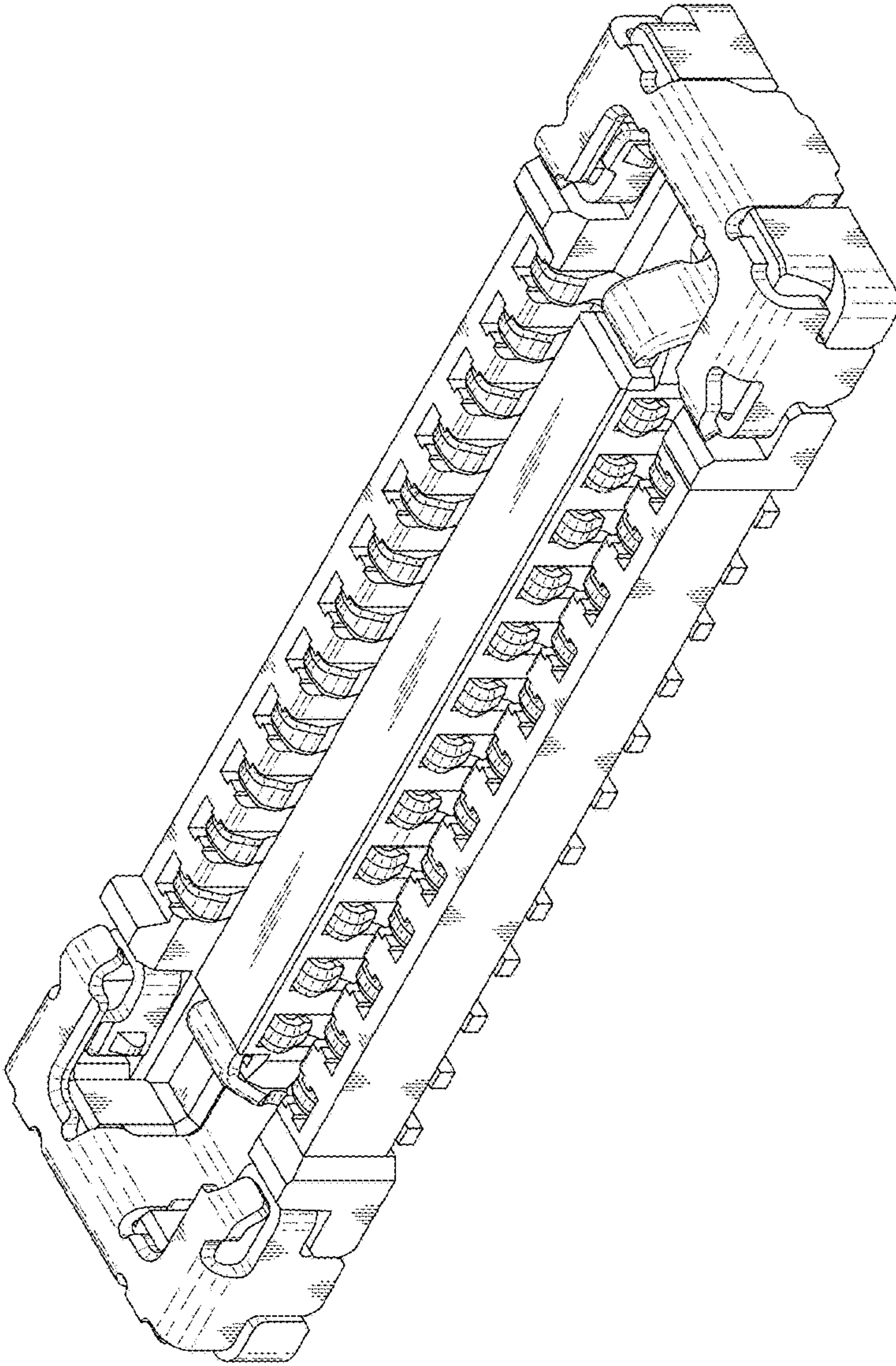


FIG.7



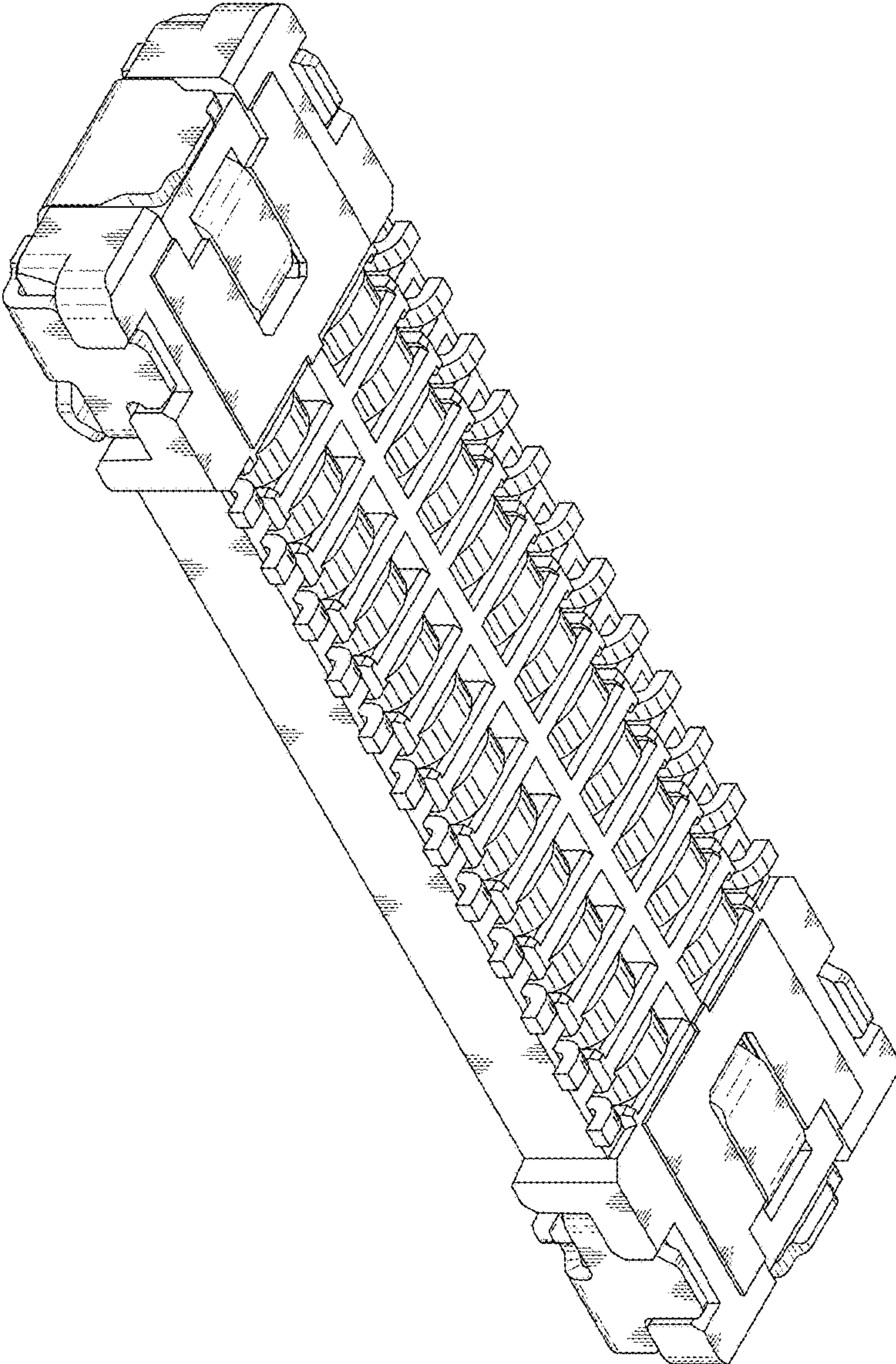


FIG.8

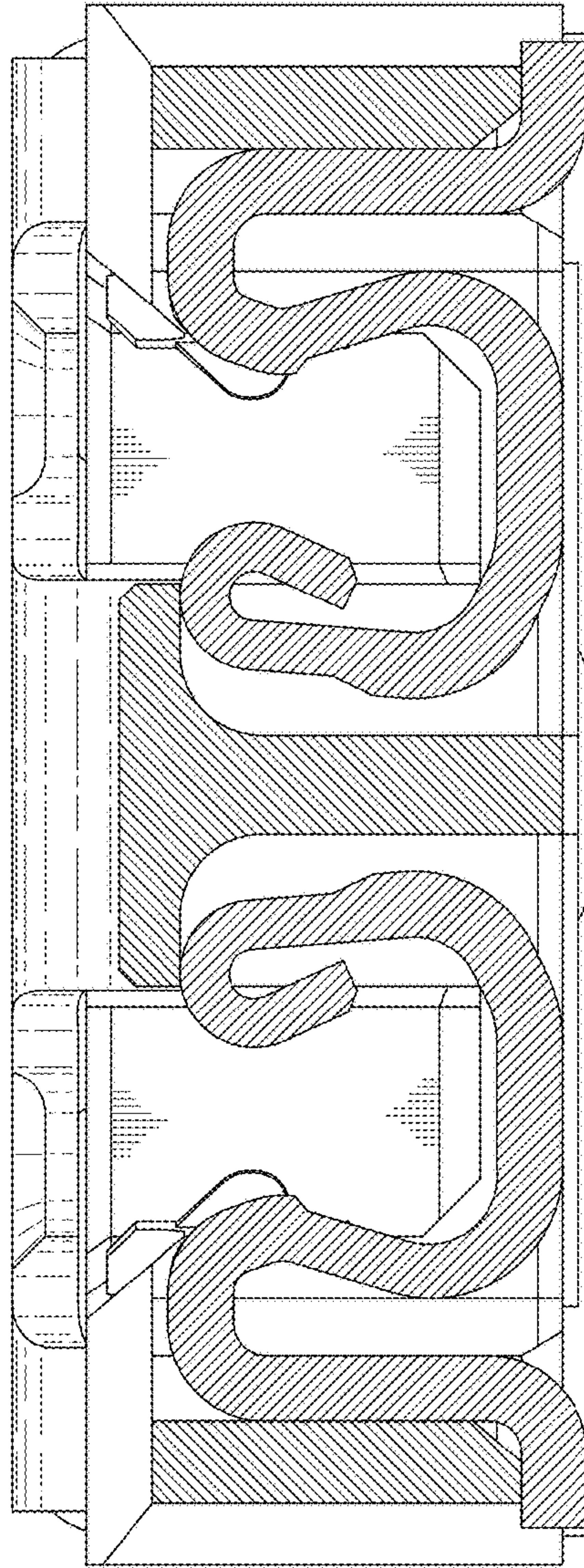


FIG.9

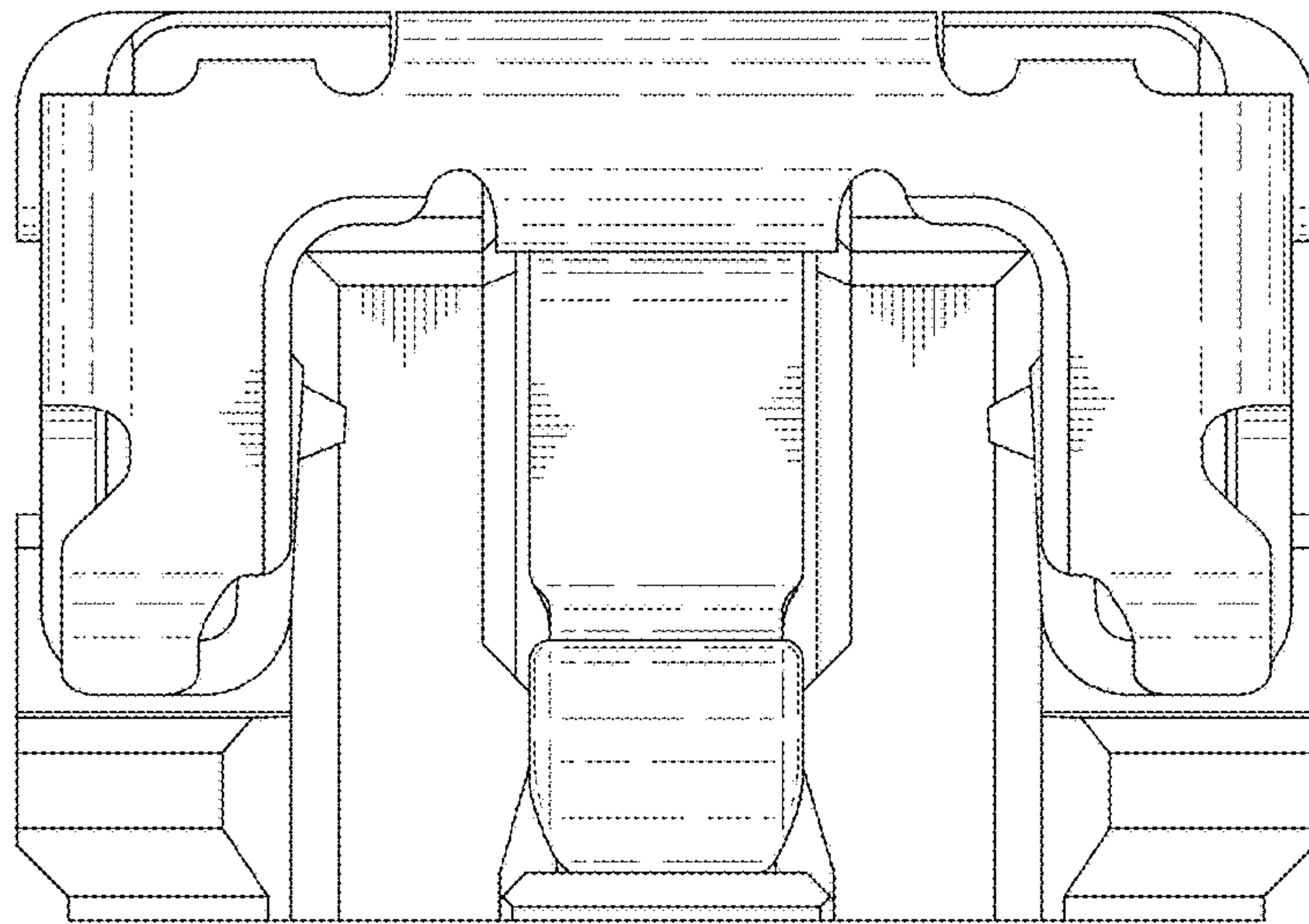


FIG.10