



US00D828306S

(12) **United States Design Patent** (10) **Patent No.:** **US D828,306 S**
Horino et al. (45) **Date of Patent:** **** Sep. 11, 2018**

(54) **ELECTRIC CONNECTOR**
(71) Applicant: **KYOCERA Corporation**, Kyoto-shi, Kyoto (JP)
(72) Inventors: **Shintaro Horino**, Santa Clara, CA (US); **Genta Yamazaki**, Sagamihara (JP)
(73) Assignee: **KYOCERA Corporation**, Kyoto-shi, Kyoto (JP)
(**) Term: **15 Years**

(21) Appl. No.: **29/596,102**
(22) Filed: **Mar. 6, 2017**

(30) **Foreign Application Priority Data**
Oct. 3, 2016 (JP) 2016-021498
(51) **LOC (11) Cl.** **13-03**
(52) **U.S. Cl.**
USPC **D13/147**
(58) **Field of Classification Search**
USPC D13/118, 120, 123, 133, 146, 147, 149, D13/154, 173, 184, 199; D14/432, 433, D14/435, 435.1, 436, 437, 438
CPC H01R 12/00; H01R 12/50; H01R 12/52; H01R 12/57; H01R 12/62; H01R 12/65; H01R 12/70; H01R 12/71; H01R 12/73; H01R 13/02; H01R 13/04; H01R 13/52; H01R 13/62; H01R 13/627; H01R 13/65; H01R 24/00; H01R 24/28
See application file for complete search history.

(56) **References Cited**
U.S. PATENT DOCUMENTS
D578,481 S * 10/2008 Lee D13/147
D582,858 S * 12/2008 Hoshino D13/147
D603,801 S * 11/2009 Obikane D13/147

D793,342 S * 8/2017 Ashibu D13/147
D797,677 S * 9/2017 Ozeki D13/147
D810,694 S * 2/2018 Horino D13/147
2006/0035489 A1 * 2/2006 Goto H01R 12/716
439/74
2008/0139019 A1 * 6/2008 Shiu H01R 12/716
439/83
2013/0023162 A1 * 1/2013 Harlan H01R 12/73
439/660
2015/0079818 A1 * 3/2015 Ozeki H01R 12/73
439/81
2015/0207248 A1 * 7/2015 Takenaga H01R 12/716
439/74
2017/0033505 A1 * 2/2017 Ozeki H01R 12/716
2017/0093061 A1 * 3/2017 Lee H01R 12/707

* cited by examiner

Primary Examiner — Angela J Lee
Assistant Examiner — Shawn T Gingrich
(74) *Attorney, Agent, or Firm* — Kenja IP Law PC

(57) **CLAIM**
The ornamental design for an electric connector, as shown and described.

DESCRIPTION
FIG. 1 is a bottom perspective view of an electric connector showing our new design;
FIG. 2 is a top perspective view thereof;
FIG. 3 is a front view thereof; a rear view thereof being a same image;
FIG. 4 is a top view thereof;
FIG. 5 is a right side view thereof; a left side view thereof being a mirror image;
FIG. 6 is a bottom view thereof;
FIG. 7 is a sectional view thereof taken along line 7-7 in FIG. 3;
FIG. 8 is a sectional view thereof taken along line 8-8 in FIG. 3; and,
FIG. 9 is a sectional view thereof taken along line 9-9 in FIG. 6.

1 Claim, 9 Drawing Sheets

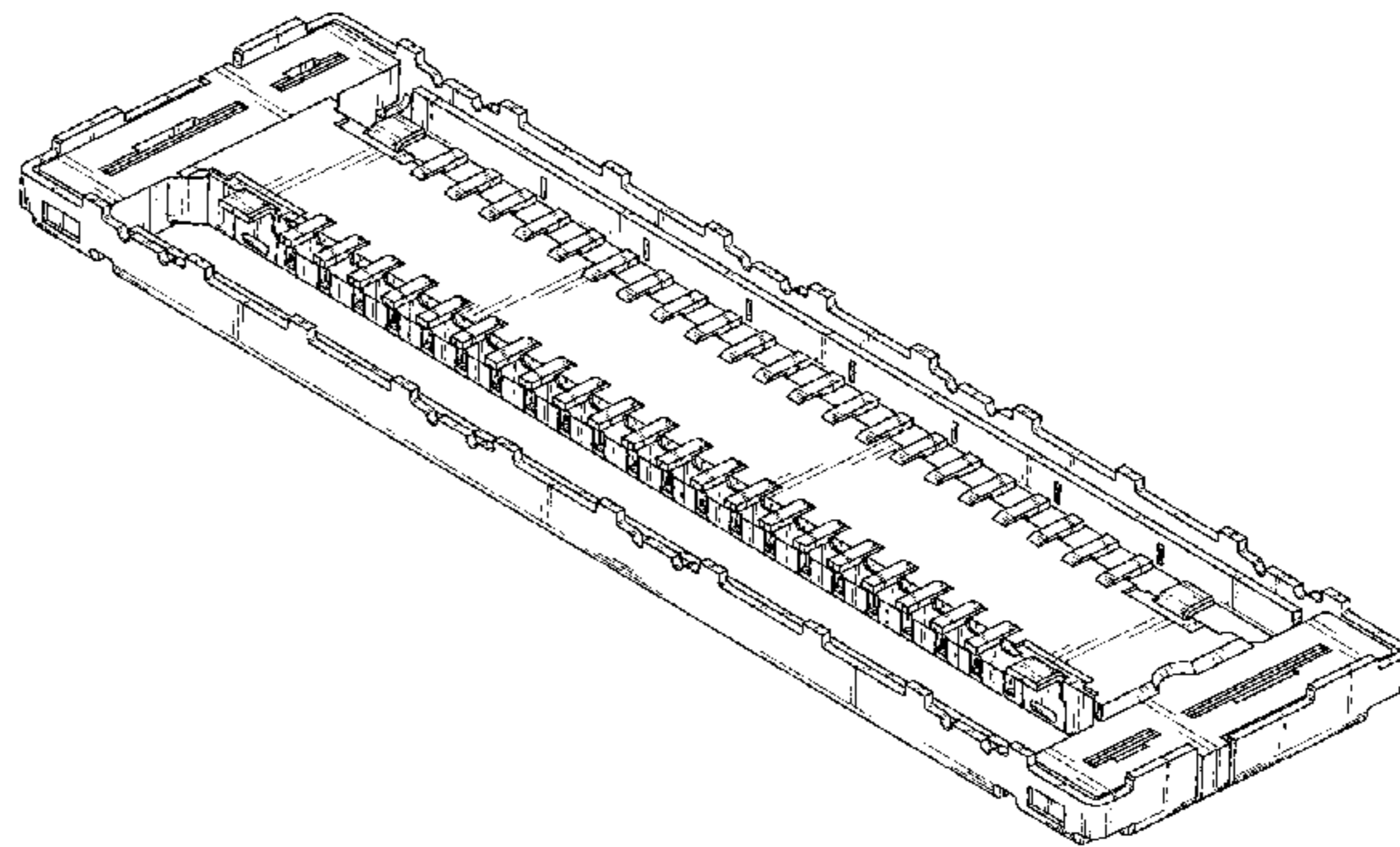
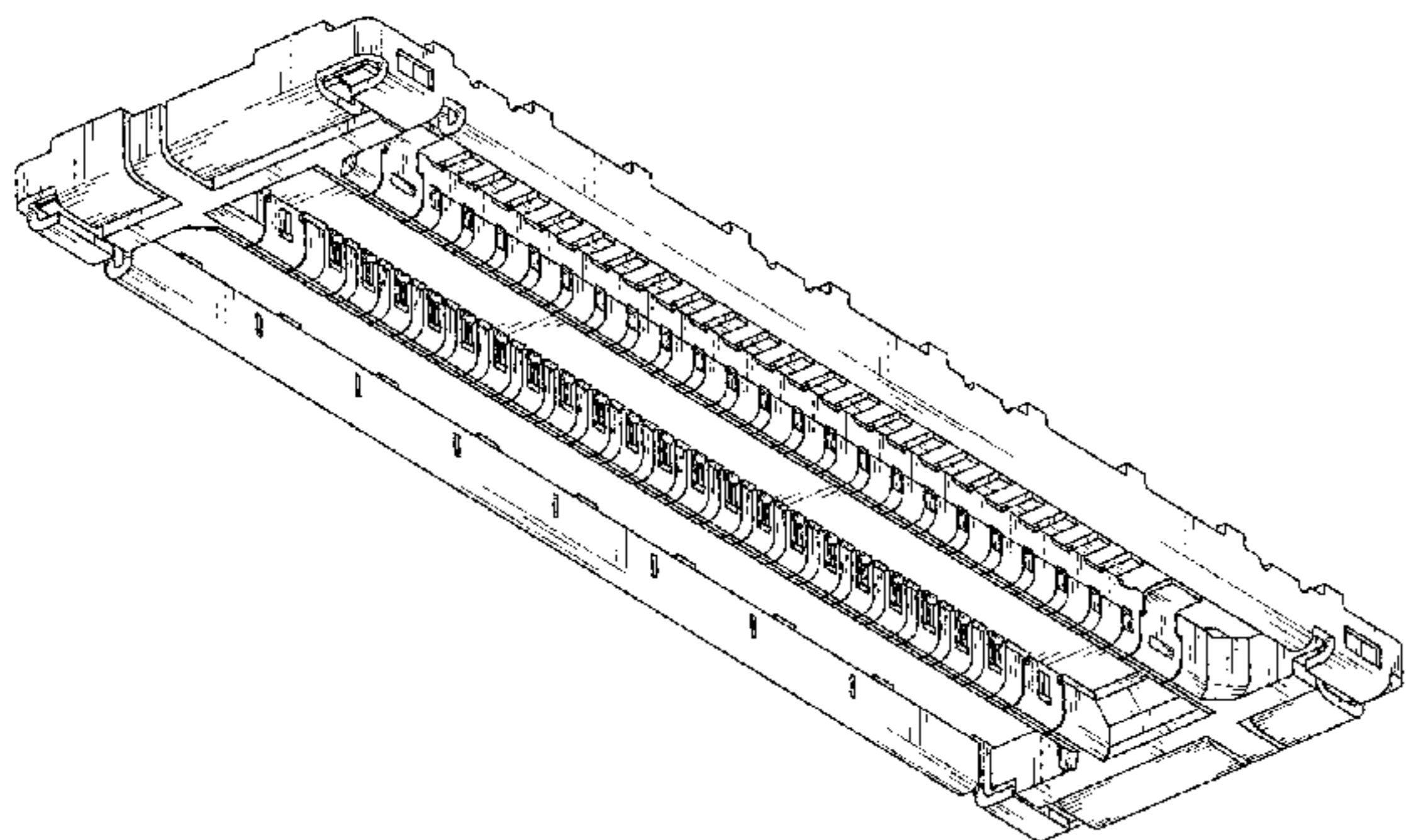


FIG. 1

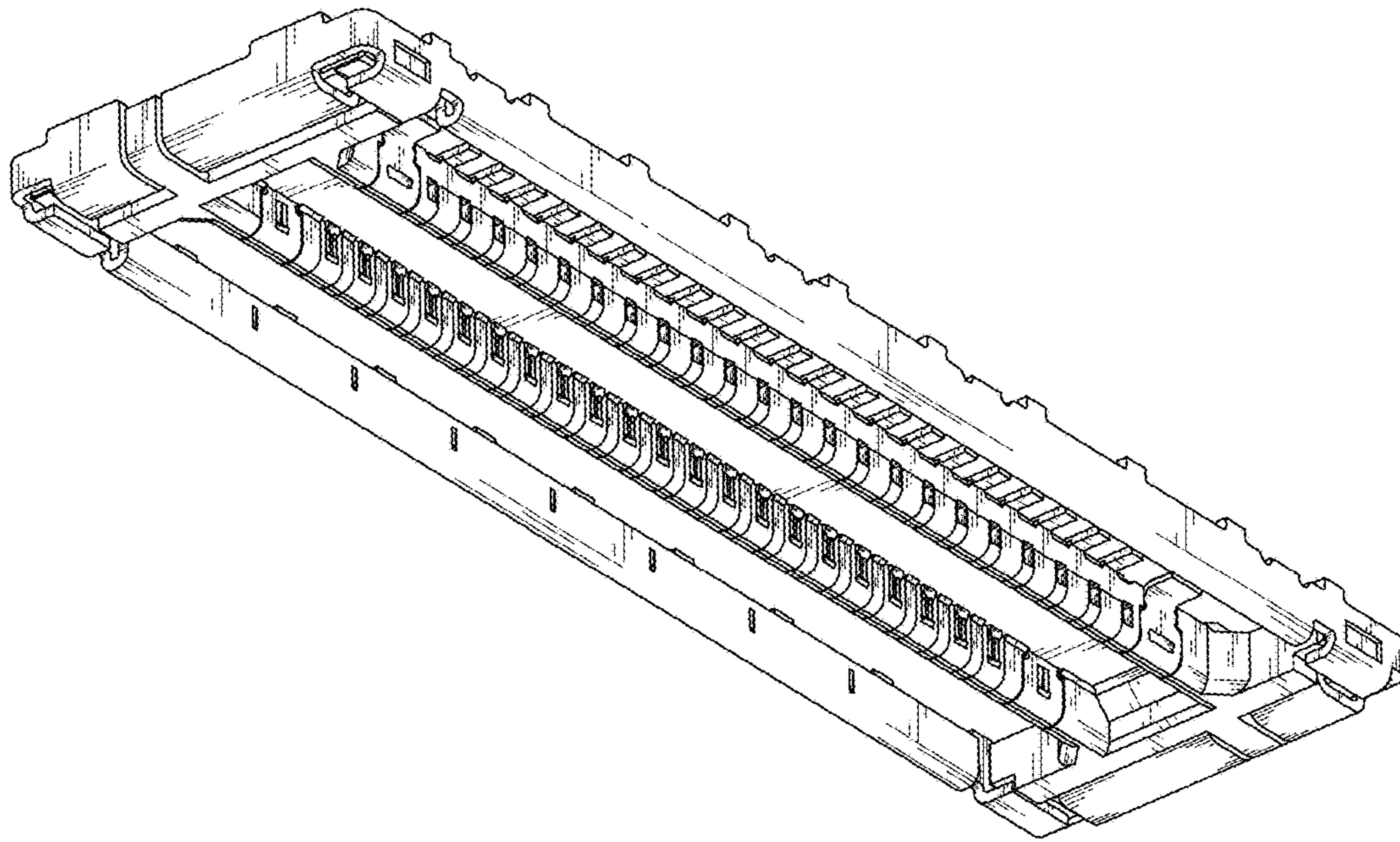


FIG. 2

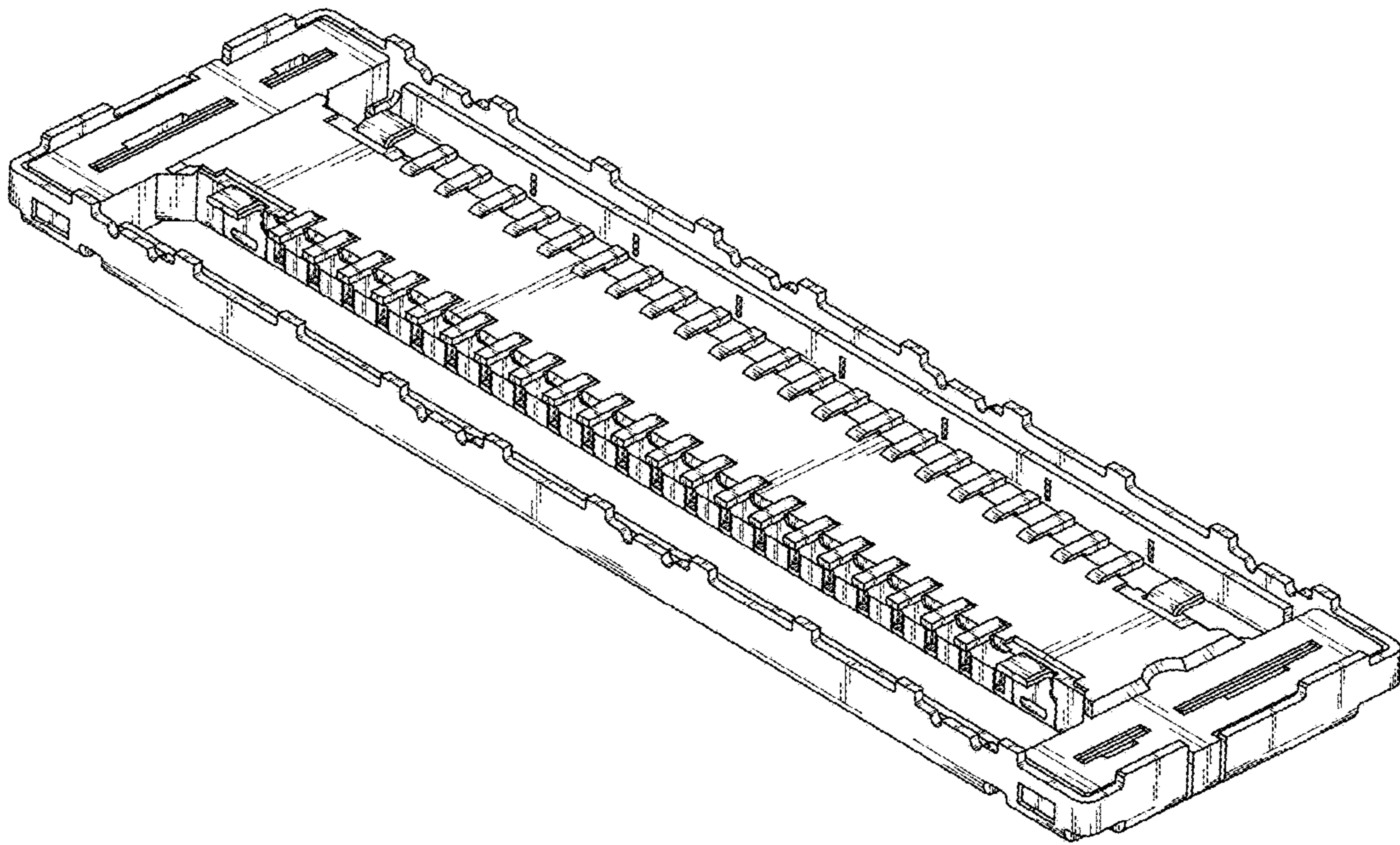


FIG. 3

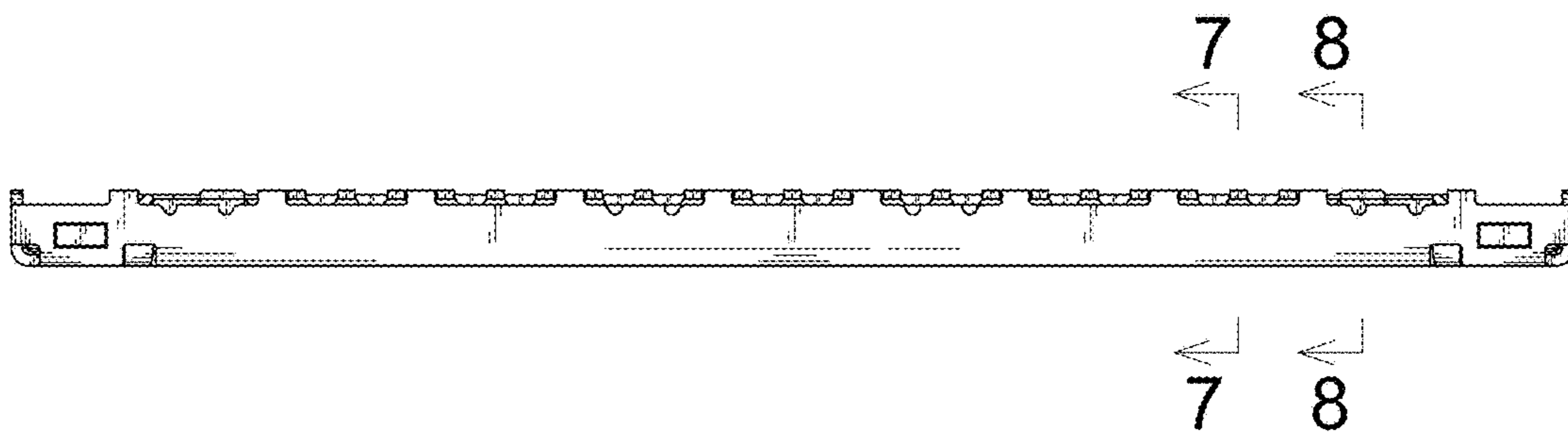


FIG. 4

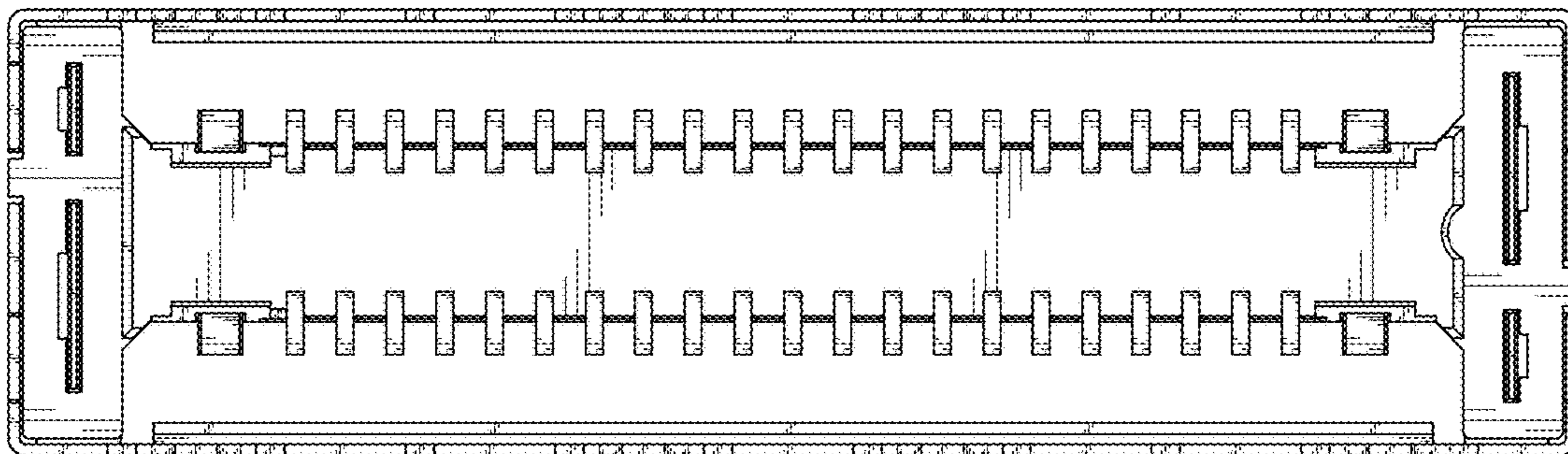


FIG. 5

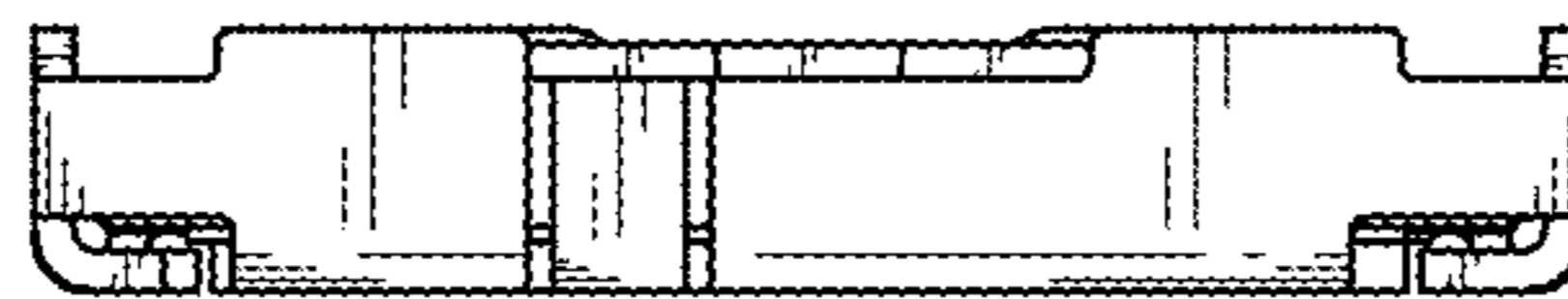


FIG. 6

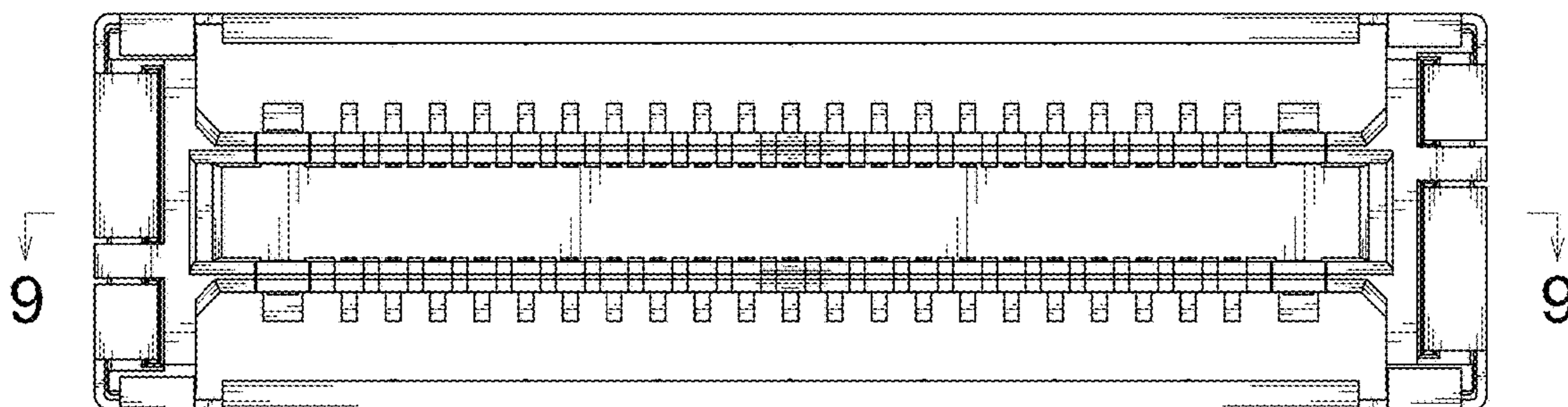


FIG. 7

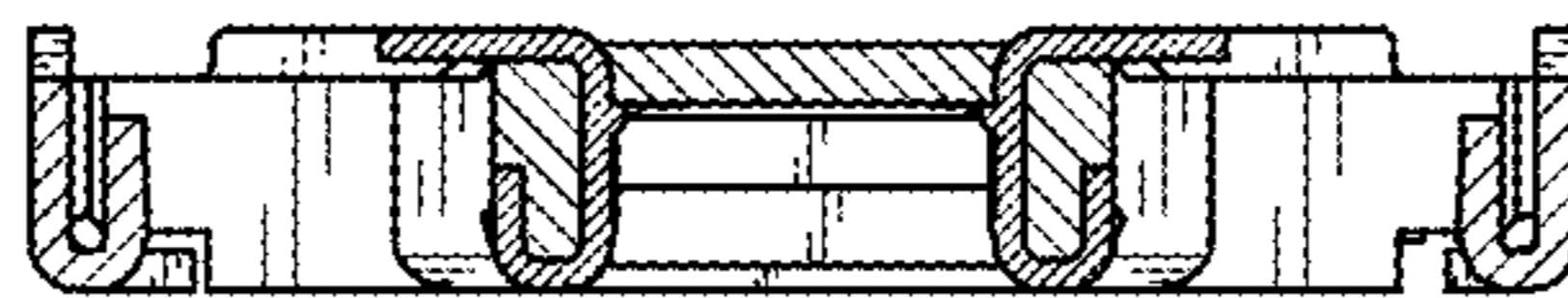


FIG. 8

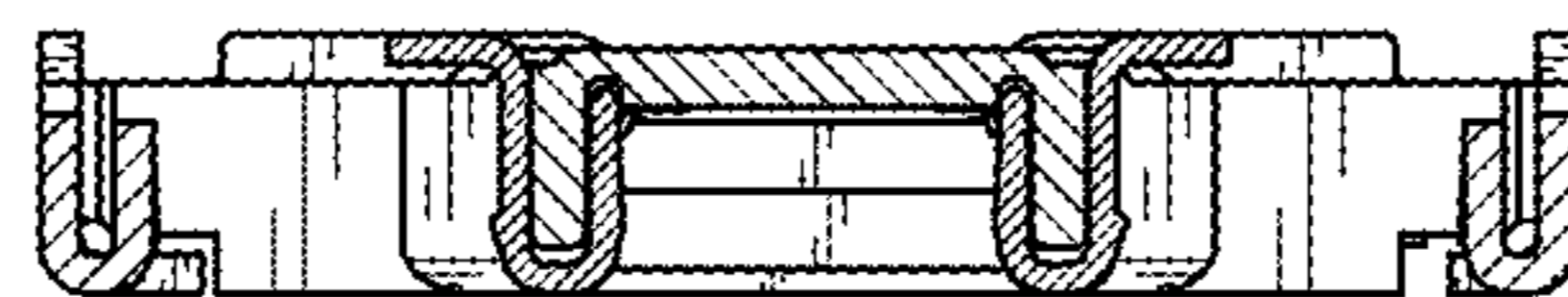


FIG. 9

