



US00D828305S

(12) **United States Design Patent**
Tsai et al.

(10) **Patent No.:** **US D828,305 S**

(45) **Date of Patent:** **** Sep. 11, 2018**

(54) **WATERPROOF RECEPTACLE CONNECTOR**

(71) Applicant: **Advanced Connectek Inc.**, New Taipei (TW)

(72) Inventors: **Yu-Lun Tsai**, New Taipei (TW);
Pin-Yuan Hou, New Taipei (TW);
Hsien-Lung Huang, New Taipei (TW);
Hsu-Fen Wang, New Taipei (TW)

(73) Assignee: **Advanced Connectek Inc.**, New Taipei (TW)

(**) Term: **15 Years**

(21) Appl. No.: **29/581,702**

(22) Filed: **Oct. 21, 2016**

(51) **LOC (11) Cl.** **13-03**

(52) **U.S. Cl.**
USPC **D13/147**

(58) **Field of Classification Search**
USPC D13/133, 146, 147, 154, 184, 199;
D14/433, 434, 435, 435.1, 436, 438
CPC H01R 4/02; H01R 9/03; H01R 13/516;
H01R 13/52; H01R 13/6471; H01R
13/6581; H01R 13/6585; H01R 13/6591;
H01R 13/6598; H01R 24/60; H01R
24/62; H01R 21/64

See application file for complete search history.

(56) **References Cited**

U.S. PATENT DOCUMENTS

D472,524 S * 4/2003 Yamawaki D13/147
D503,150 S * 3/2005 Yamawaki D13/147

D654,876 S * 2/2012 Wang D13/147
D744,430 S * 12/2015 Yokoyama D13/147
D775,083 S * 12/2016 Tada D13/147

* cited by examiner

Primary Examiner — Daniel Bui

(74) *Attorney, Agent, or Firm* — JCIPRNET

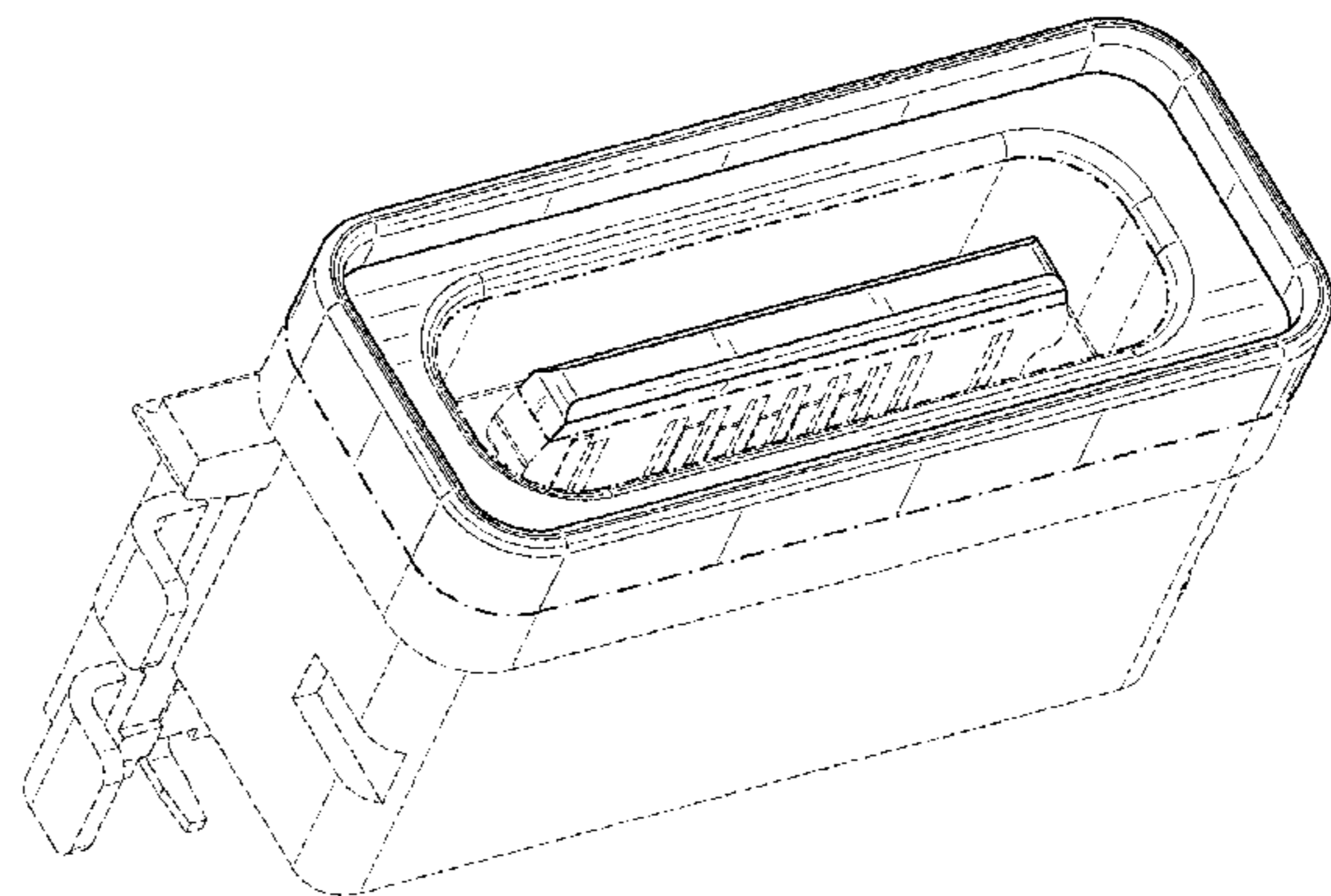
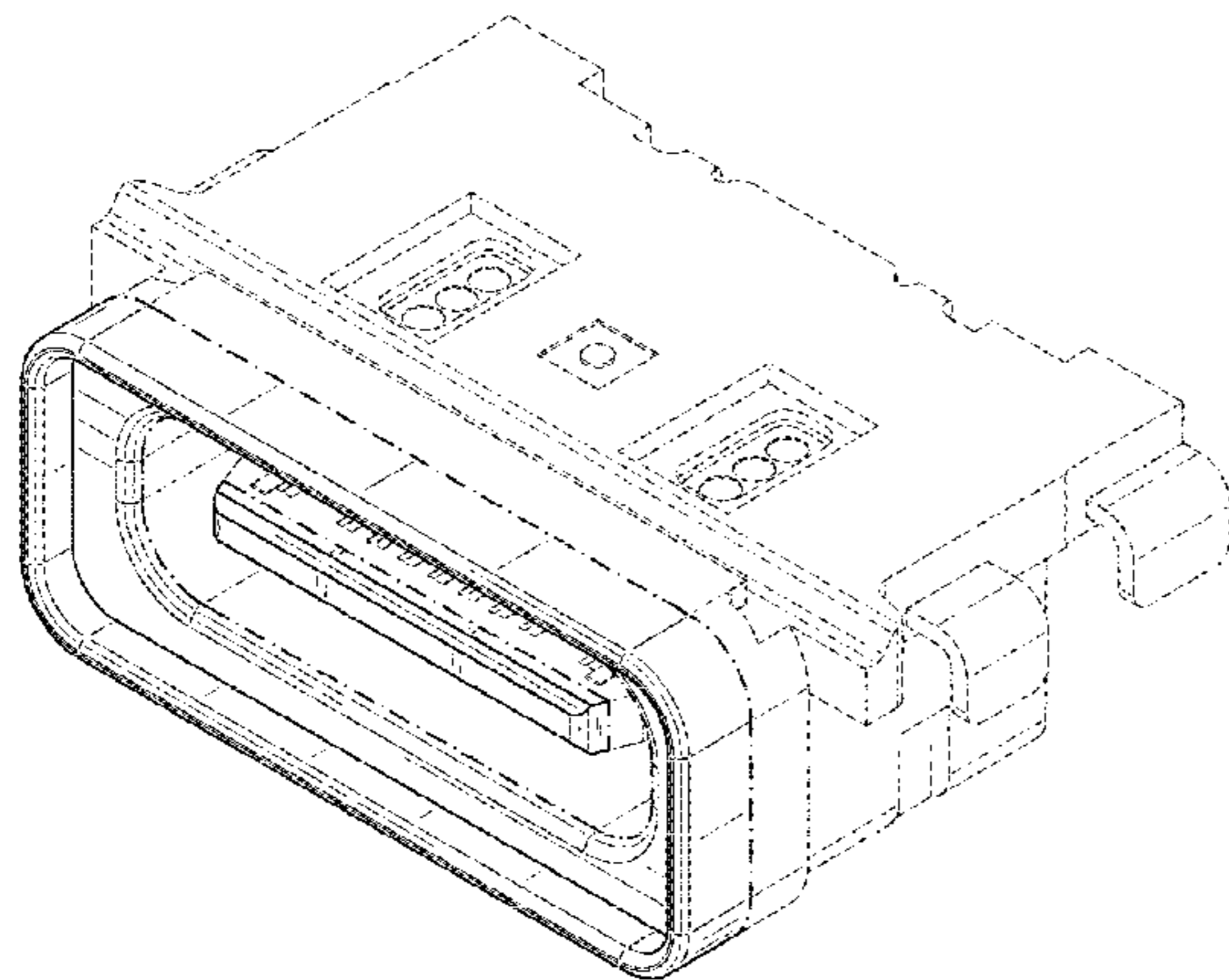
(57) **CLAIM**

The ornamental design for a waterproof receptacle connector, as shown and described.

DESCRIPTION

FIG. 1 is a front, top and right side perspective view of a waterproof receptacle connector showing our new design; FIG. 2 is a front, bottom and left side perspective view thereof; FIG. 3 is a front elevational view thereof; FIG. 4 is a rear elevational view thereof; FIG. 5 is a left side elevational view thereof; FIG. 6 is a right side elevational view thereof; FIG. 7 is a top plan view thereof; and, FIG. 8 is a bottom plan view thereof. The even broken line shown in the drawing views is for the purpose of illustrating portions of the waterproof receptacle connector and forms no part of the claimed design. The dot-dash broken line defines the boundary of the claimed design and form no part of the claimed design.

1 Claim, 5 Drawing Sheets



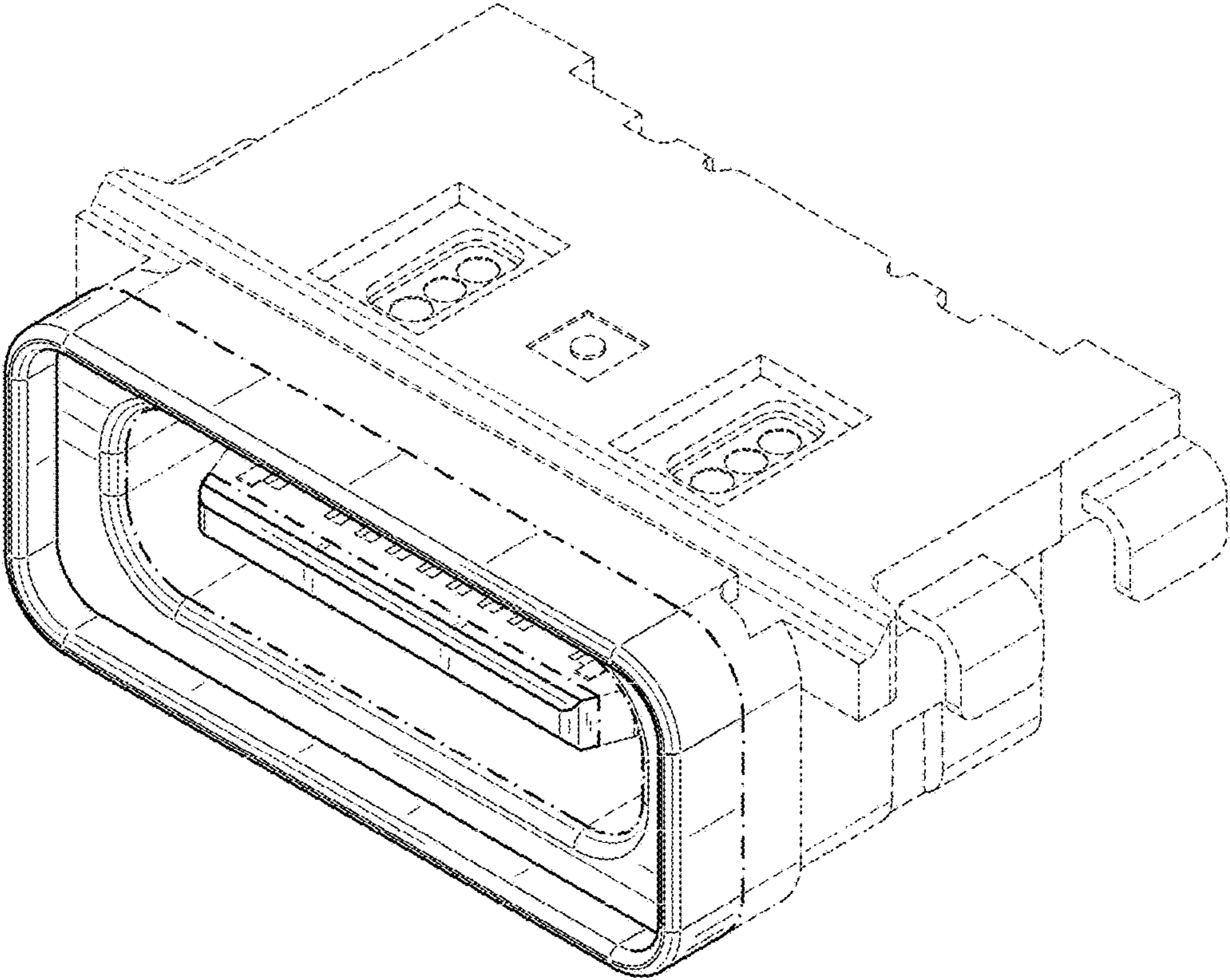


FIG. 1

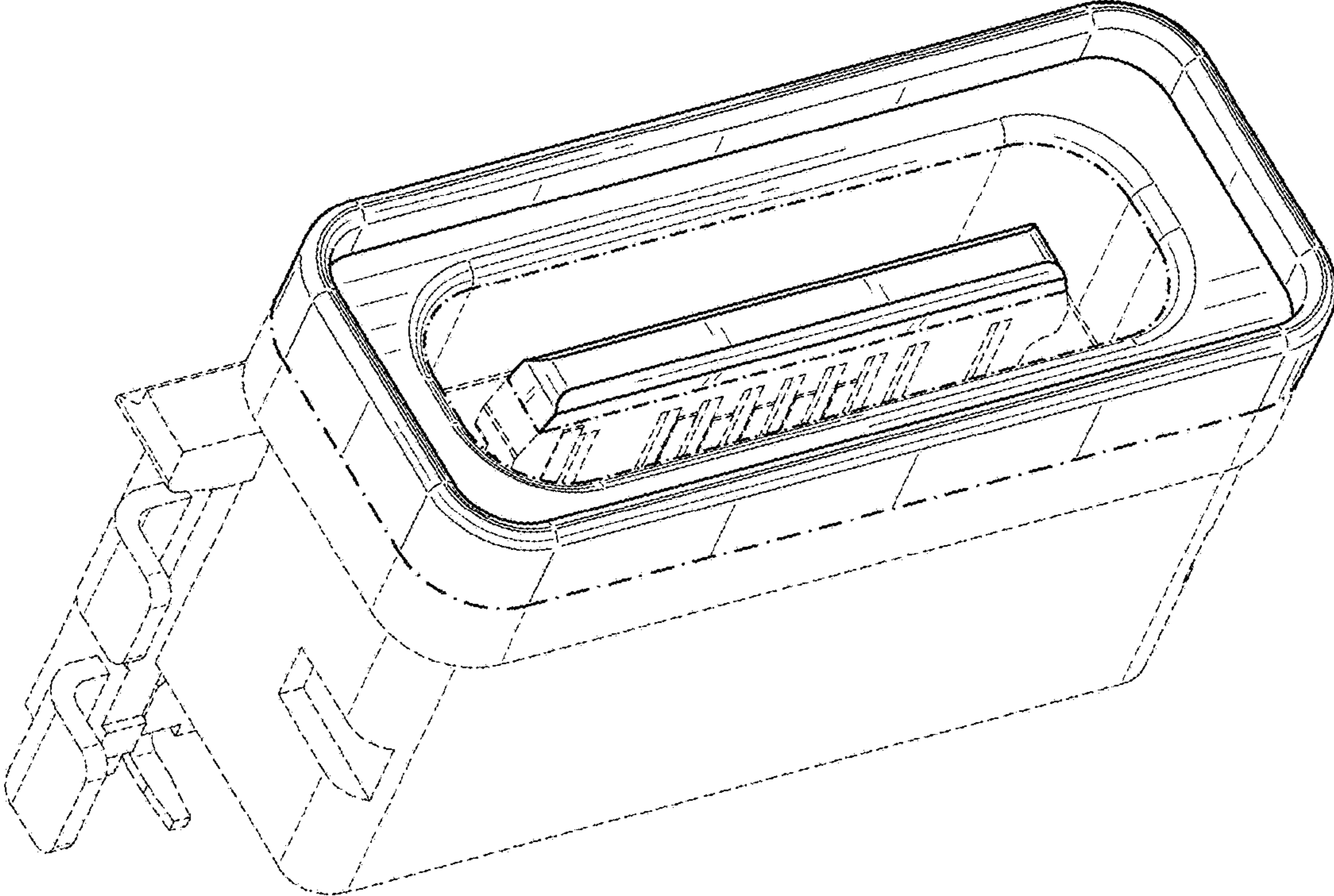


FIG. 2

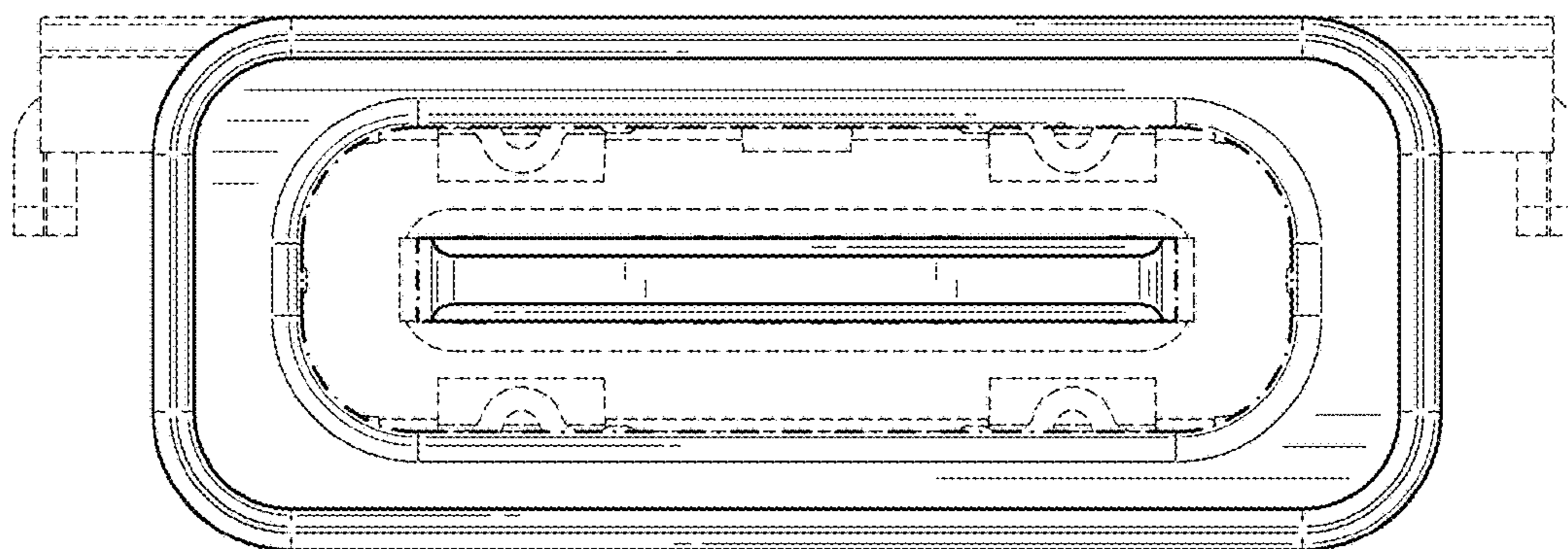


FIG. 3

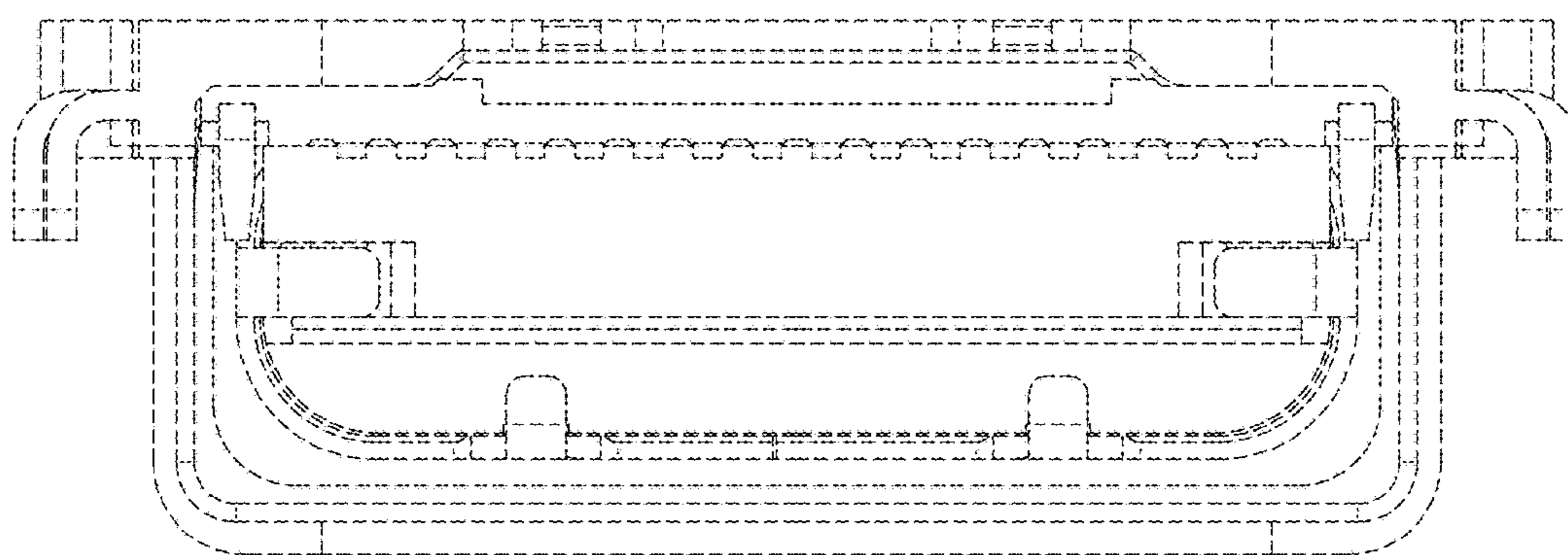


FIG. 4

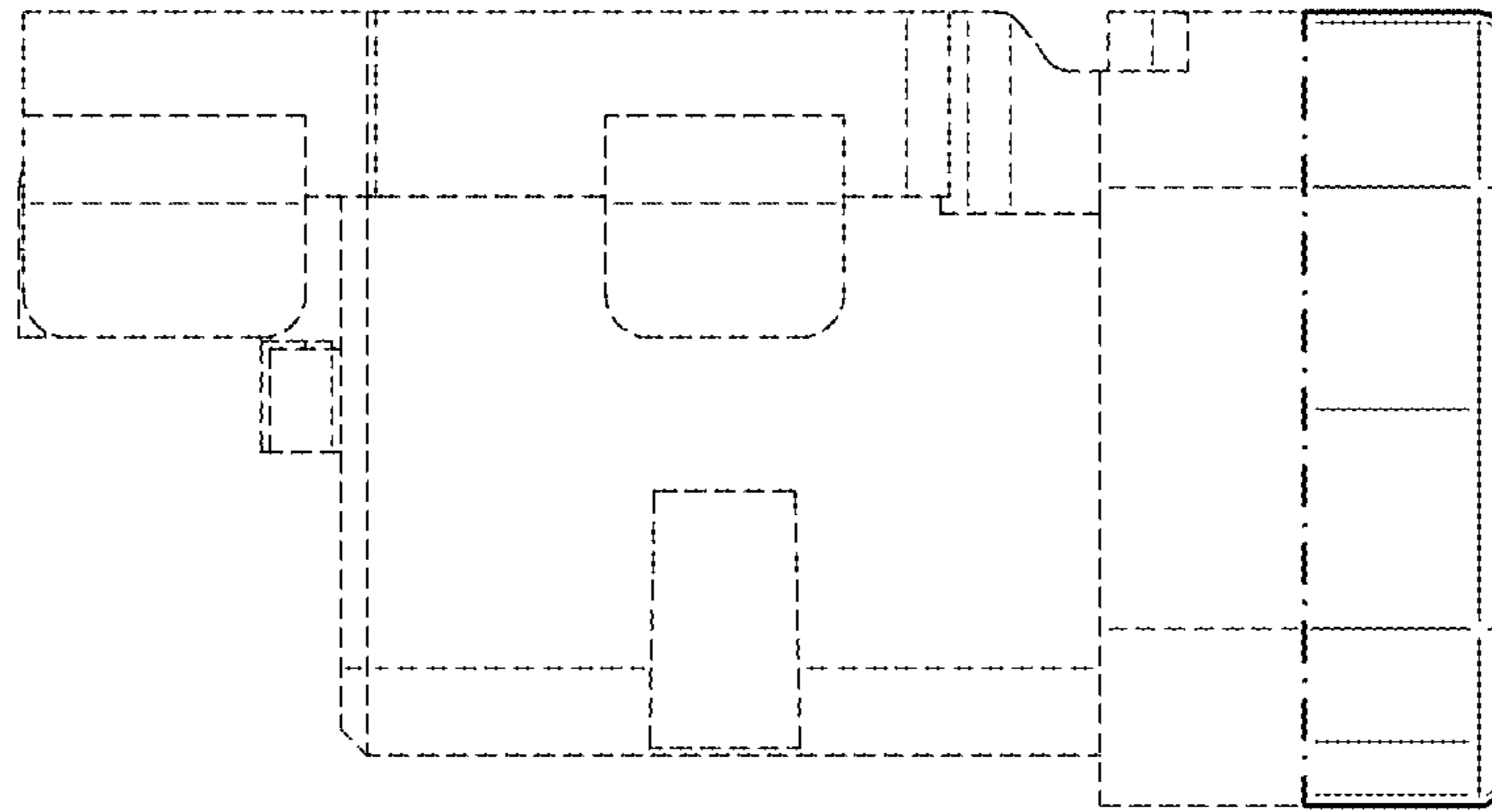


FIG. 5

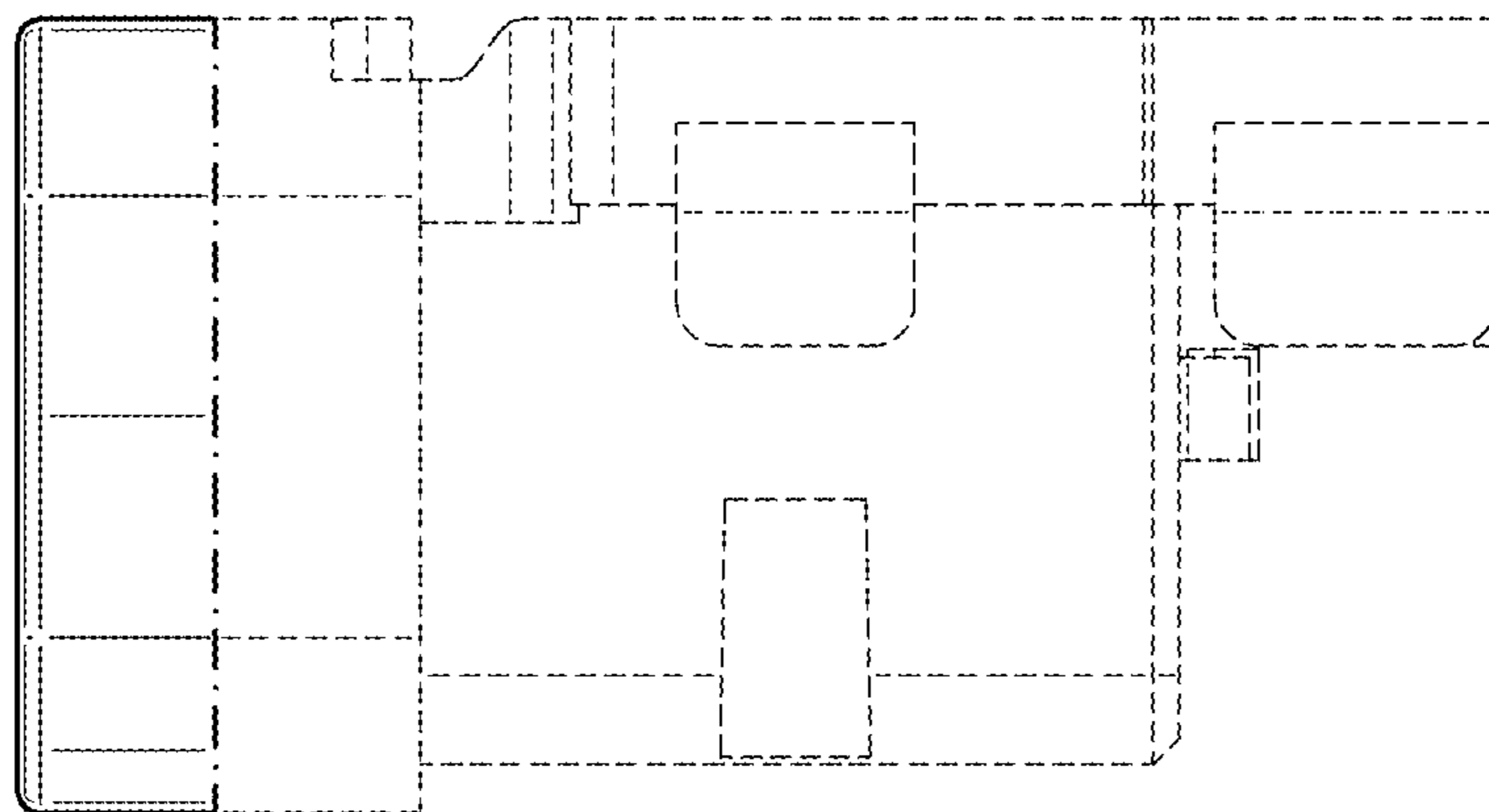


FIG. 6

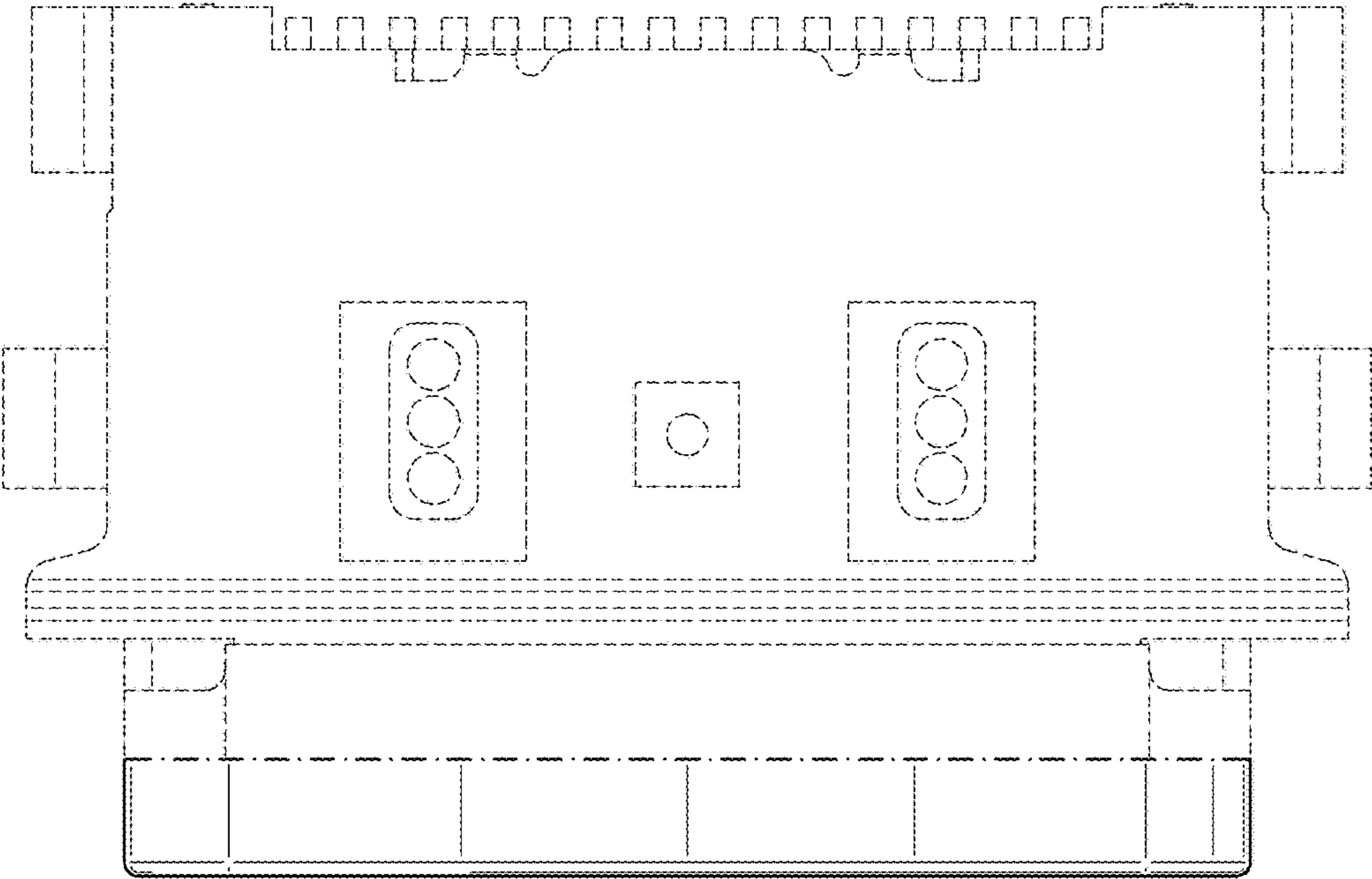


FIG. 7

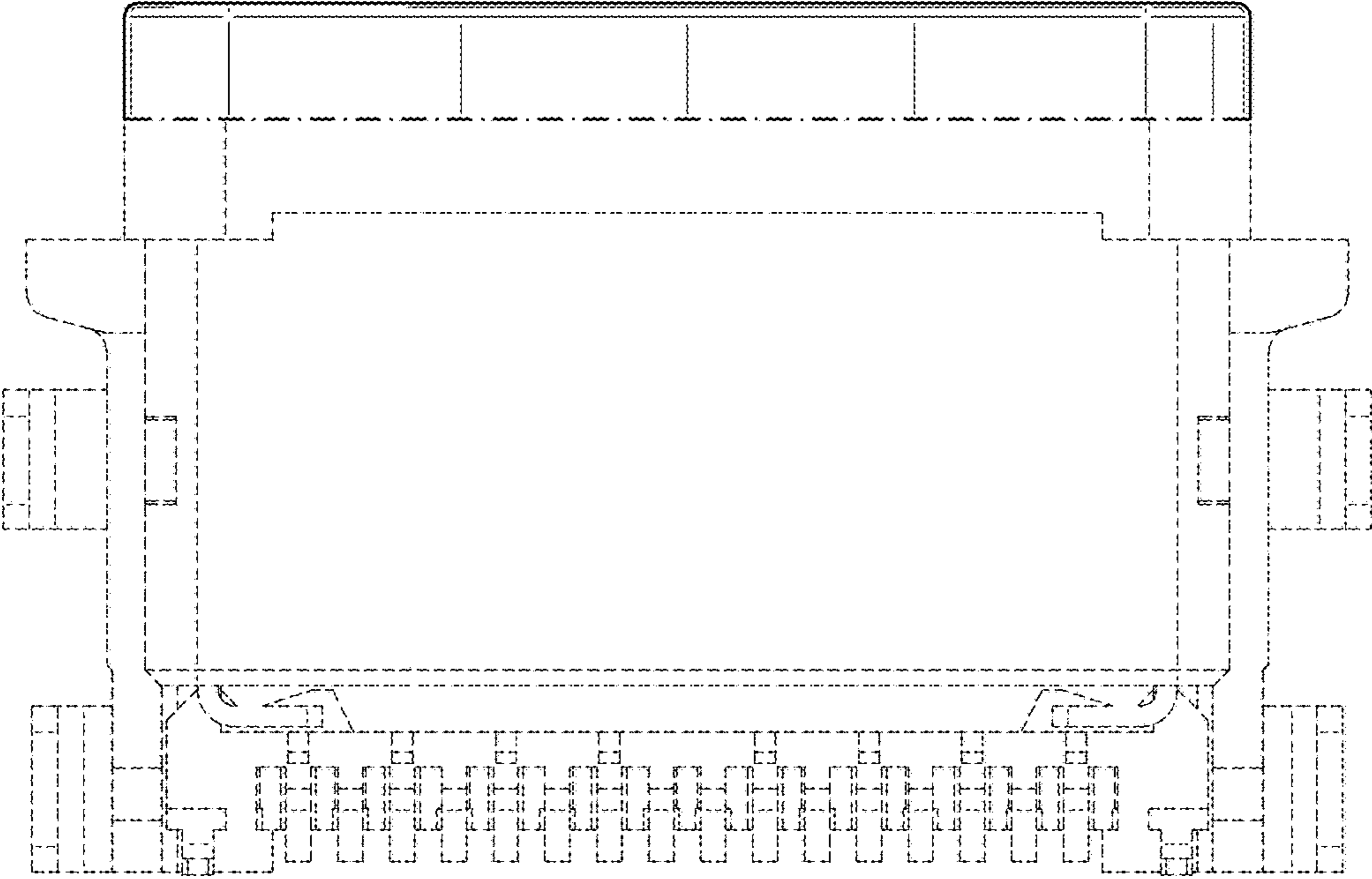


FIG. 8