



US00D828304S

(12) **United States Design Patent**
Chen

(10) **Patent No.:** **US D828,304 S**

(45) **Date of Patent:** **** Sep. 11, 2018**

(54) **POWER STRIP**

(71) Applicant: **Chuhong Chen**, Guangdong (CN)

(72) Inventor: **Chuhong Chen**, Guangdong (CN)

(**) Term: **15 Years**

(21) Appl. No.: **29/584,431**

(22) Filed: **Nov. 15, 2016**

(51) **LOC (11) Cl.** **13-03**

(52) **U.S. Cl.**
USPC **D13/139.8**

(58) **Field of Classification Search**

USPC D13/108-110, 133, 137.1-137.4,
D13/138.1-138.2, 139.1-139.8, 152-154,
D13/156, 173, 177, 151, 146, 147;
D14/433, 435.1, 432; D8/350-353, 331
CPC H01R 25/00; H01R 25/006; H01R 25/003;
H01R 9/00; H01R 11/00; H02J
2007/0062

See application file for complete search history.

(56) **References Cited**

U.S. PATENT DOCUMENTS

D349,885 S * 8/1994 Lee D13/139.8
6,329,616 B1 * 12/2001 Lee H01R 25/003
200/51 R

D591,239 S * 4/2009 Caplan D13/137.2
D796,443 S * 9/2017 Xu D13/139.6
D797,675 S * 9/2017 Xu D13/139.6

* cited by examiner

Primary Examiner — Rosemary K Tarcza

Assistant Examiner — Christy M Nemeth

(74) *Attorney, Agent, or Firm* — Justin Lampel

(57) **CLAIM**

The ornamental design for a power strip, as shown and described.

DESCRIPTION

FIG. 1 is a perspective view of a power strip showing my new design;

FIG. 2 is a front elevational view thereof;

FIG. 3 is a rear elevational view thereof;

FIG. 4 is a right side view thereof;

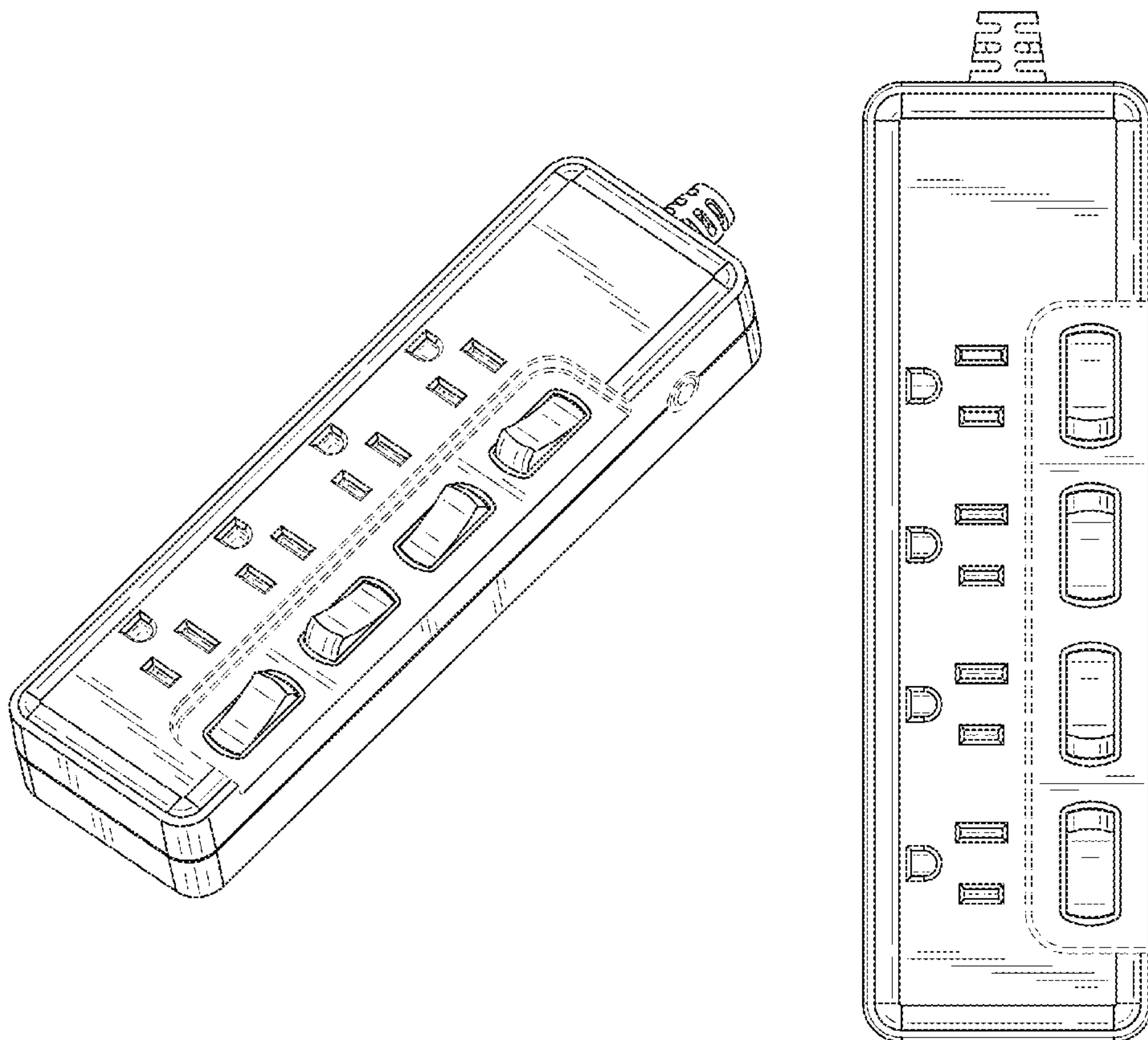
FIG. 5 is a left side view thereof;

FIG. 6 is a bottom plan view thereof; and,

FIG. 7 is a top plan view thereof.

The broken lines in the drawings are for the purpose of illustrating portions of the power strip that form no part of the claimed design.

1 Claim, 3 Drawing Sheets



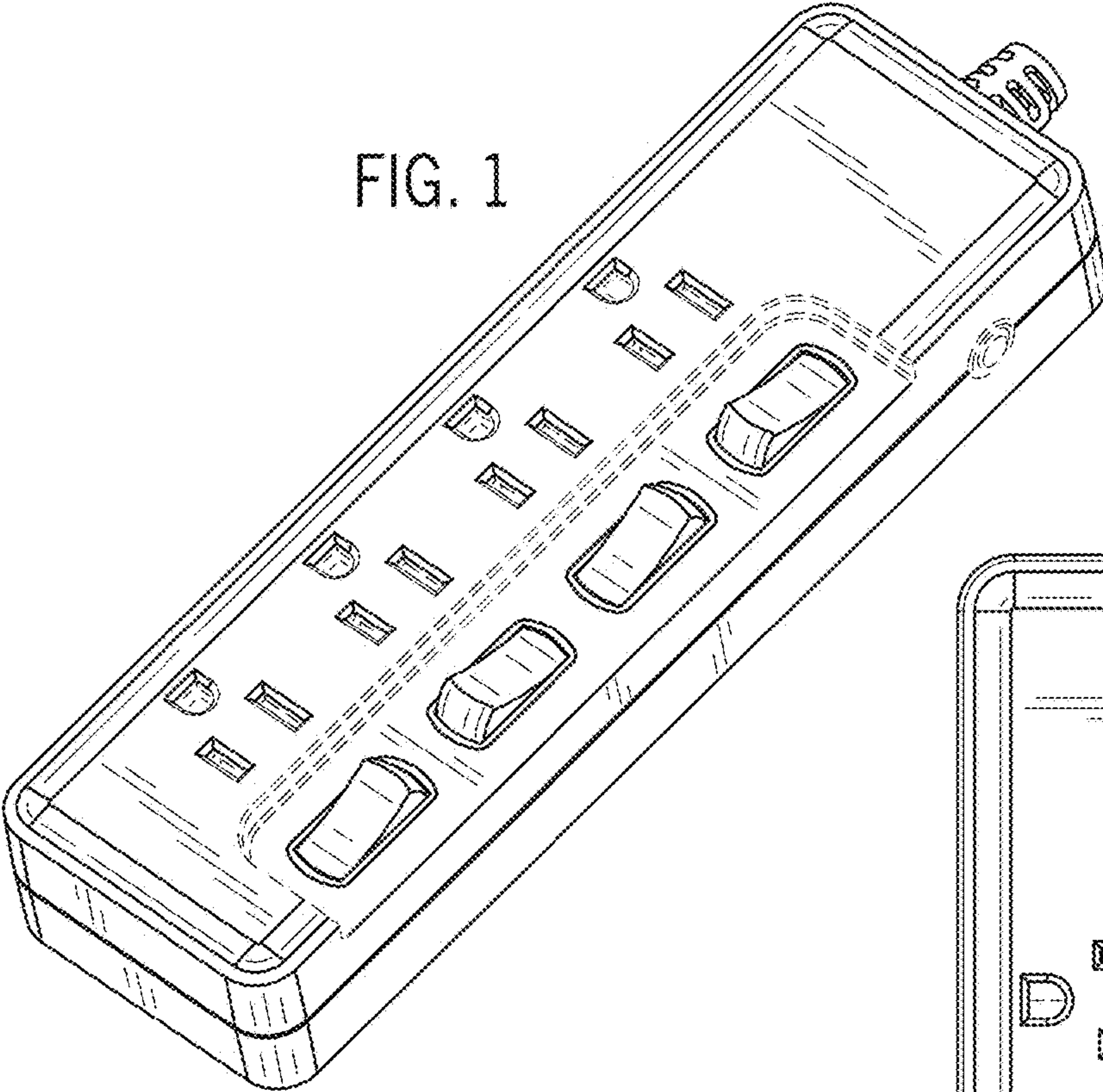


FIG. 1

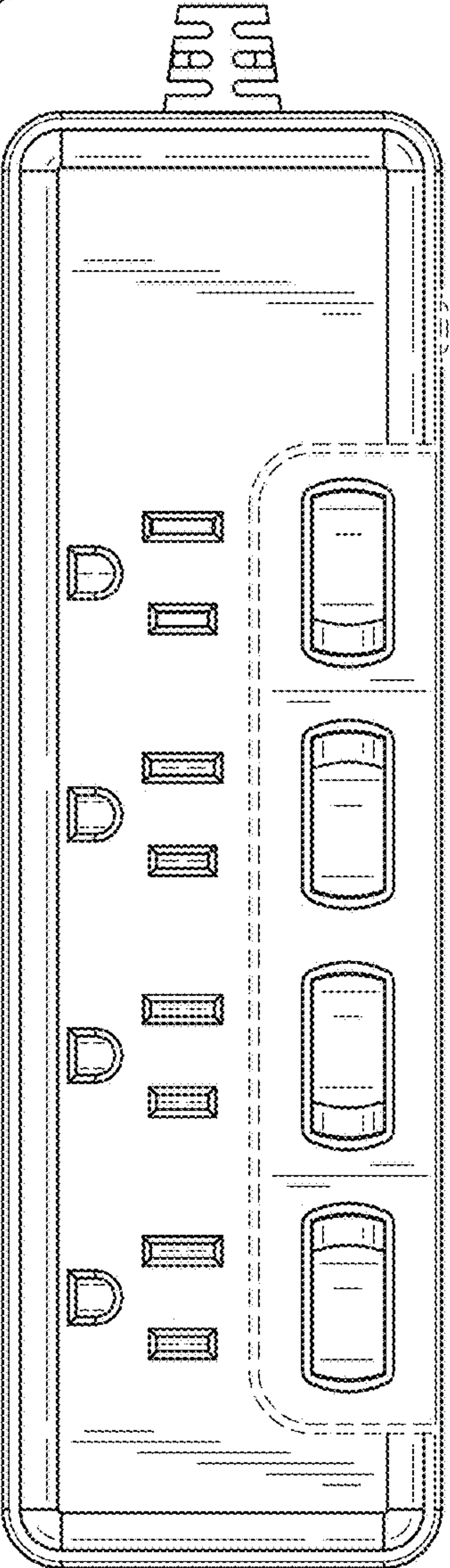


FIG. 2

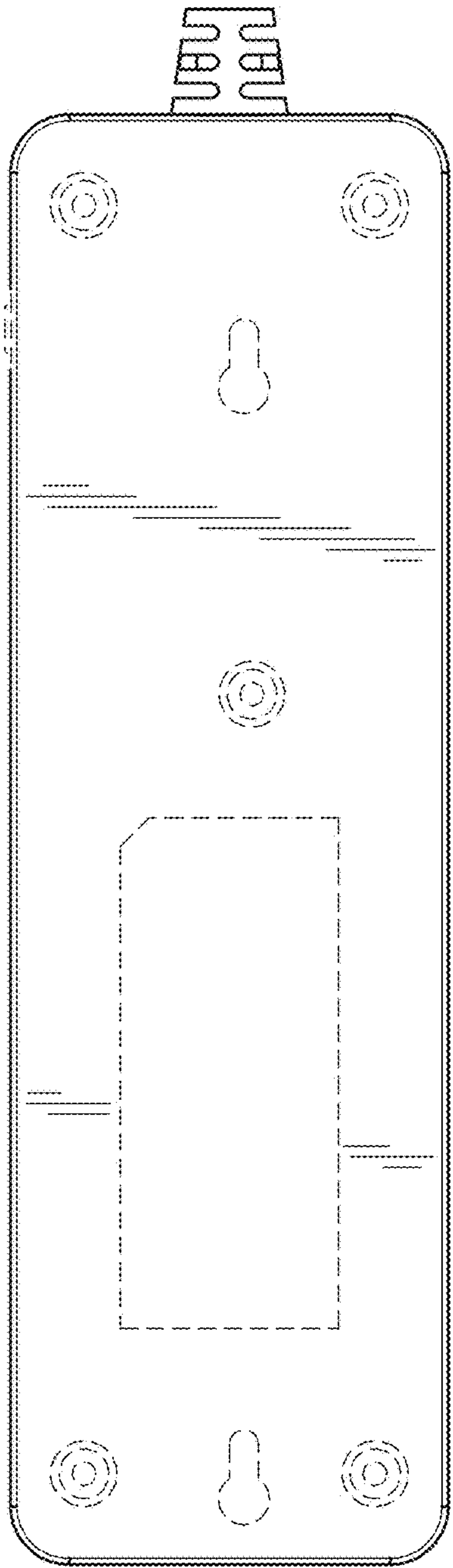


FIG. 3

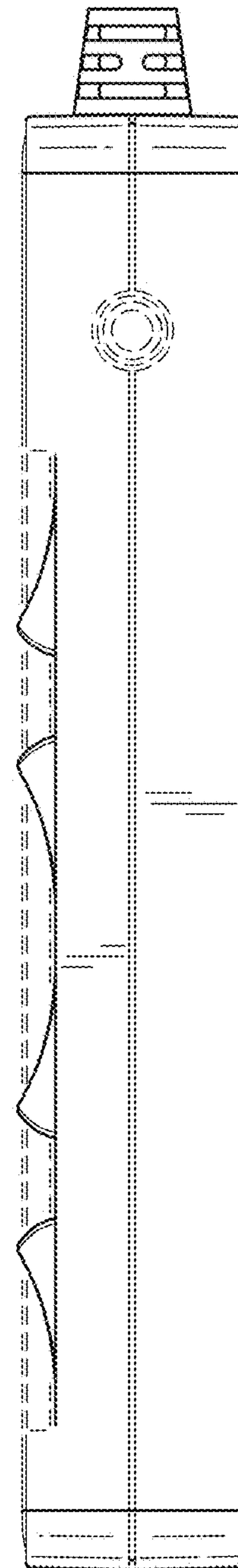


FIG. 4

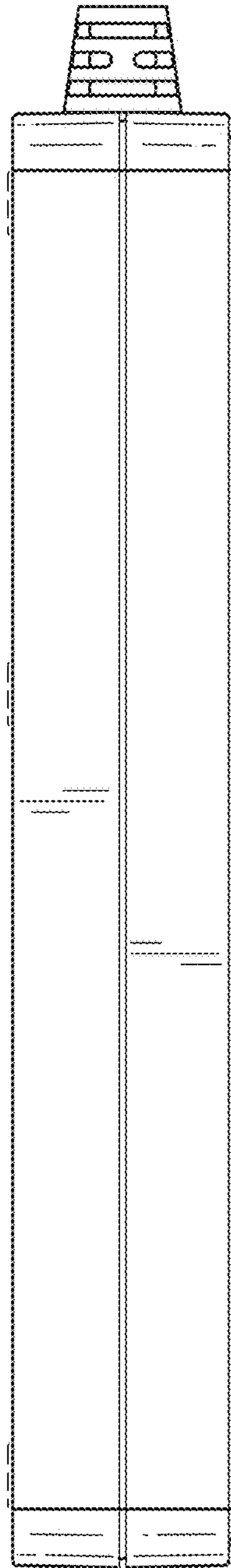


FIG. 5

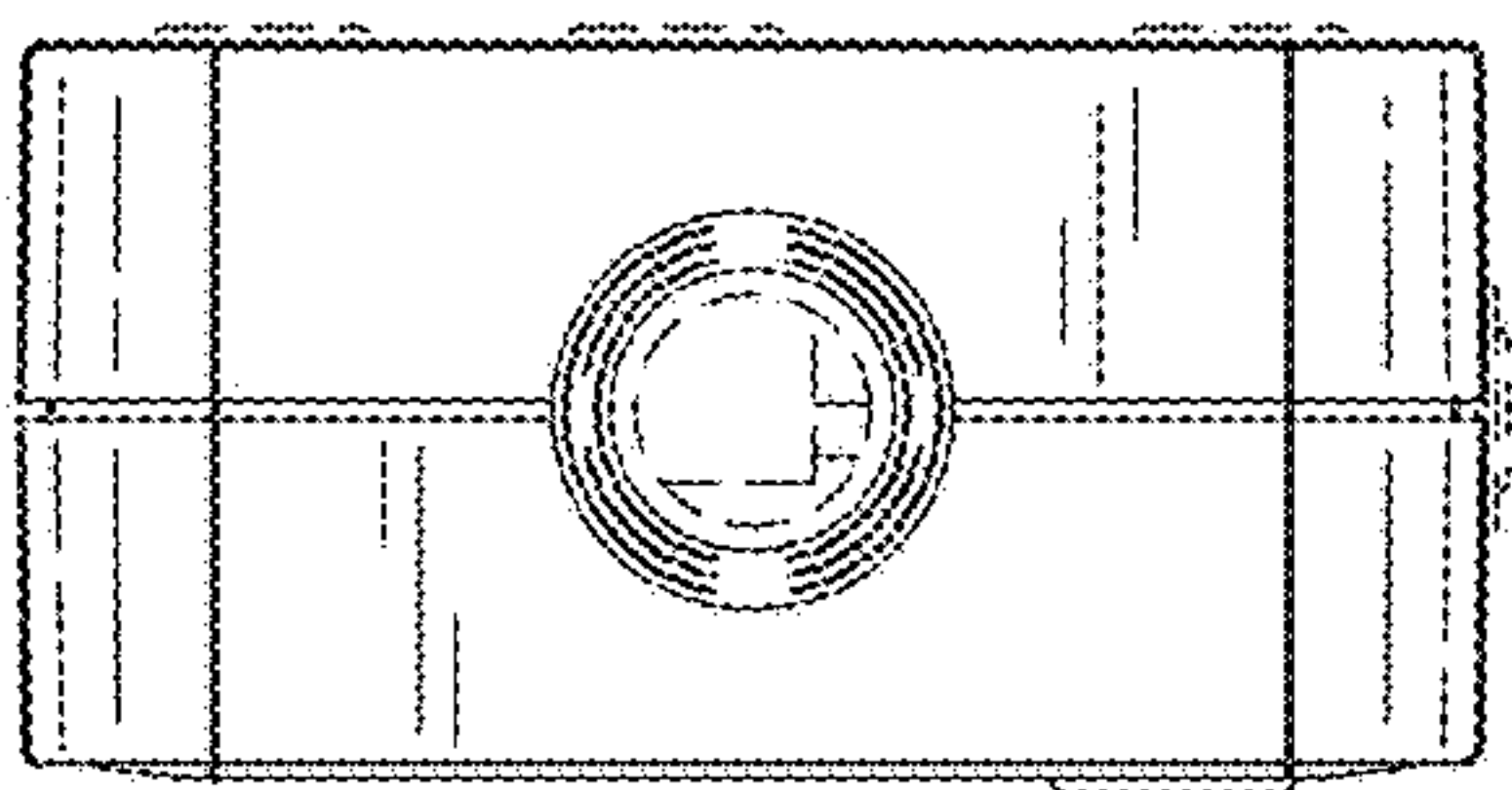


FIG. 6

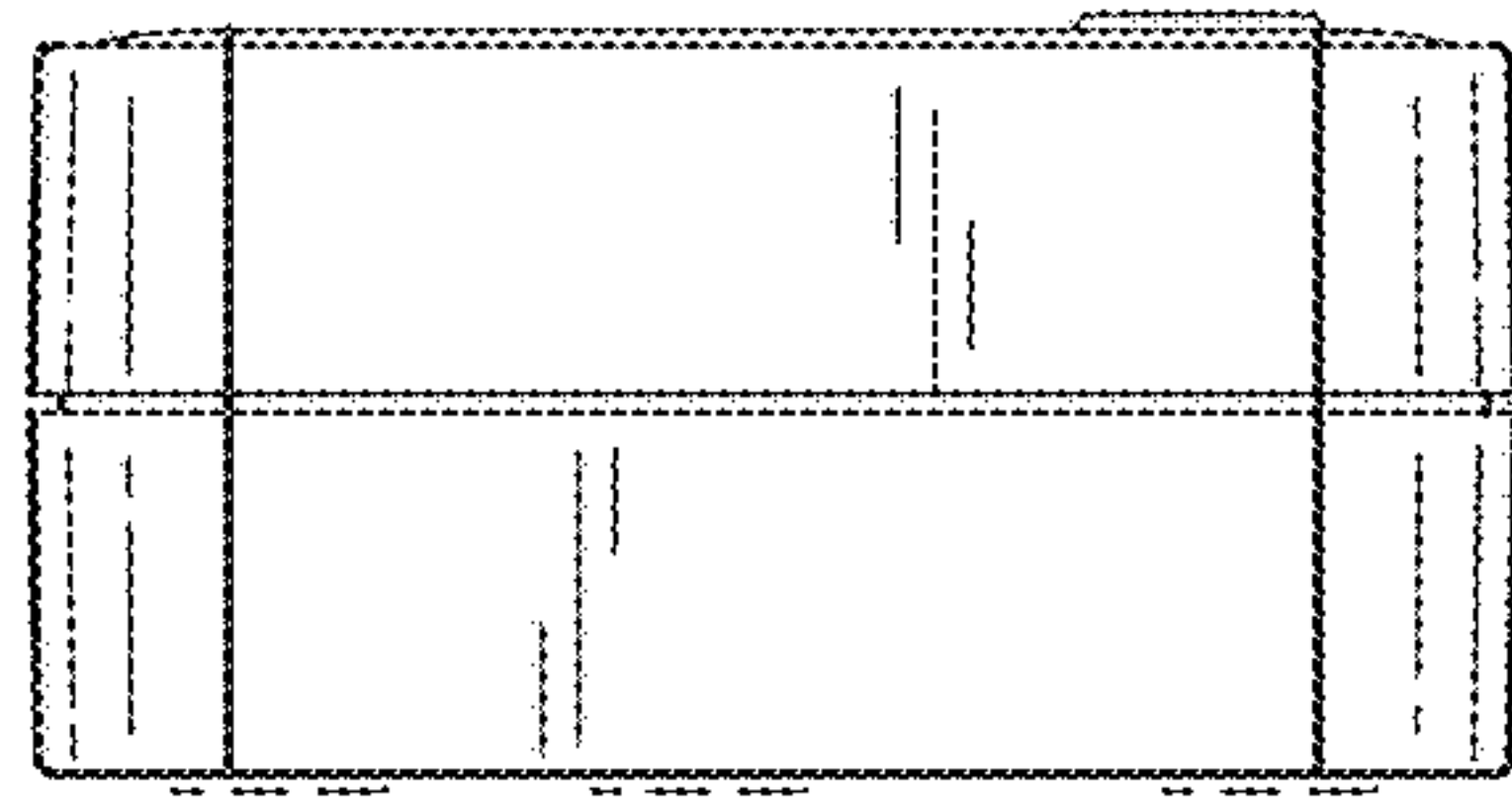


FIG. 7