



US00D828303S

(12) **United States Design Patent** (10) **Patent No.:** **US D828,303 S**
Byrne et al. (45) **Date of Patent:** **** Sep. 11, 2018**

- (54) **ELECTRICAL POWER UNIT**
- (71) Applicants: **Norman R. Byrne**, Ada, MI (US);
Daniel P. Byrne, Lowell, MI (US);
Joseph D. Ward, Grand Rapids, MI (US)
- (72) Inventors: **Norman R. Byrne**, Ada, MI (US);
Daniel P. Byrne, Lowell, MI (US);
Joseph D. Ward, Grand Rapids, MI (US)
- (**) Term: **15 Years**
- (21) Appl. No.: **29/607,207**
- (22) Filed: **Jun. 12, 2017**
- (51) **LOC (11) Cl.** **13-03**
- (52) **U.S. Cl.**
USPC **D13/139.4**
- (58) **Field of Classification Search**
USPC D13/138.2, 138.4, 133, 146, 147, 148,
D13/151, 154, 158, 173, 184, 199
CPC .. H01R 13/6675; H01R 13/44; H01R 31/065;
H01R 13/4534
See application file for complete search history.

- D736,709 S 8/2015 Byrne et al.
- D741,266 S * 10/2015 Byrne D13/138.2
- D744,953 S * 12/2015 Byrne D13/139.4
- D759,596 S * 6/2016 Byrne D13/137.2
- D761,732 S * 7/2016 Byrne D13/137.2
- D762,175 S * 7/2016 Byrne D13/137.2
- D762,176 S * 7/2016 Byrne D13/139.1
- D811,337 S * 2/2018 Byrne D13/137.2
- 2017/0318609 A1 11/2017 Byrne et al.

OTHER PUBLICATIONS

Co-pending and commonly-owned Design U.S. Appl. No. 29/573,264, filed Aug. 4, 2016.

(Continued)

Primary Examiner — Susan Bennett Hattan
Assistant Examiner — Jennifer M Campbell
(74) *Attorney, Agent, or Firm* — Gardner, Linn, Burkhardt & Ondersma LLP

(57) **CLAIM**

The ornamental design for an electrical power unit, as shown and described.

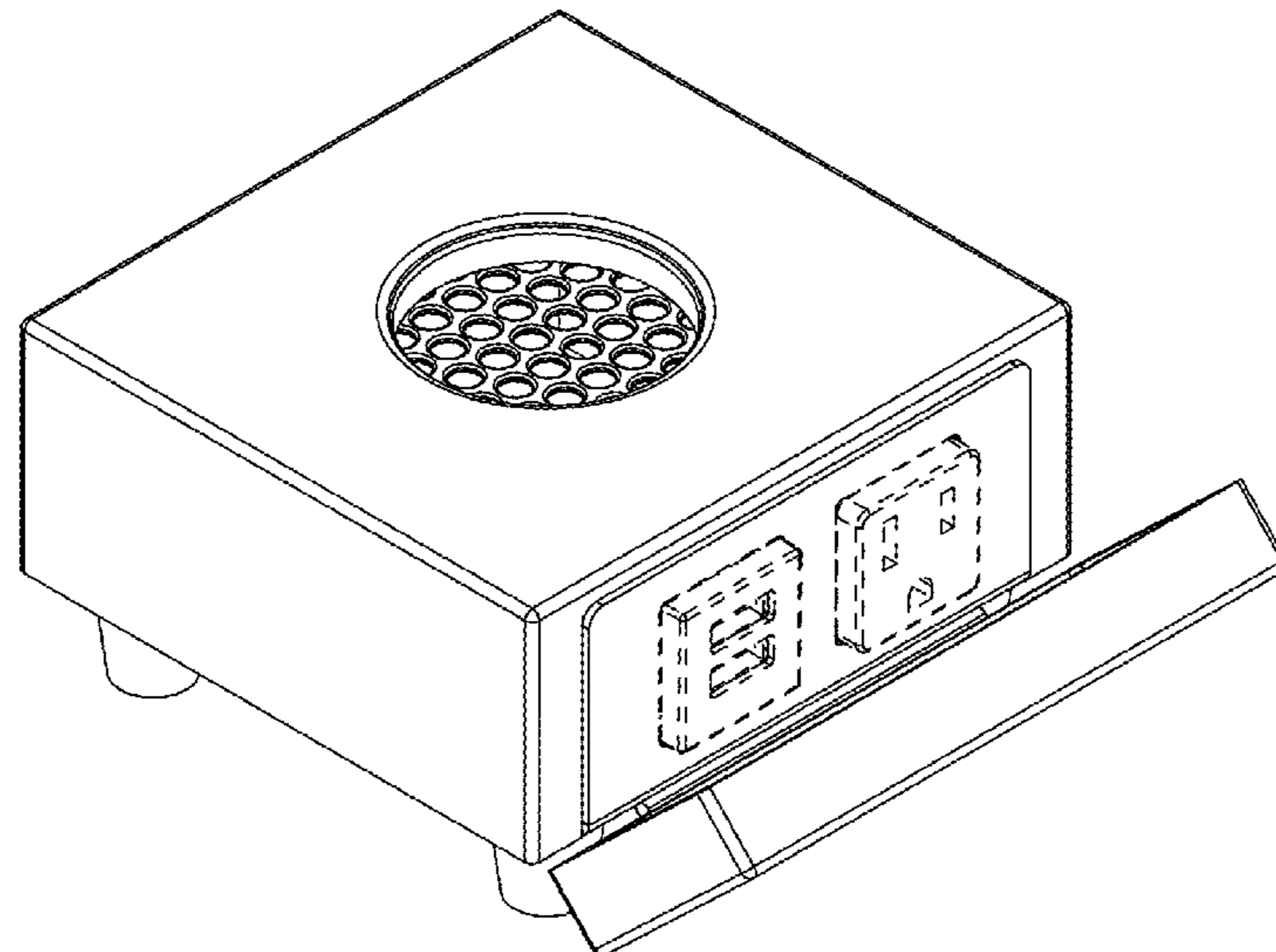
DESCRIPTION

FIG. 1 is a front perspective view of an electrical power unit showing our new design in an open-cover configuration, viewed from above and to the right; FIG. 2 is a rear perspective view thereof, viewed from above and to the left; FIG. 3 is a top plan view thereof; FIG. 4 is a front elevation thereof; FIG. 5 is a rear elevation thereof; FIG. 6 is a left side elevation thereof; and, FIG. 7 is a right side elevation thereof. In the drawings, the broken lines depict unclaimed subject matter only and form no part of the claimed design. A bottom view forms no part of the claimed design.

1 Claim, 3 Drawing Sheets

(56) **References Cited**
U.S. PATENT DOCUMENTS

- D78,966 S * 7/1929 Conner D13/139.7
- D325,723 S * 4/1992 Gary D13/139.4
- D389,459 S * 1/1998 Byrne D13/139.5
- D484,460 S * 12/2003 Cheng D13/137.4
- D553,306 S * 10/2007 Hansen D13/139.4
- D614,574 S * 4/2010 Thommes D13/139.1
- D701,836 S * 4/2014 Byrne H01R 13/52
D13/139.1
- D714,726 S * 10/2014 Byrne D13/137.1
- D717,732 S * 11/2014 Byrne D13/137.1
- D719,508 S 12/2014 Byrne et al.
- D736,159 S 8/2015 Byrne et al.



(56)

References Cited

OTHER PUBLICATIONS

Co-pending and commonly-owned Design U.S. Appl. No. 29/607,117,
filed Jun. 9, 2017.

Co-pending and commonly-owned Design U.S. Appl. No. 29/607,206,
filed Jun. 12, 2017.

* cited by examiner

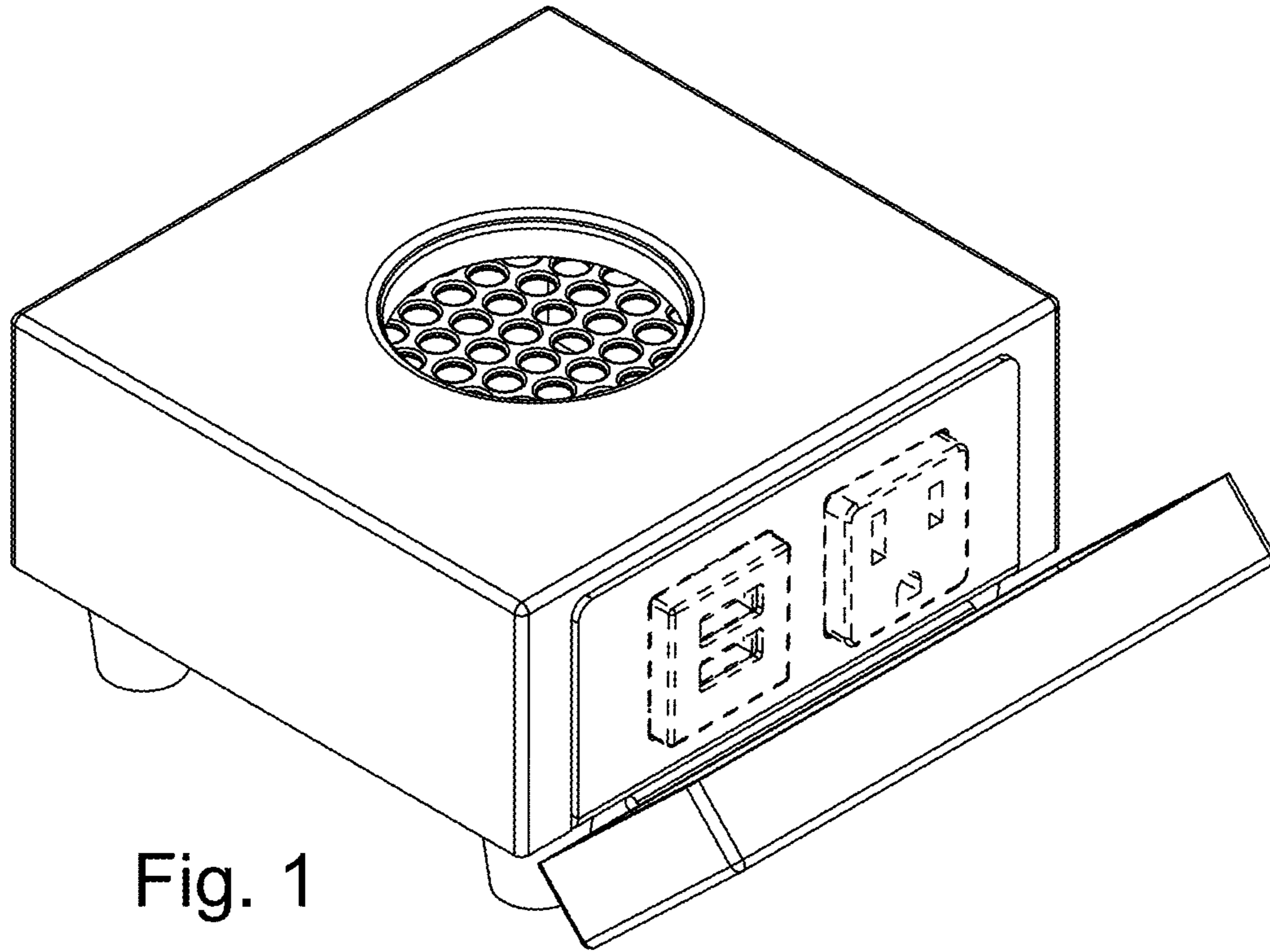


Fig. 1

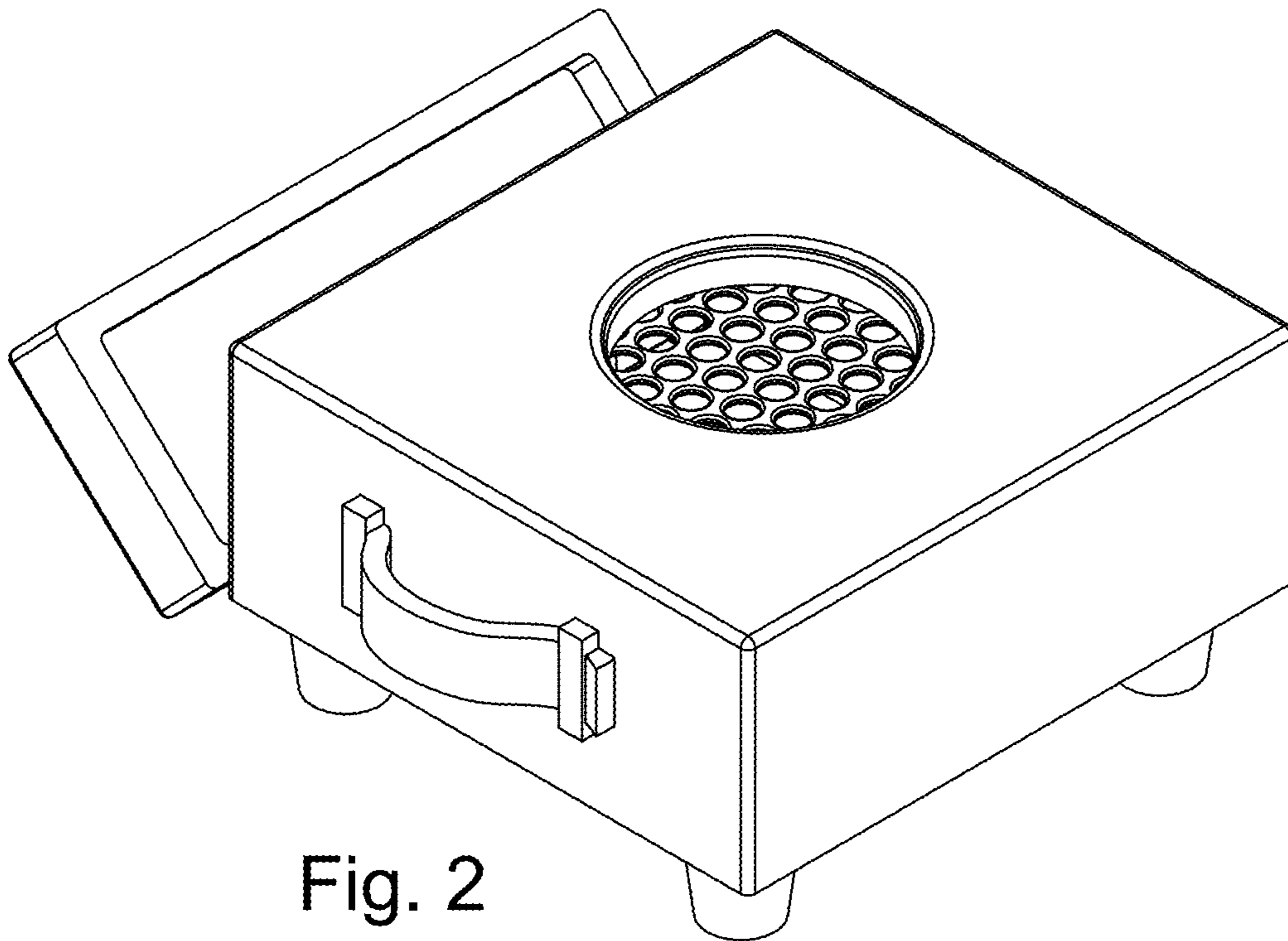


Fig. 2

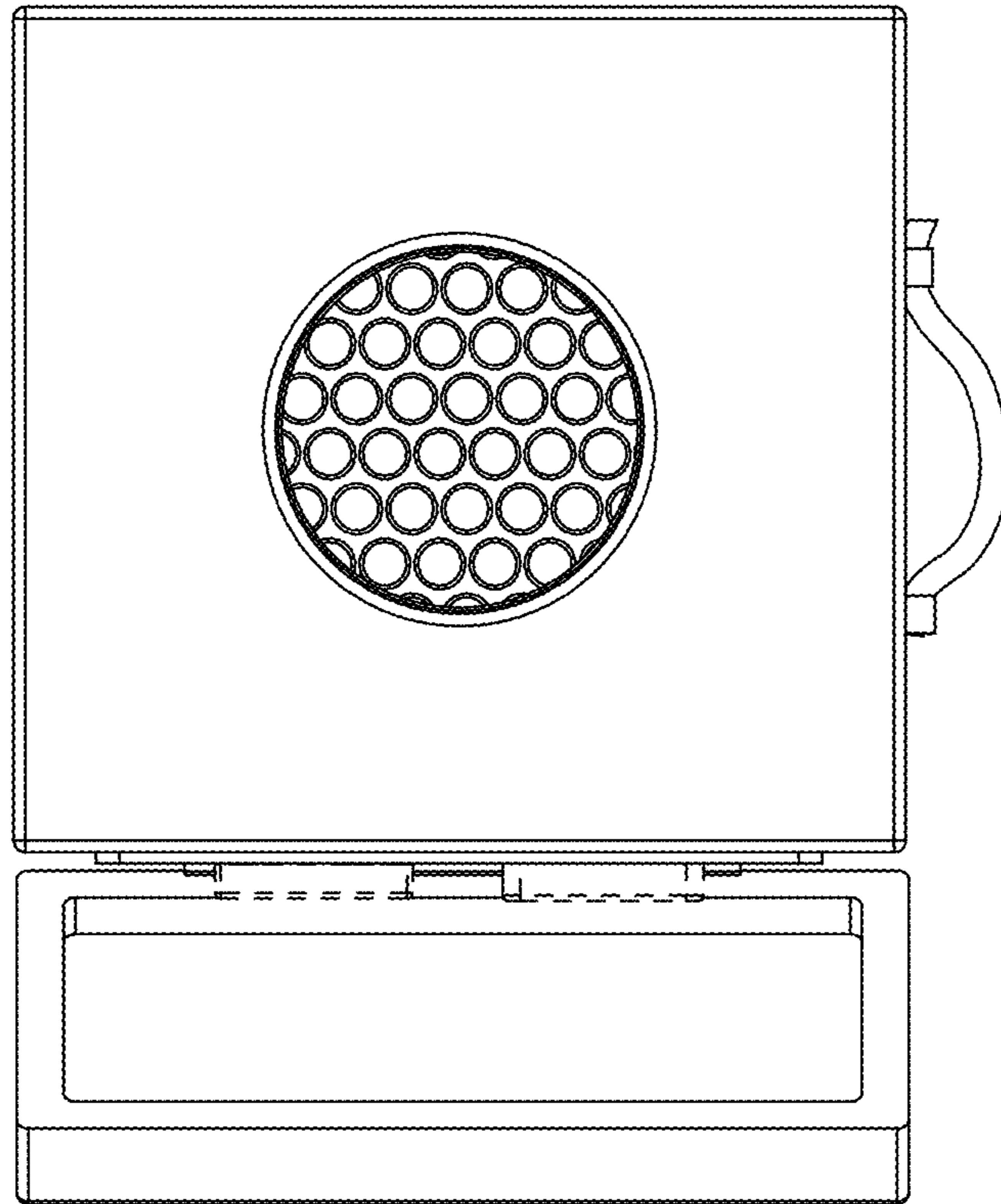


Fig. 3

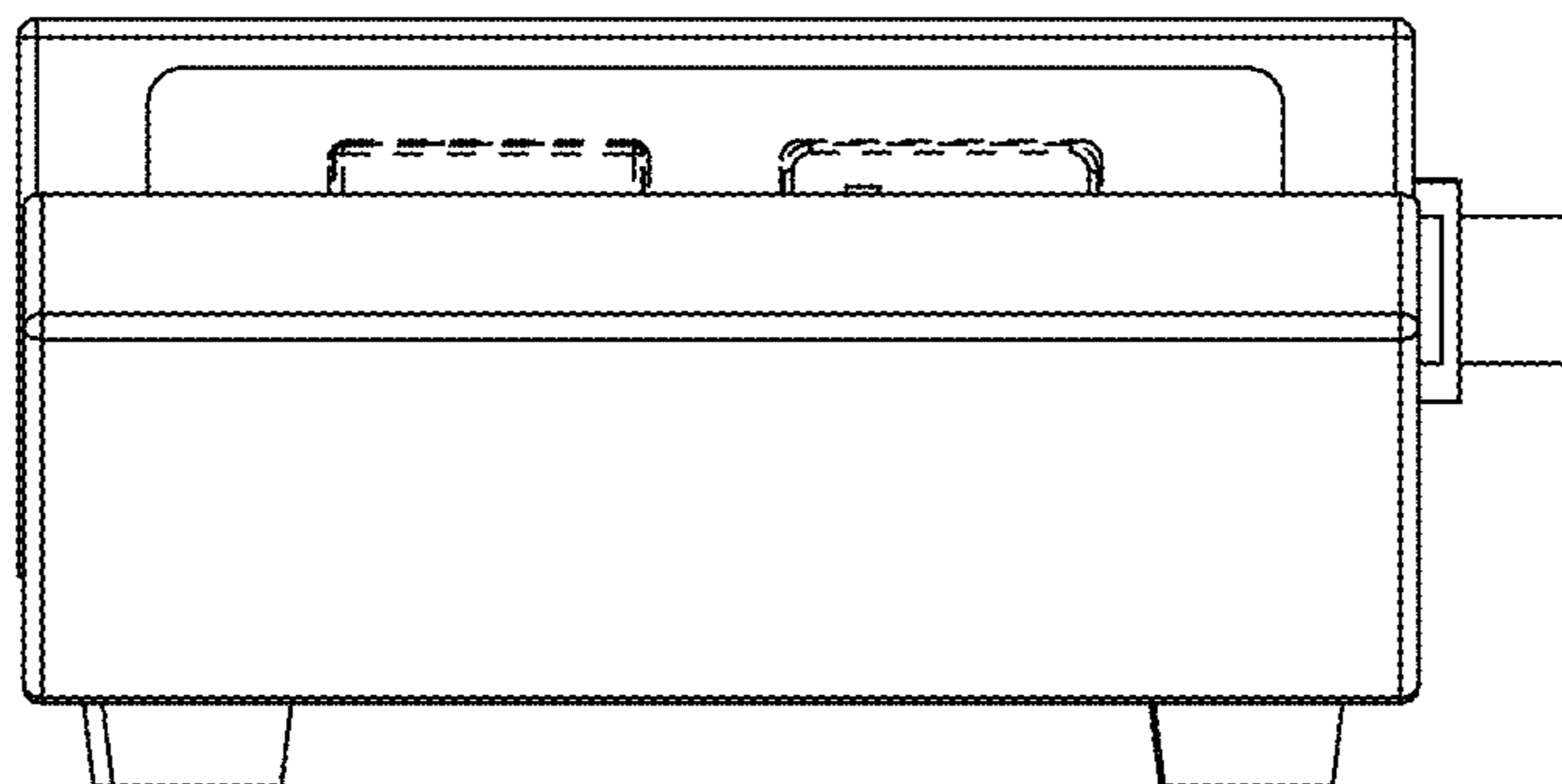


Fig. 4

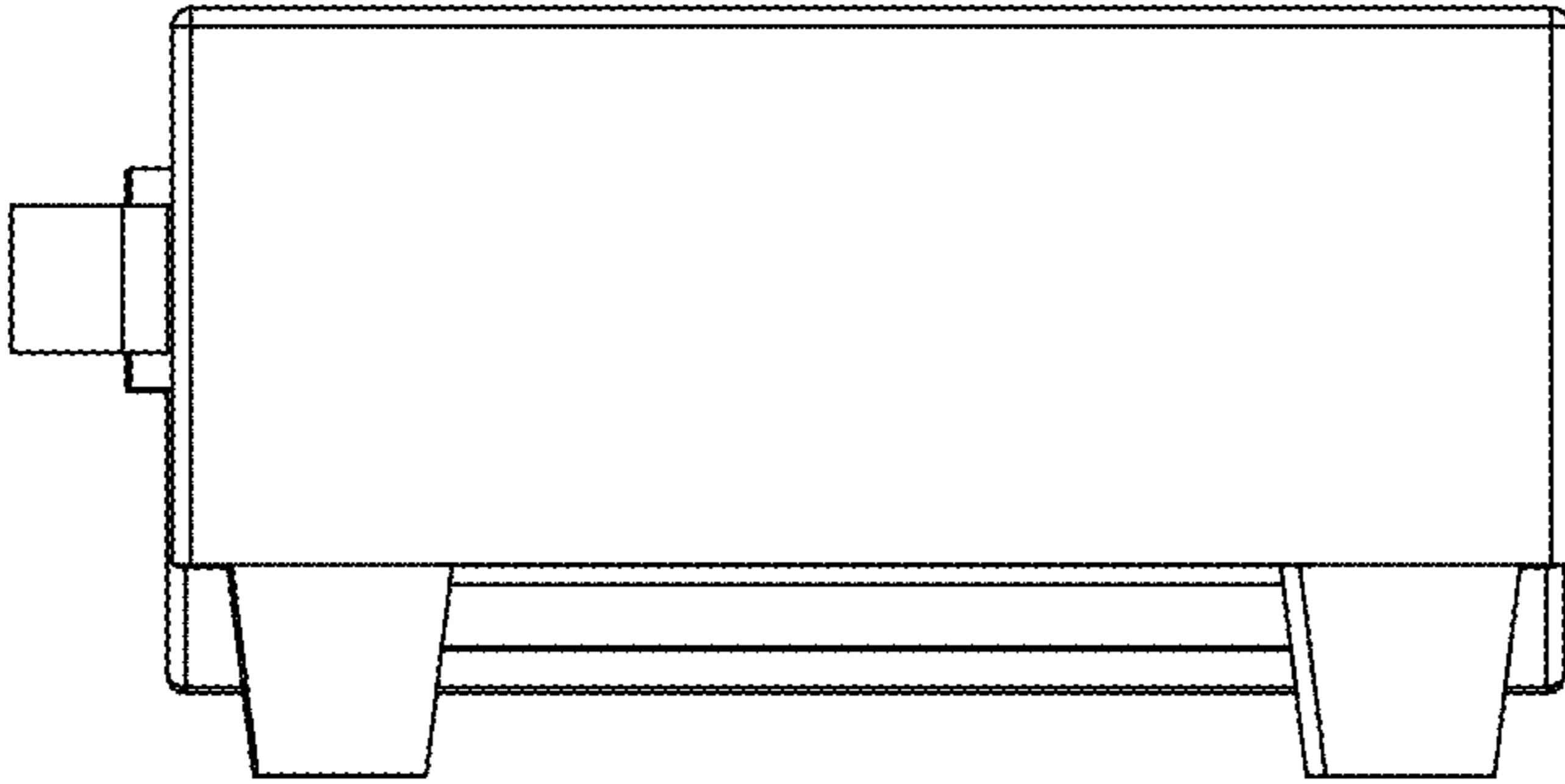


Fig. 5

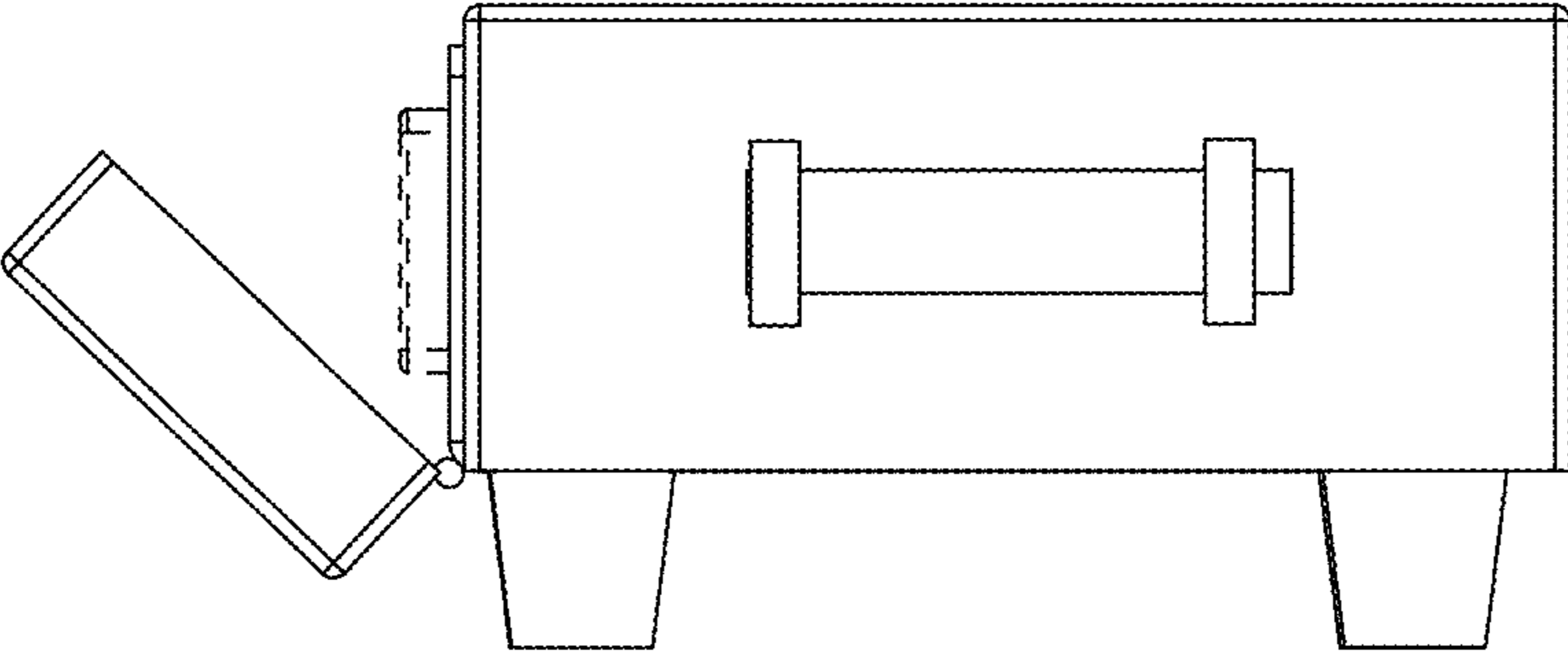


Fig. 6

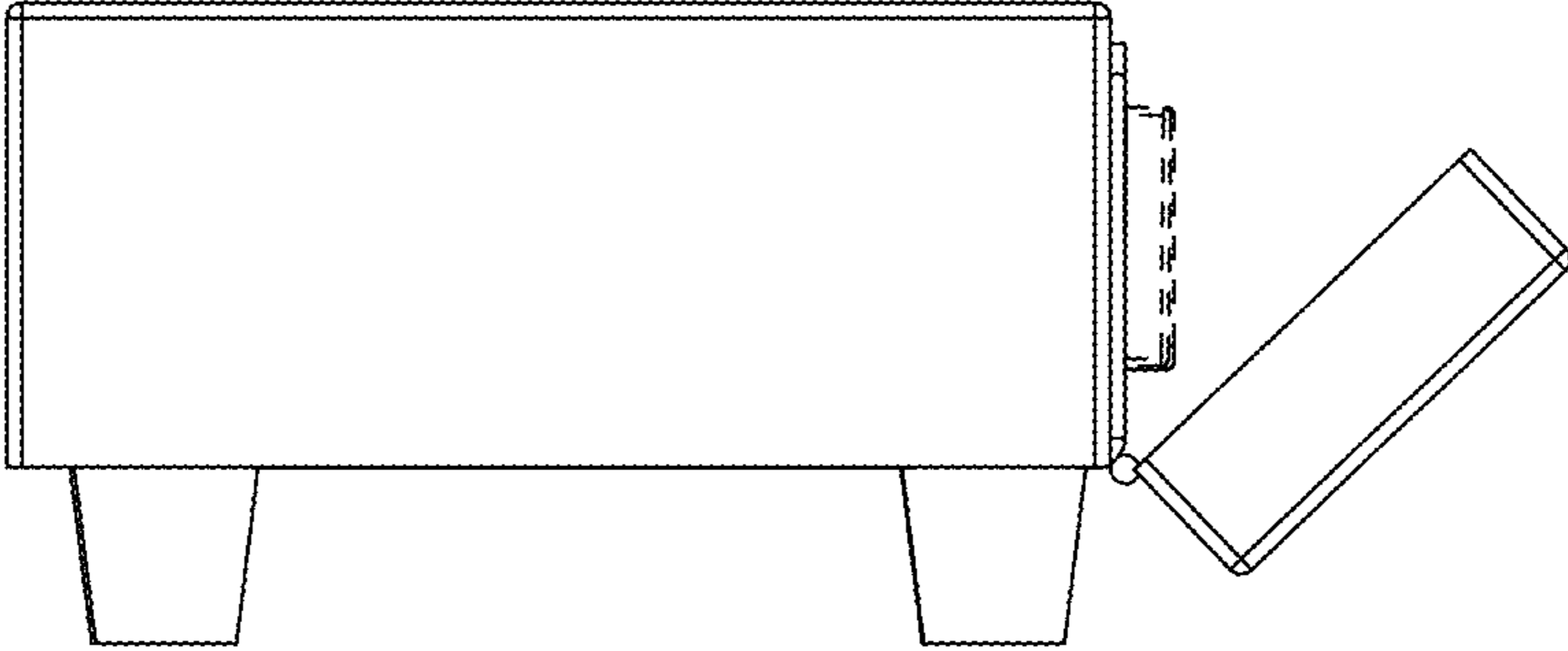


Fig. 7