



US00D828301S

(12) **United States Design Patent**
Wang

(10) **Patent No.:** **US D828,301 S**

(45) **Date of Patent:** **** Sep. 11, 2018**

(54) **PORTABLE GENERATOR**

(71) Applicant: **Xin Wang**, Chongqing (CN)

(72) Inventor: **Xin Wang**, Chongqing (CN)

(**) Term: **15 Years**

(21) Appl. No.: **29/561,052**

(22) Filed: **Apr. 12, 2016**

(51) **LOC (11) Cl.** **13-01**

(52) **U.S. Cl.**
USPC **D13/116**

(58) **Field of Classification Search**
USPC D13/113, 114, 122, 184, 199; 290/1 B;
307/150, 153; 310/50, 158, 418; 322/1,
322/2 R, 10, 16, 40, 59
CPC F02B 63/00; F02B 63/04; F02B 63/044;
F02B 63/045; F02B 63/048; H02K 5/00;
H02K 7/00; H02K 7/18
See application file for complete search history.

(56) **References Cited**

U.S. PATENT DOCUMENTS

D478,311 S * 8/2003 Yaguchi D13/114
D501,182 S * 1/2005 Buck D13/110
D638,794 S * 5/2011 Kato D13/116

D644,174 S * 8/2011 Fujiki D13/116
D704,137 S * 5/2014 Shokrzadeh D13/116
D704,641 S * 5/2014 Shokrzadeh D13/116
8,841,582 B2 * 9/2014 Bender B23K 9/1006
219/133
D749,511 S * 2/2016 Jenison D13/114
9,457,822 B2 * 10/2016 Rumao B62B 1/008

* cited by examiner

Primary Examiner — Daniel D Bui

Assistant Examiner — Andrew Kerr

(74) *Attorney, Agent, or Firm* — Xuan Zhang

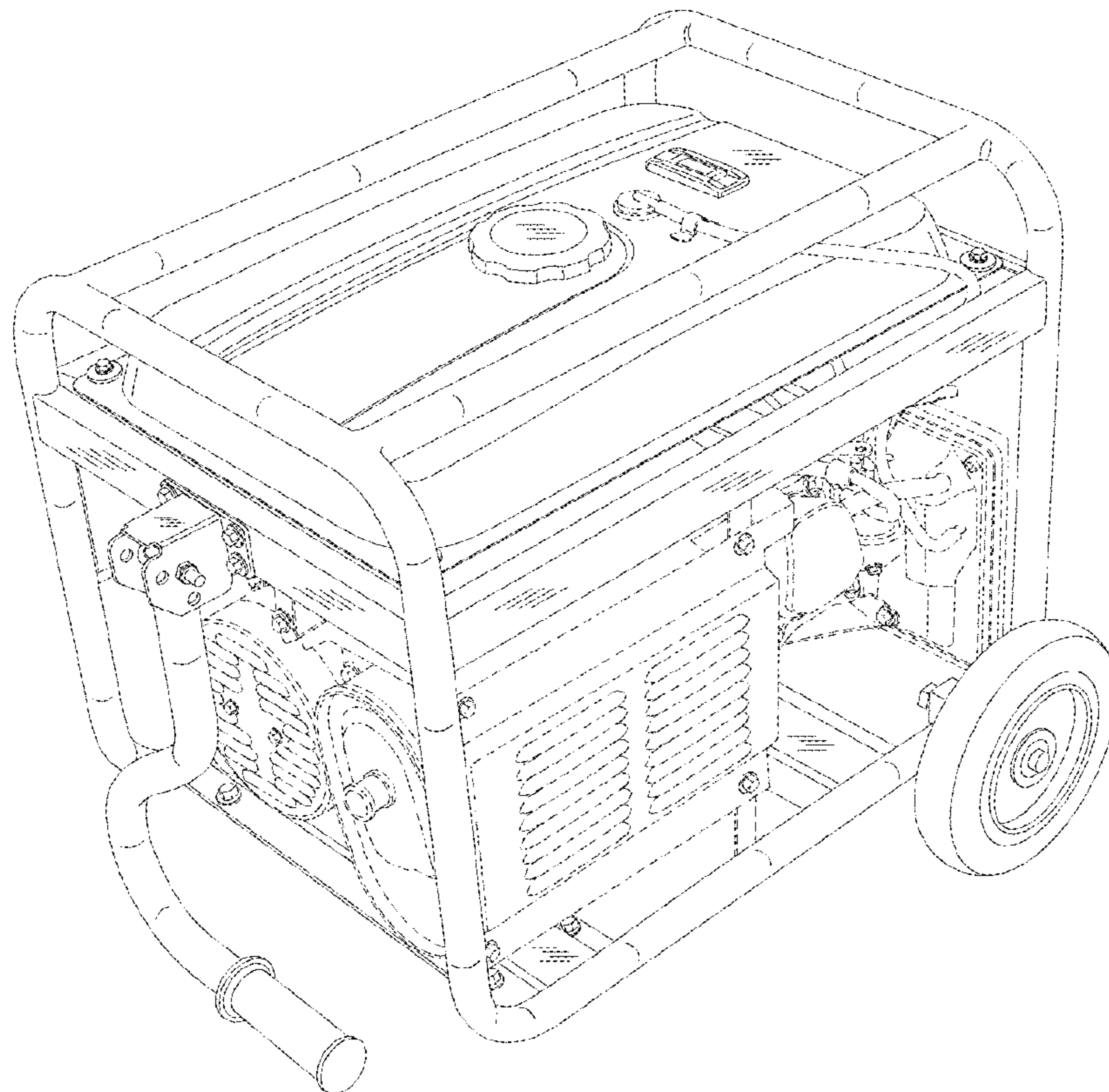
(57) **CLAIM**

The ornamental design for a portable generator, as shown and described.

DESCRIPTION

FIG. 1 is a front perspective view of a portable generator showing my new design;
FIG. 2 is a left side elevational view thereof;
FIG. 3 is a right side elevational view thereof;
FIG. 4 is a rear side elevational view thereof;
FIG. 5 is a front side elevational view thereof; and,
FIG. 6 is a top plan view thereof.
The broken line showing of portions of the portable generator is for the purpose of illustrating environmental structure only and forms no part of the claimed design.

1 Claim, 6 Drawing Sheets



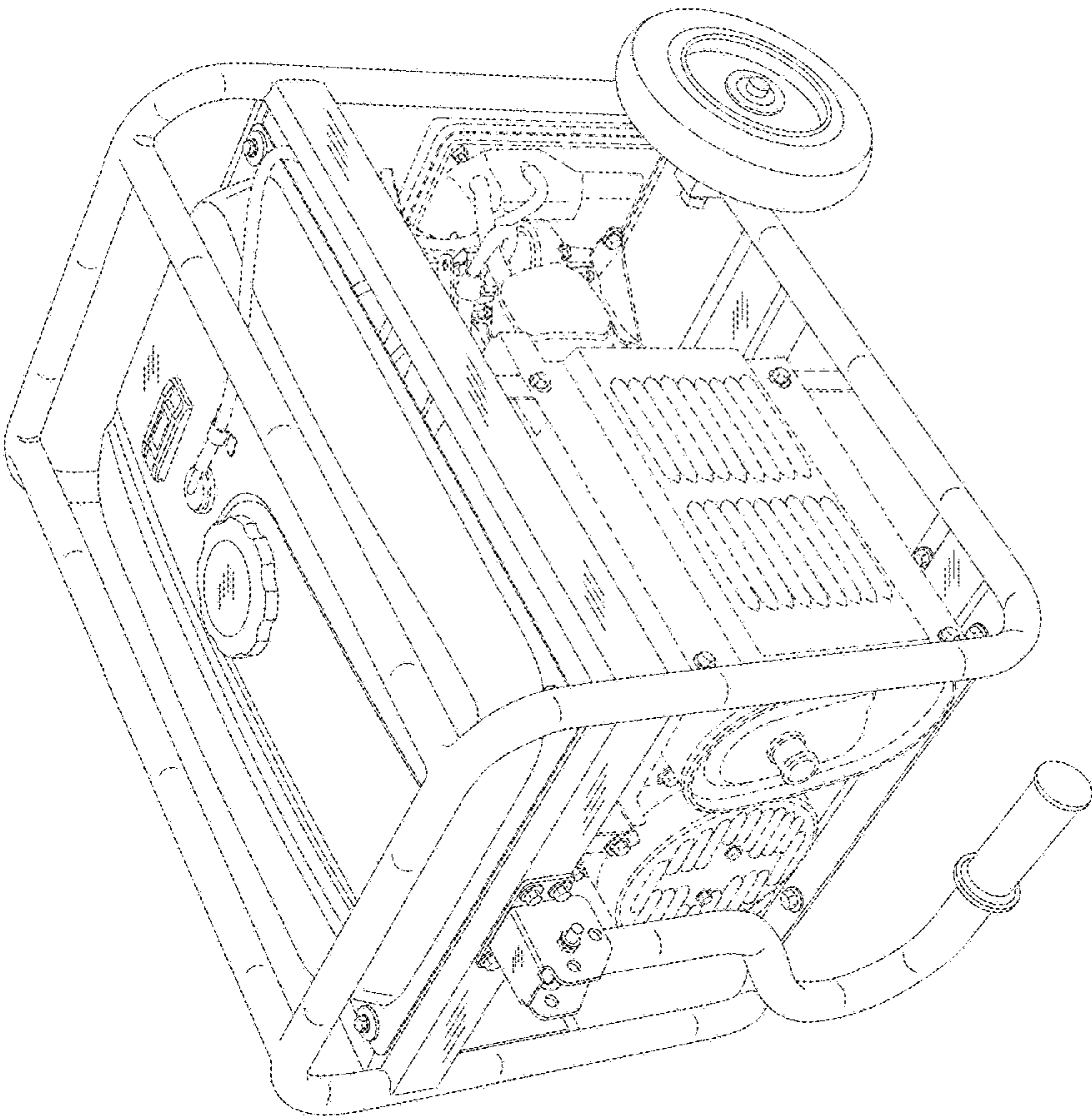


FIG. 1

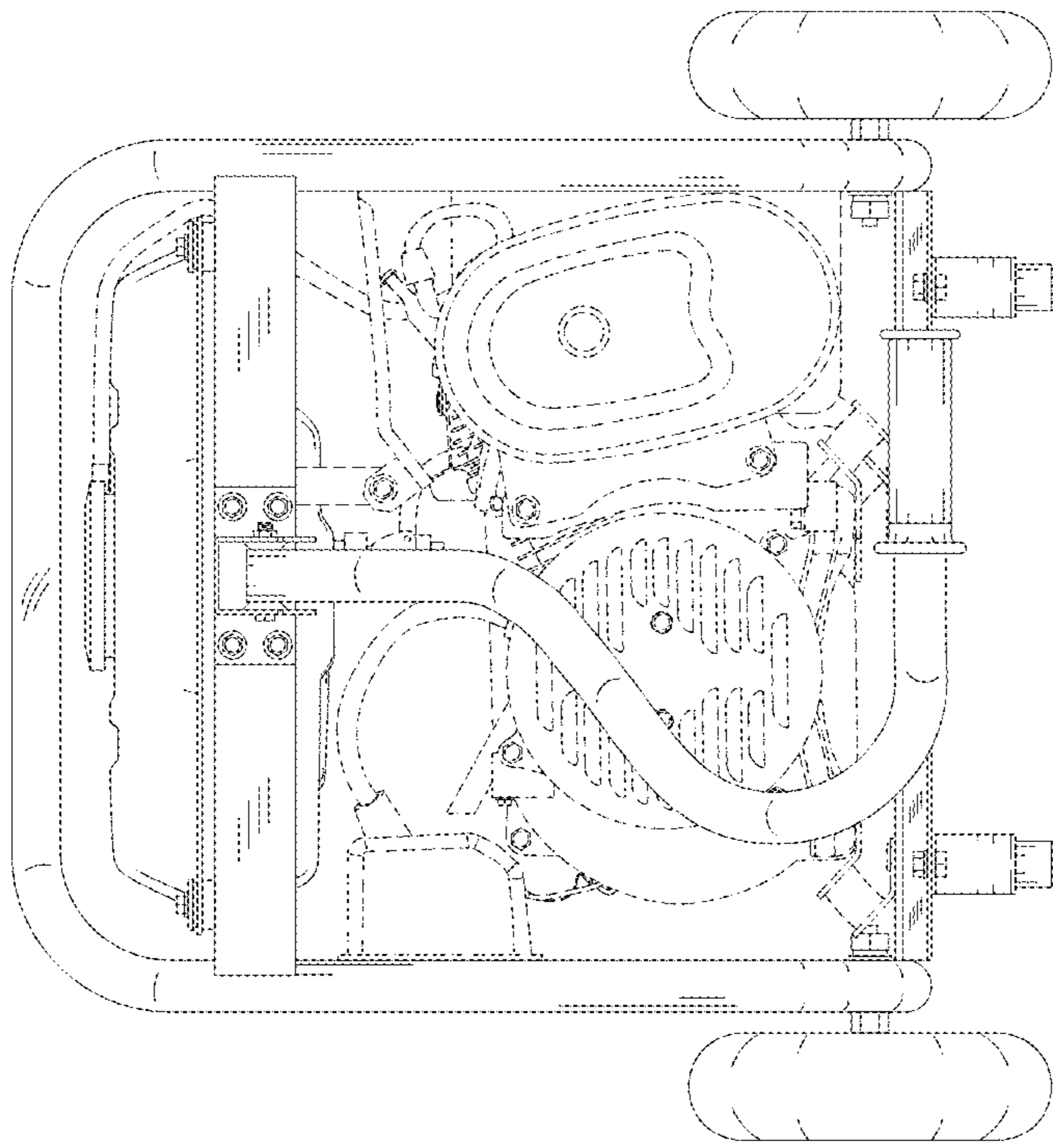


FIG. 2

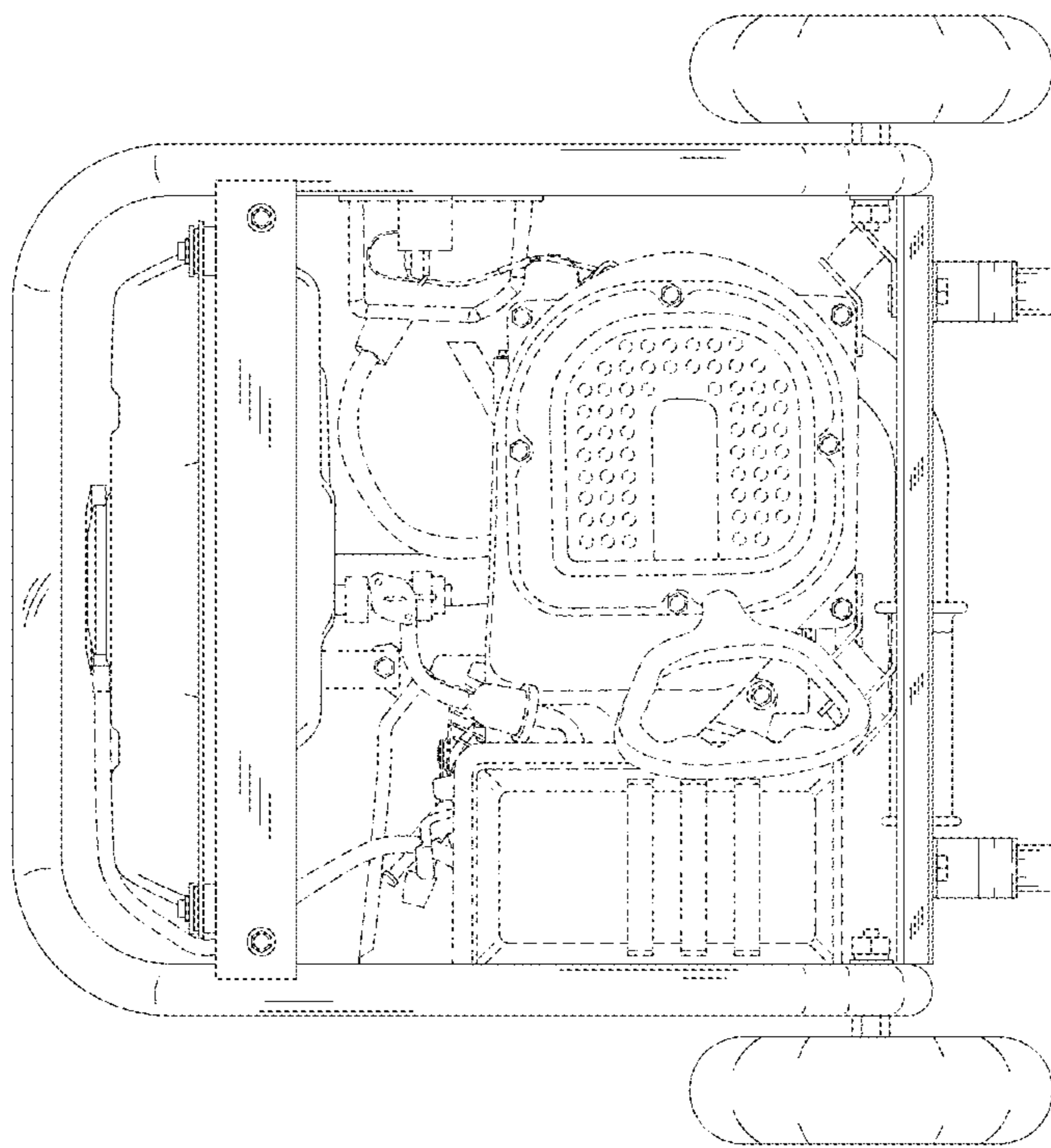


FIG. 3

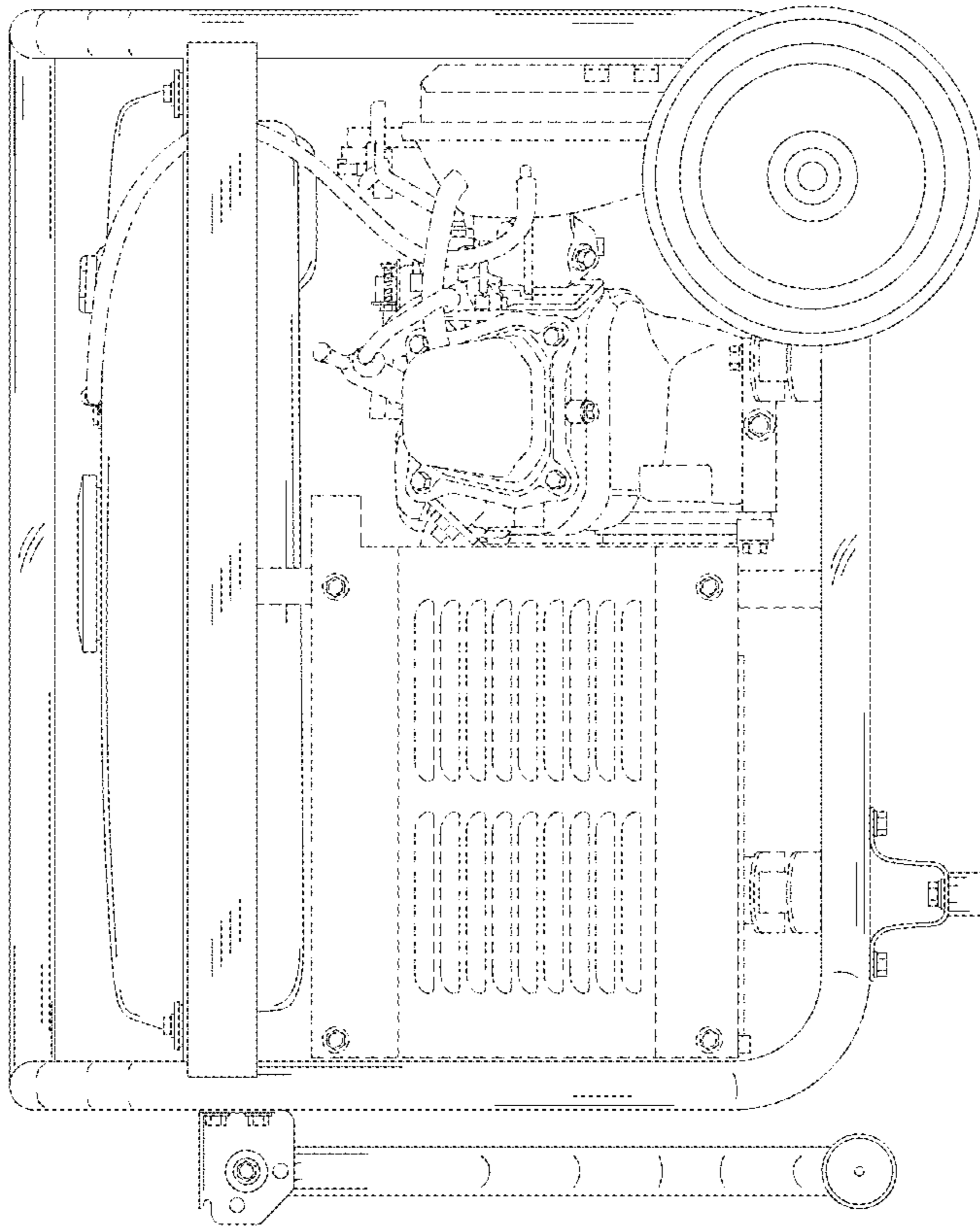


FIG. 4

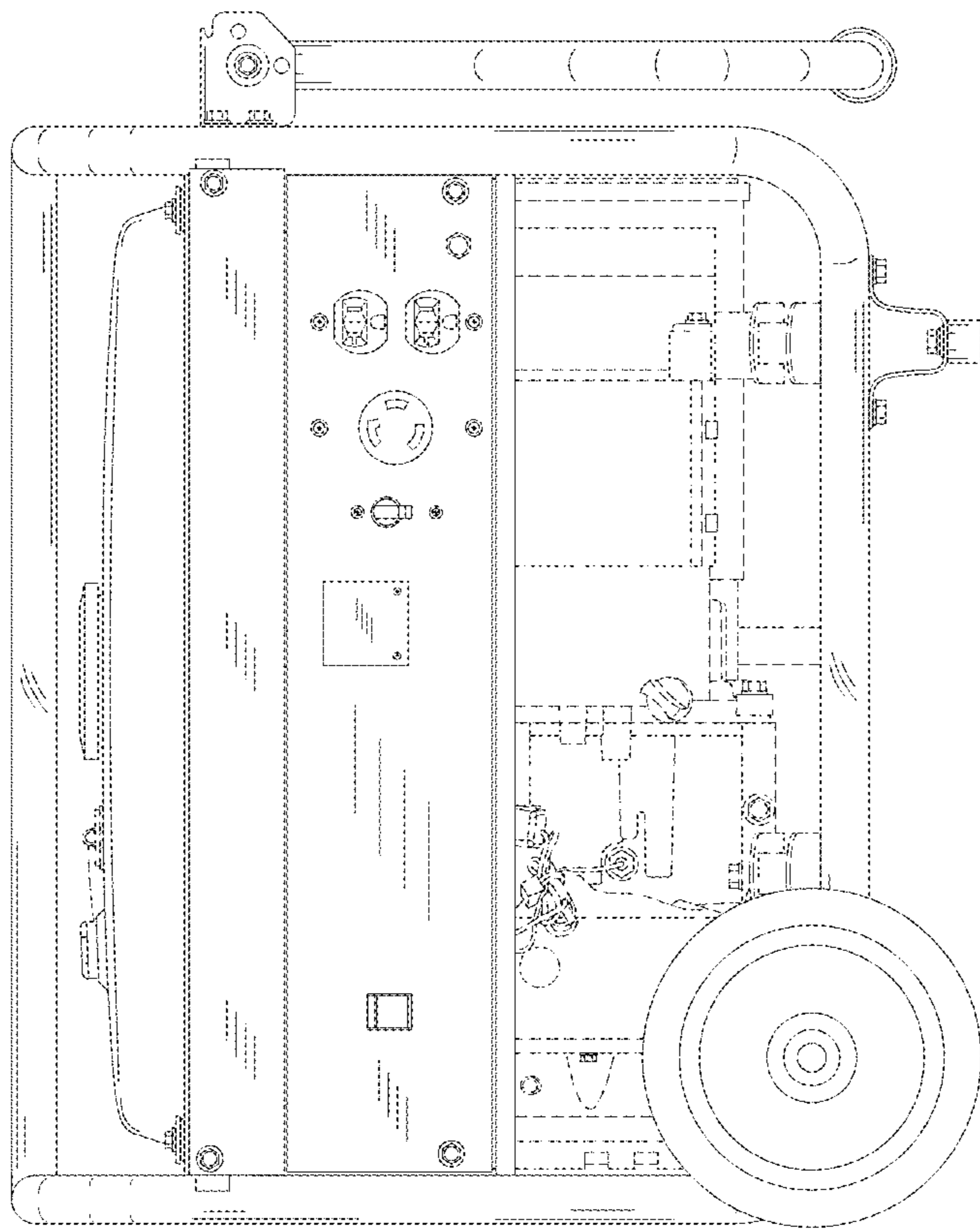


FIG. 5

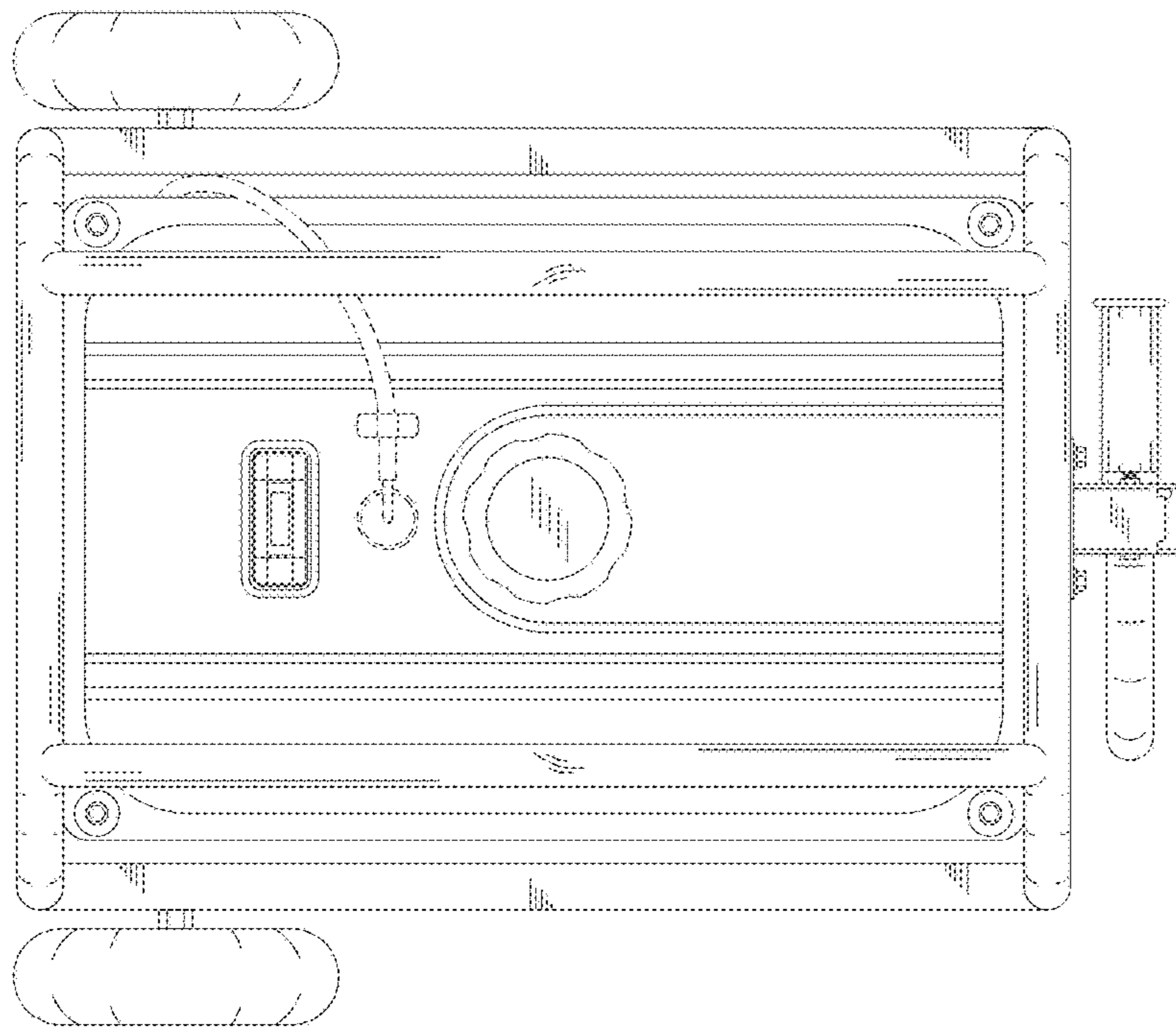


FIG. 6