



US00D828298S

(12) **United States Design Patent** (10) **Patent No.:** **US D828,298 S**
Claeys (45) **Date of Patent:** **** Sep. 11, 2018**

(54) **CURRENT TRANSDUCER**

19/0092; G01R 19/00; G01R 5/20; G01R 5/22; G01R 5/24; G01R 5/26

See application file for complete search history.

(71) Applicant: **LEM Intellectual Property SA,**
Fribourg (CH)

(56) **References Cited**

(72) Inventor: **Stephane Claeys,** Chevrier (FR)

U.S. PATENT DOCUMENTS

(73) Assignee: **LEM INTELLECTUAL PROPERTY SA,** Fribourg (CH)

D219,597 S	*	12/1970	Smith	D13/110
D260,635 S	*	9/1981	Lockwood	D13/110
D260,877 S		9/1981	Scott et al.		
D288,314 S		2/1987	Makinson et al.		
D494,078 S		8/2004	Vuillermoz		
D534,120 S		12/2006	Ricci et al.		

(Continued)

(**) Term: **15 Years**

(21) Appl. No.: **29/626,890**

FOREIGN PATENT DOCUMENTS

(22) Filed: **Nov. 21, 2017**

CN	03303685.3	8/2003
GB	3010841	2/2003

(Continued)

Related U.S. Application Data

(62) Division of application No. 29/516,496, filed on Feb. 3, 2015, now Pat. No. Des. 812,001.

OTHER PUBLICATIONS

Notice of Allowance for U.S. Appl. No. 29/626,885 dated Jul. 6, 2018.

(30) **Foreign Application Priority Data**

Aug. 27, 2014 (WO) 835662601

Primary Examiner — Derrick Holland

(51) **LOC (11) Cl.** **13-02**

(74) *Attorney, Agent, or Firm* — Harness, Dickey & Pierce, P.L.C.

(52) **U.S. Cl.**

(57) **CLAIM**

USPC **D13/110**

The ornamental design for a current transducer, as shown and described.

(58) **Field of Classification Search**

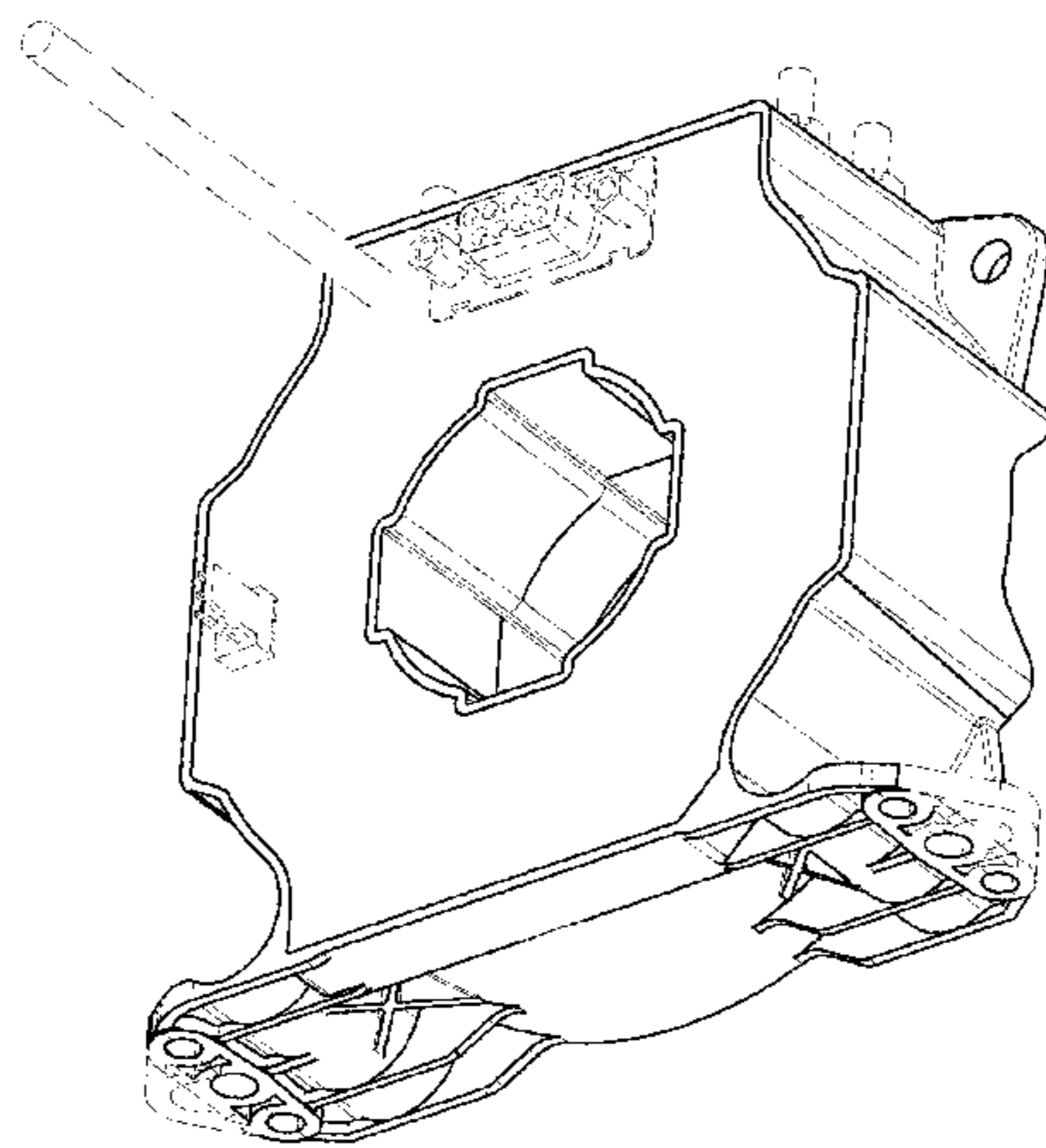
USPC D13/110, 101, 117, 123, 124, 159, 182, D13/184, 199; D10/75; 73/767, 771, 73/779, 801, 811; 324/117 H, 117 R, 324/120, 121 R, 127; 361/18, 30, 31, 361/93.1–93.9; 367/140; 369/13.11–13.13; 381/150; 336/173, 336/176, 178

DESCRIPTION

CPC H01R 13/5812; G01R 33/06; G01R 15/20; G01R 15/202; G01R 19/18; G01R 19/20; G01R 19/22; G01R 19/0084; G01R

FIG. 1 is a bottom front perspective view of a current transducer showing my new design;
FIG. 2 is a top rear perspective view thereof;
FIG. 3 is a front view thereof;
FIG. 4 is a rear view thereof;
FIG. 5 is a left side View thereof;
FIG. 6 is a right side view thereof;
FIG. 7 is a top plan view thereof; and,
FIG. 8 is a bottom plan view thereof.

(Continued)



The broken lines depict environmental subject matter only
and form no part of the claimed design.

1 Claim, 5 Drawing Sheets

(56) **References Cited**

U.S. PATENT DOCUMENTS

7,598,601	B2	10/2009	Taylor et al.	
D610,087	S	2/2010	Johnson	
D640,986	S *	7/2011	Gong	D13/154
D685,325	S	7/2013	Hayashi	
D685,734	S	7/2013	Sage	
D686,156	S	7/2013	Ye	
D688,626	S	8/2013	Ye	
8,587,399	B2	11/2013	Crutcher et al.	
D751,034	S	3/2016	Ye	
2009/0115403	A1 *	5/2009	Bernklau	G01R 15/186 324/127

FOREIGN PATENT DOCUMENTS

JP	1195975	12/2003
WO	WO-DM-062779	1/2003

* cited by examiner

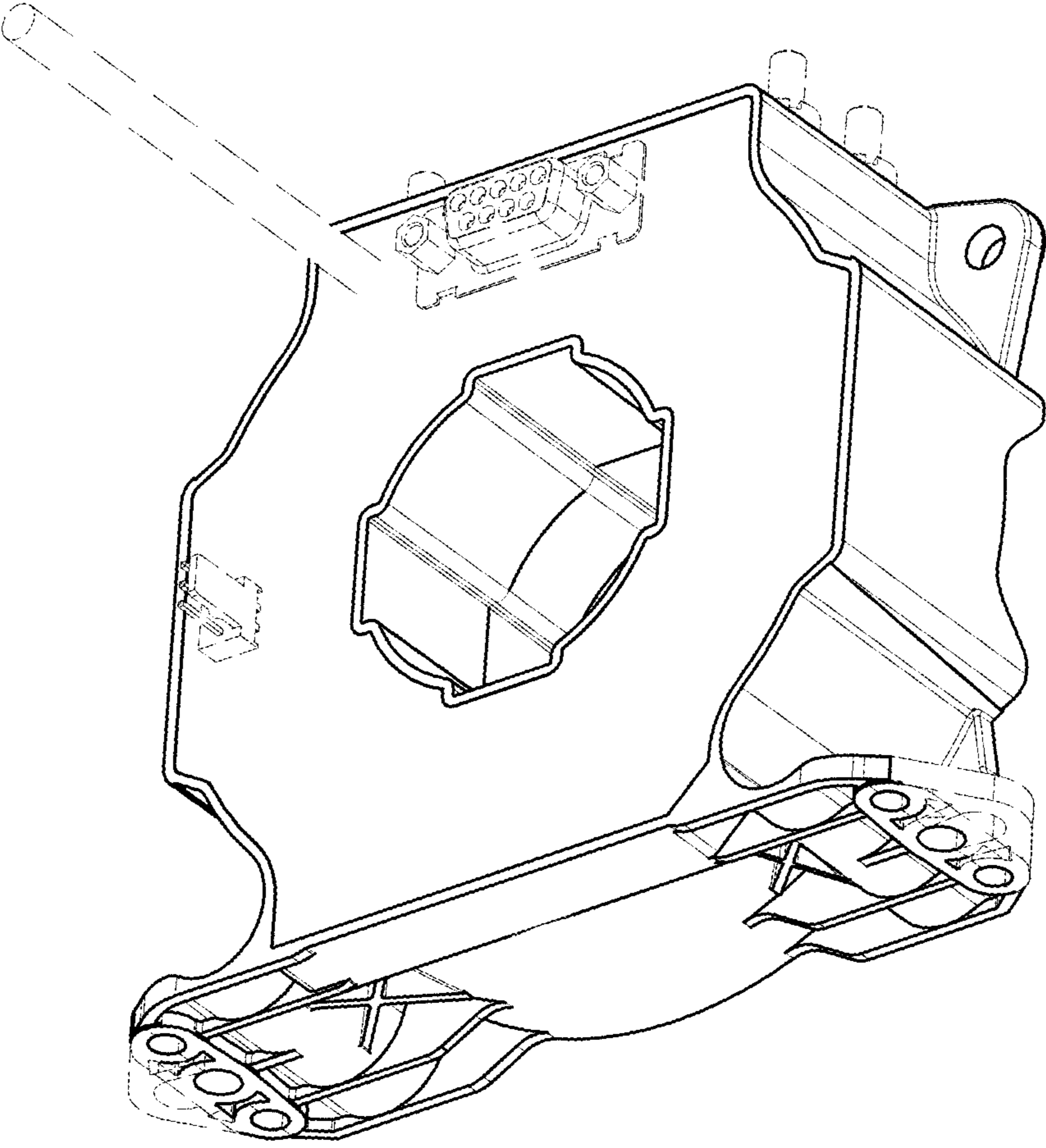


FIG. 1

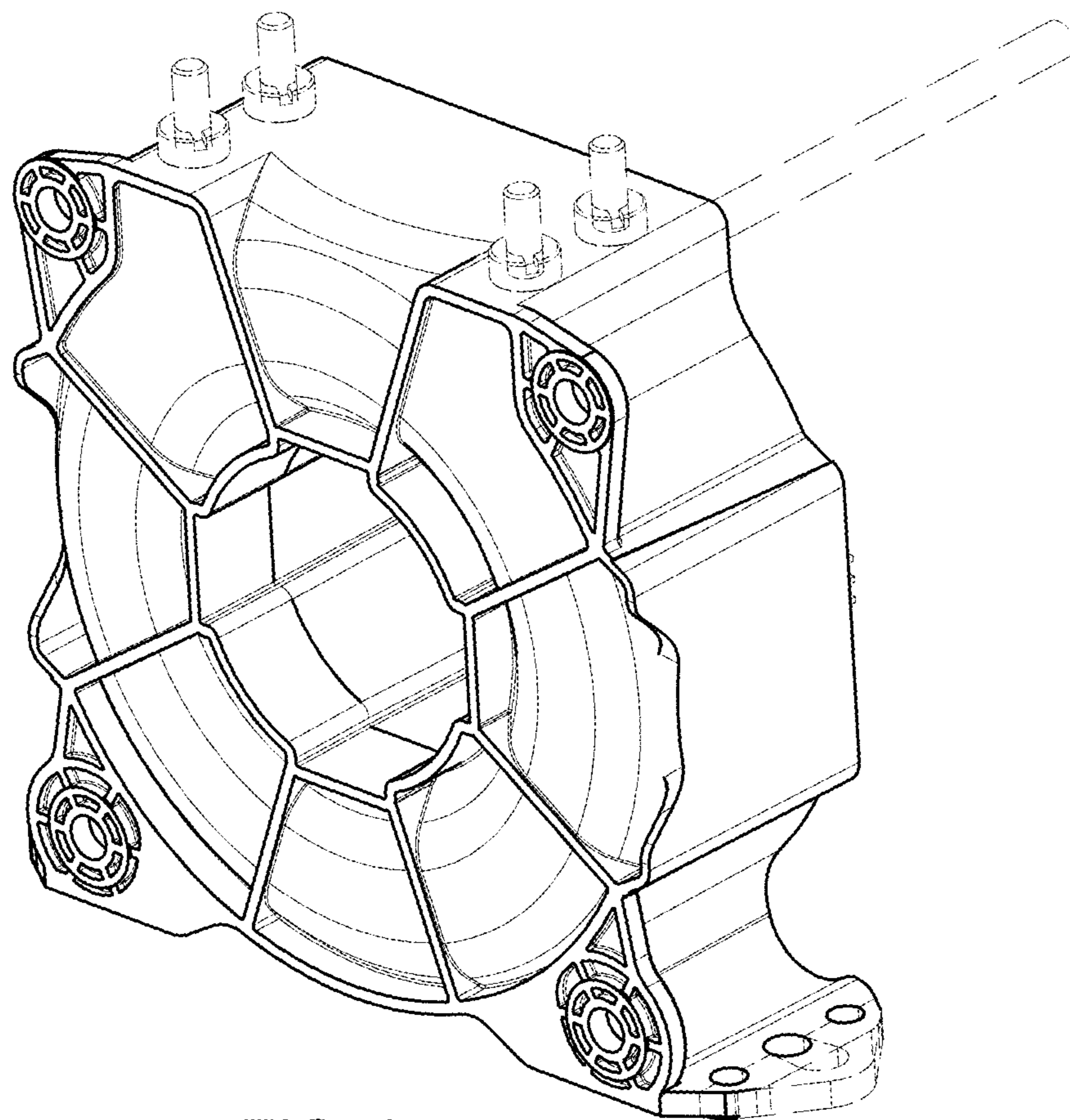


FIG. 2

FIG. 3

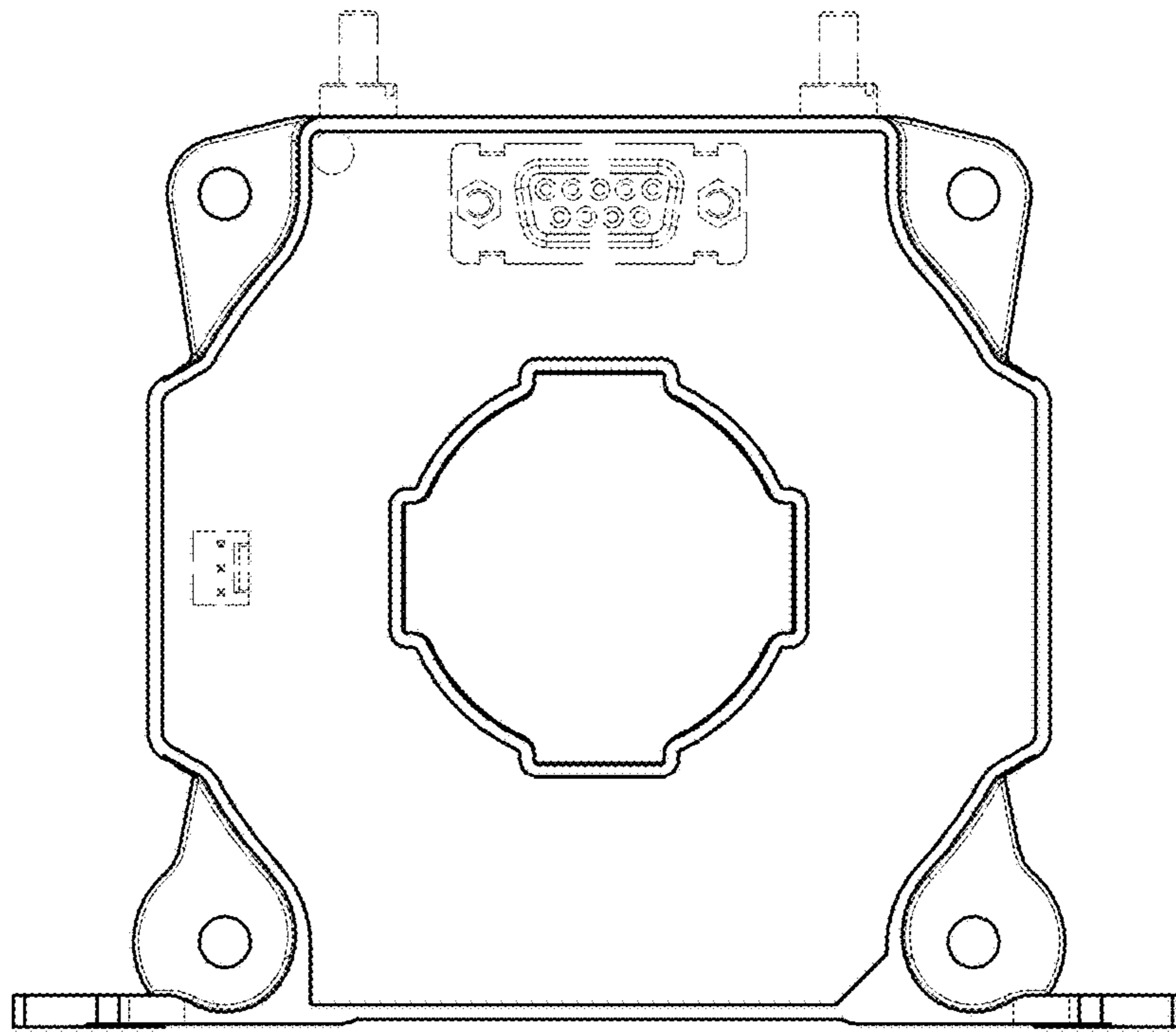


FIG. 4

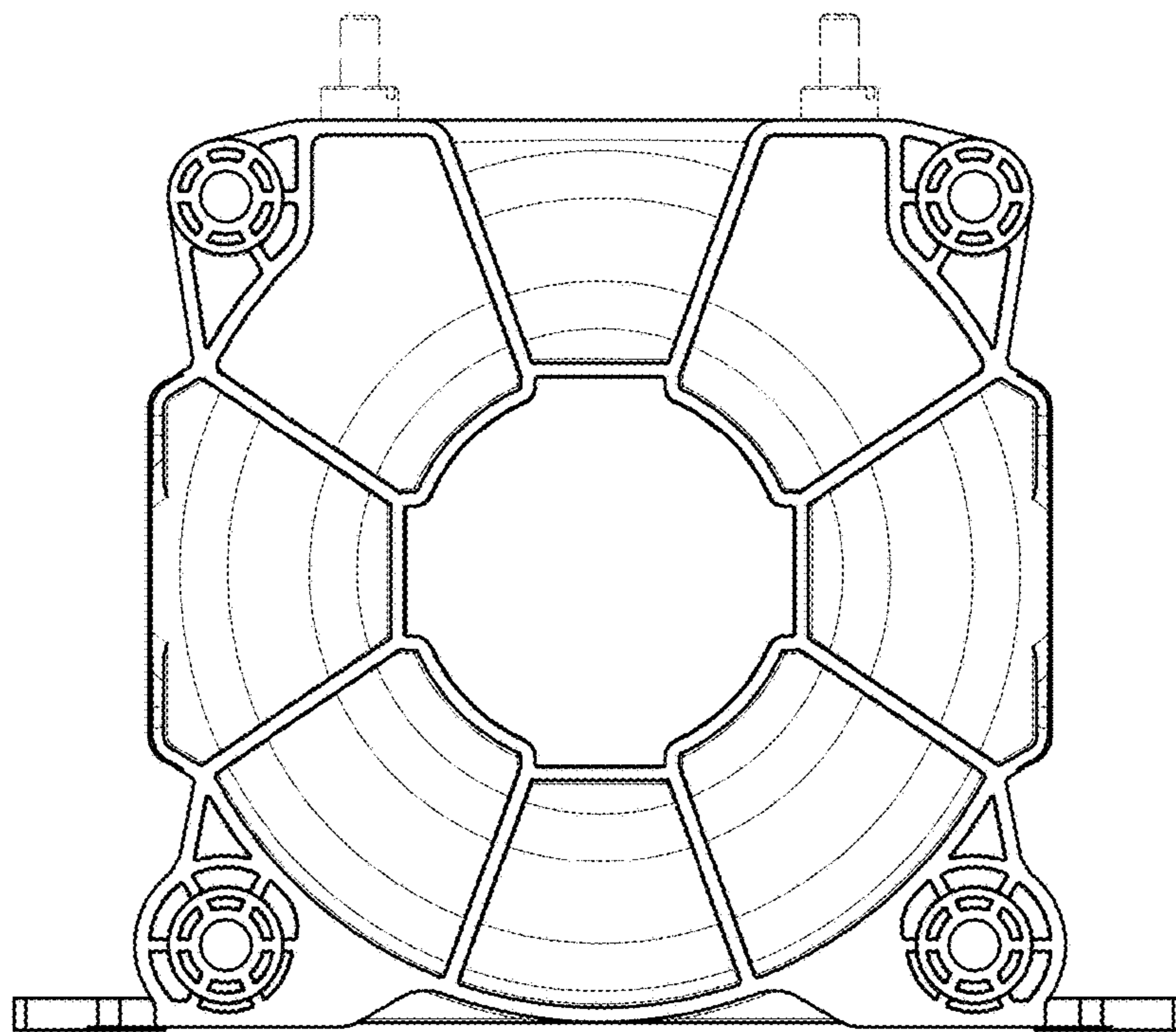


FIG. 5

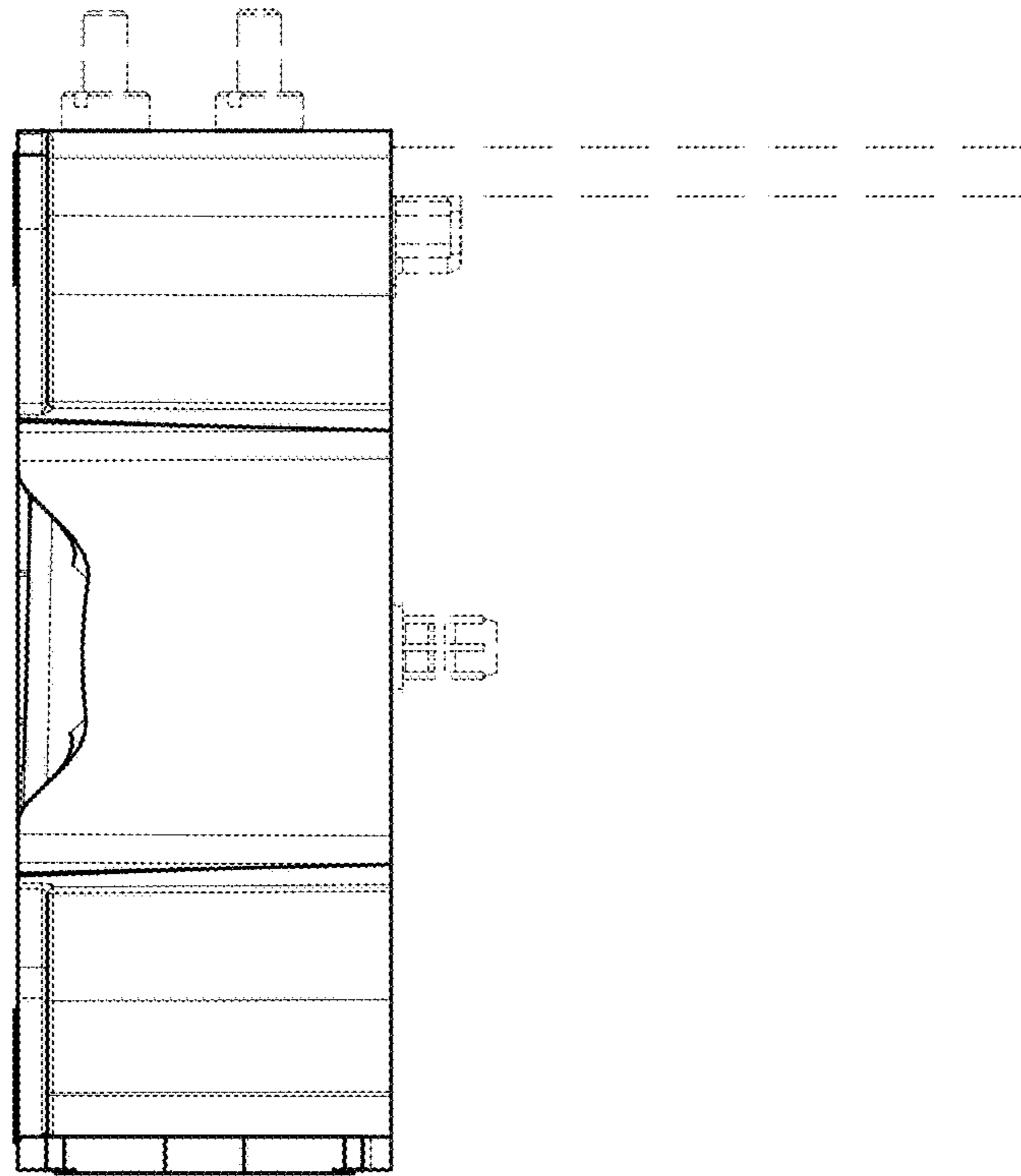
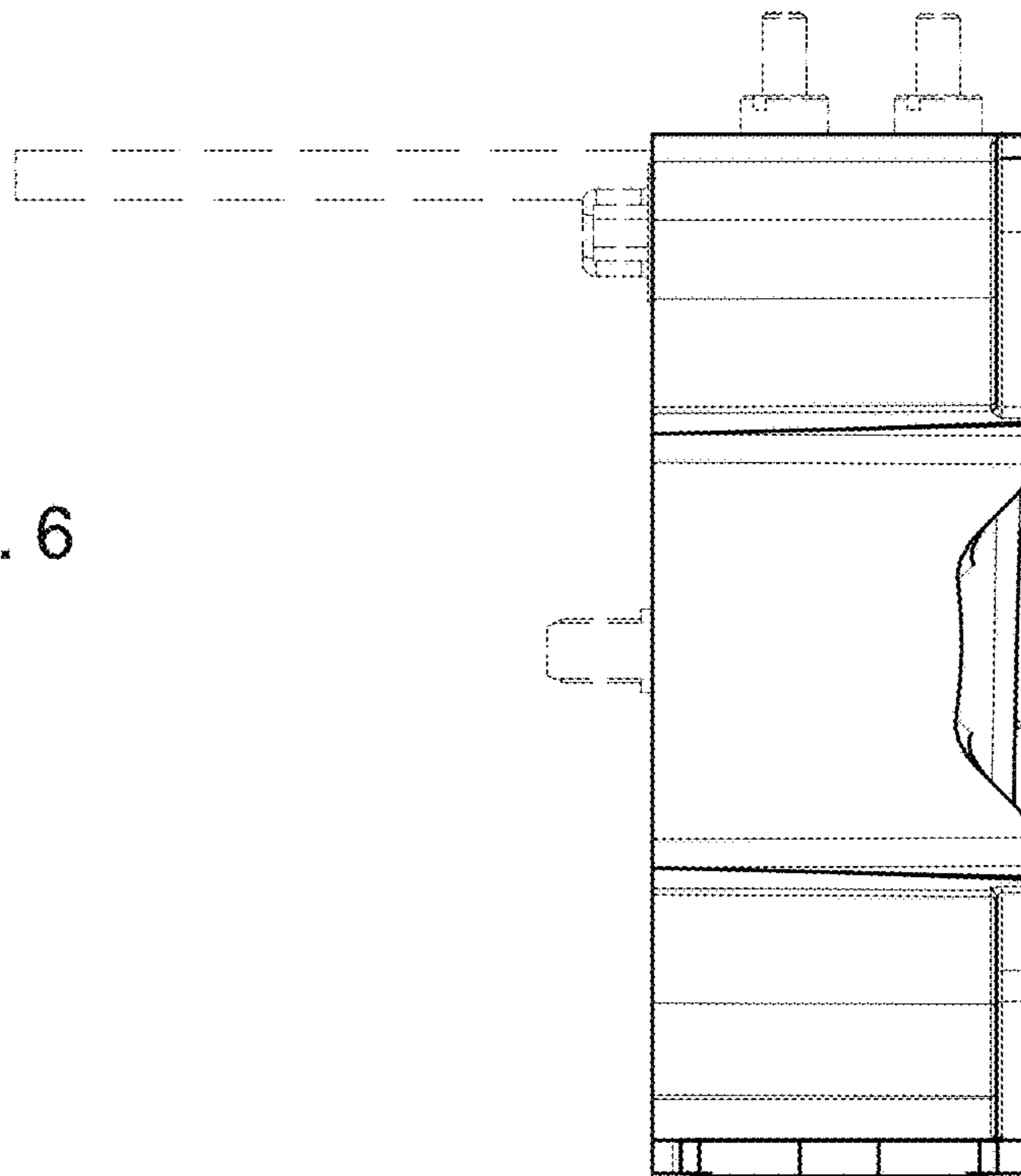


FIG. 6



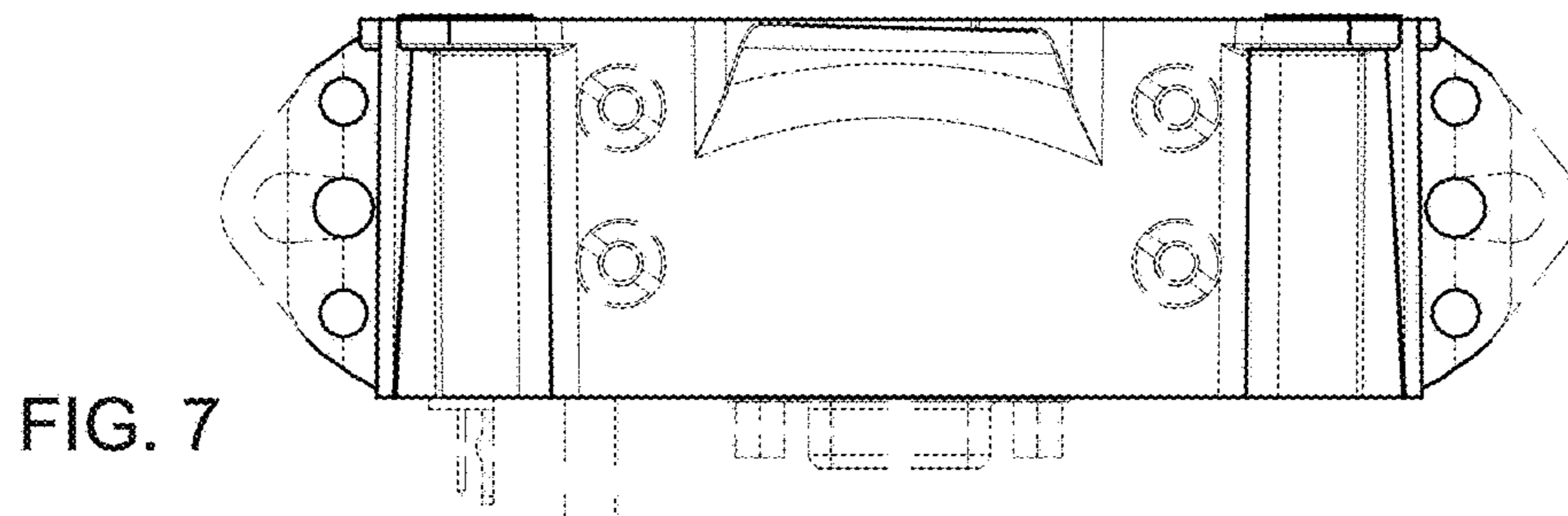


FIG. 8

