



US00D828283S

(12) **United States Design Patent**  
**Nukushina**

(10) **Patent No.:** **US D828,283 S**

(45) **Date of Patent:** **\*\* Sep. 11, 2018**

(54) **AUTOMOBILE TIRE**

(71) Applicant: **THE YOKOHAMA RUBBER CO., LTD.**, Minato-ku, Tokyo (JP)

(72) Inventor: **Ryosuke Nukushina**, Hiratsuka (JP)

(73) Assignee: **THE YOKOHAMA RUBBER CO., LTD.**, Minato-ku, Tokyo (JP)

(\*\*) Term: **15 Years**

(21) Appl. No.: **29/605,179**

(22) Filed: **May 24, 2017**

(30) **Foreign Application Priority Data**

Nov. 24, 2016 (JP) ..... 2016-025515

(51) **LOC (11) Cl.** ..... **12-15**

(52) **U.S. Cl.**  
USPC ..... **D12/532**

(58) **Field of Classification Search**  
USPC ..... D12/500-532, 604  
CPC ..... Y10T 152/10027; B60C 1/0016; B60C 11/0306; B60C 11/0302; B60C 3/06; B60C 9/17  
See application file for complete search history.

(56) **References Cited**

**U.S. PATENT DOCUMENTS**

D515,020 S \* 2/2006 Fukunaga ..... D12/521  
D586,725 S \* 2/2009 Fontaine ..... D12/519  
D590,765 S \* 4/2009 Matsumoto ..... D12/519  
D599,274 S \* 9/2009 Sakai ..... D12/515

D603,323 S \* 11/2009 Sakai ..... D12/515  
D622,655 S \* 8/2010 Ohashi ..... D12/519  
D630,997 S \* 1/2011 Wright ..... D12/516  
D651,161 S \* 12/2011 Umstot ..... D12/519  
D734,707 S \* 7/2015 Bogenschuetz ..... D12/517  
D788,686 S \* 6/2017 Nagayasu ..... D12/532

\* cited by examiner

*Primary Examiner* — Lakiya G Rogers

*Assistant Examiner* — John A Voytek

(74) *Attorney, Agent, or Firm* — Banner & Witcoff, Ltd.

(57) **CLAIM**

The ornamental design for an automobile tire, as shown and described.

**DESCRIPTION**

FIG. 1 is a perspective view of an automobile tire showing my new design;  
FIG. 2 is a front view thereof;  
FIG. 3 is a rear view thereof;  
FIG. 4 is a right side view thereof;  
FIG. 5 is a left side view thereof;  
FIG. 6 is a top view thereof;  
FIG. 7 is a bottom view thereof;  
FIG. 8 is a partially enlarged view of a portion defined by lines 8-8 shown in FIG. 1;  
FIG. 9 is a partially enlarged view of a portion defined by lines 9-9 shown in FIG. 2; and,  
FIG. 10 is a cross sectional view of a portion defined by lines 10-10 shown in FIG. 9.

In the drawings, the broken lines depict environmental subject matter only and form no part of the claimed design.

**1 Claim, 10 Drawing Sheets**

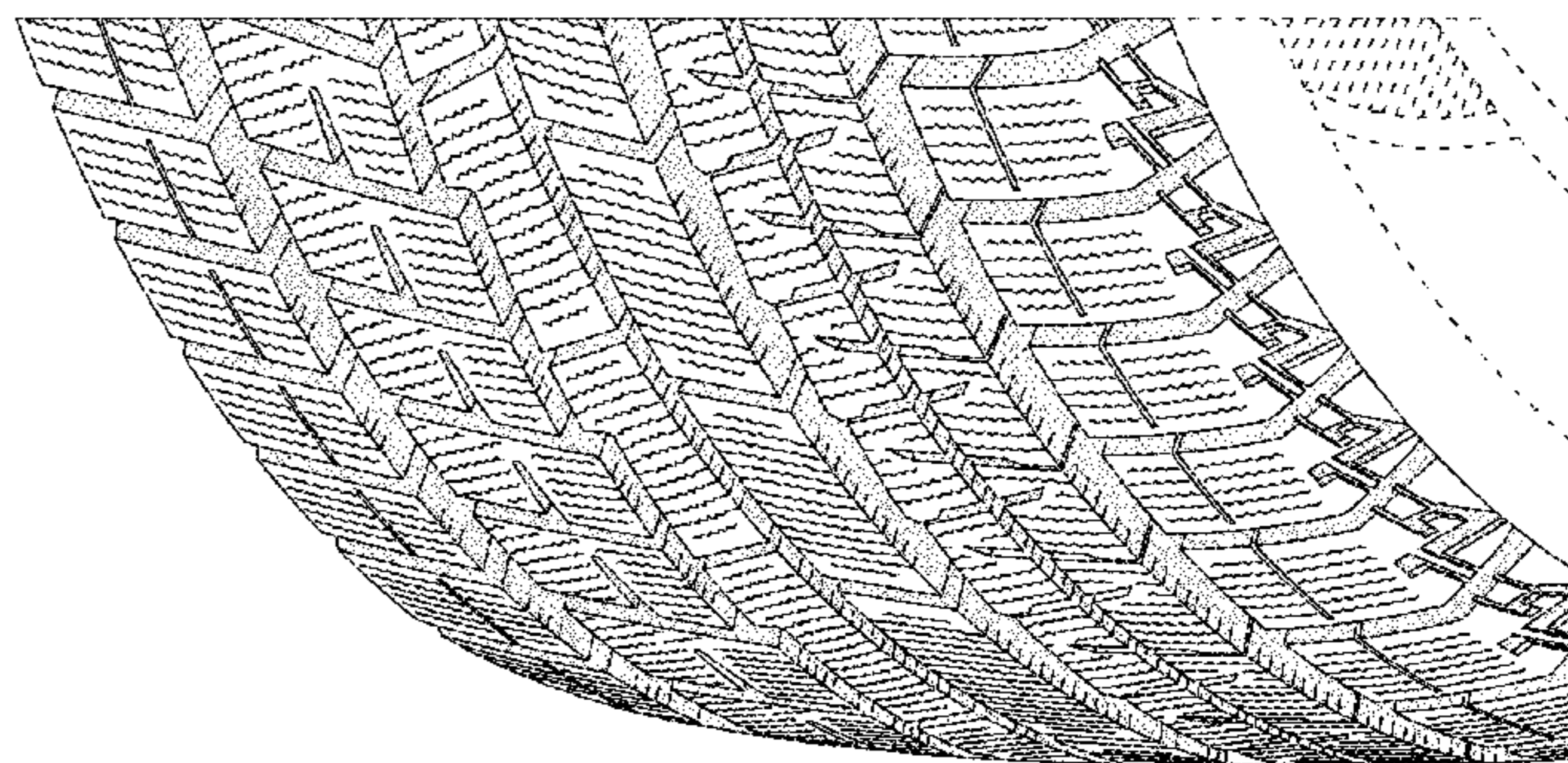
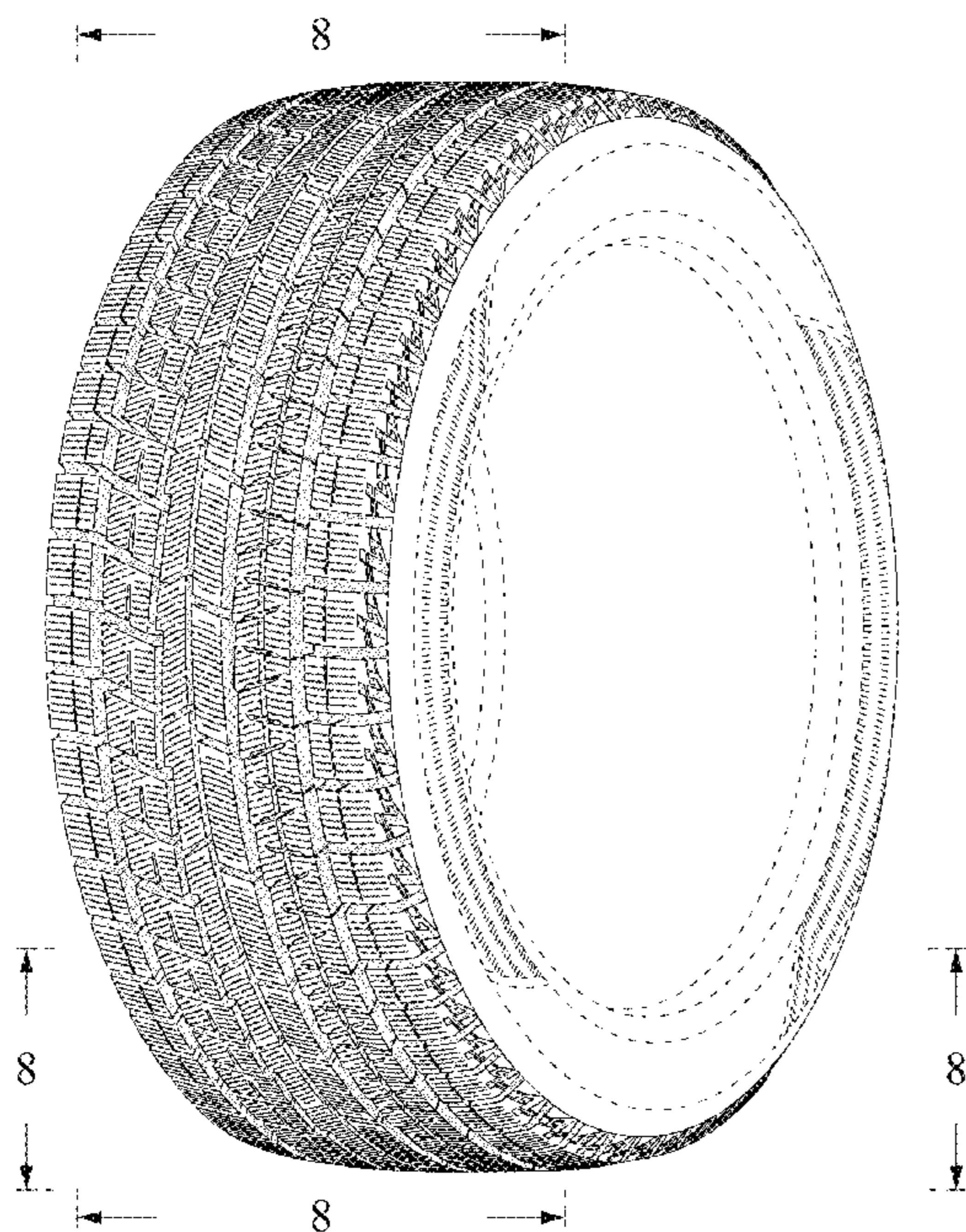


FIG. 1

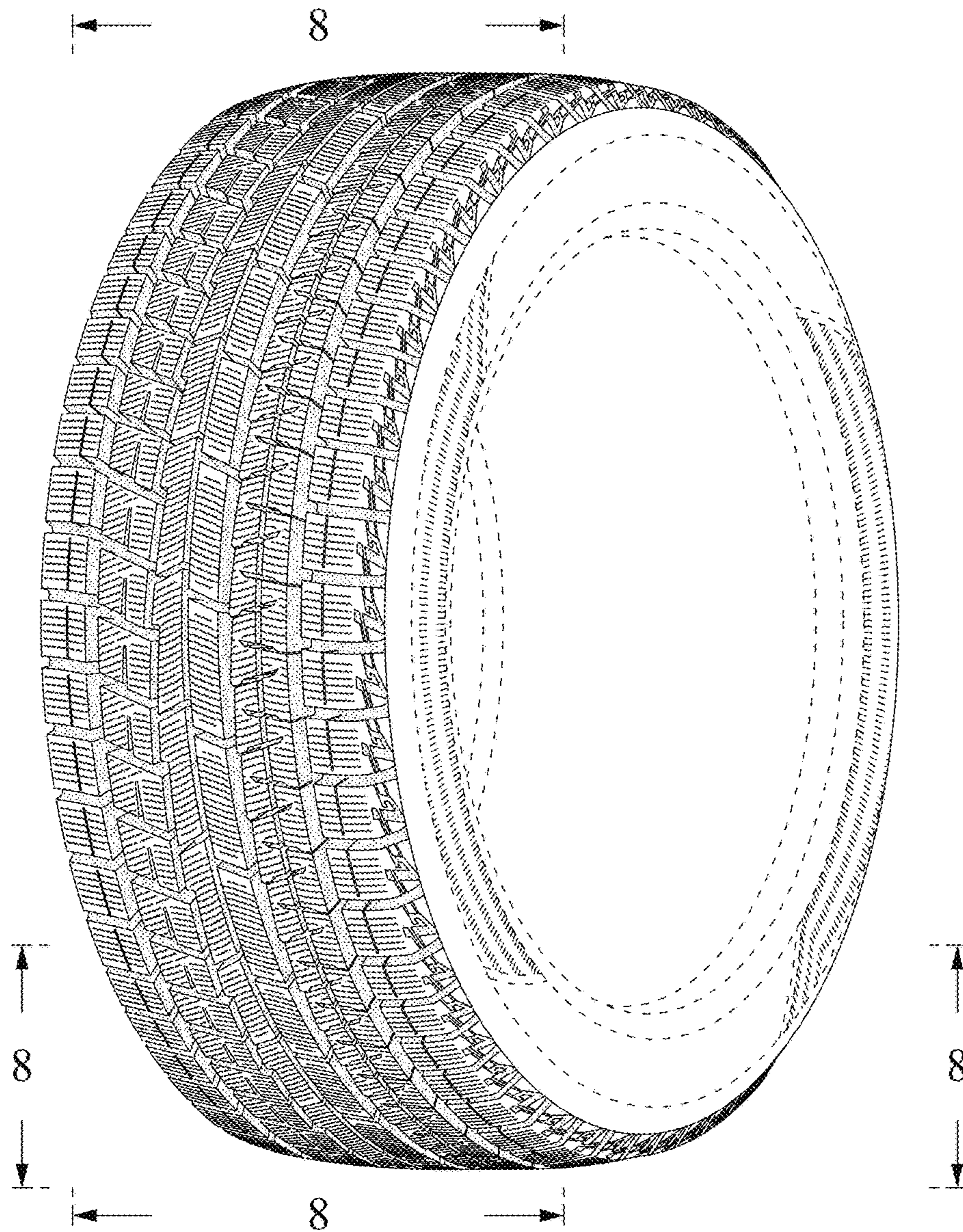
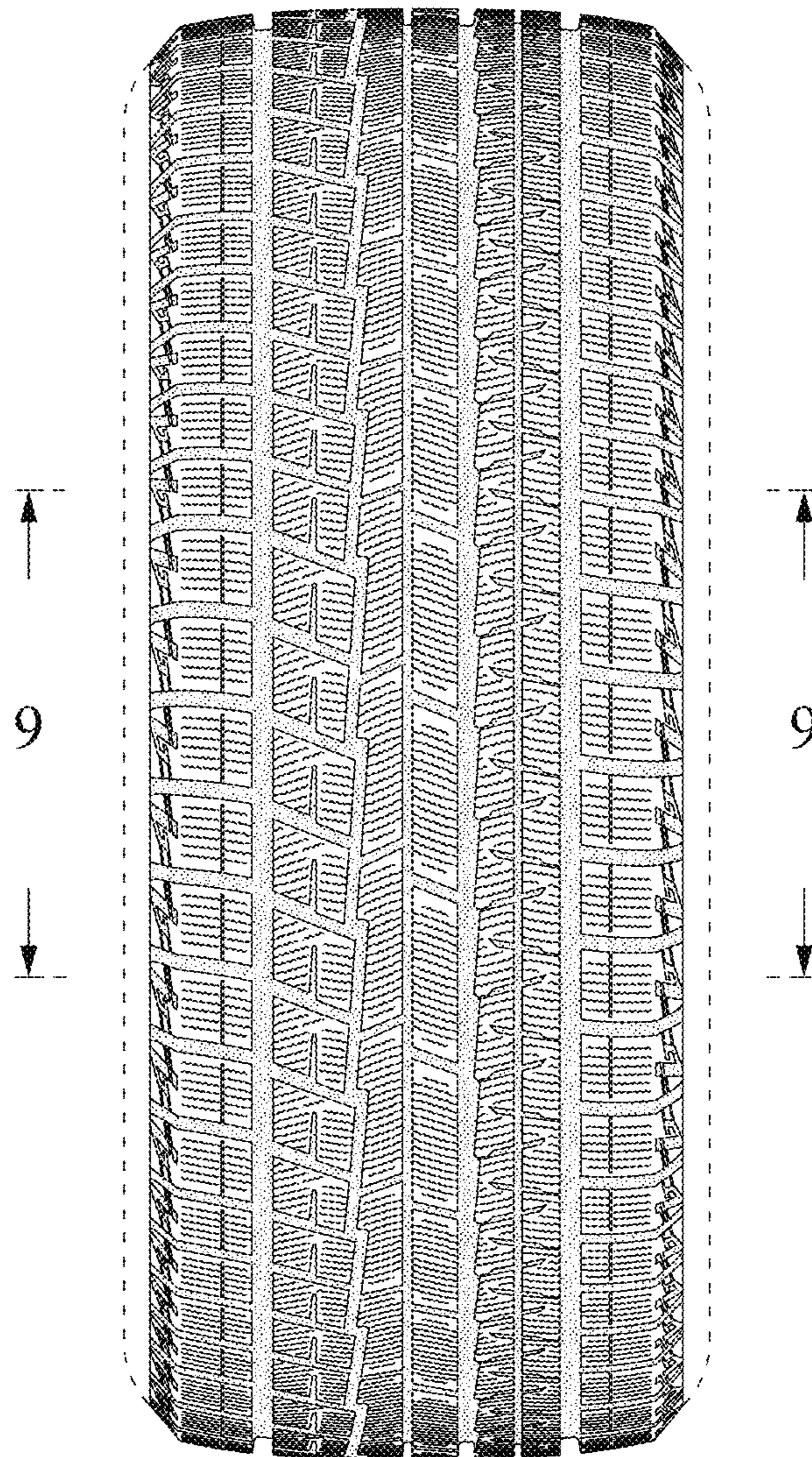


FIG. 2



**FIG. 3**

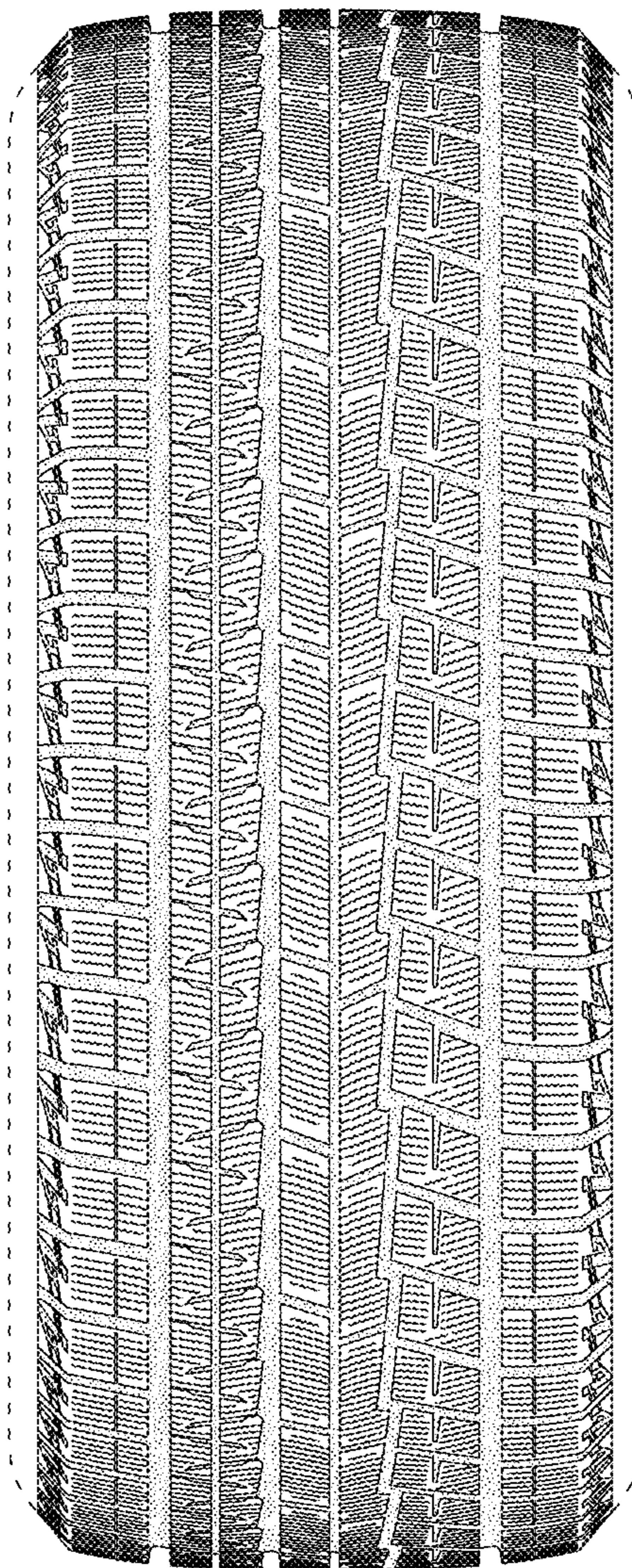


FIG. 4

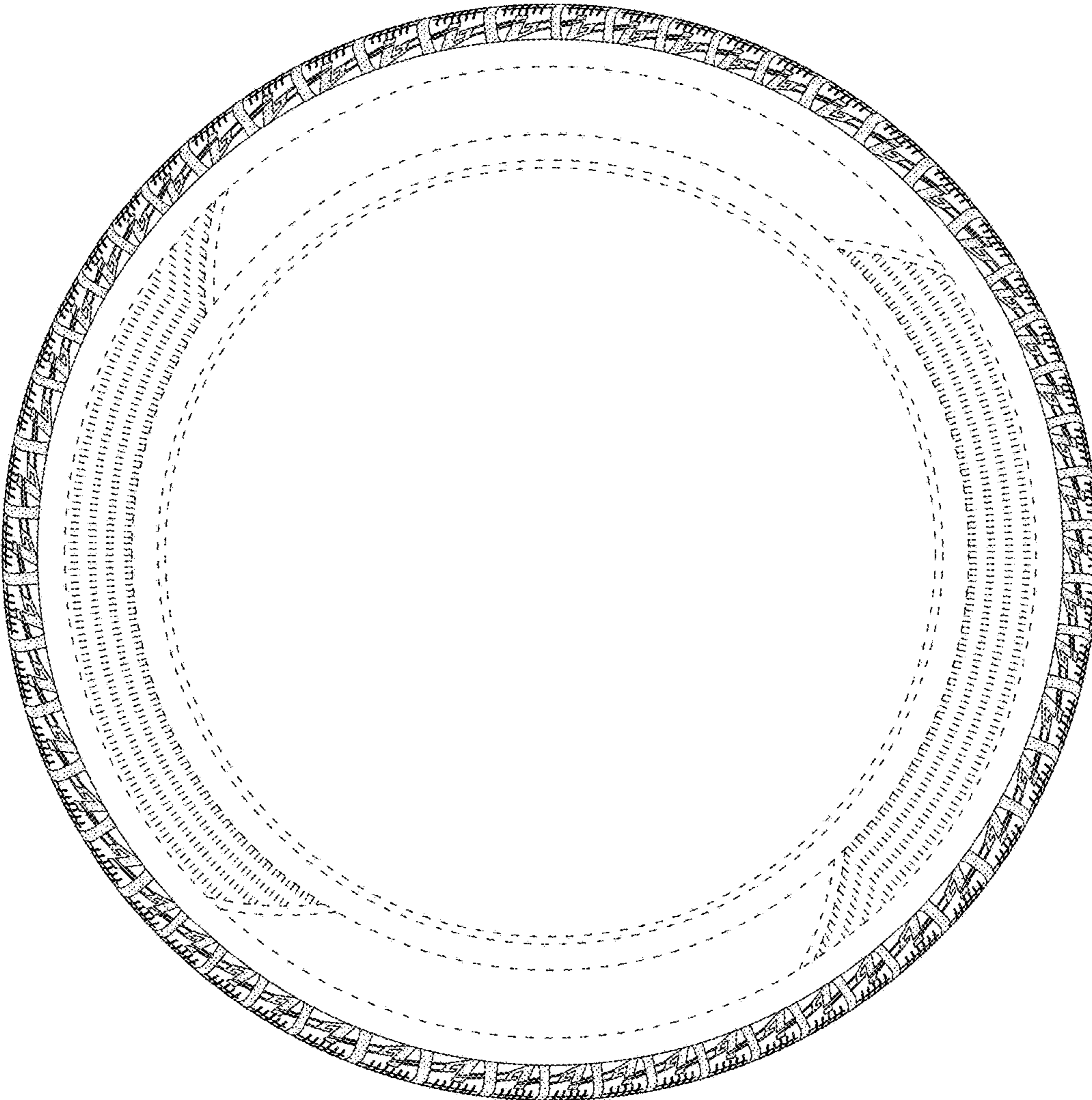
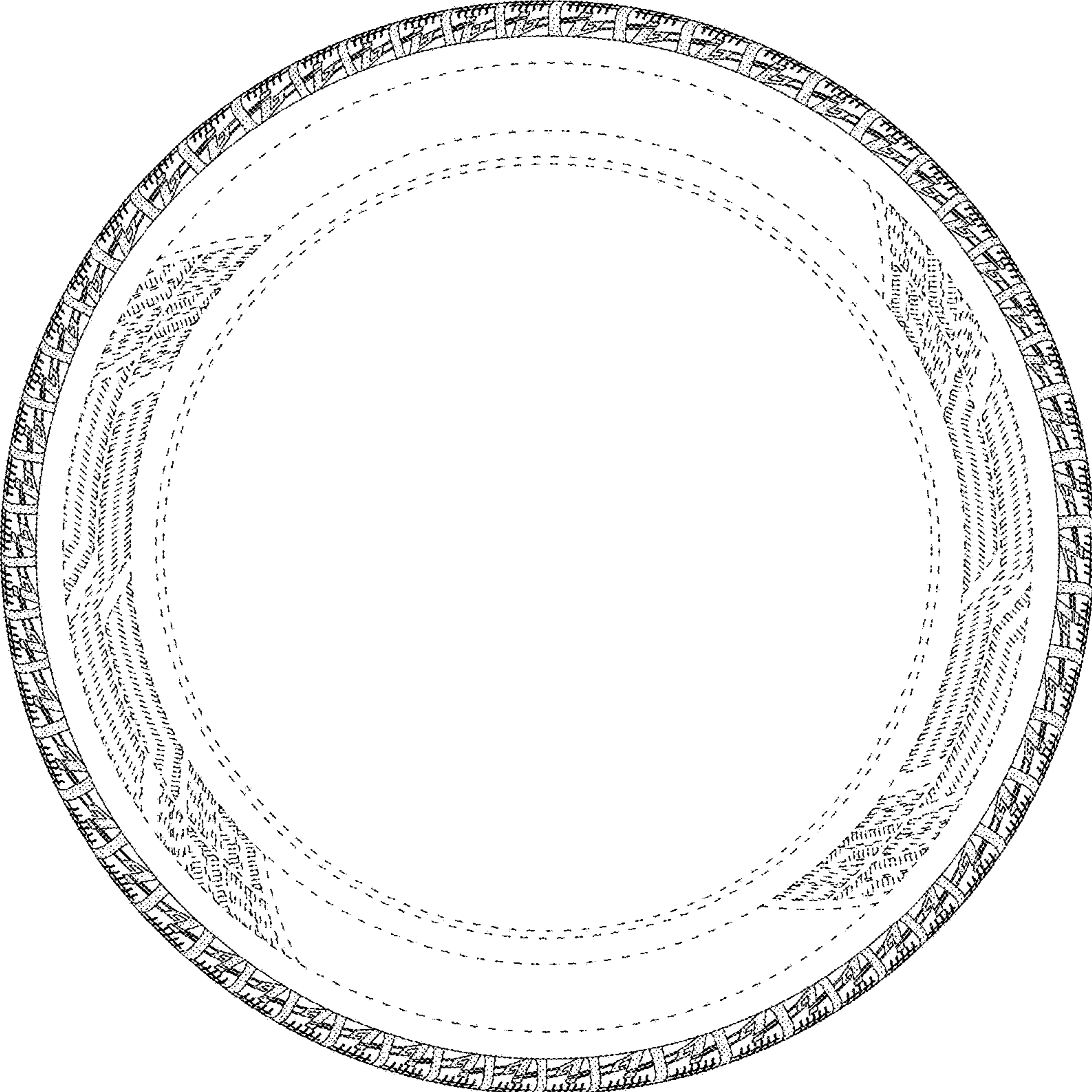
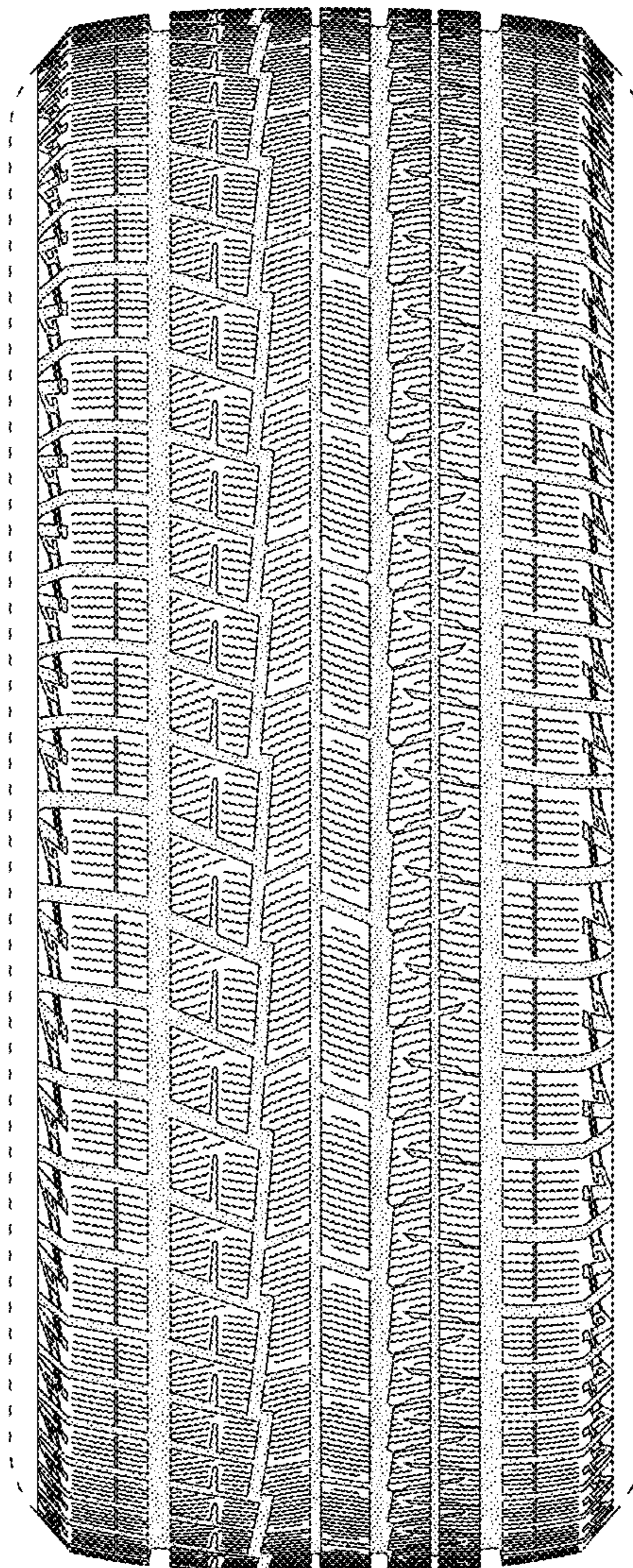


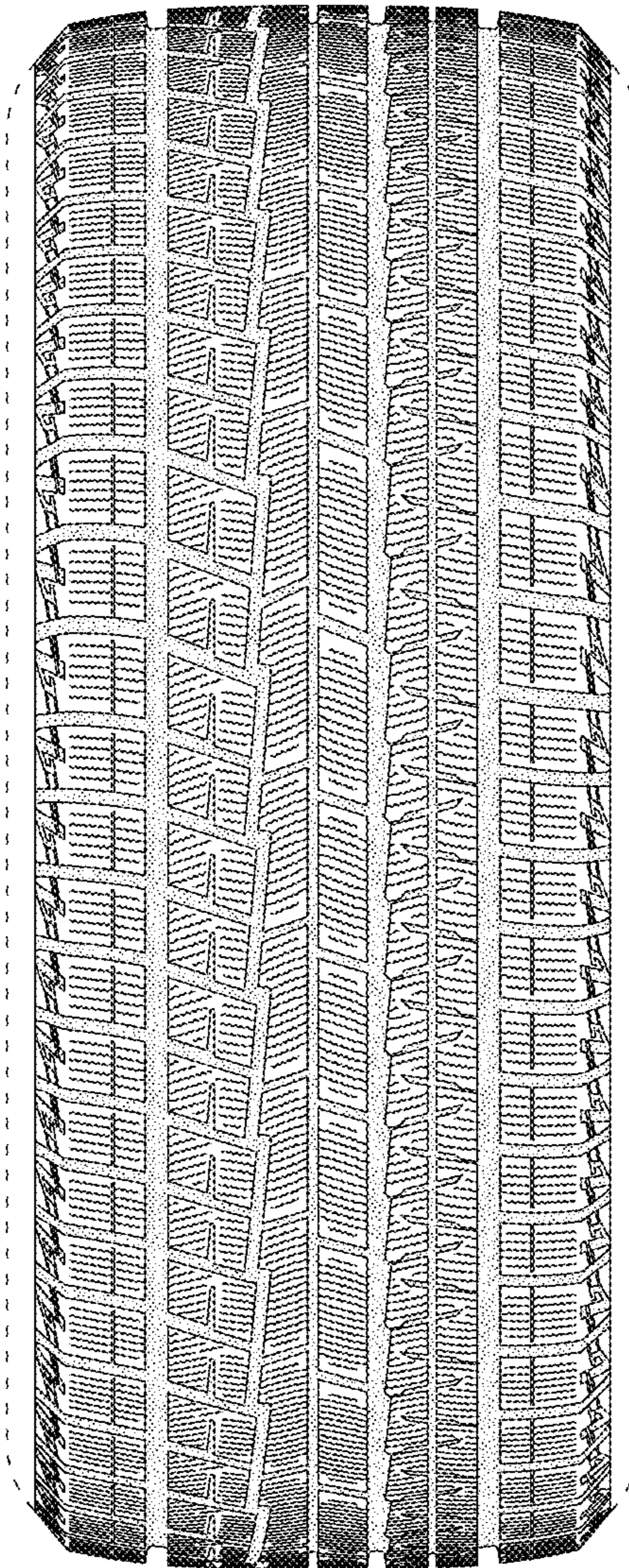
FIG. 5



**FIG. 6**



**FIG. 7**





**FIG. 8**

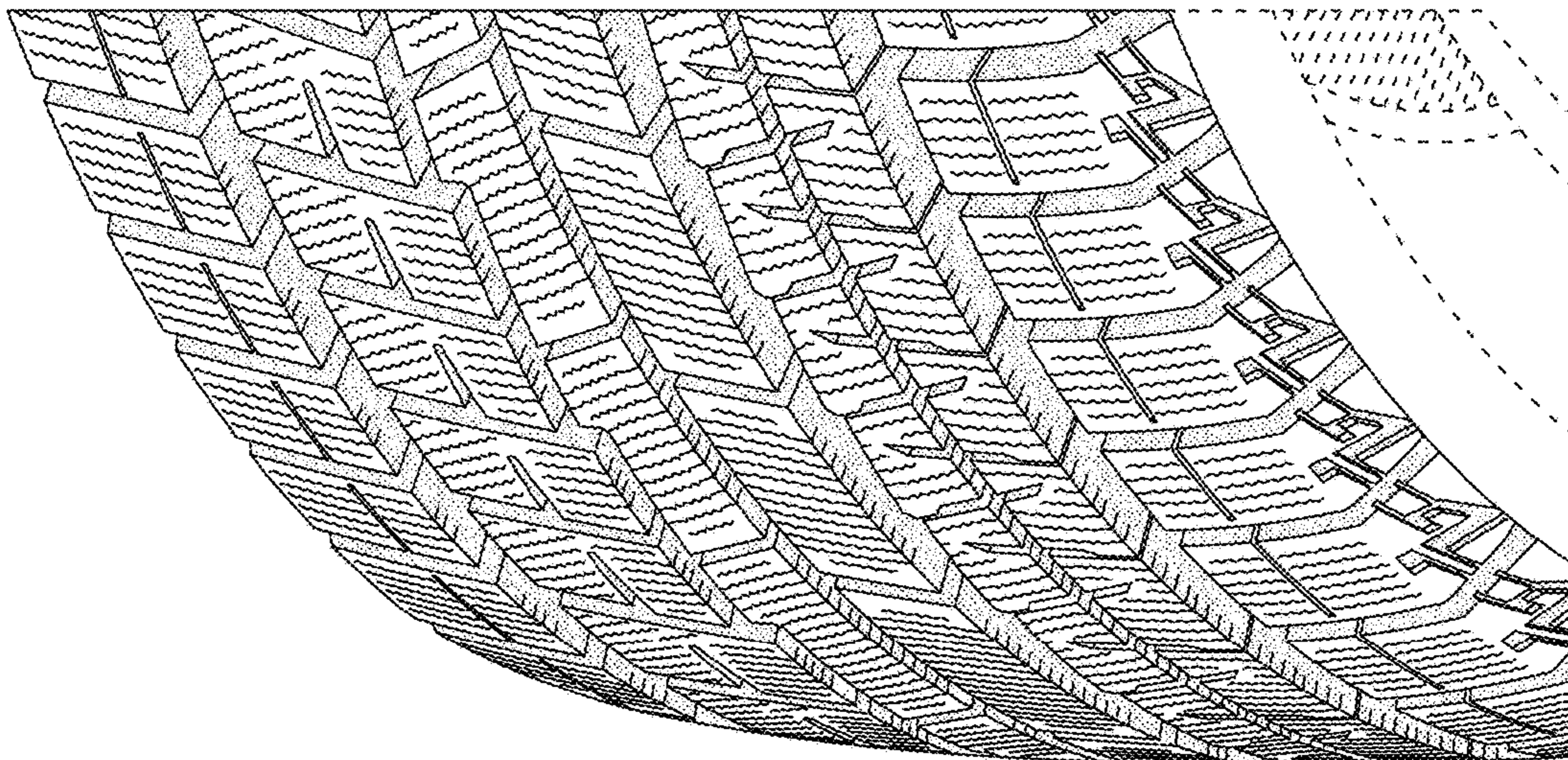
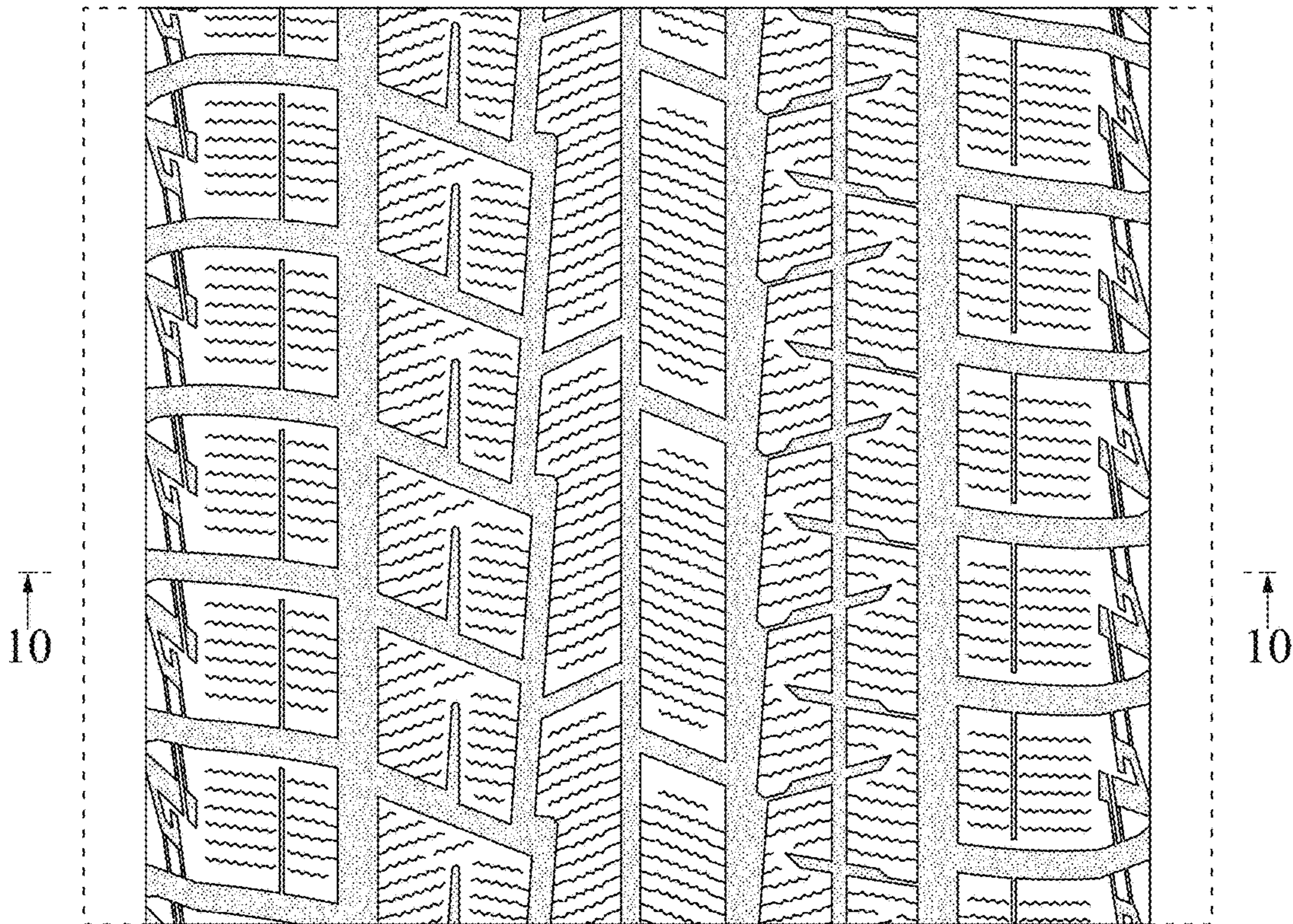


FIG. 9



**FIG. 10**

