



US00D828282S

(12) **United States Design Patent**
Nukushina

(10) **Patent No.:** **US D828,282 S**

(45) **Date of Patent:** **** Sep. 11, 2018**

(54) **AUTOMOBILE TIRE**

(71) Applicant: **THE YOKOHAMA RUBBER CO., LTD.**, Minato-ku, Toyko (JP)

(72) Inventor: **Ryosuke Nukushina**, Hiratsuka (JP)

(73) Assignee: **THE YOKOHAMA RUBBER CO., LTD.**, Minato-ku, Tokyo (JP)

(**) Term: **15 Years**

(21) Appl. No.: **29/605,129**

(22) Filed: **May 24, 2017**

(30) **Foreign Application Priority Data**

Nov. 24, 2016 (JP) 2016-025514

(51) **LOC (11) Cl.** **12-15**

(52) **U.S. Cl.**
USPC **D12/531**

(58) **Field of Classification Search**
USPC D12/500-532, 604
CPC Y10T 152/10027; B60C 1/0016; B60C 11/0306; B60C 11/0302; B60C 3/06; B60C 9/17

See application file for complete search history.

(56) **References Cited**

U.S. PATENT DOCUMENTS

D515,020 S * 2/2006 Fukunaga D12/521
D586,725 S * 2/2009 Fontaine D12/519

D590,765 S * 4/2009 Matsumoto D12/519
D599,274 S * 9/2009 Sakai D12/515
D603,323 S * 11/2009 Sakai D12/515
D630,997 S * 1/2011 Wright D12/516
D651,161 S * 12/2011 Umstot D12/519
D788,686 S * 6/2017 Nagayasu D12/532

* cited by examiner

Primary Examiner — Lakiya G Rogers

(74) *Attorney, Agent, or Firm* — Banner & Witcoff, Ltd.

(57) **CLAIM**

The ornamental design for an automobile tire, as shown and described.

DESCRIPTION

FIG. 1 is a perspective view of an automobile tire showing my new design;

FIG. 2 is a front view thereof;

FIG. 3 is a rear view thereof;

FIG. 4 is a right side view thereof;

FIG. 5 is a left side view thereof;

FIG. 6 is a top view thereof;

FIG. 7 is a bottom view thereof;

FIG. 8 is a partially enlarged view of a portion defined by lines 8-8 shown in FIG. 1;

FIG. 9 is a partially enlarged view of a portion defined by lines 9-9 shown in FIG. 2; and,

FIG. 10 is a cross sectional view of a portion defined by lines 10-10 shown in FIG. 9.

In the drawings, the broken lines depict environmental subject matter only and form no part of the claimed design.

1 Claim, 10 Drawing Sheets

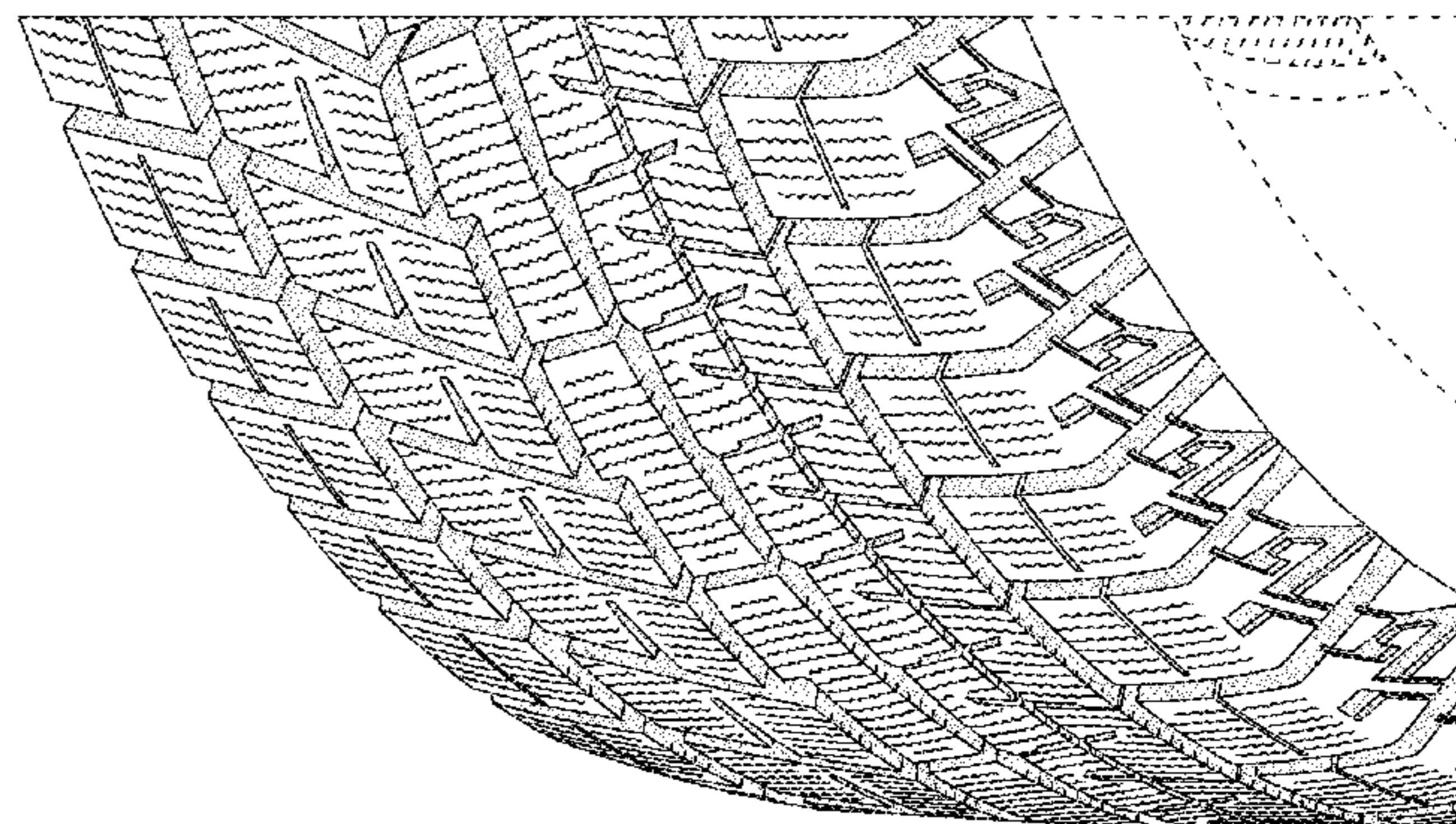
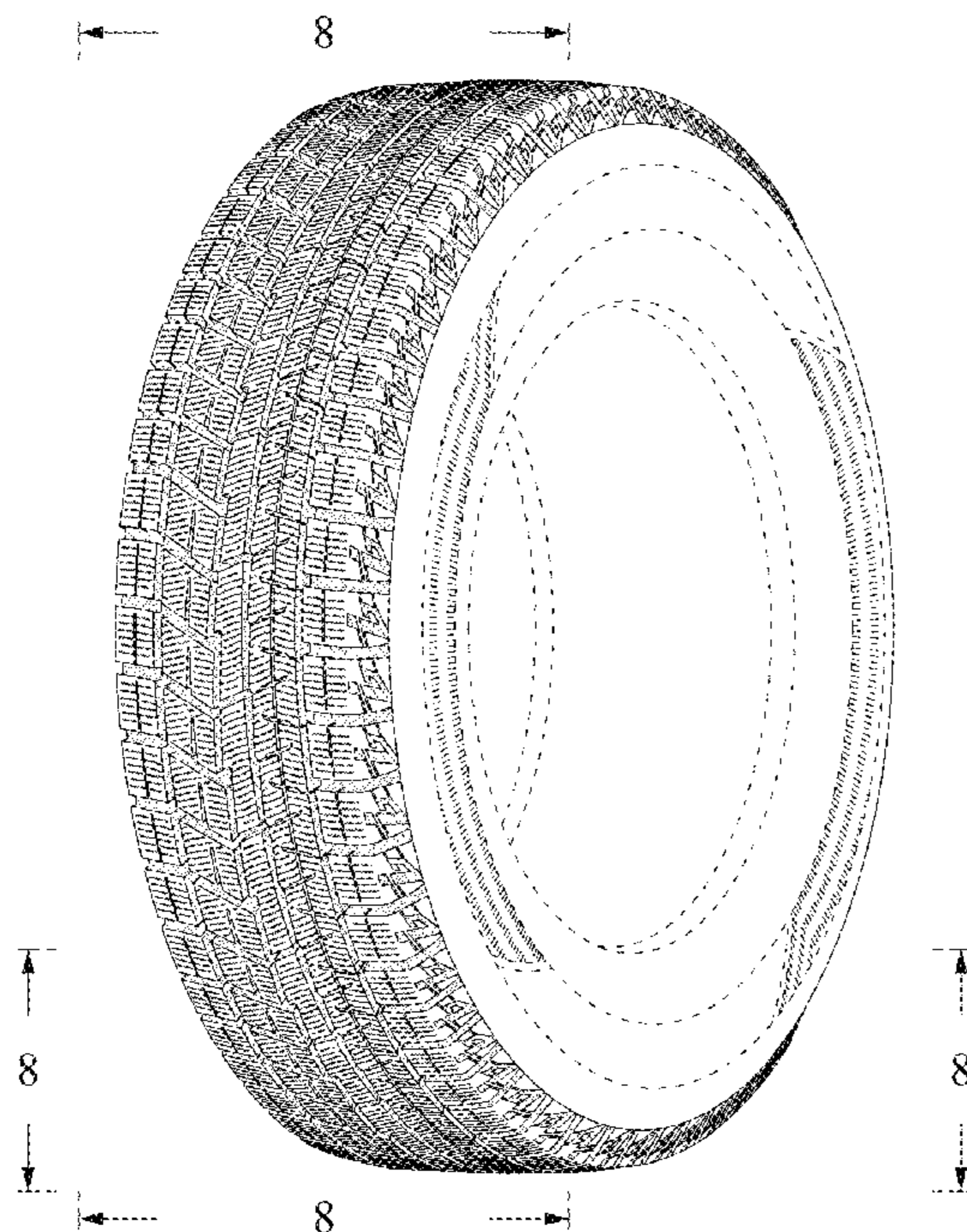


FIG. 1

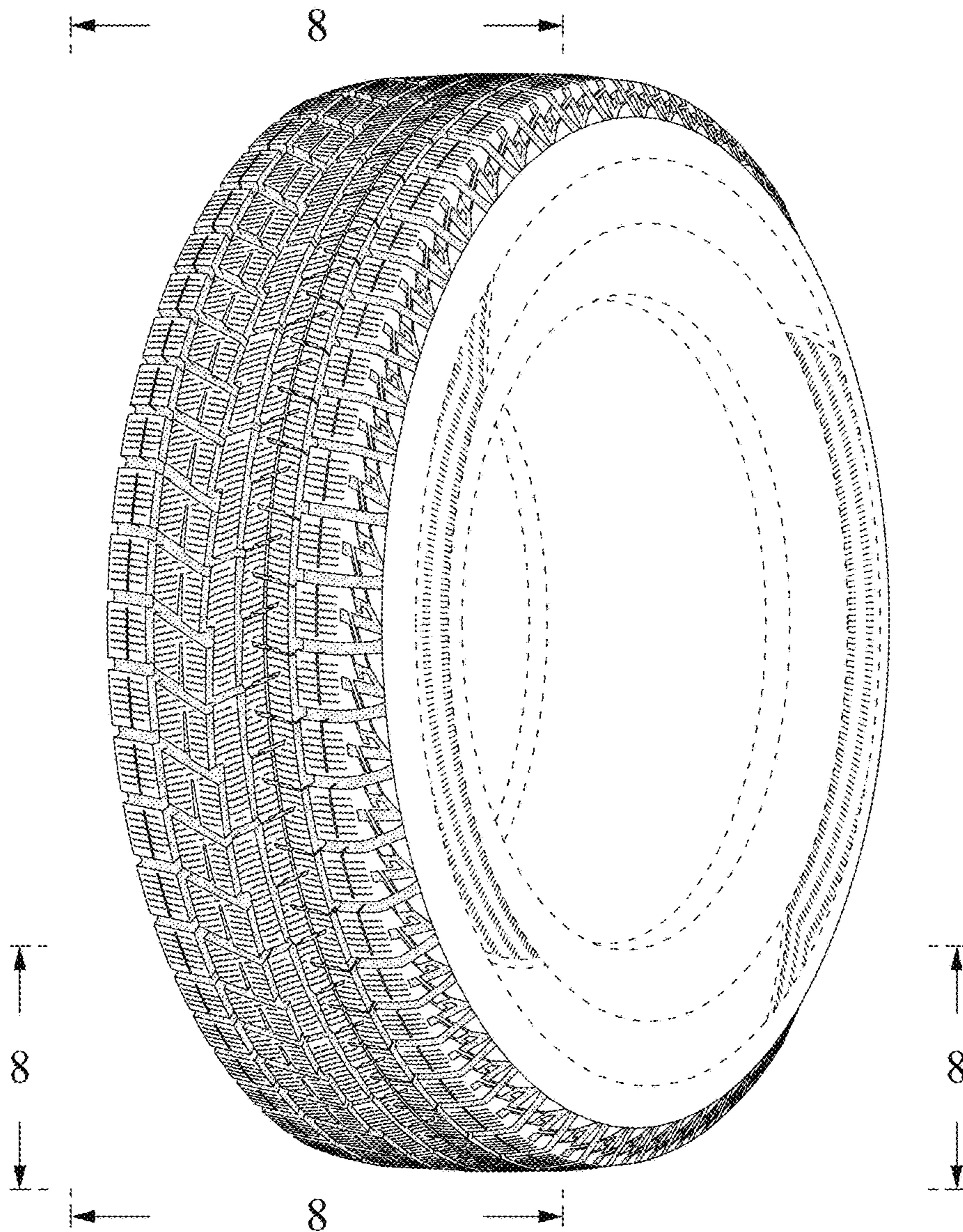


FIG. 2

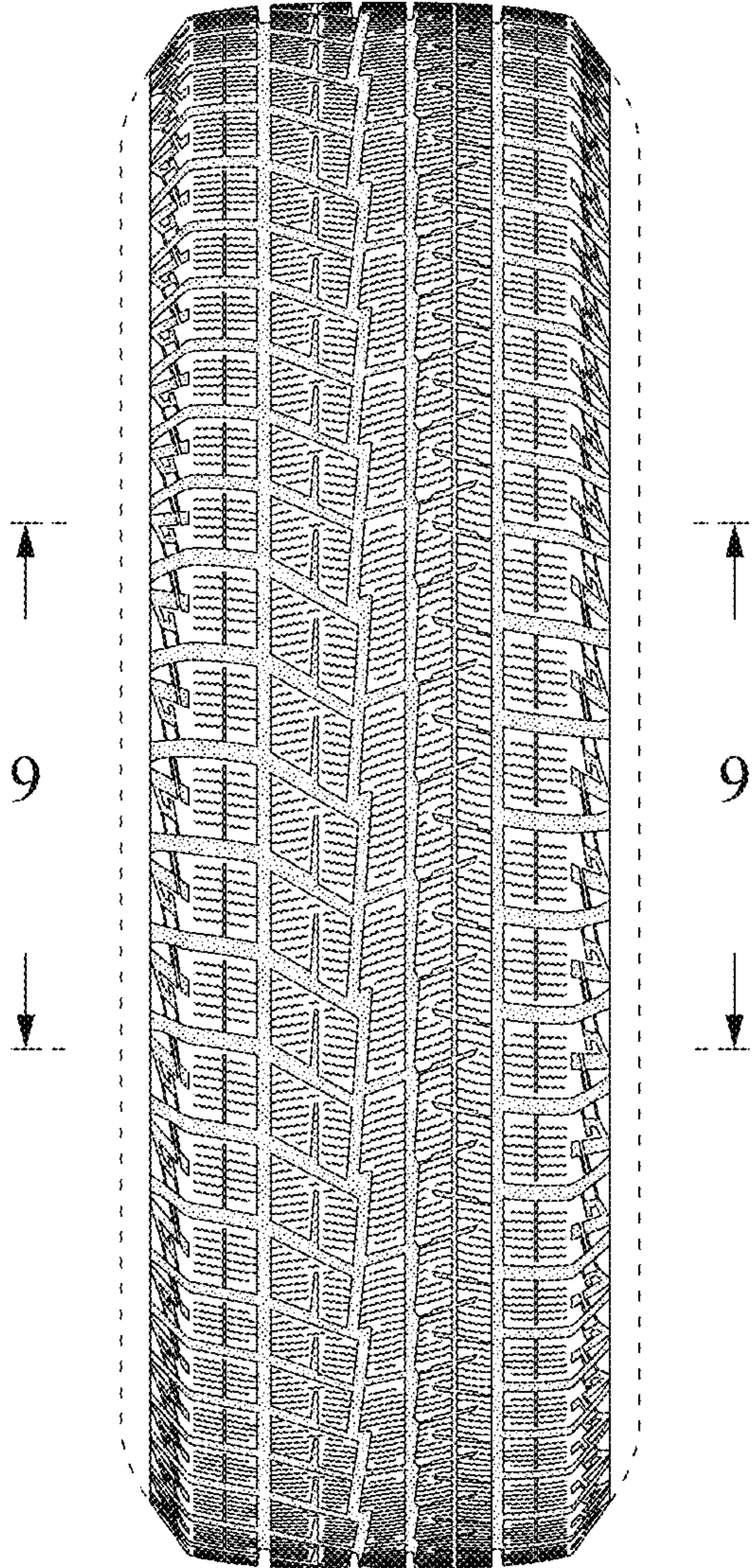


FIG. 3

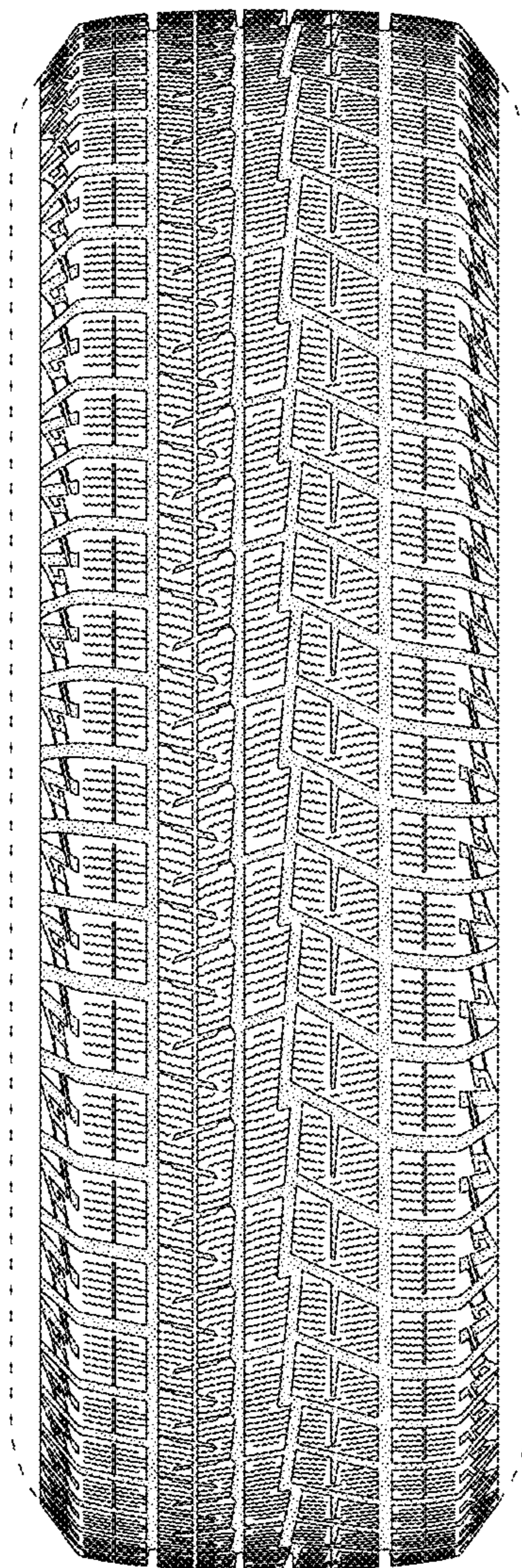


FIG. 4

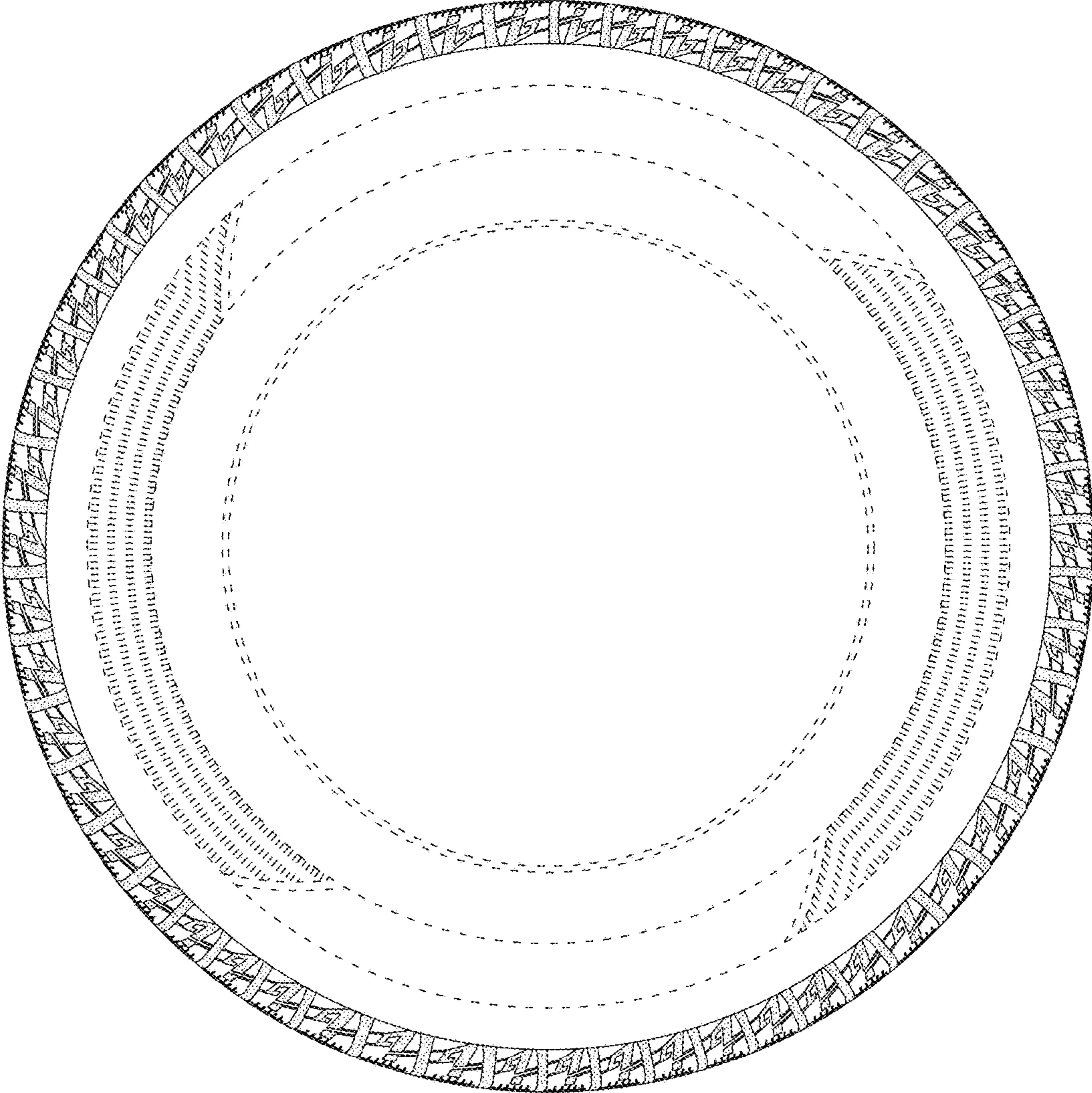


FIG. 5

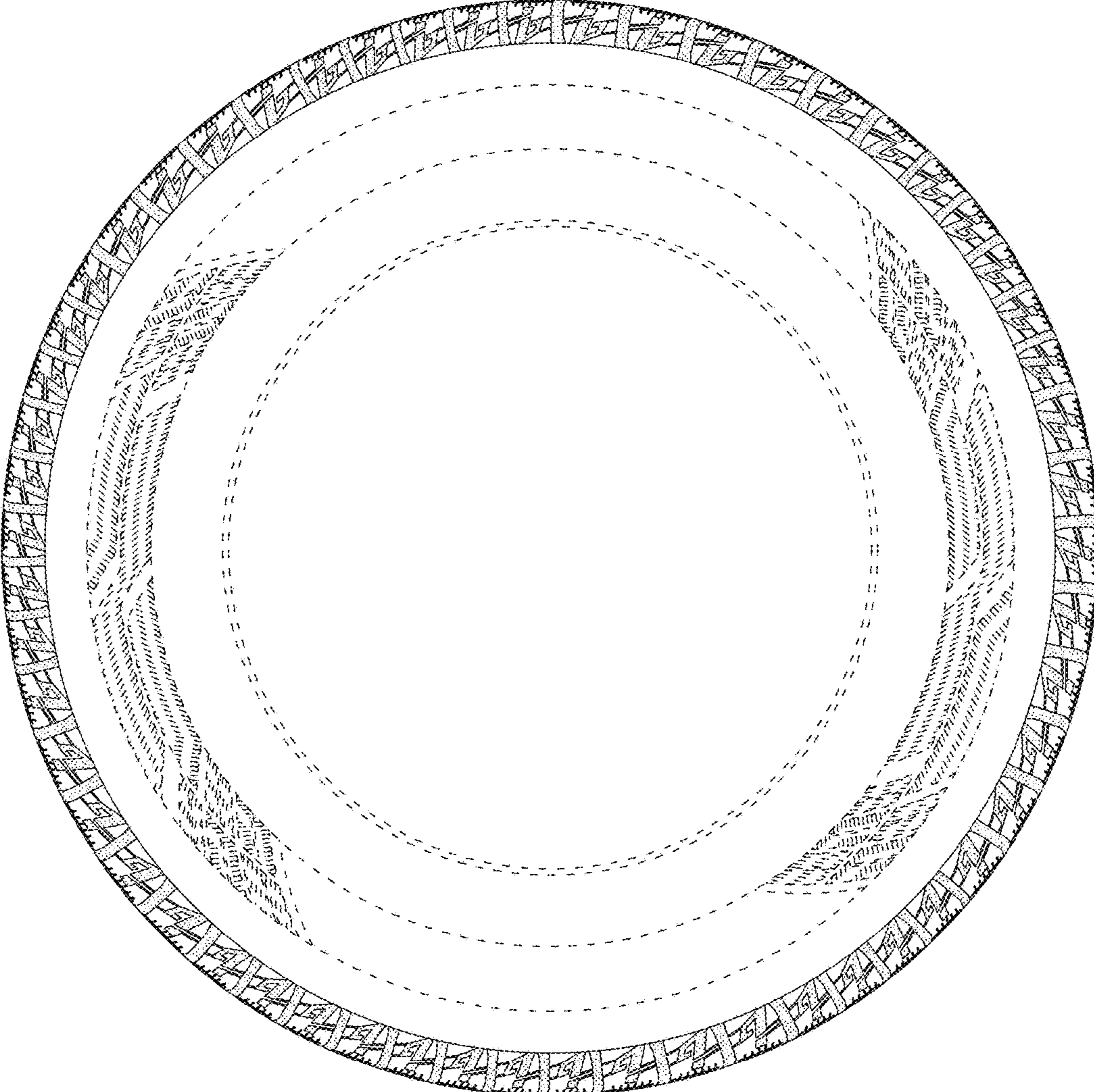


FIG. 6

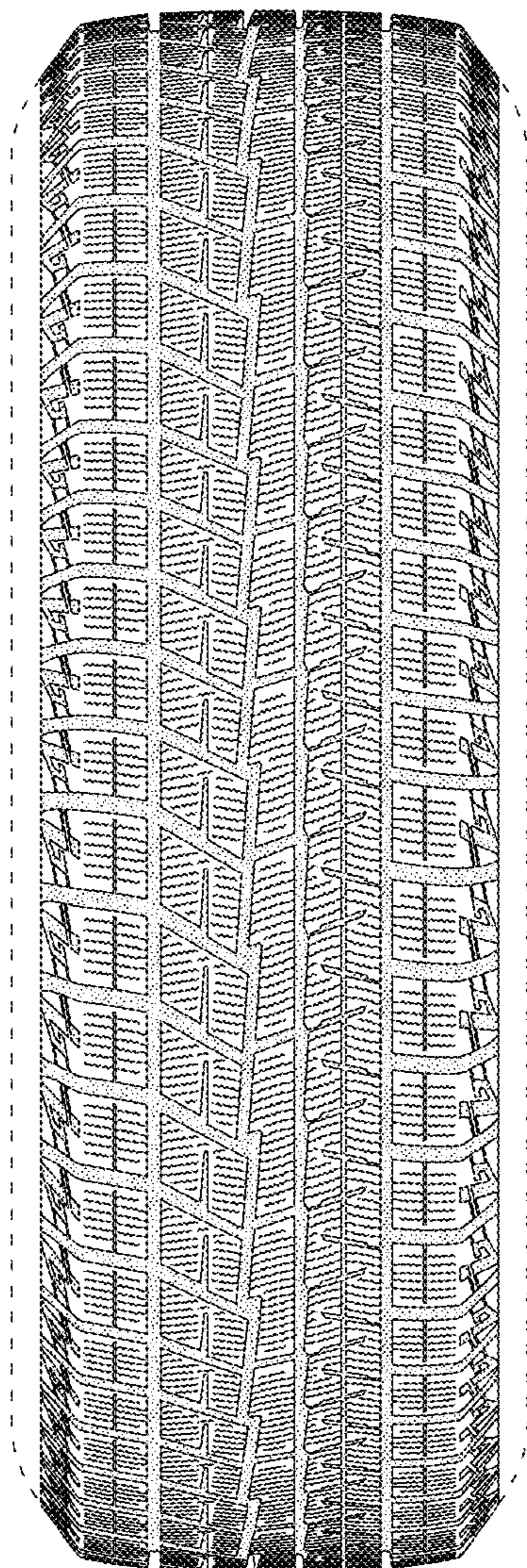


FIG. 7

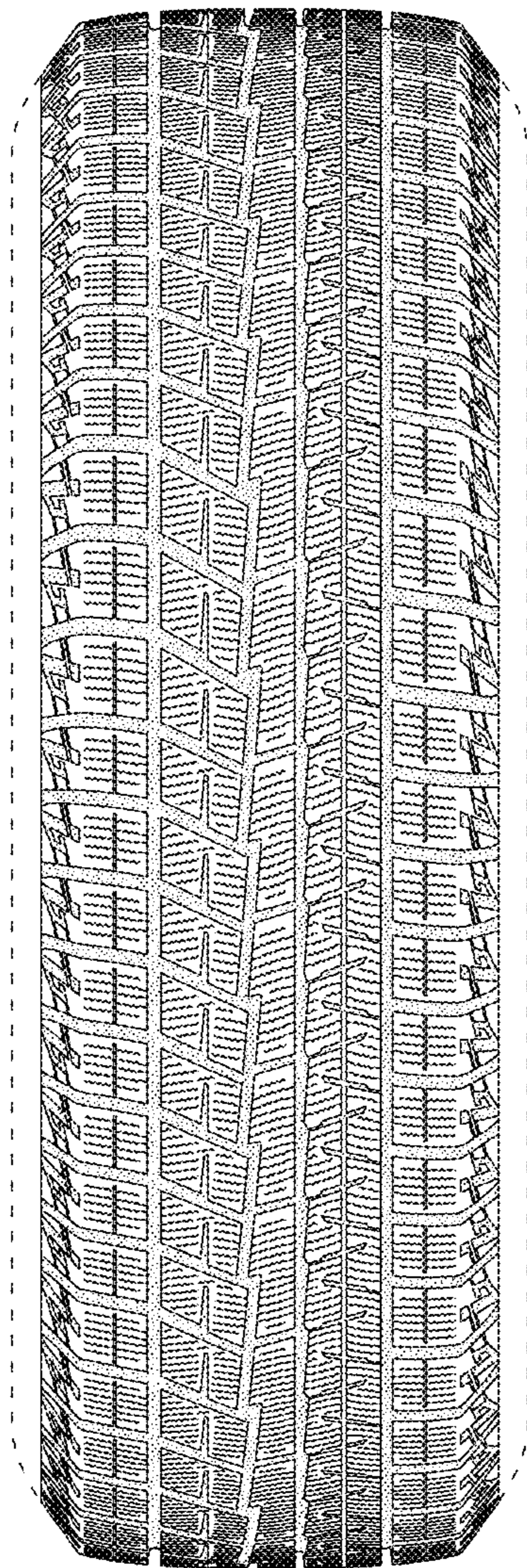


FIG. 8

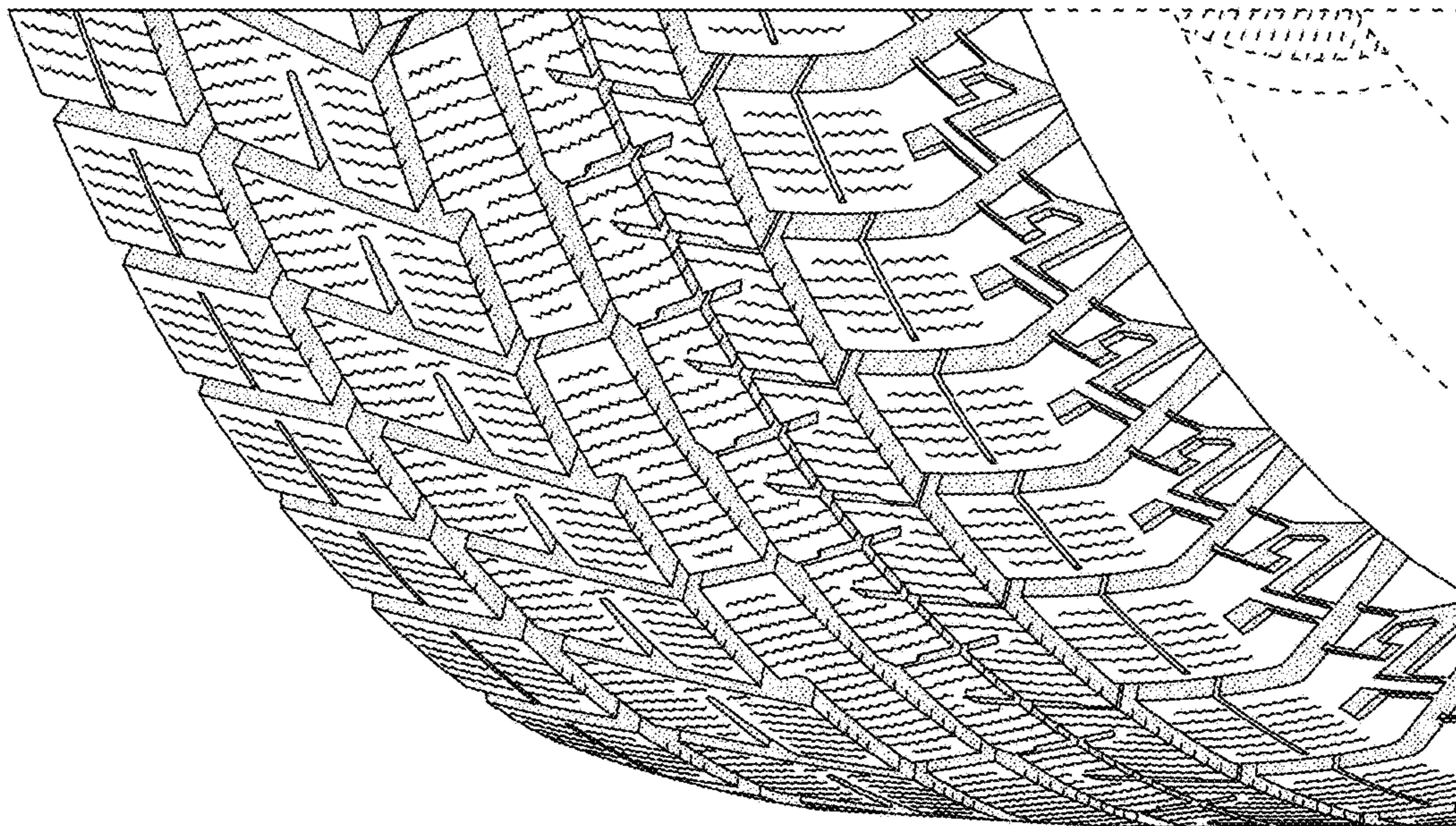


FIG. 9

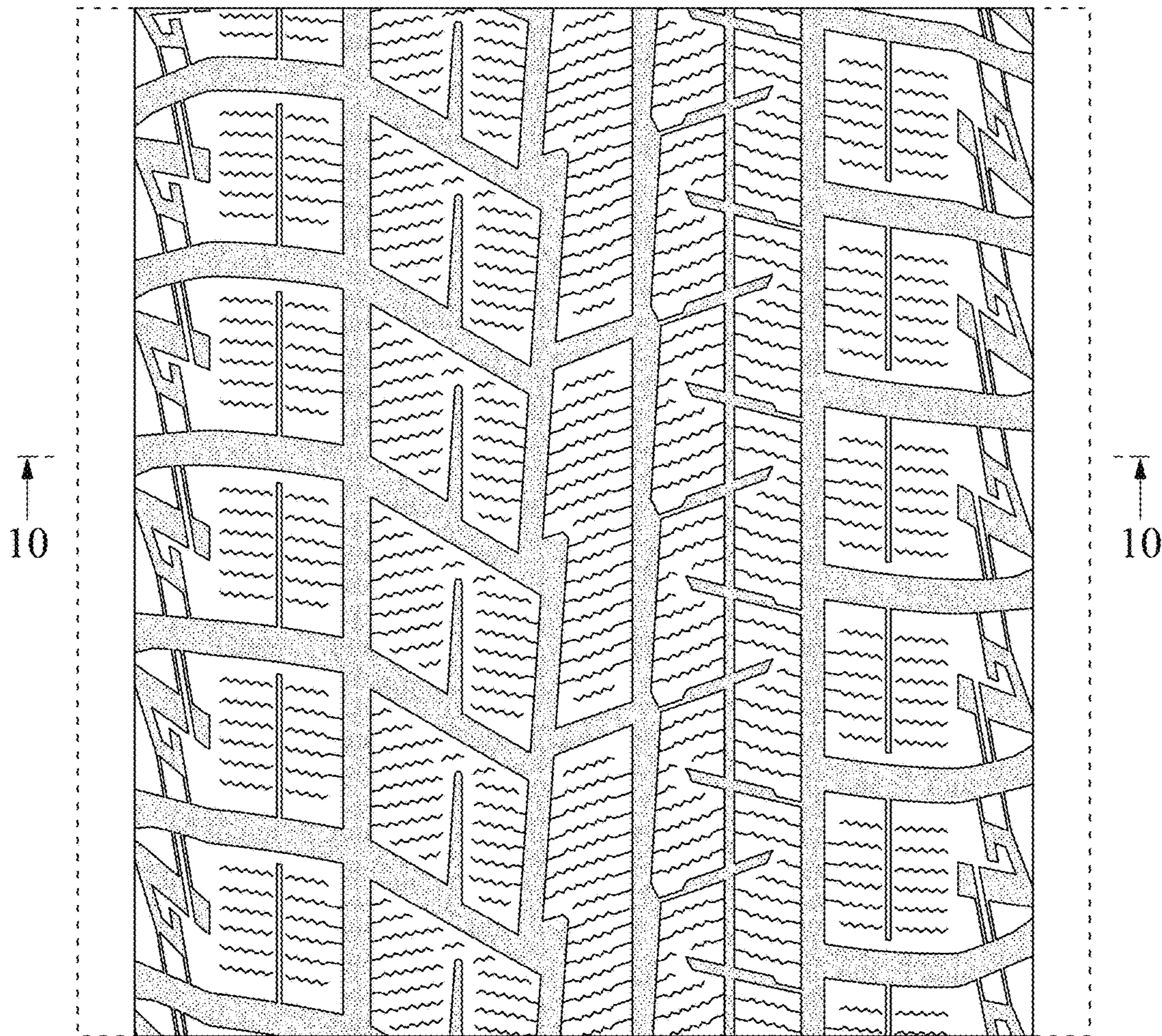


FIG. 10

