



US00D828274S

(12) **United States Design Patent**
Itou et al.

(10) **Patent No.:** **US D828,274 S**
(45) **Date of Patent:** **** Sep. 11, 2018**

(54) **ATTACHING DEVICE FOR VEHICLE ANTENNA**

4,789,866 A * 12/1988 Ohe H01Q 1/3283
343/712
5,445,355 A * 8/1995 Chen H01Q 1/088
24/540
5,687,817 A * 11/1997 Kobayashi F16D 65/097
188/72.3

(71) Applicants: **DAIWA KASEI KOGYO KABUSHIKI KAISHA**, Okazaki-shi, Aichi-ken (JP); **TOYOTA JIDOSHA KABUSHIKI KAISHA**, Aichi-ken (JP)

(Continued)

(72) Inventors: **Norihito Itou**, Okazaki (JP); **Kenji Ohashi**, Okazaki (JP); **Koumei Kobayashi**, Okazaki (JP); **Yuki Tomida**, Toyokawa (JP)

Primary Examiner — Sandra S Snapp
Assistant Examiner — Ieisha N Price
(74) *Attorney, Agent, or Firm* — Ladas & Parry LLP; Malcolm J. MacDonald

(73) Assignees: **DAIWA KASEI KOGYO KABUSHIKI KAISHA**, Okazaki-shi, Aichi-ken (JP); **TOYOTA JIDOSHA KABUSHIKI KAISHA**, Toyota-shi, Aichi-ken (JP)

(57) **CLAIM**

The ornamental design for an attaching device for vehicle antenna, as shown and described.

(**) Term: **14 Years**

DESCRIPTION

(21) Appl. No.: **29/515,025**

(22) Filed: **Jan. 20, 2015**

(30) **Foreign Application Priority Data**

Jul. 24, 2014 (JP) 2014-016056

(51) **LOC (11) Cl.** **12-06**

(52) **U.S. Cl.**
USPC **D12/223**

(58) **Field of Classification Search**
USPC D12/400, 415, 223; D8/347, 354, 355,
D8/356, 373, 394, 395, 398, 499
CPC H01Q 1/12; H01Q 1/42; H01Q 1/3291;
H01Q 1/325; H01Q 1/088
See application file for complete search history.

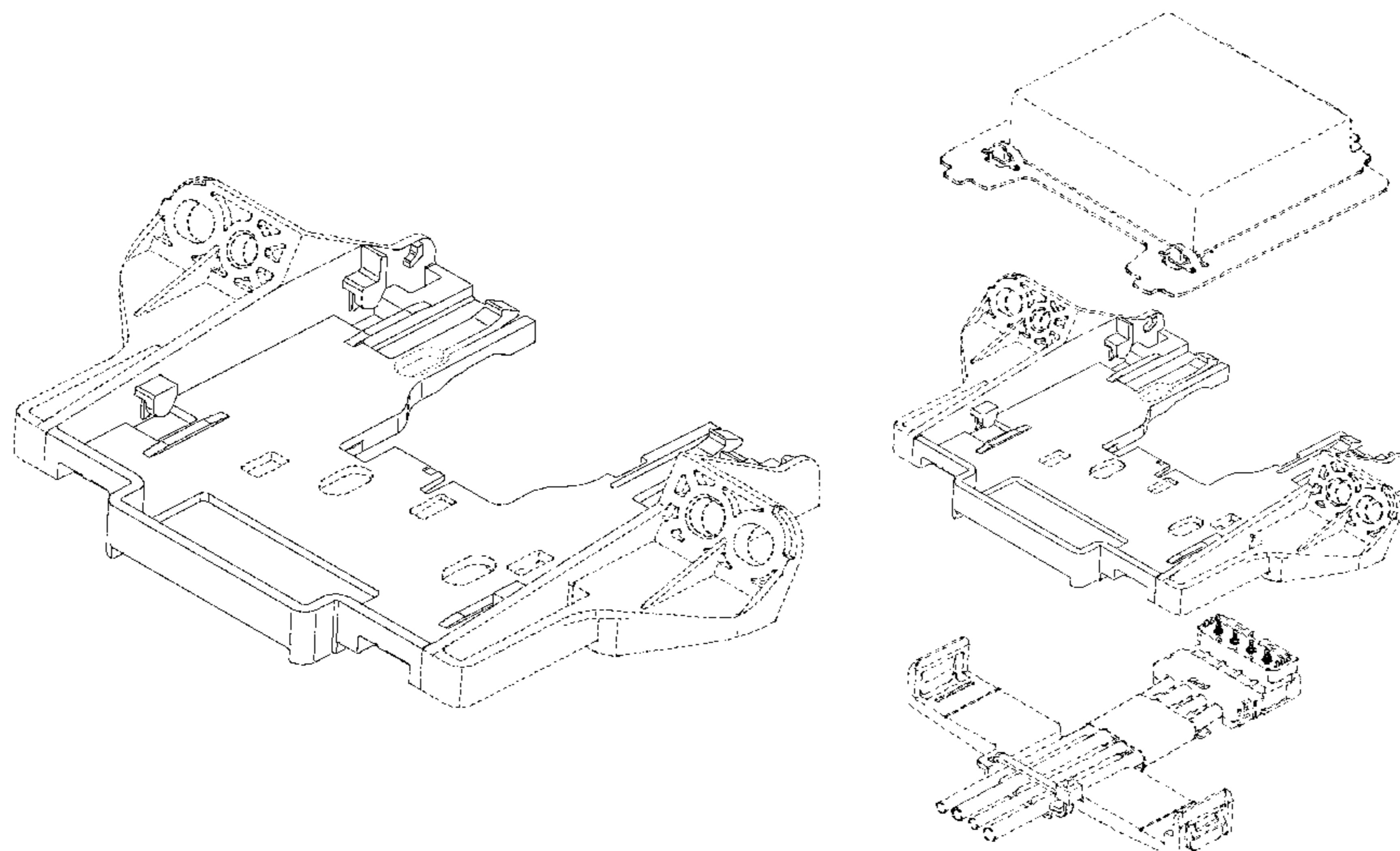
FIG. 1 is a perspective view of an attaching device for vehicle antenna showing our new design; FIG. 2 is a perspective view thereof; FIG. 3 is a perspective view thereof; FIG. 4 is a front elevation view thereof; FIG. 5 is a rear elevation view thereof; FIG. 6 is a right side elevation view thereof; FIG. 7 is a left side elevation view thereof; FIG. 8 is a top plan view thereof; FIG. 9 is a bottom plan view thereof; FIG. 10 shows the claimed design in the environment in which it is used; FIG. 11 shows the claimed design in the environment in which it is used; FIG. 12 shows the claimed design in the environment in which it is used; and, FIG. 13 shows the claimed design in the environment in which it is used.
The broken lines in the drawings illustrate portions of the attaching device for a vehicle antenna and form no part of the claimed design. The dot-dash-dot lines in the drawings define bounds of the claim and form no part thereof.

(56) **References Cited**

U.S. PATENT DOCUMENTS

D212,207 S * 9/1968 Zinni D11/215
D286,976 S * 12/1986 Steck D8/394

1 Claim, 11 Drawing Sheets



(56)

References Cited

U.S. PATENT DOCUMENTS

5,901,815 A * 5/1999 Kobayashi F16D 65/0977
188/205 A
D478,501 S * 8/2003 Yoko D8/395
6,901,638 B2 * 6/2005 Ito E05B 9/084
24/459
D523,803 S * 6/2006 Smith D12/223
7,636,066 B2 * 12/2009 Fujimoto H01Q 1/12
343/713
D628,607 S * 12/2010 Irion D15/138
D673,843 S * 1/2013 Wall D8/380
D702,529 S * 4/2014 Diez Herrera D8/349
2006/0044197 A1 * 3/2006 Ikeda H01Q 1/1271
343/713
2006/0262018 A1 * 11/2006 Mikami H01Q 1/3216
343/713
2014/0048660 A1 * 2/2014 Lettkeman H01Q 1/12
248/201

* cited by examiner

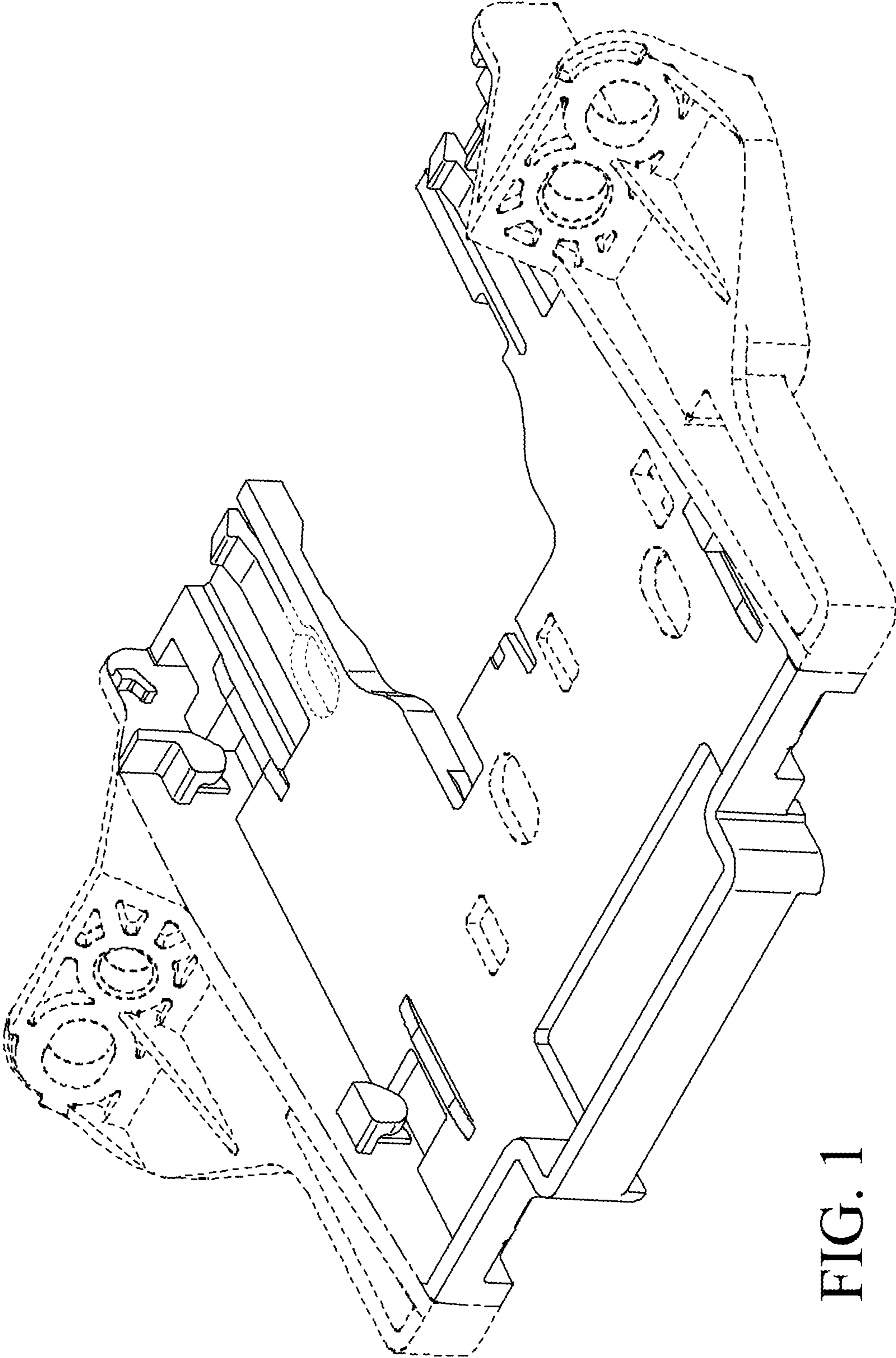


FIG. 1

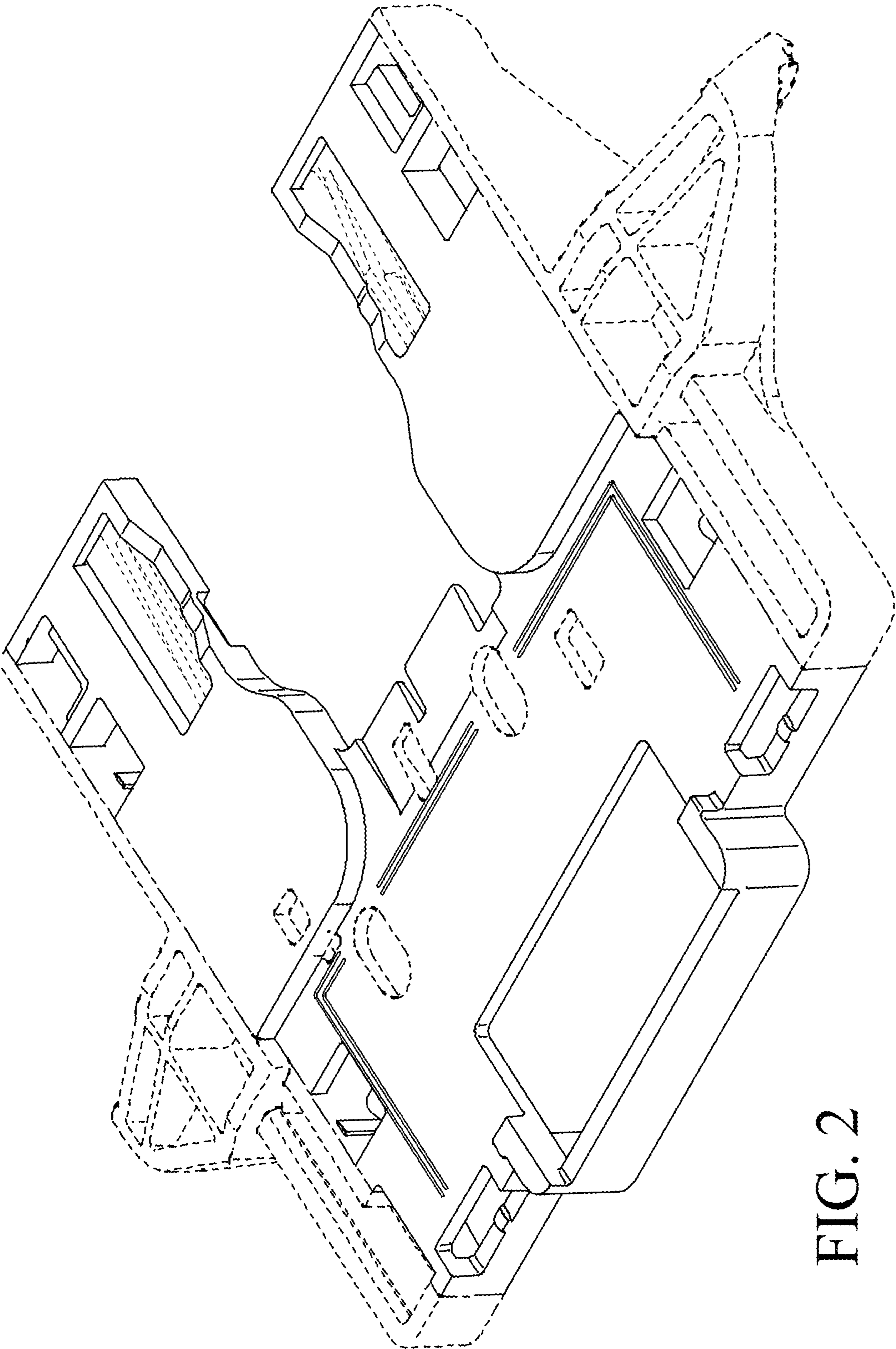


FIG. 2

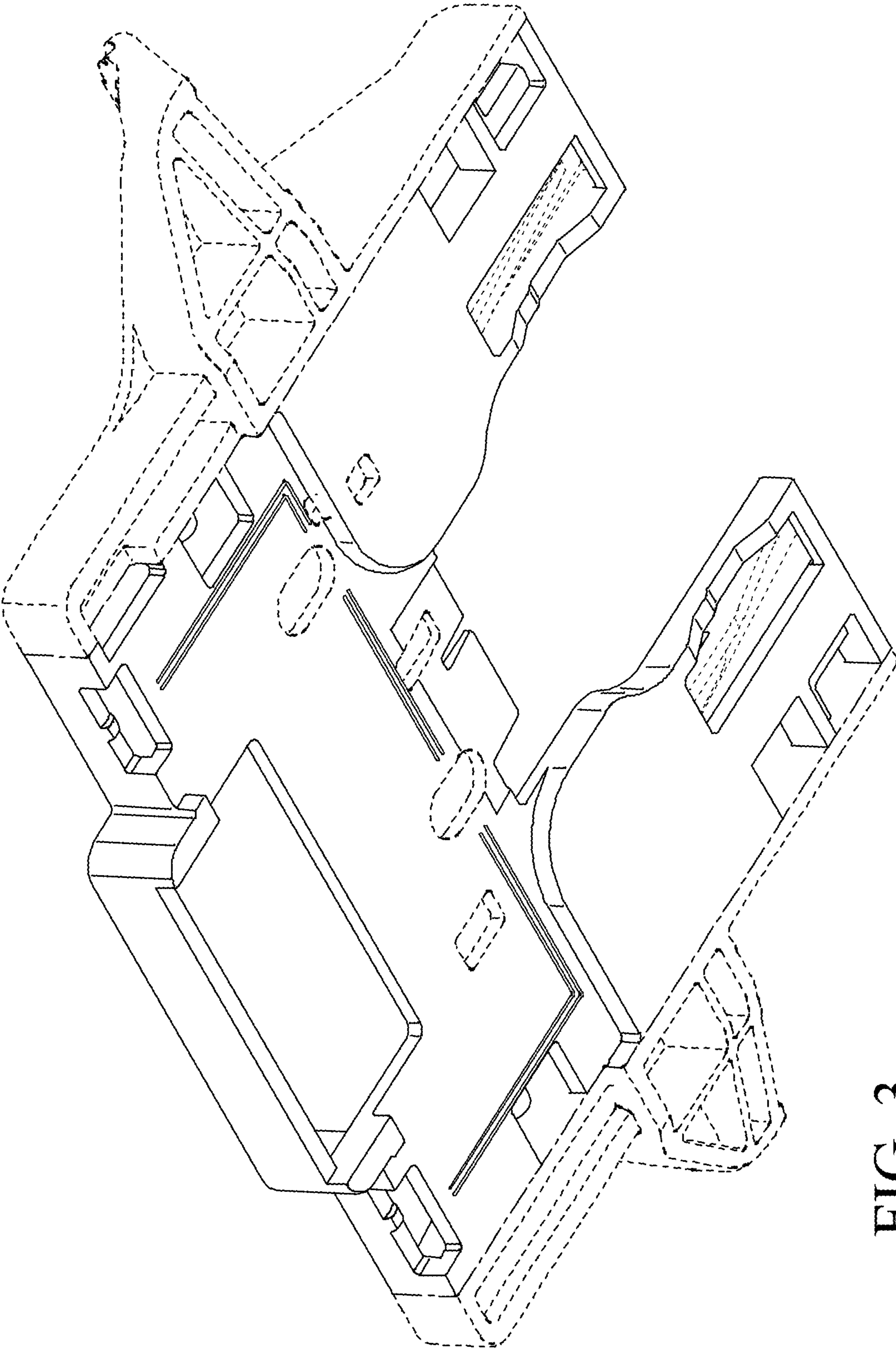


FIG. 3

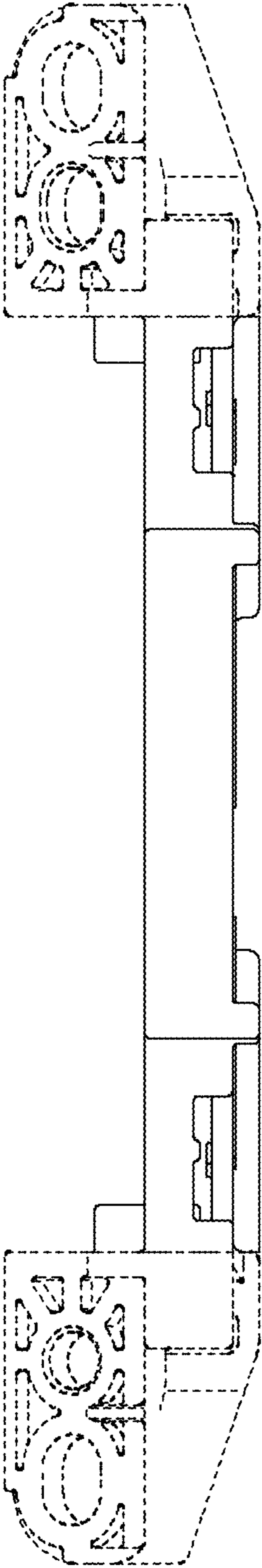


FIG. 4

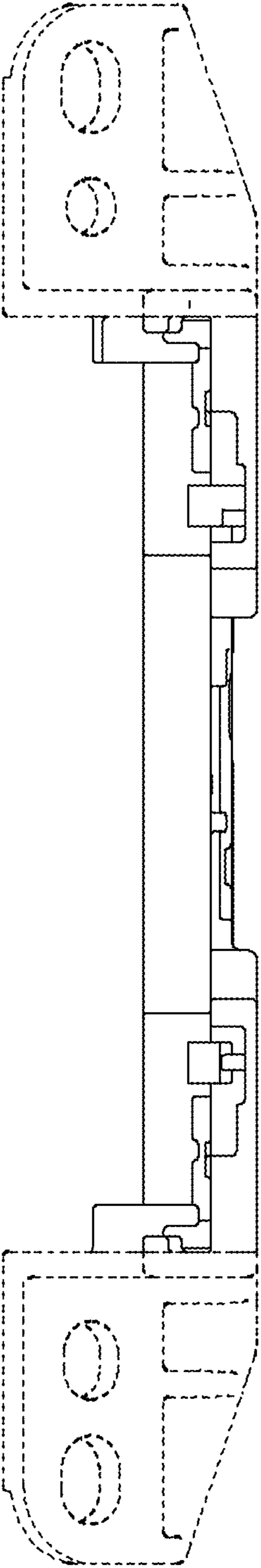


FIG. 5

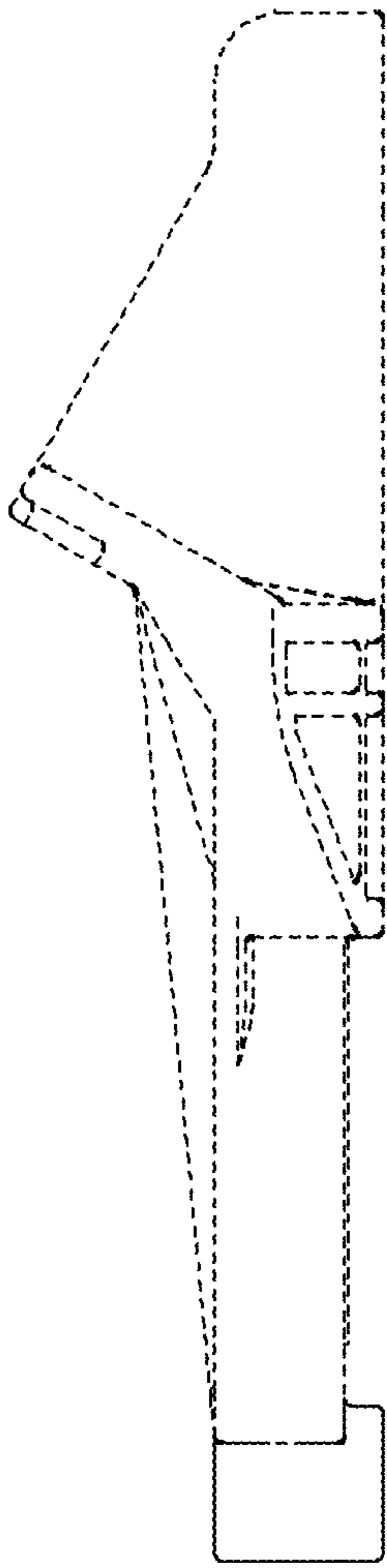


FIG. 6

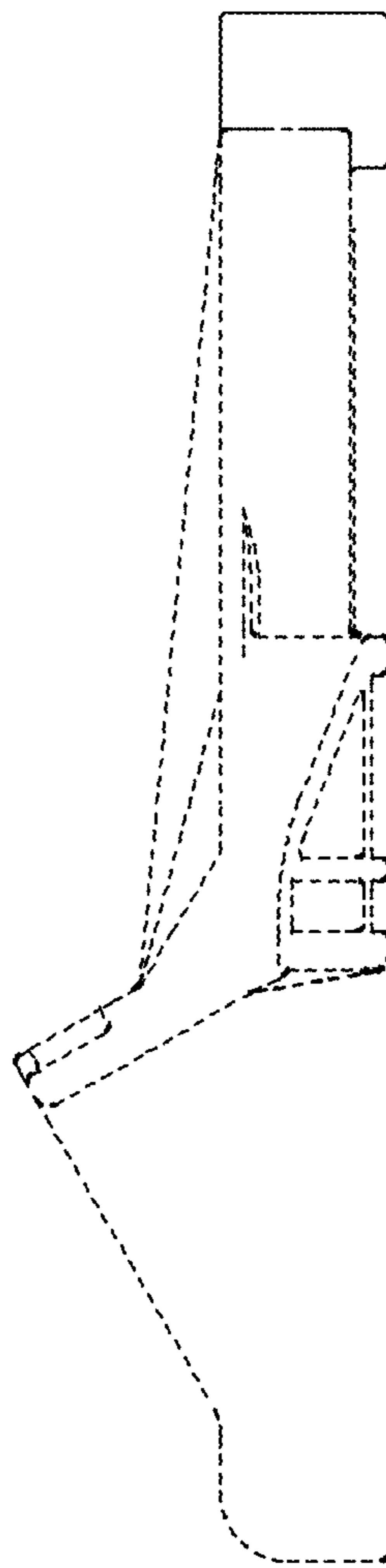


FIG. 7

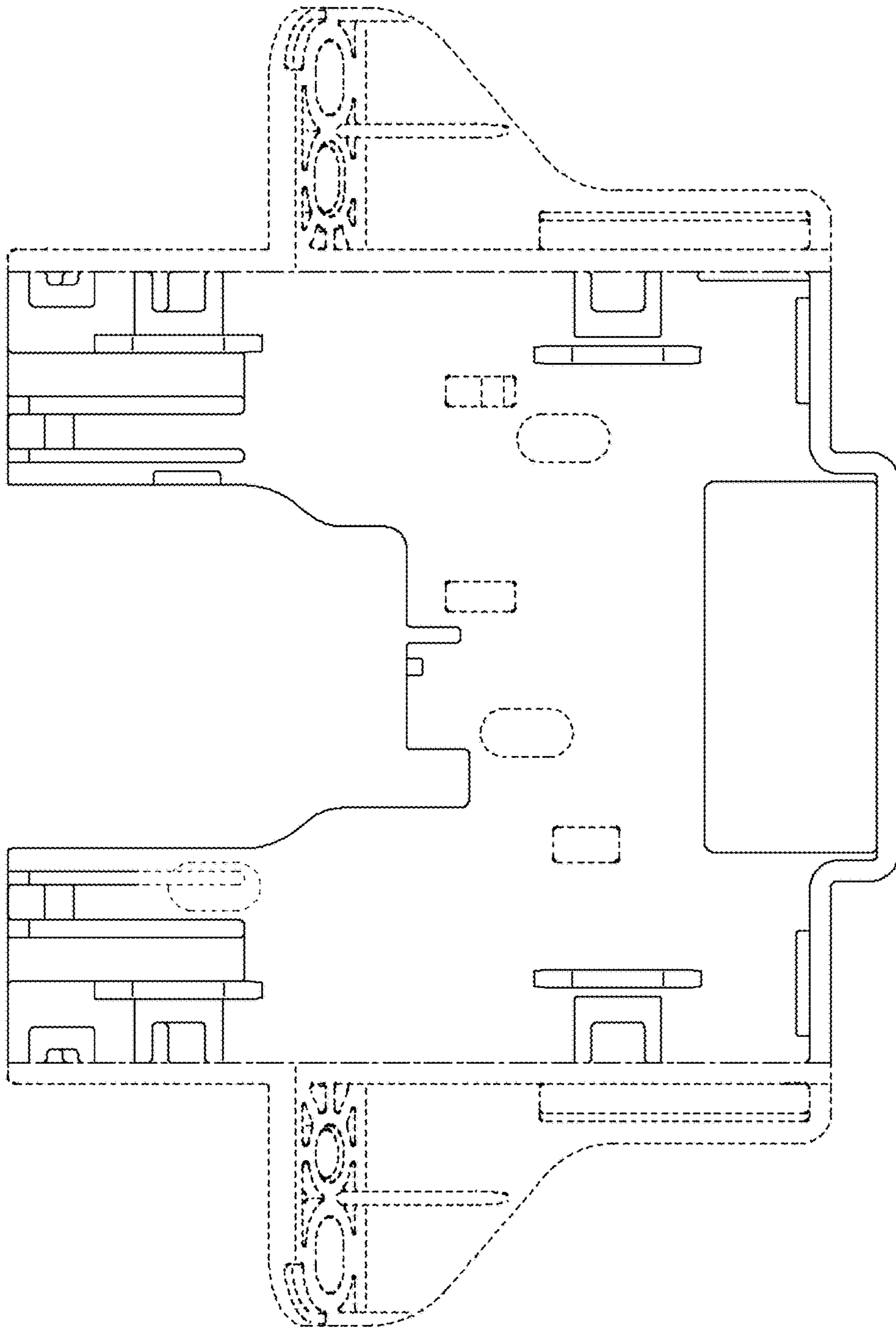


FIG. 8

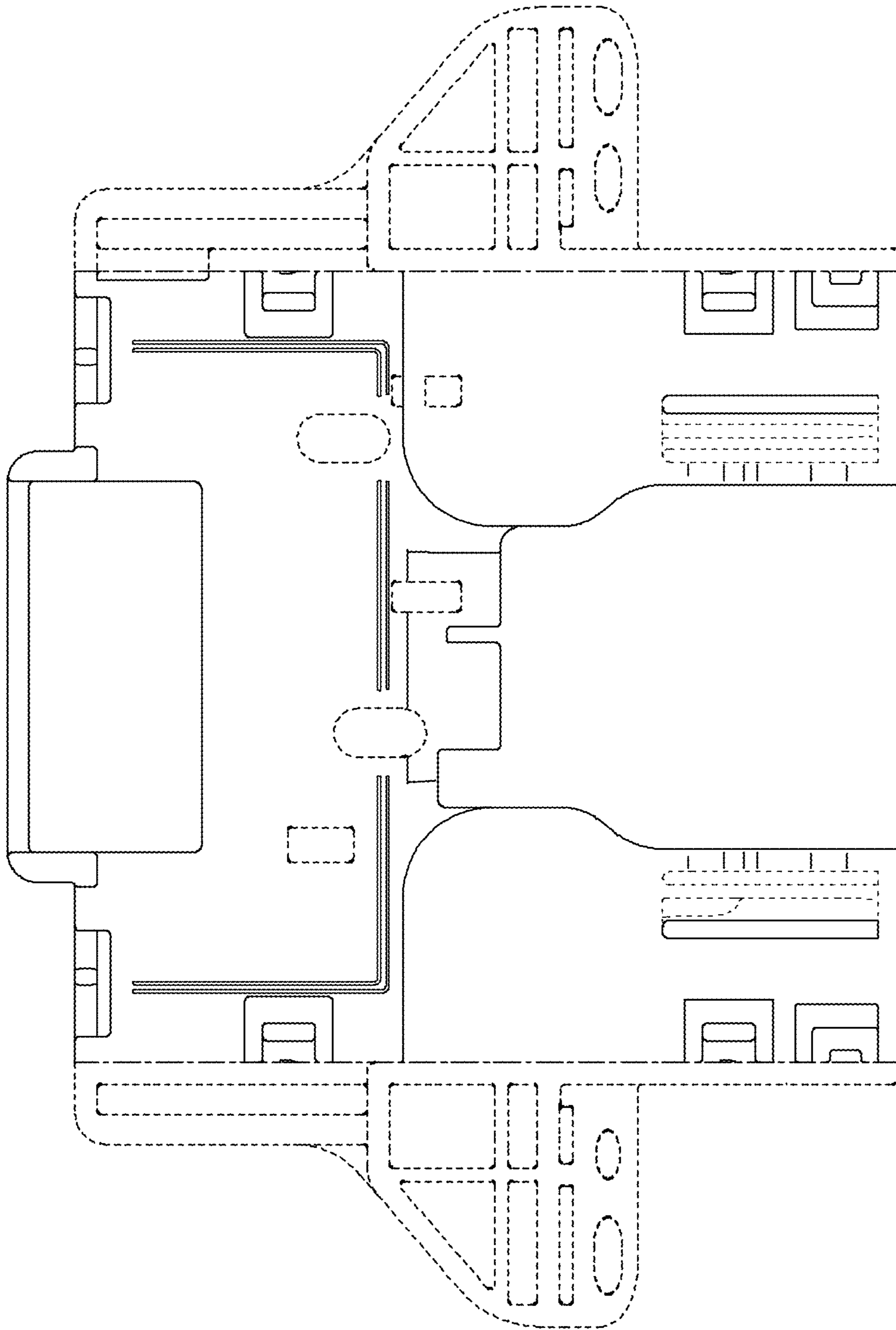
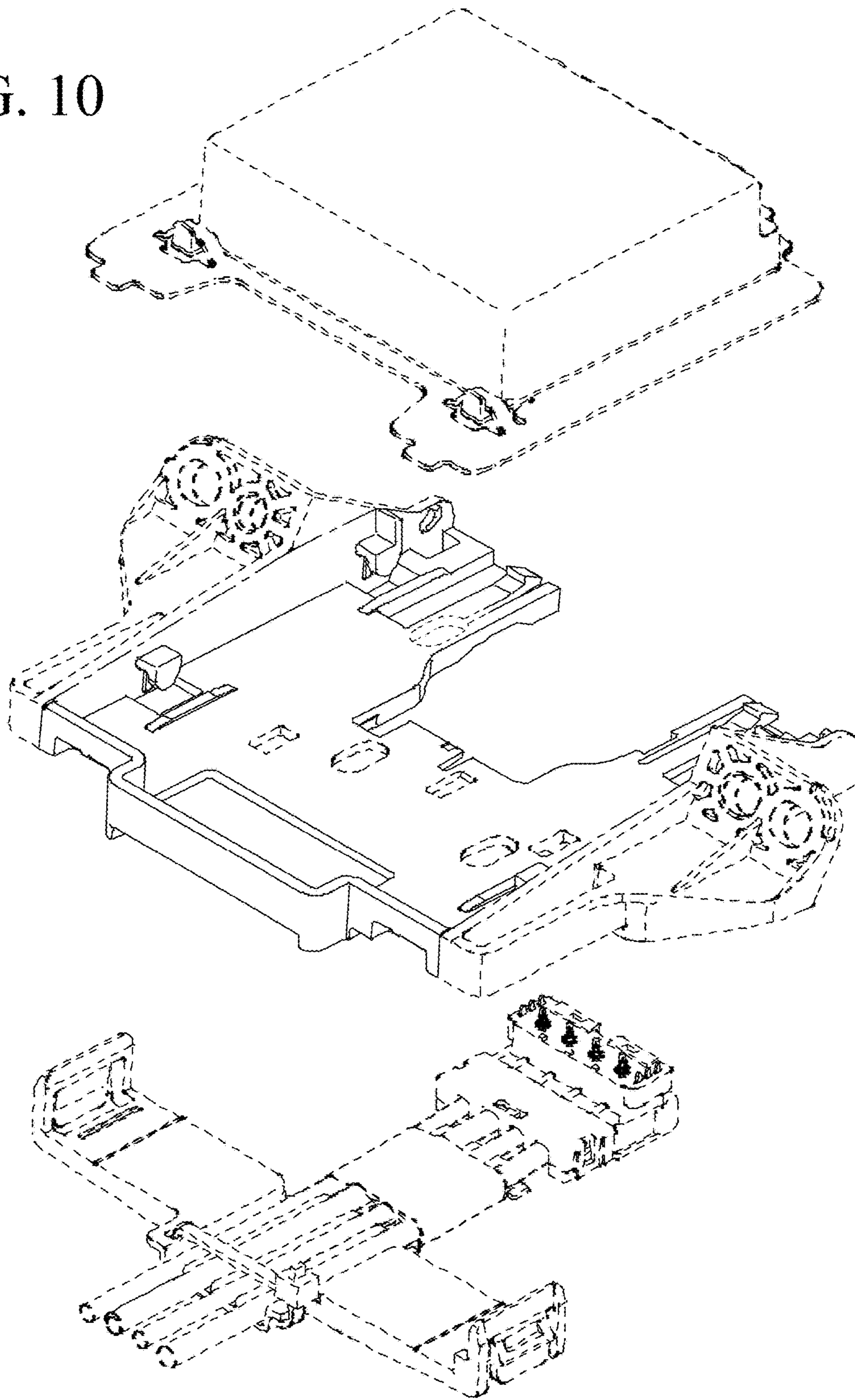


FIG. 9

FIG. 10



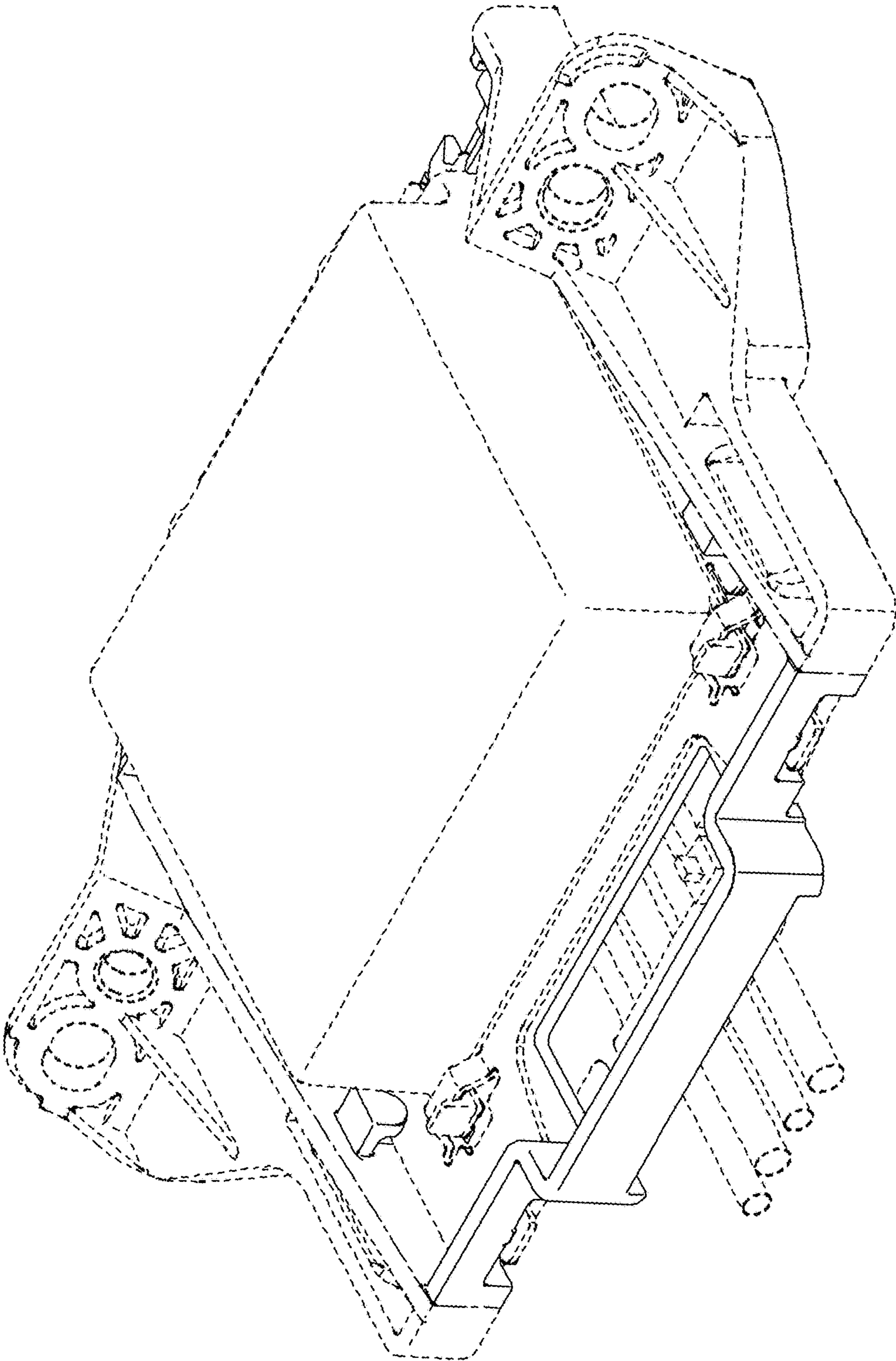


FIG. 11

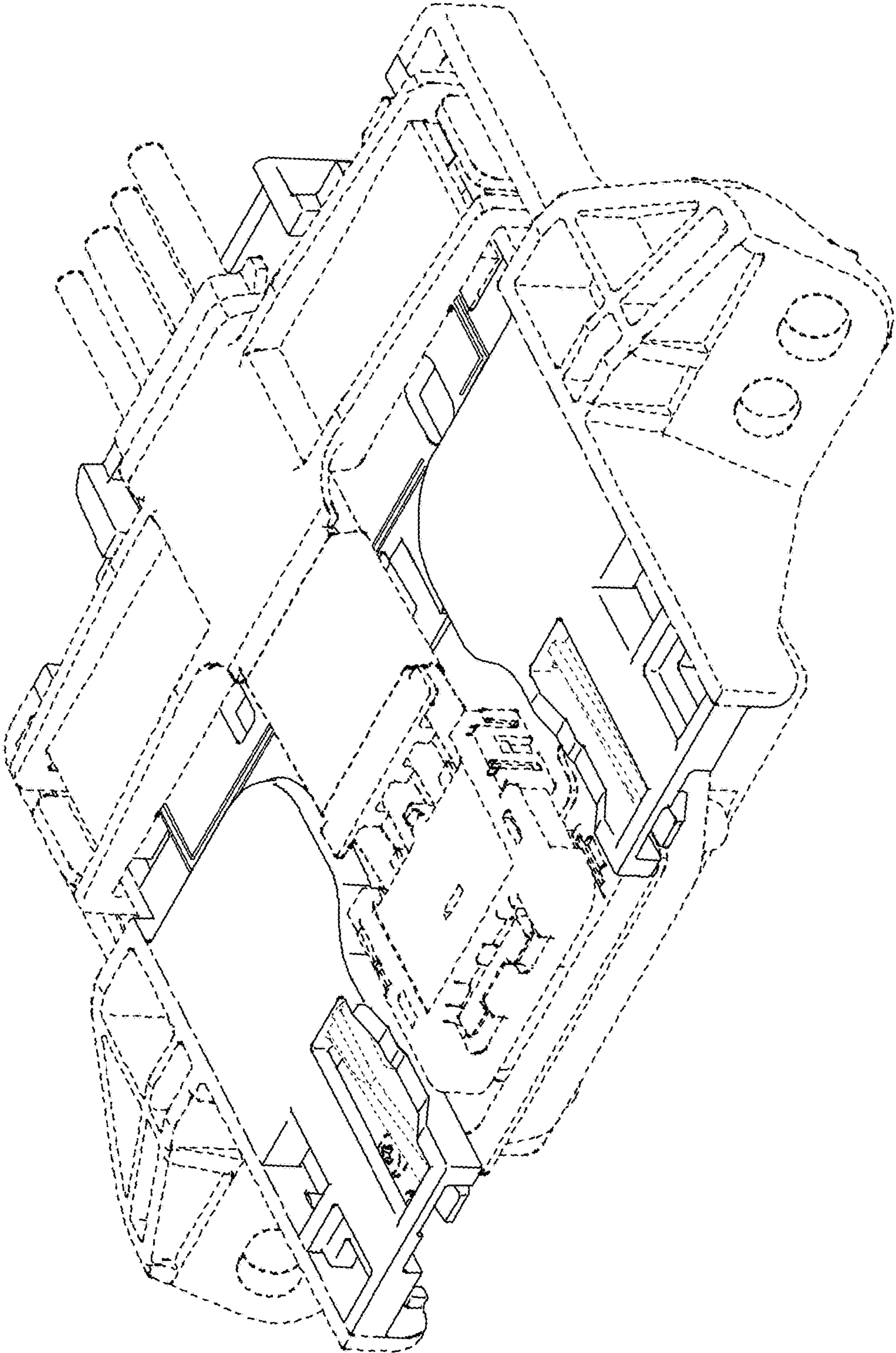


FIG. 12

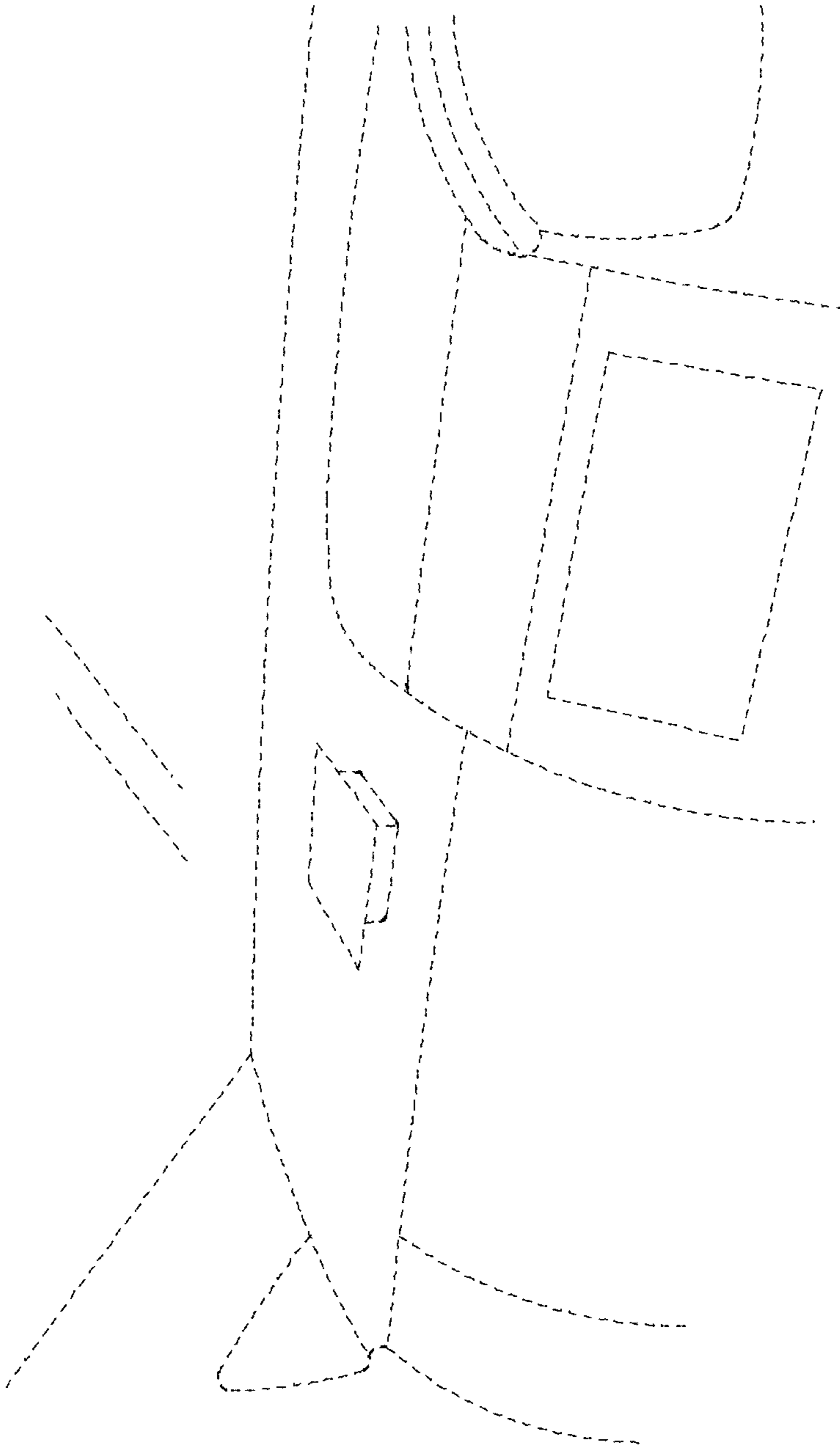


FIG. 13