



US00D828272S

(12) **United States Design Patent**  
**Shiflett, Jr.**

(10) **Patent No.:** **US D828,272 S**  
(45) **Date of Patent:** **\*\* Sep. 11, 2018**

- (54) **FISHING PADDLE**
- (71) Applicant: **Ronald C. Shiflett, Jr.**, Midlothian, VA (US)
- (72) Inventor: **Ronald C. Shiflett, Jr.**, Midlothian, VA (US)
- (\*\*) Term: **15 Years**
- (21) Appl. No.: **29/588,373**
- (22) Filed: **Dec. 20, 2016**

**Related U.S. Application Data**

- (63) Continuation-in-part of application No. 15/245,497, filed on Aug. 24, 2016.
- (51) **LOC (11) Cl.** ..... **12-06**
- (52) **U.S. Cl.**  
USPC ..... **D12/215**
- (58) **Field of Classification Search**  
USPC ..... D12/215, 306, 317; D21/798, 801, 679  
CPC ..... B63H 16/04; B63H 2016/046  
See application file for complete search history.

(56) **References Cited**

**U.S. PATENT DOCUMENTS**

3,039,120	A	6/1962	Powell et al.	
4,820,216	A *	4/1989	Masters	B63H 16/04 416/70 R
D320,375	S *	10/1991	Bruce	D12/215
5,577,338	A	11/1996	Matsumoto et al.	
5,913,671	A	6/1999	Fernandez et al.	
D428,636	S *	7/2000	Weaver	D21/679
6,261,141	B1 *	7/2001	Heap	B63H 16/04 440/101
6,328,617	B1 *	12/2001	Gunnell	B63H 16/04 416/70 R
6,393,753	B1	5/2002	Walker	
6,514,109	B1 *	2/2003	Carlow	B63H 16/04 440/101

6,568,971	B1 *	5/2003	Abbenhouse	B29C 44/569 416/70 R
6,796,862	B1 *	9/2004	Abbenhouse	B63H 16/04 416/74
7,396,266	B1 *	7/2008	Woods	B63H 16/04 440/101
8,337,372	B1 *	12/2012	Boterenbrood	A01B 1/02 294/49
D693,285	S *	11/2013	Hall	D12/215
8,632,371	B1 *	1/2014	Ramsey	B63H 16/04 440/101
9,327,814	B2 *	5/2016	Packer	B63H 16/04
2008/0057802	A1 *	3/2008	Wilkinson	B63C 9/28 440/101
2009/0211142	A1	8/2009	Sackett	
2011/0011432	A1 *	1/2011	Yakos	A45B 5/00 135/66

(Continued)

**FOREIGN PATENT DOCUMENTS**

EP 2387880 3/2013

*Primary Examiner* — George D. Kirschbaum

*Assistant Examiner* — Clese Moore, Jr.

(74) *Attorney, Agent, or Firm* — Marsh Fischmann & Breyfogle LLP; Russell T. Manning

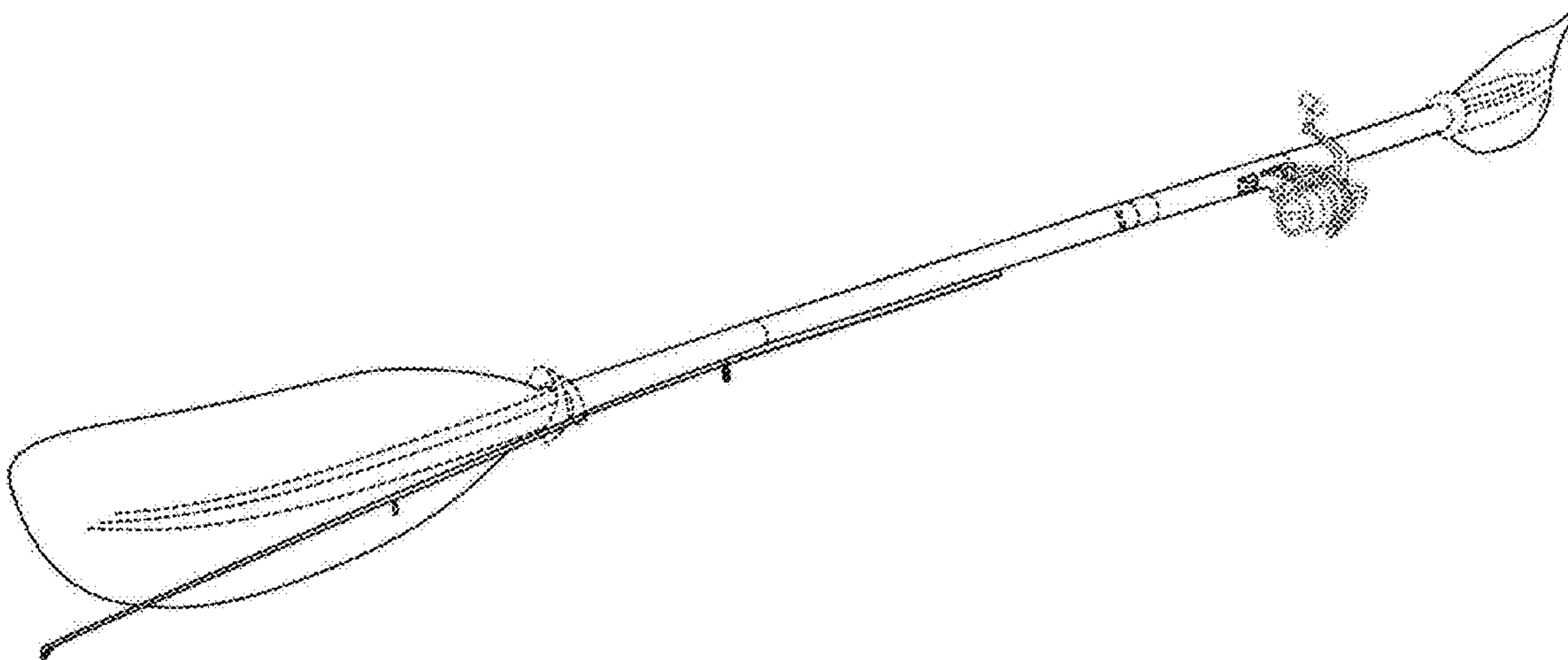
(57) **CLAIM**

The ornamental design for the fishing paddle, as shown and described.

**DESCRIPTION**

FIG. 1 is perspective view of the fishing paddle; FIG. 2 is top view of the fishing paddle; FIG. 3 is a bottom view of the fishing paddle; FIG. 4 is a side view of the fishing paddle; and, FIG. 5 is a side view of the fishing paddle. The broken lines shown illustrate portions of the fishing paddle that form no part of the claimed design.

**1 Claim, 5 Drawing Sheets**



(56)

**References Cited**

U.S. PATENT DOCUMENTS

2012/0052754 A1\* 3/2012 Boyer ..... B63H 16/04  
440/102  
2013/0101418 A1\* 4/2013 McClain ..... B63H 16/04  
416/71  
2013/0230398 A1\* 9/2013 Hall ..... B63H 16/04  
416/1  
2013/0330190 A1\* 12/2013 Kicker ..... B63H 16/04  
416/63  
2014/0050584 A1\* 2/2014 Lange ..... B63H 16/04  
416/146 R  
2016/0039507 A1\* 2/2016 Blumer ..... B63H 16/04  
416/74  
2017/0055508 A1\* 3/2017 Shiflett, Jr. .... A01K 87/007

\* cited by examiner

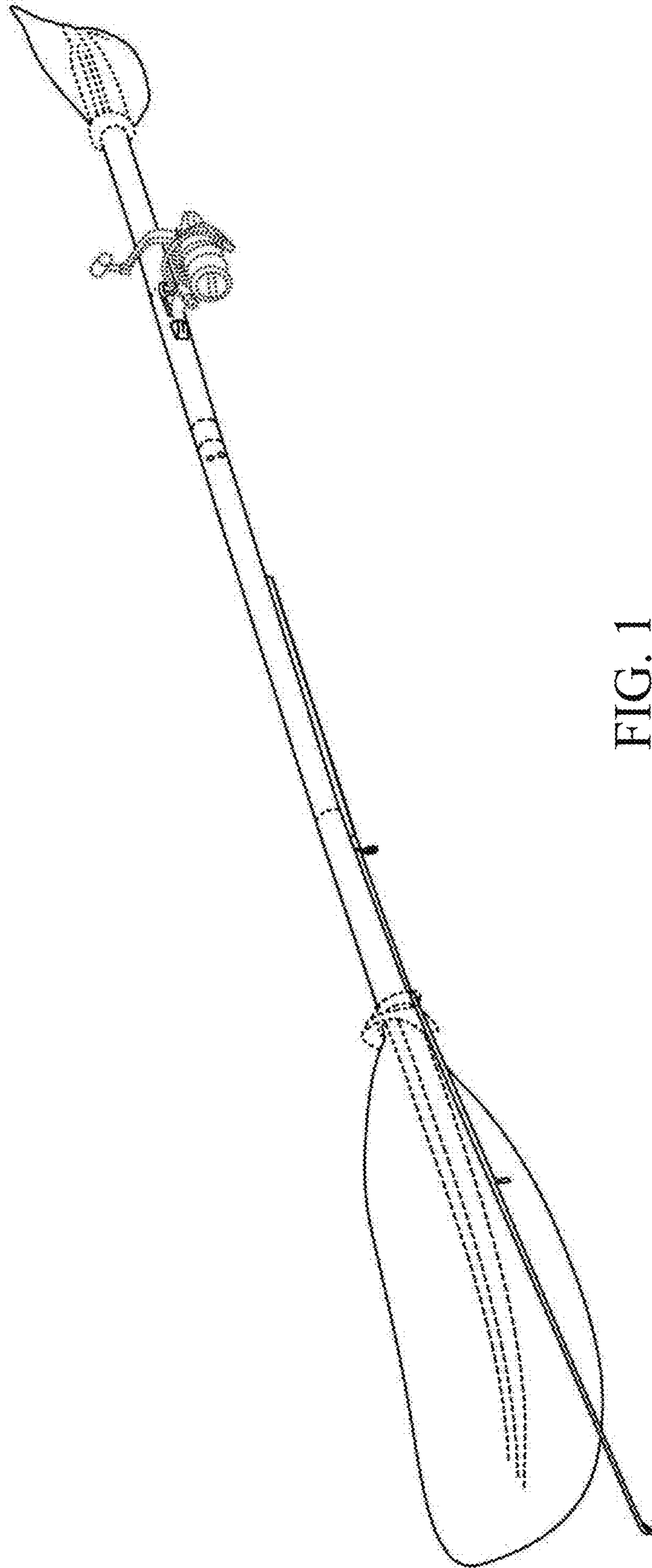


FIG. 1

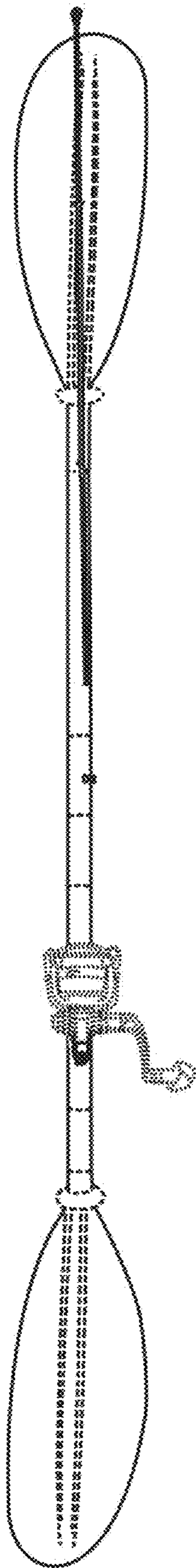


FIG.2

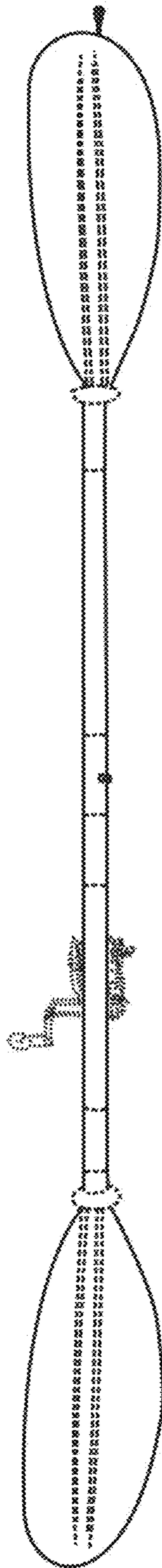


FIG. 3

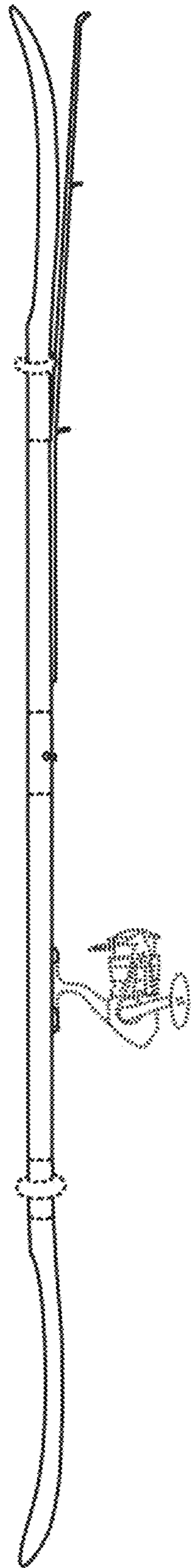


FIG. 4



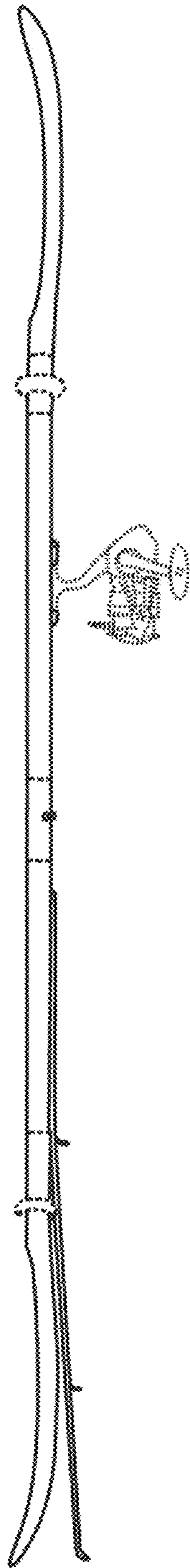


FIG. 5