



US00D828270S

(12) **United States Design Patent** (10) **Patent No.:** **US D828,270 S**  
**Aslam** (45) **Date of Patent:** **\*\* Sep. 11, 2018**

- (54) **VEHICLE WHEEL**
- (71) Applicant: **USA Wheel and Tire Outlet, Inc.,**  
Mesquite, TX (US)
- (72) Inventor: **Nadeem Aslam, Mesquite, TX (US)**
- (73) Assignee: **USA Wheel and Tire Outlet, Inc.,**  
Mesquite, TX (US)
- (\*\*) Term: **15 Years**
- (21) Appl. No.: **29/593,901**
- (22) Filed: **Feb. 14, 2017**
- (51) **LOC (11) Cl.** ..... **12-16**
- (52) **U.S. Cl.**  
USPC ..... **D12/211**
- (58) **Field of Classification Search**  
USPC ..... D12/400, 204–213, 501; D9/452, 538,  
D9/541, 546, 559, 669; D7/506, 539,  
D7/540, 556, 563, 567, 615, 675, 677;  
D21/771, 763, 779, 495, 561, 563;  
D23/411, 249, 250, 252, 253  
CPC .... B60B 7/00; B60B 7/02; B60B 7/04; B60B  
7/01; B60B 7/06; B60B 3/02; B60B 3/04;  
B60B 3/06; B60B 3/10; B60B 1/00;  
B60B 1/08; B60B 1/10; B60B 1/12  
See application file for complete search history.

D519,900 S *	5/2006	Francis .....	D12/209
D533,496 S *	12/2006	Bogani .....	D12/209
D567,166 S *	4/2008	Bogani .....	D12/209
D571,702 S *	6/2008	Guidry .....	D12/209
D578,457 S *	10/2008	Guidry .....	D12/211
D582,334 S *	12/2008	Fournier .....	D12/211
D594,802 S	6/2009	Gustafsson	
D613,661 S	4/2010	Lee et al.	
D621,320 S *	8/2010	Majdandzic .....	D12/209
D622,197 S *	8/2010	Zhao .....	D12/209
D630,146 S *	1/2011	Finnie .....	D12/211
D641,679 S	7/2011	Vardis	
D648,254 S	11/2011	Barry	
D655,658 S	3/2012	Noone et al.	
D655,660 S *	3/2012	Stucki .....	D12/209
D656,877 S	4/2012	Ikeda et al.	
D664,081 S	7/2012	Muller	
D670,226 S *	11/2012	Muller .....	D12/211
D670,634 S	11/2012	Lee	
D680,049 S	4/2013	Hale, Jr.	
D680,486 S *	4/2013	Zhao .....	D12/211
D680,940 S	4/2013	Hale, Jr.	
D684,516 S	6/2013	Bennion	
D695,194 S *	12/2013	Kong .....	D12/211
D700,565 S	3/2014	Gonzalez	

(Continued)

*Primary Examiner* — Susan Bennett Hattan  
*Assistant Examiner* — Marie D. Fast Horse  
(74) *Attorney, Agent, or Firm* — Sheridan Ross P.C.

(57) **CLAIM**

The ornamental design for a vehicle wheel, as shown and described.

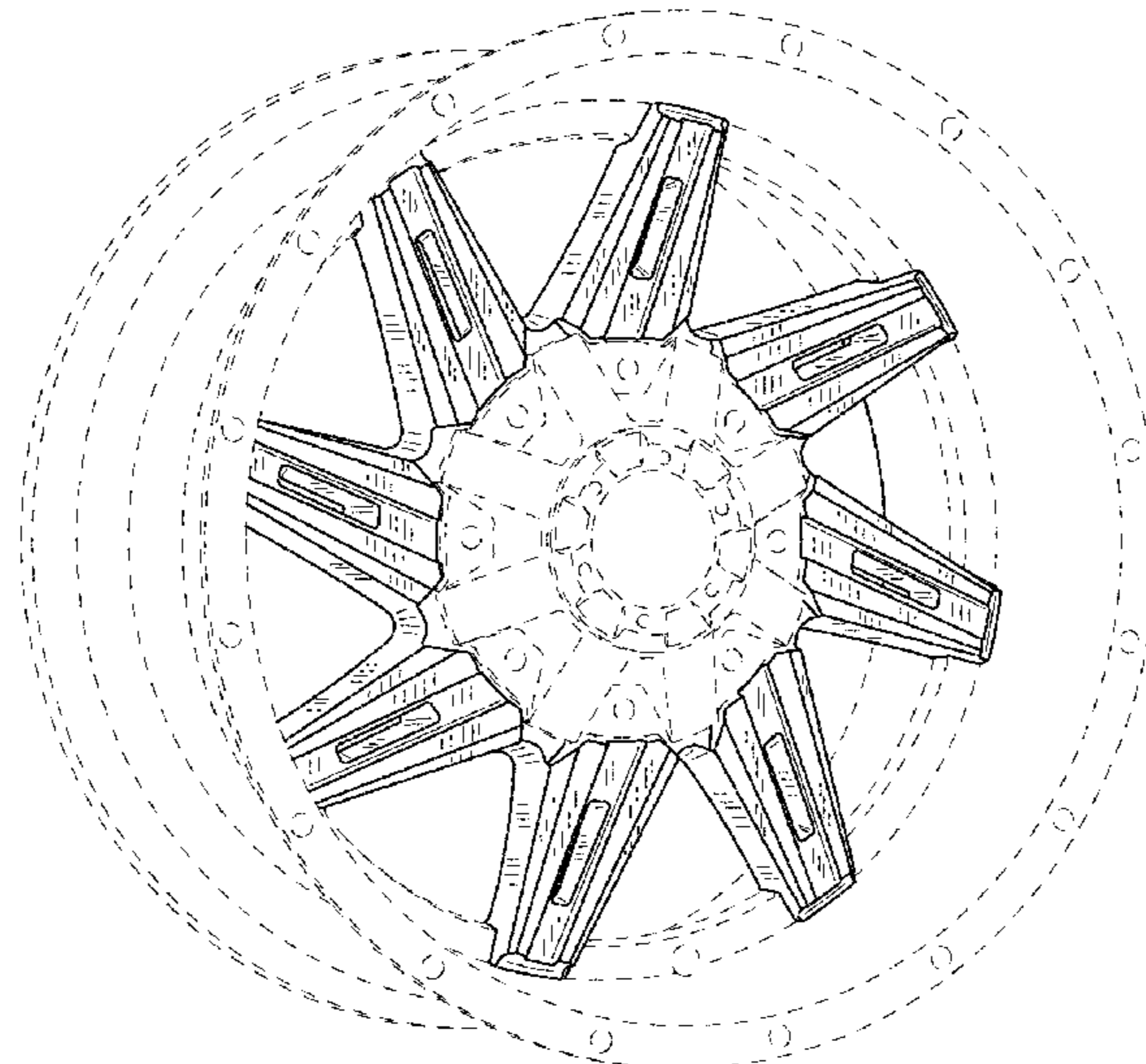
**DESCRIPTION**

FIG. 1 is a front view of a vehicle wheel showing my new design;  
FIG. 2 is a front perspective view thereof; and,  
FIG. 3 is a rear view thereof.  
The broken lines show portions of the vehicle wheel which form no part of the claimed design.

**1 Claim, 3 Drawing Sheets**

(56) **References Cited**  
U.S. PATENT DOCUMENTS

D248,295 S *	6/1978	Day .....	D12/206
D311,896 S *	11/1990	Mori .....	D12/209
D323,138 S *	1/1992	Malmgren .....	D12/211
D326,838 S *	6/1992	Julien .....	D12/211
D361,320 S *	8/1995	Wise .....	D12/209
D367,637 S *	3/1996	Hall .....	D12/209
D390,180 S *	2/1998	Dehner .....	D12/209
D455,701 S *	4/2002	McMath .....	D12/209



(56)

References Cited

U.S. PATENT DOCUMENTS

D701,811 S \* 4/2014 Hale, Jr. .... D12/211  
 D701,812 S 4/2014 Hale, Jr.  
 D701,813 S \* 4/2014 Kern ..... D12/211  
 D704,124 S \* 5/2014 Hale, Jr. .... D12/211  
 D707,610 S \* 6/2014 Hale, Jr. .... D12/211  
 D710,286 S \* 8/2014 Yamaguchi ..... D12/209  
 D712,814 S \* 9/2014 Starr, Jr. .... D12/209  
 D717,224 S \* 11/2014 Kim ..... D12/211  
 D717,711 S \* 11/2014 Kern ..... D12/211  
 D719,891 S \* 12/2014 Johnson ..... D12/209  
 D726,088 S \* 4/2015 Hodges ..... D12/211  
 D726,089 S \* 4/2015 Hodges ..... D12/211  
 D733,631 S 7/2015 Dionisopoulos et al.  
 D735,102 S 7/2015 Swanseger  
 D735,630 S 8/2015 Swanseger  
 D736,133 S 8/2015 Hale  
 D736,136 S 8/2015 Hale, Jr.  
 D736,138 S 8/2015 Hale  
 D737,189 S \* 8/2015 Claunch ..... D12/209  
 D738,279 S 9/2015 Dionisopoulos et al.  
 D741,241 S 10/2015 Hale, Jr.  
 D745,841 S \* 12/2015 Ferrett ..... D12/209  
 D747,251 S 1/2016 Hammond  
 D757,624 S 5/2016 Hammond  
 D757,628 S 5/2016 Rolfs et al.  
 D757,629 S 5/2016 Hubers et al.  
 D758,944 S 6/2016 Rolfs et al.  
 D760,138 S \* 6/2016 Henderson ..... D12/209  
 D760,139 S 6/2016 Dionisopoulos et al.  
 D762,546 S 8/2016 Giolito  
 D763,163 S \* 8/2016 Chung ..... D12/211  
 D763,760 S 8/2016 Gale et al.  
 D763,761 S 8/2016 Dionisopoulos et al.  
 D763,762 S 8/2016 Ghobrial et al.  
 D763,763 S 8/2016 Stone et al.  
 D763,764 S 8/2016 Dunford et al.

D765,002 S 8/2016 Hoste et al.  
 D765,574 S 9/2016 Hale, Jr.  
 D766,152 S \* 9/2016 Lickliter ..... D12/209  
 D766,803 S 9/2016 Giolito  
 D766,804 S 9/2016 Goodrich et al.  
 D766,806 S 9/2016 Tannen et al.  
 D767,468 S 9/2016 Stone et al.  
 D770,353 S 11/2016 Hale, Jr.  
 D772,133 S 11/2016 Stone et al.  
 D775,049 S 12/2016 Scheer et al.  
 D780,084 S 2/2017 Scheer et al.  
 D780,086 S 2/2017 Galante et al.  
 D780,660 S 3/2017 Giolito  
 D781,197 S 3/2017 Ninov et al.  
 D781,198 S 3/2017 Owens et al.  
 D781,199 S 3/2017 Dionisopoulos et al.  
 D781,201 S 3/2017 Ninov et al.  
 D781,206 S 3/2017 Giolito  
 D781,766 S 3/2017 Galante et al.  
 D782,383 S 3/2017 Owens et al.  
 D782,952 S 4/2017 Ninov et al.  
 D785,537 S \* 5/2017 Valencia Pollex ..... D12/211  
 D790,428 S \* 6/2017 Zhao ..... D12/211  
 D791,052 S \* 7/2017 Hodges ..... D12/211  
 D791,672 S \* 7/2017 Palana ..... D12/211  
 D791,975 S \* 7/2017 Nelson ..... D25/119  
 D795,779 S \* 8/2017 Valencia Pollex ..... D12/211  
 D798,786 S \* 10/2017 Chung ..... D12/209  
 D799,399 S \* 10/2017 Chung ..... D12/211  
 D800,633 S \* 10/2017 Kong ..... D12/211  
 D801,252 S \* 10/2017 McMath ..... D12/209  
 D802,512 S \* 11/2017 Kong ..... D12/211  
 D805,016 S \* 12/2017 Jallad ..... D12/209  
 D807,270 S \* 1/2018 Zhao ..... D12/211  
 D808,322 S \* 1/2018 Sempek ..... D12/209  
 D808,327 S \* 1/2018 Chung ..... D12/211  
 2015/0275336 A1 \* 10/2015 Fukuda ..... B22D 21/007  
 428/544

\* cited by examiner

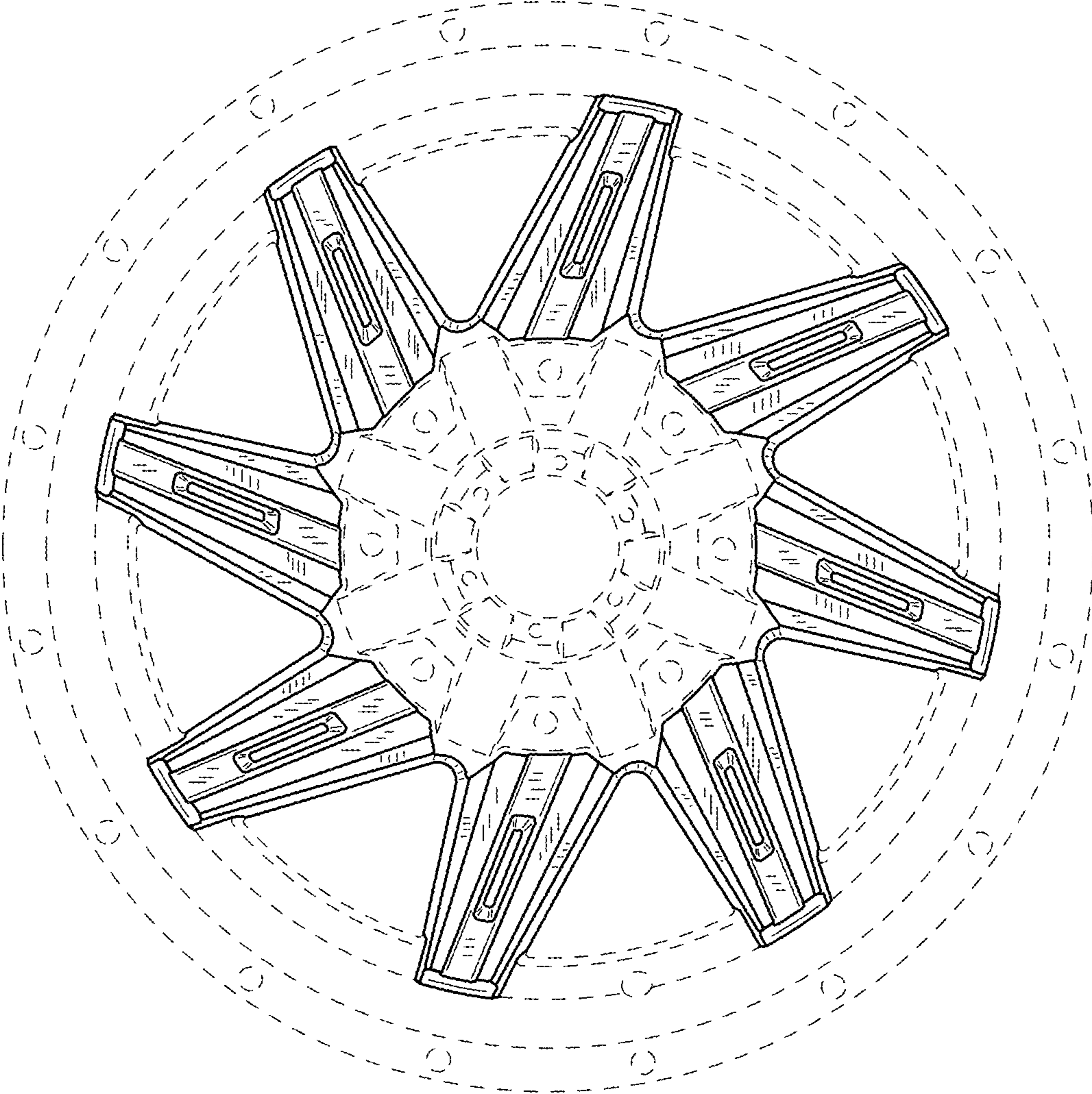


FIG.1

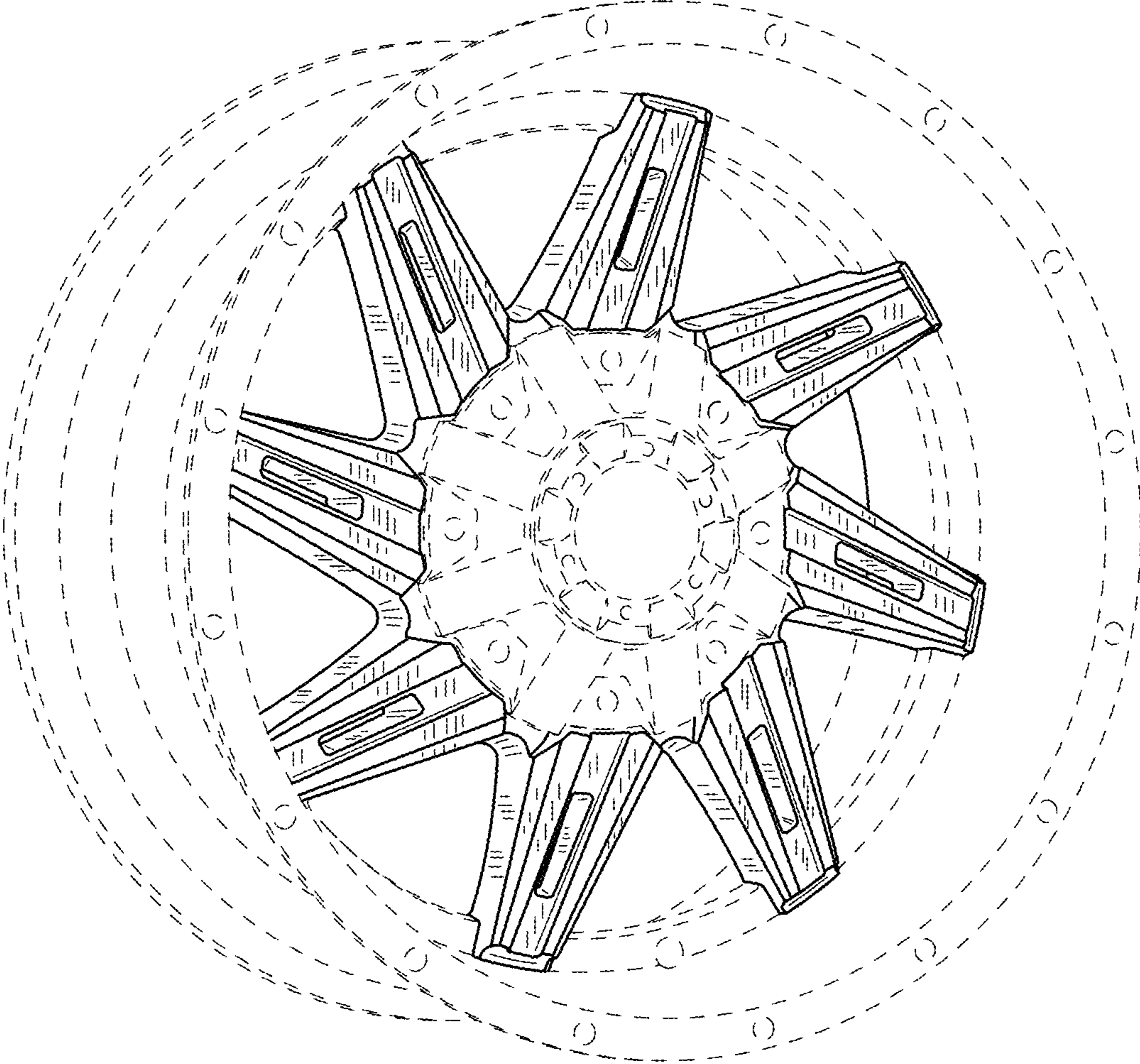


FIG.2

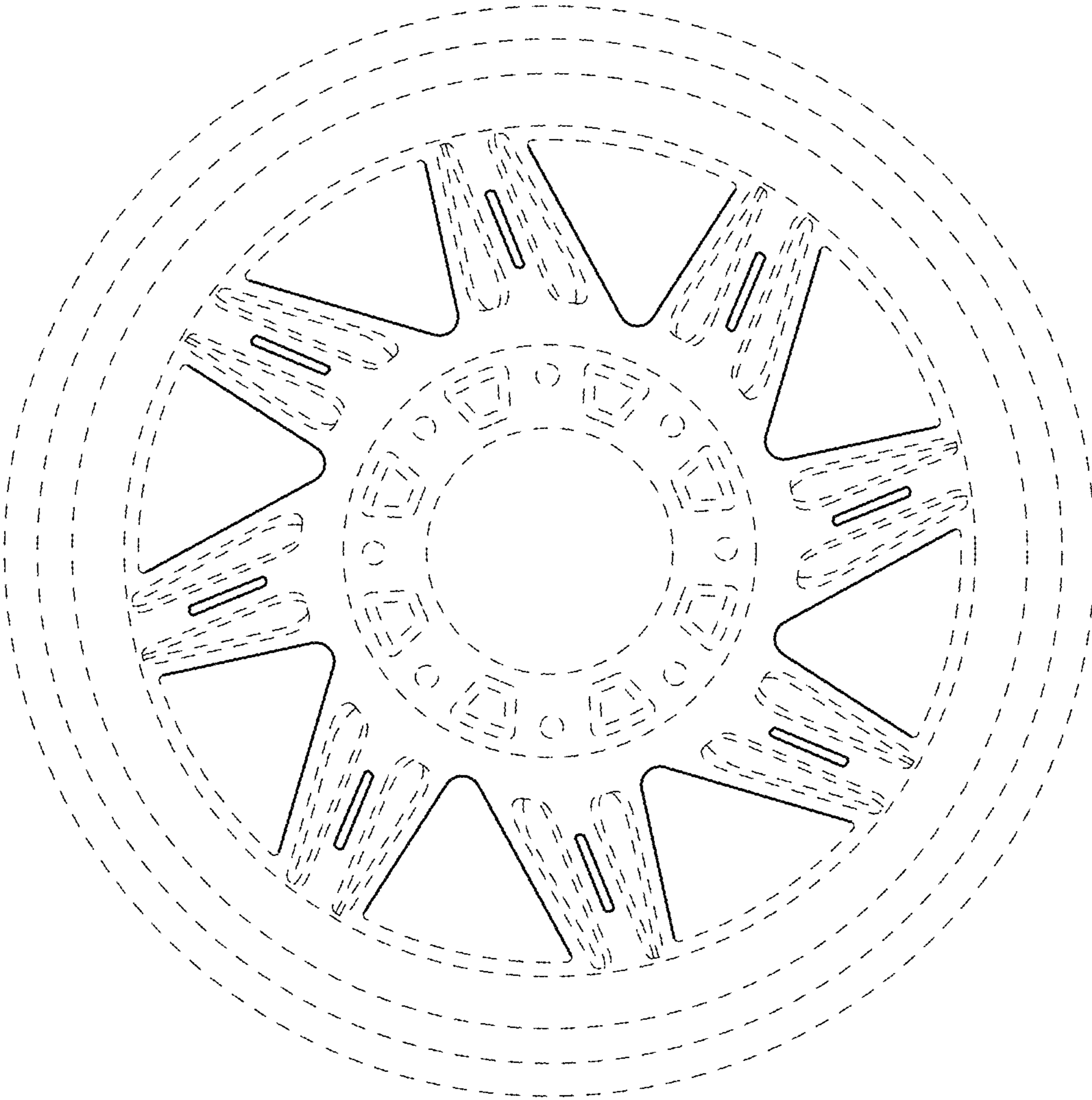


FIG.3