

US00D828269S

(12) **United States Design Patent**  
**Kikuchi**

(10) **Patent No.:** **US D828,269 S**

(45) **Date of Patent:** **\*\* Sep. 11, 2018**

(54) **WHEEL FOR AN AUTOMOBILE**  
(71) Applicant: **Subaru Corporation**, Tokyo (JP)  
(72) Inventor: **Kouta Kikuchi**, Tokyo (JP)  
(73) Assignee: **Subaru Corporation**, Tokyo (JP)  
(\*\*) Term: **15 Years**

D768,553 S \* 10/2016 Ishii ..... D12/209  
D769,165 S \* 10/2016 Choi ..... D12/209  
D774,434 S \* 12/2016 Nakahara ..... D12/209  
D774,437 S \* 12/2016 Nakano ..... D12/209  
D780,083 S \* 2/2017 Wheel ..... D12/209  
D783,492 S \* 4/2017 Valencia Pollex ..... D12/209  
D790,421 S \* 6/2017 Grewer ..... D12/209  
D791,670 S \* 7/2017 Valencia Pollex ..... D12/209  
D792,306 S \* 7/2017 Ishigaki ..... D12/209  
D806,629 S \* 1/2018 Bridan ..... D12/211

\* cited by examiner

(21) Appl. No.: **29/607,981**  
(22) Filed: **Jun. 19, 2017**

*Primary Examiner* — Sheryl Lane

*Assistant Examiner* — Calvin E Vansant

(74) *Attorney, Agent, or Firm* — Schiff Hardin LLP

(30) **Foreign Application Priority Data**

Dec. 19, 2016 (JP) ..... 2016-027417

(51) **LOC (11) Cl.** ..... **12-16**

(52) **U.S. Cl.**  
USPC ..... **D12/209**

(58) **Field of Classification Search**  
USPC ..... D12/204–213; D21/533, 561, 563  
CPC .... B60B 7/00; B60B 7/02; B60B 7/04; B60B  
7/06; B60B 3/02; B60B 3/04; B60B 3/06;  
B60B 3/10; B60B 1/00; B60B 1/08;  
B60B 1/10; B60B 1/12  
See application file for complete search history.

(57) **CLAIM**

I claim the ornamental design for a wheel for an automobile, as shown and described.

**DESCRIPTION**

FIG. 1 is a front perspective view for a “wheel for an automobile” showing my new design, FIG. 2 is a rear perspective view thereof, FIG. 3 is a front view thereof, FIG. 4 is a rear view thereof, FIG. 5 is a top view thereof, FIG. 6 is a bottom view thereof, FIG. 7 is a left-side view thereof, FIG. 8 is a right-side view thereof, FIG. 9 is an enlarged cross-sectional view taken along line 9-9 of FIG. 3; and, FIG. 10 is an enlarged cross-sectional view taken along line 10-10 of FIG. 3.

(56) **References Cited**

**U.S. PATENT DOCUMENTS**

D748,553 S \* 2/2016 Miyazawa ..... D12/209  
D754,047 S \* 4/2016 Frascella ..... D12/209  
D754,048 S \* 4/2016 Starr, Jr. .... D12/209  
D755,694 S \* 5/2016 Valencia Pollex ..... D12/209

**1 Claim, 7 Drawing Sheets**

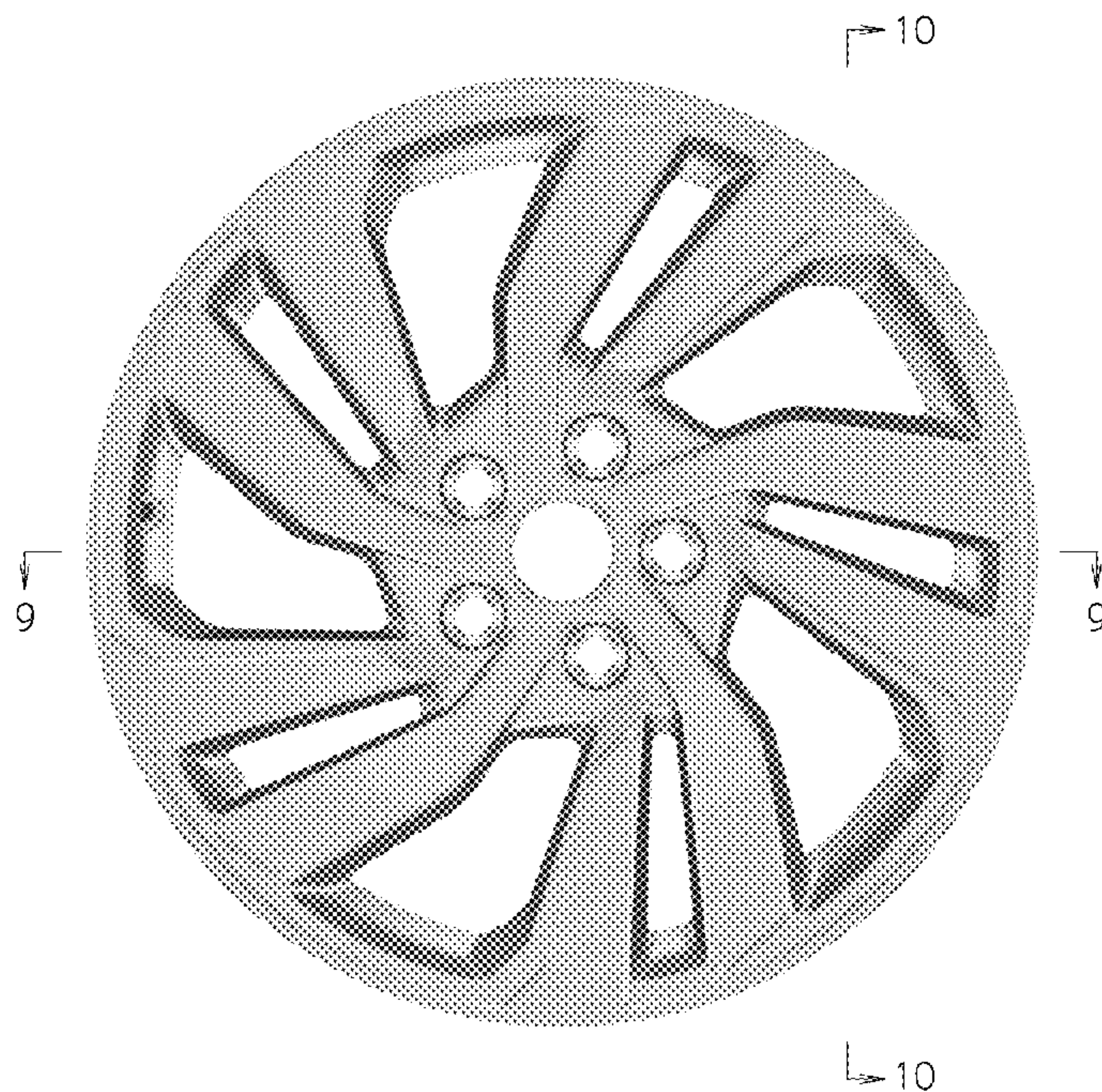




Fig. 1





Fig. 2





Fig. 3

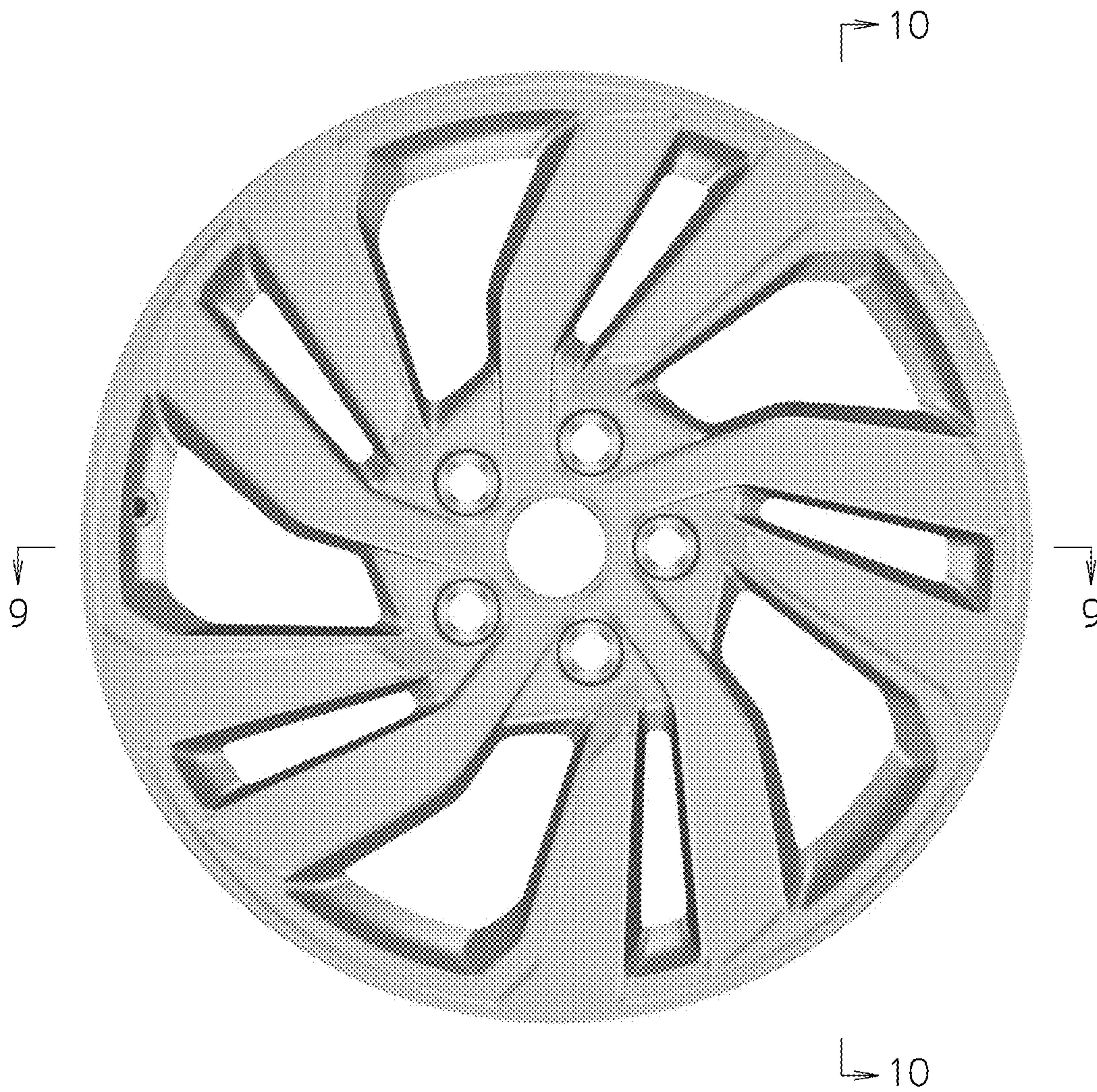




Fig. 4





Fig. 5

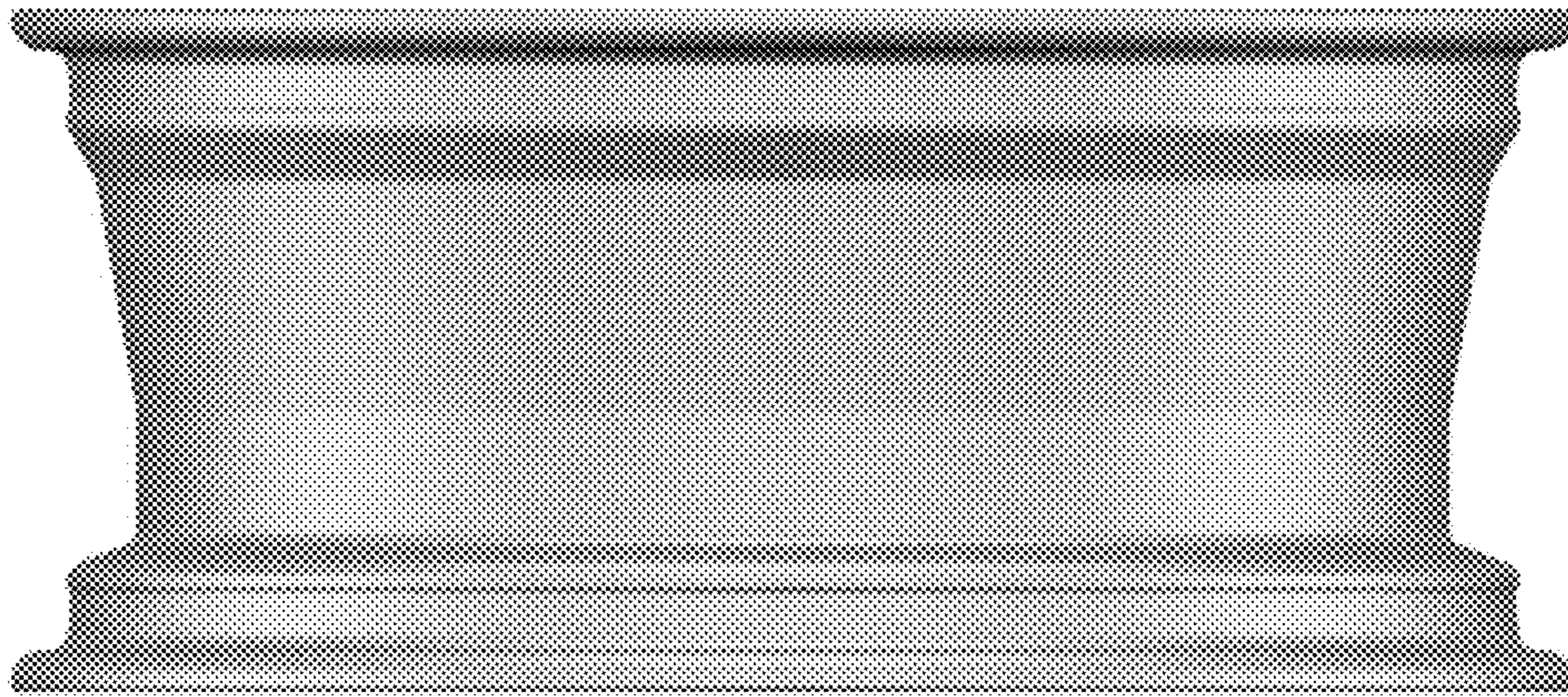


Fig. 6

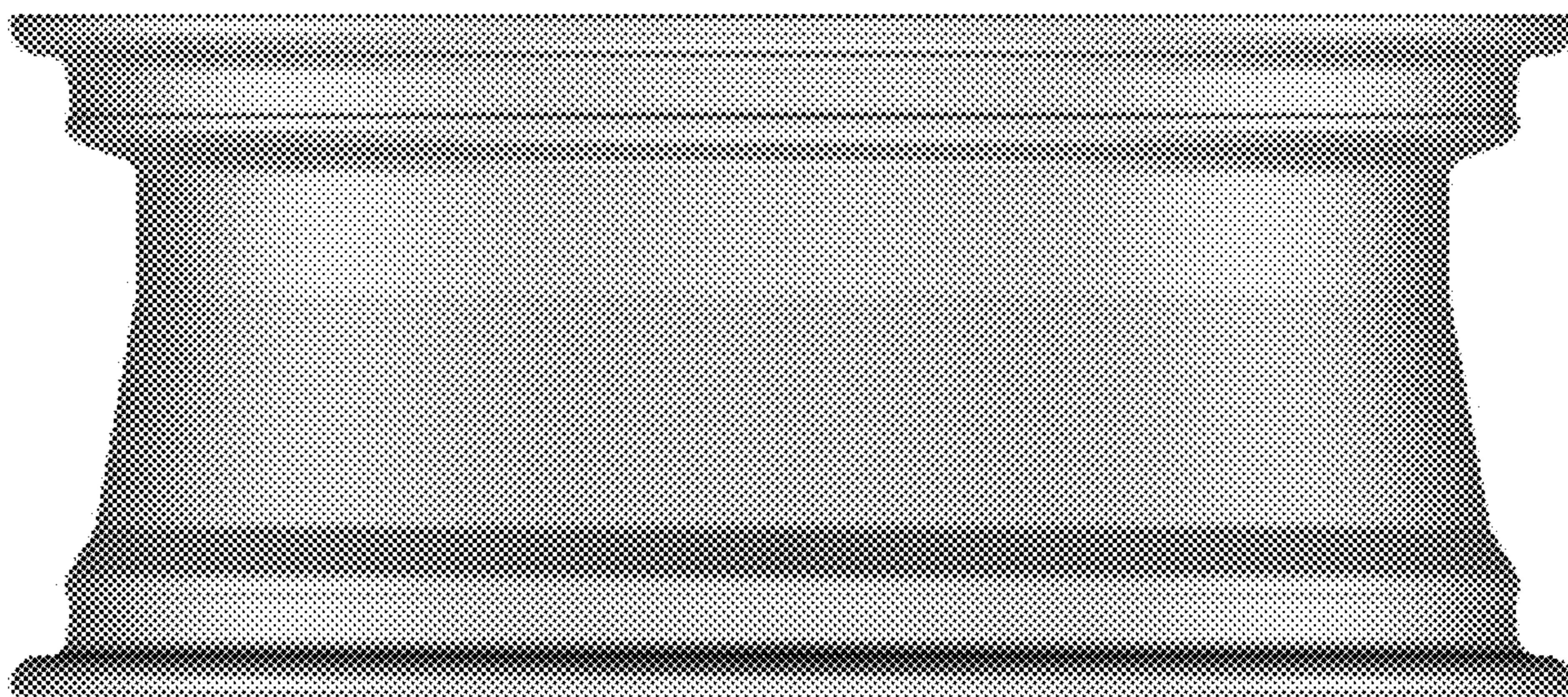




Fig. 7

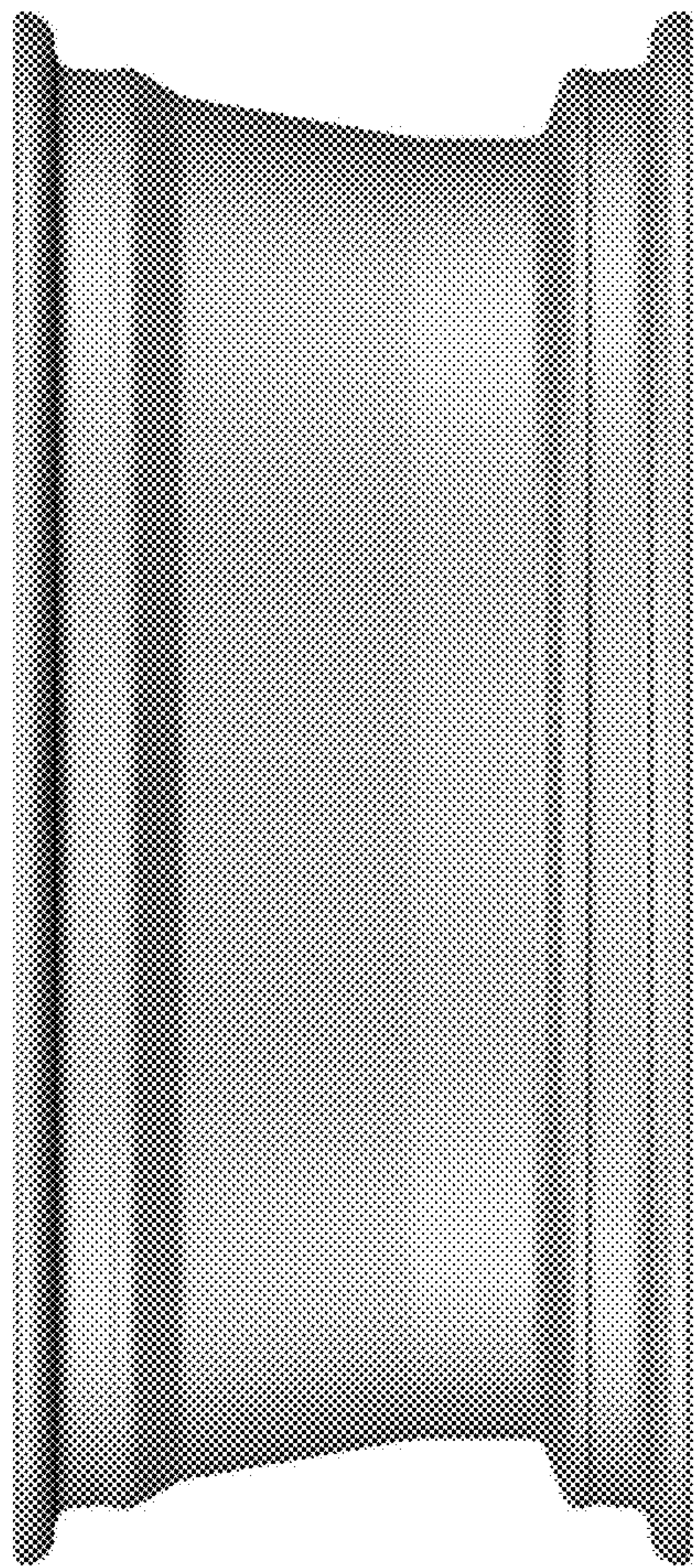


Fig. 8

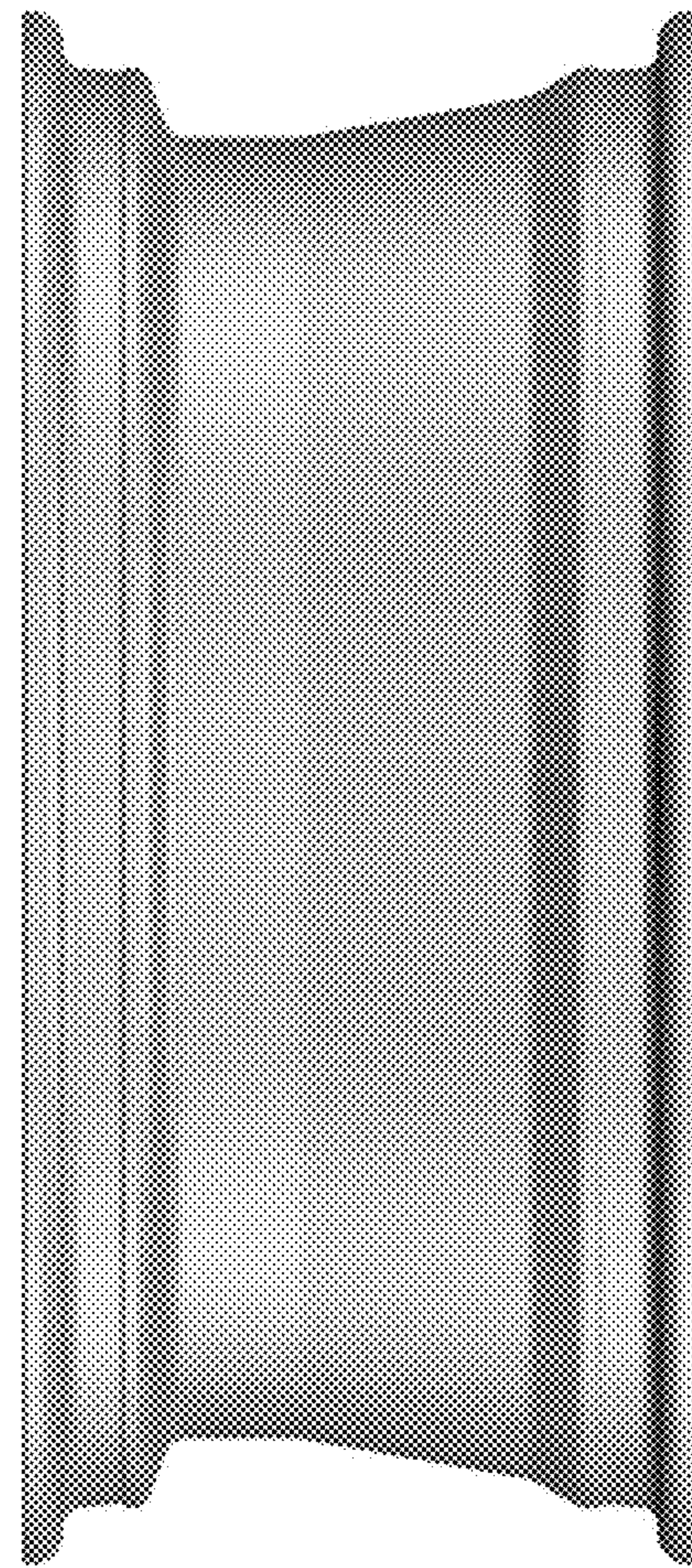


Fig. 9

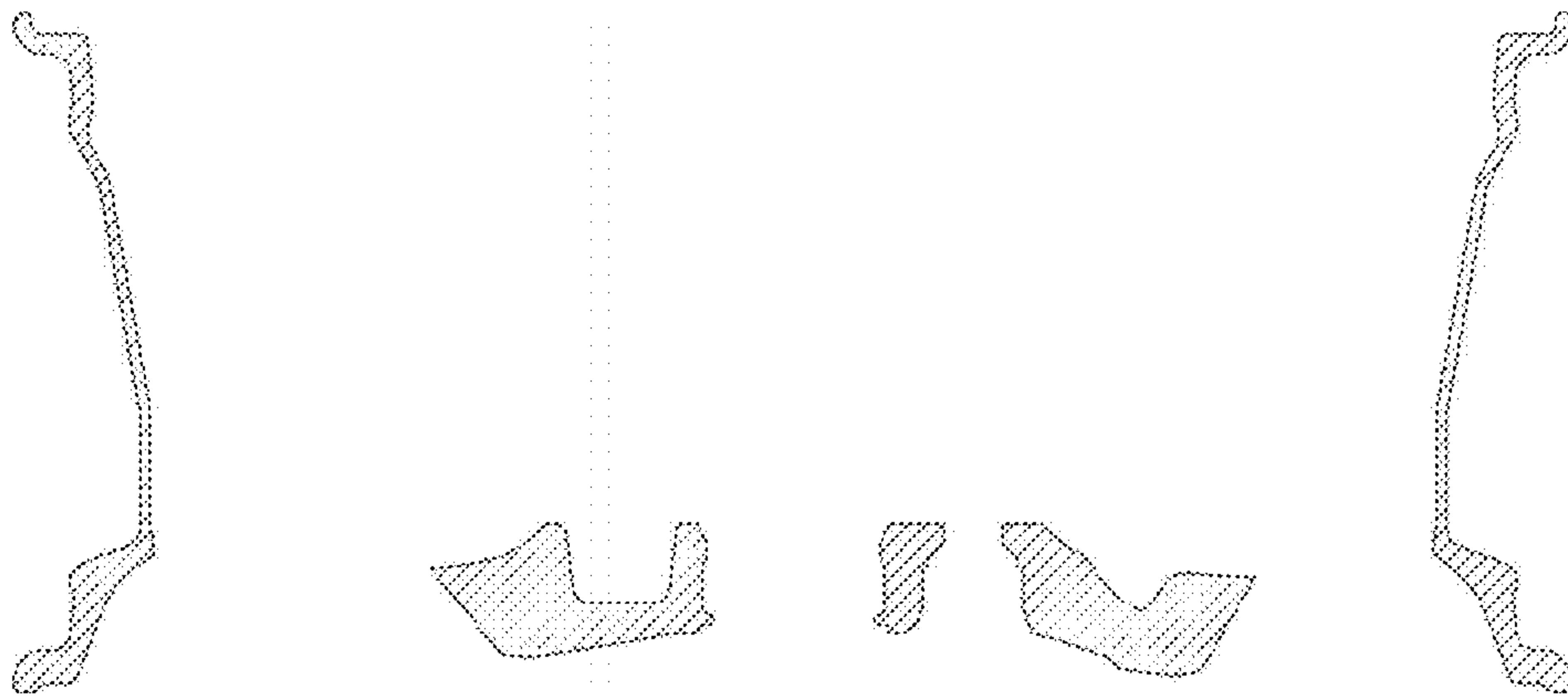


Fig. 10

