



US00D828268S

(12) **United States Design Patent**  
**Nakamura**

(10) **Patent No.:** **US D828,268 S**

(45) **Date of Patent:** **\*\* Sep. 11, 2018**

(54) **WHEEL FOR AN AUTOMOBILE**

(71) Applicant: **HONDA MOTOR CO., LTD.**, Tokyo (JP)

(72) Inventor: **Hiroaki Nakamura**, Wako (JP)

(73) Assignee: **HONDA MOTOR CO., LTD.**, Tokyo (JP)

(\*\*) Term: **15 Years**

(21) Appl. No.: **29/601,943**

(22) Filed: **Apr. 27, 2017**

(30) **Foreign Application Priority Data**

Nov. 4, 2016 (JP) ..... 2016-024016

(51) **LOC (11) Cl.** ..... **12-16**

(52) **U.S. Cl.**  
USPC ..... **D12/209**

(58) **Field of Classification Search**

USPC ..... D12/204–213; D21/533, 561, 563  
CPC .... B60B 7/00; B60B 7/02; B60B 7/04; B60B 7/06; B60B 3/02; B60B 3/04; B60B 3/06; B60B 3/10; B60B 1/00; B60B 1/08; B60B 1/10; B60B 1/12

See application file for complete search history.

(56) **References Cited**

**U.S. PATENT DOCUMENTS**

D670,636 S \* 11/2012 Juergens ..... D12/211  
D683,297 S \* 5/2013 Juergens ..... D12/211

D705,152 S \* 5/2014 Nakamura ..... D12/209  
D710,287 S \* 8/2014 Ishii ..... D12/209  
D710,779 S \* 8/2014 Zhang ..... D12/209  
D740,193 S \* 10/2015 Battams ..... D12/209  
D751,015 S \* 3/2016 Mahoney ..... D12/209  
D793,319 S \* 8/2017 Namba ..... D12/209  
D793,941 S \* 8/2017 Badstuebner ..... D12/211  
D794,530 S \* 8/2017 Langhals ..... D12/211  
D795,148 S \* 8/2017 Ariga ..... D12/209  
D803,128 S \* 11/2017 Svensson ..... D12/209

\* cited by examiner

*Primary Examiner* — Sheryl L Lane

*Assistant Examiner* — Calvin E Vansant

(74) *Attorney, Agent, or Firm* — Westerman, Hattori, Daniels & Adrian, LLP

(57) **CLAIM**

The ornamental design for a wheel for an automobile, as shown and described herein.

**DESCRIPTION**

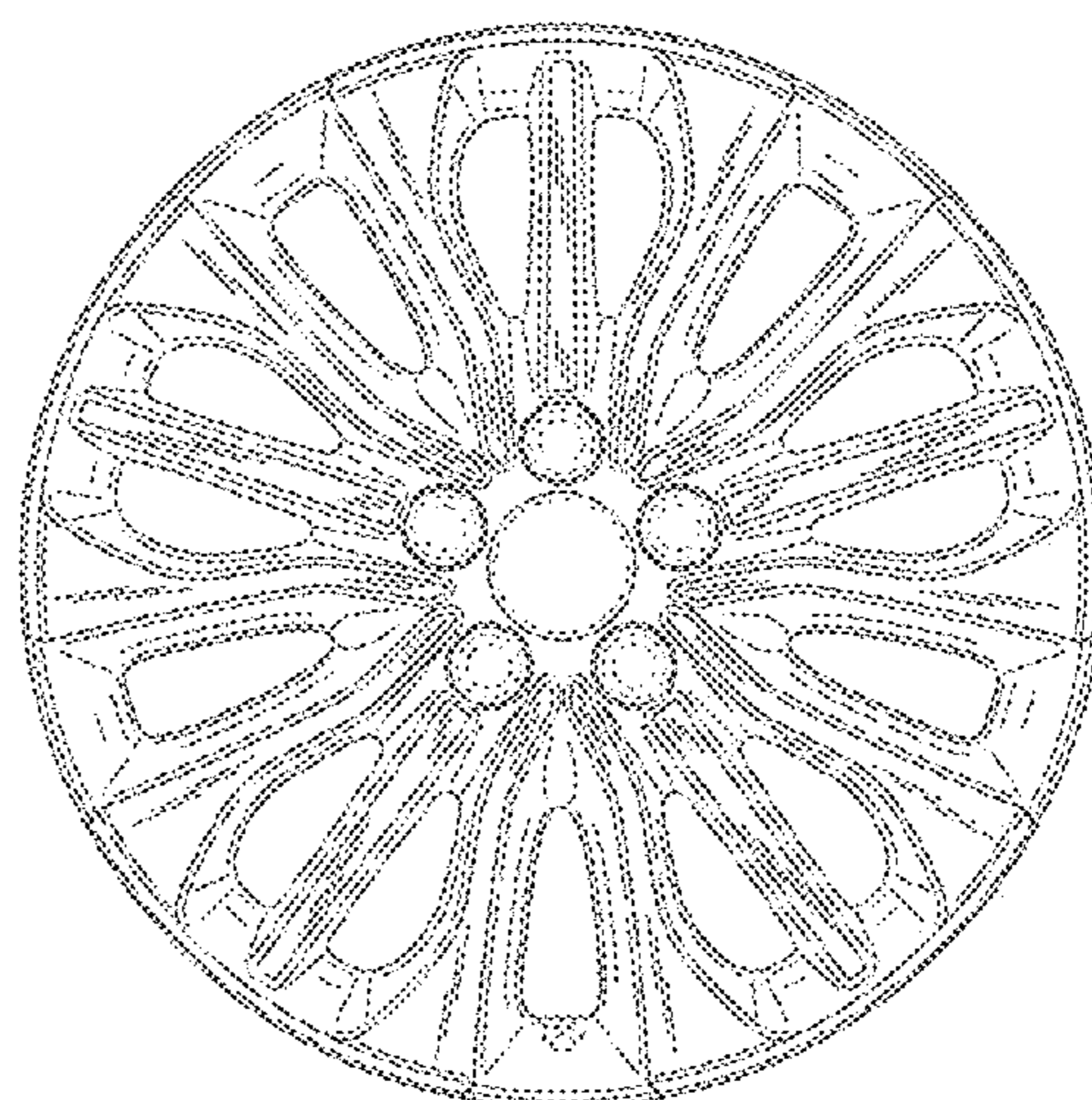
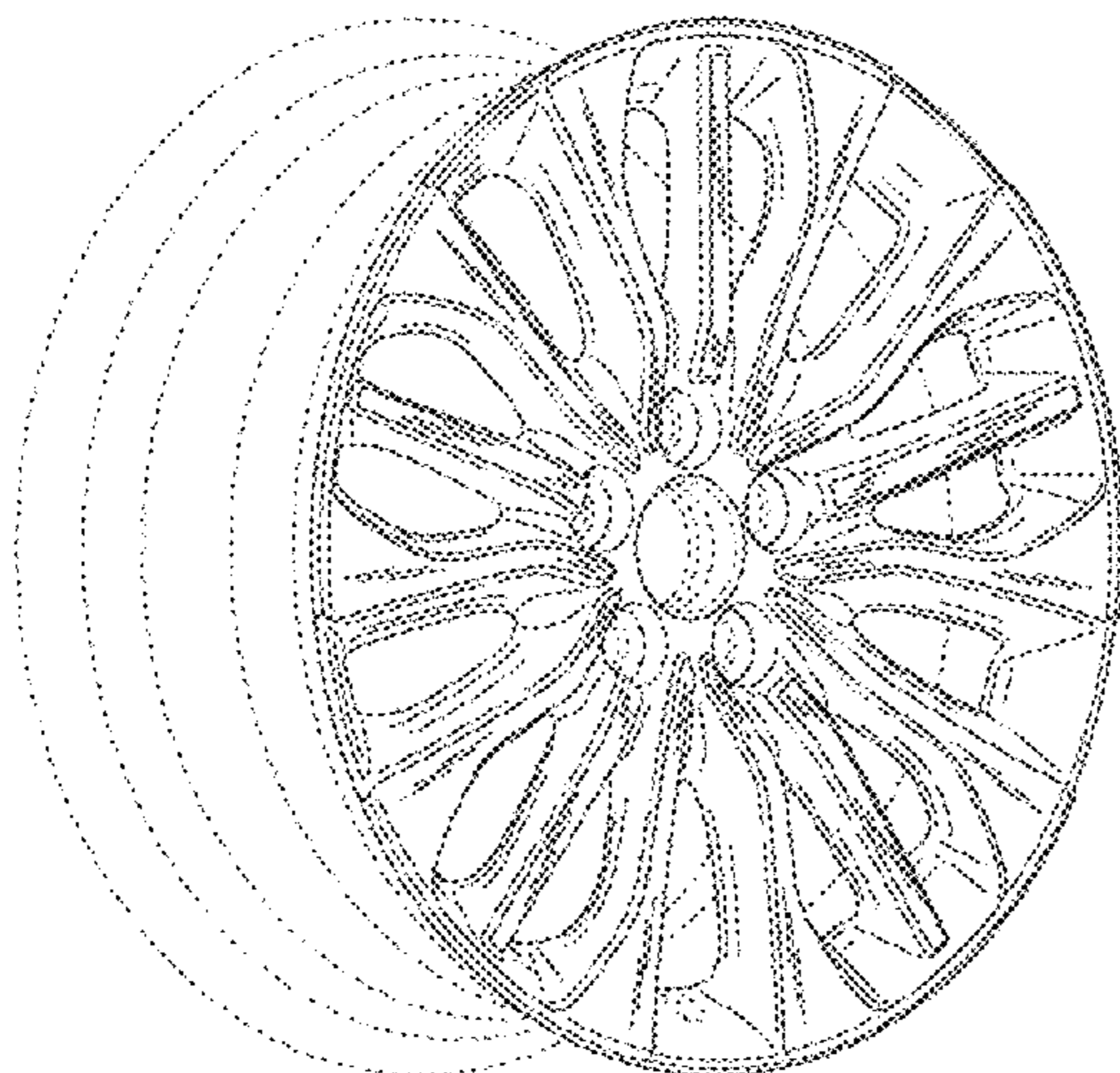
FIG. 1 is a front perspective view of a wheel for an automobile;

FIG. 2 is an enlarged partial view thereof; and,

FIG. 3 is a front view thereof.

The broken lines in the drawings illustrate portions of the wheel for an automobile that form no part of the claimed design.

**1 Claim, 3 Drawing Sheets**



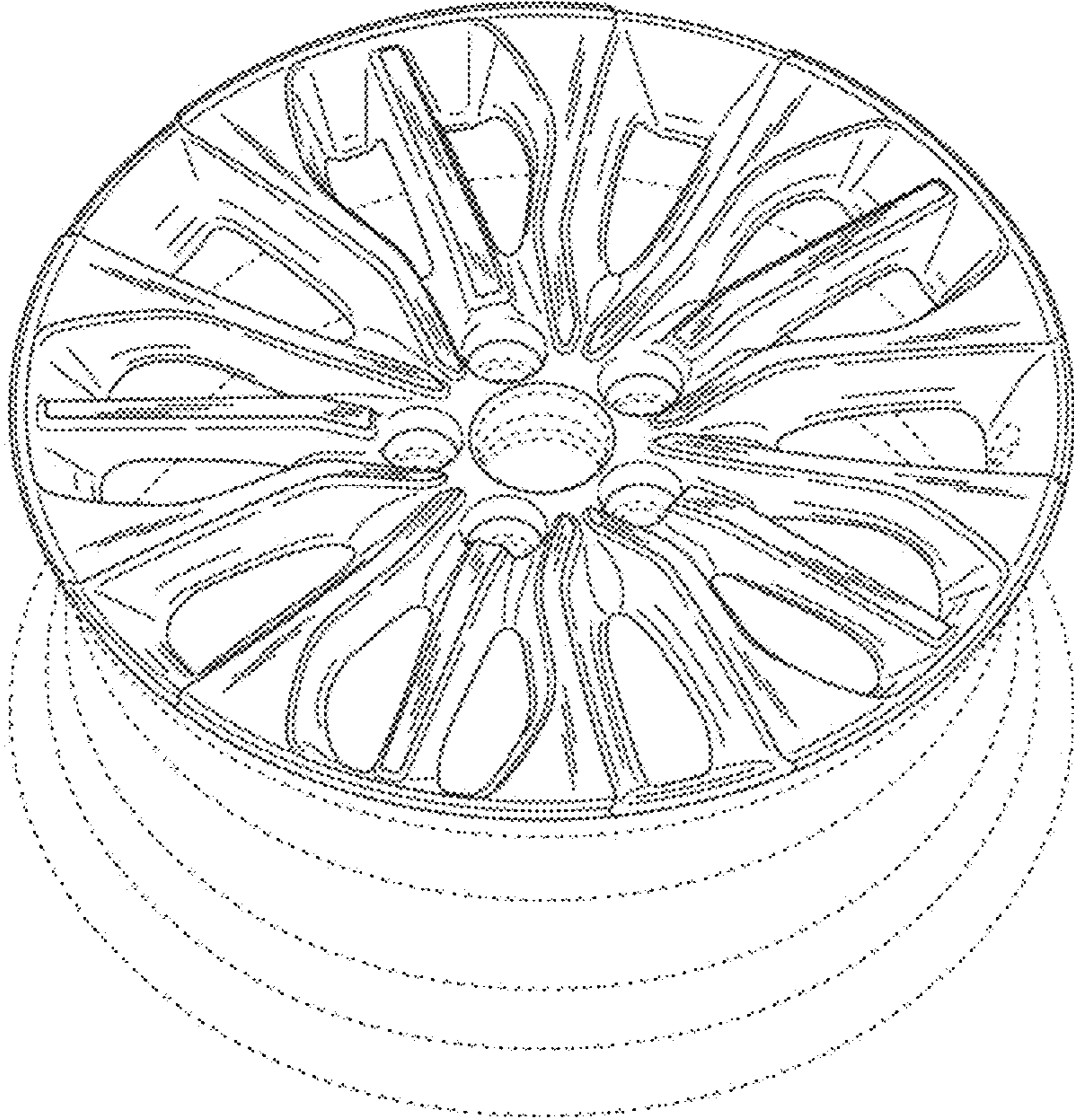


FIG. 1

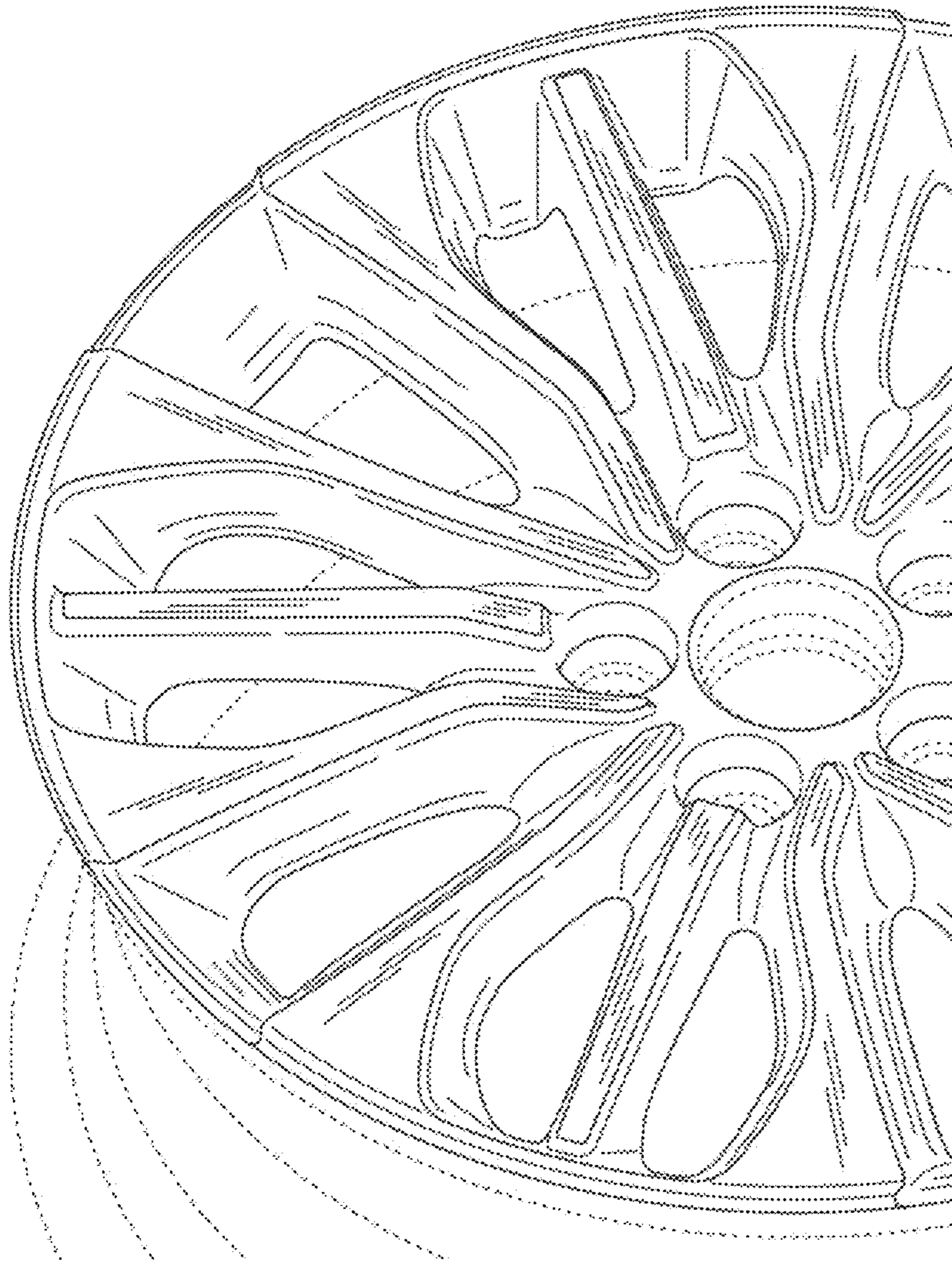


FIG. 2

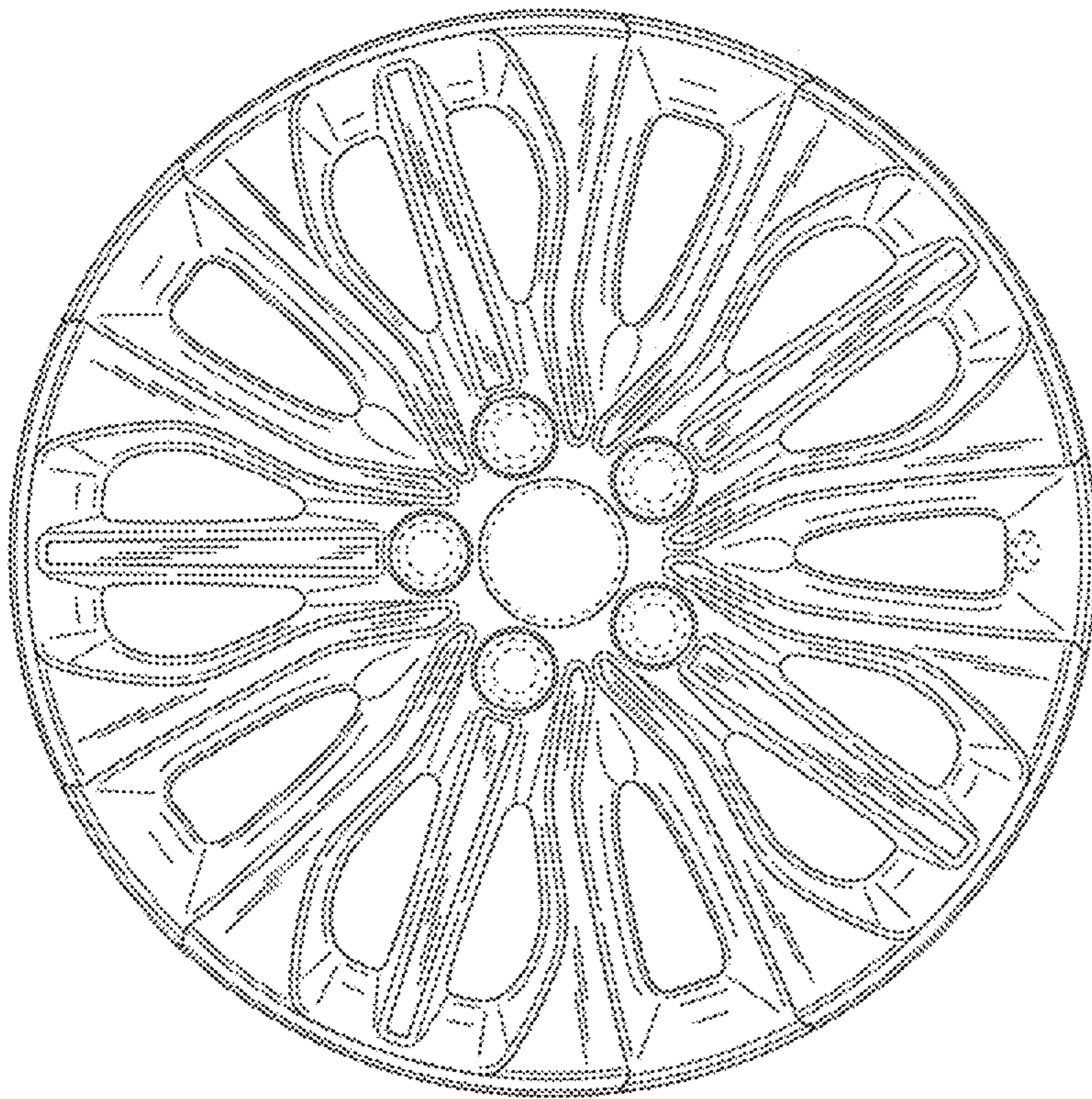


FIG. 3