



US00D828267S

(12) **United States Design Patent**
Badstuebner et al.

(10) **Patent No.:** **US D828,267 S**
(45) **Date of Patent:** **** Sep. 11, 2018**

(54) **WHEEL OR WHEEL COVER**

(71) Applicant: **Daimler AG**, Stuttgart (DE)

(72) Inventors: **Achim-Dietrich Badstuebner**, Munich (DE); **Robert Lesnik**, Leonberg (DE); **Patrick Guth**, Hueffenhard (DE); **Peter Riedel**, Holzgerlingen (DE)

(73) Assignee: **Daimler AG**, Stuttgart (DE)

(**) Term: **15 Years**

(21) Appl. No.: **29/599,348**

(22) Filed: **Apr. 3, 2017**

(51) **LOC (11) Cl.** **12-16**

(52) **U.S. Cl.**
USPC **D12/209**

(58) **Field of Classification Search**
USPC D12/204–213; D21/533, 561, 563
CPC B60B 7/00; B60B 7/02; B60B 7/04; B60B 7/06; B60B 3/02; B60B 3/04; B60B 3/06; B60B 3/10; B60B 1/00; B60B 1/08; B60B 1/10; B60B 1/12
See application file for complete search history.

(56) **References Cited**

U.S. PATENT DOCUMENTS

D534,473 S * 1/2007 Bernoni D12/211
D626,053 S * 10/2010 Groom D12/211

D638,770 S * 5/2011 Chung D12/211
D713,313 S * 9/2014 Stucki D12/209
D721,028 S * 1/2015 Lemke D12/211
D737,190 S * 8/2015 Kern D12/211
D744,931 S * 12/2015 Curic D12/211
D748,558 S * 2/2016 Hans D12/211
D749,029 S * 2/2016 Wheel D12/211
D751,481 S * 3/2016 Chung D12/209
D755,690 S * 5/2016 von Tardy-Tuch D12/209
D764,372 S * 8/2016 Behmer D12/211
D768,047 S * 10/2016 Hans D12/211
D786,159 S * 5/2017 Boyd D12/211
D793,939 S * 8/2017 Hans D12/211
D797,636 S * 9/2017 Chung D12/211
D798,214 S * 9/2017 Kolb D12/211
D821,286 S * 6/2018 Zhao D12/211

* cited by examiner

Primary Examiner — Sheryl Lane

Assistant Examiner — Calvin E Vansant

(74) *Attorney, Agent, or Firm* — Crowell & Moring LLP

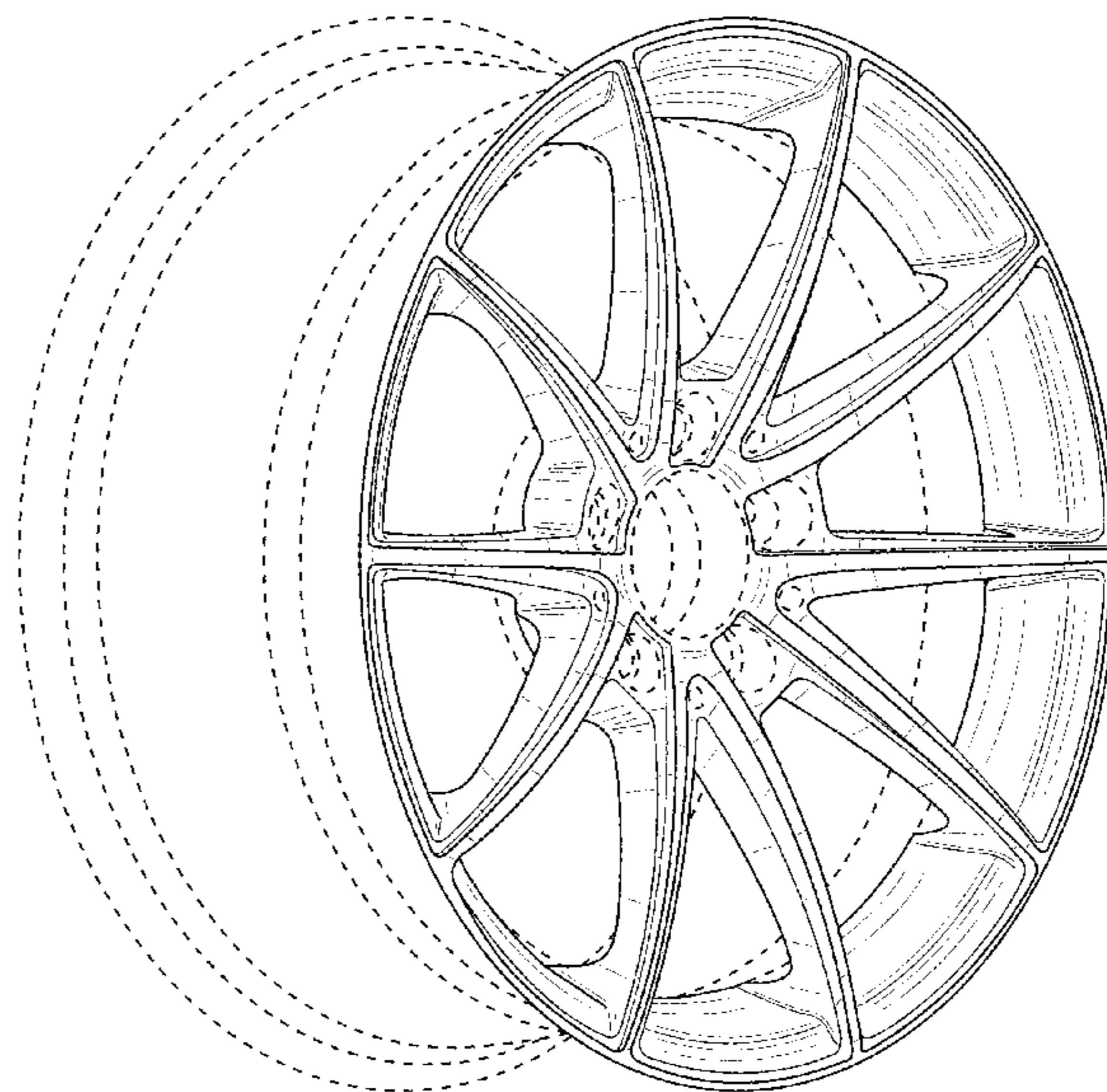
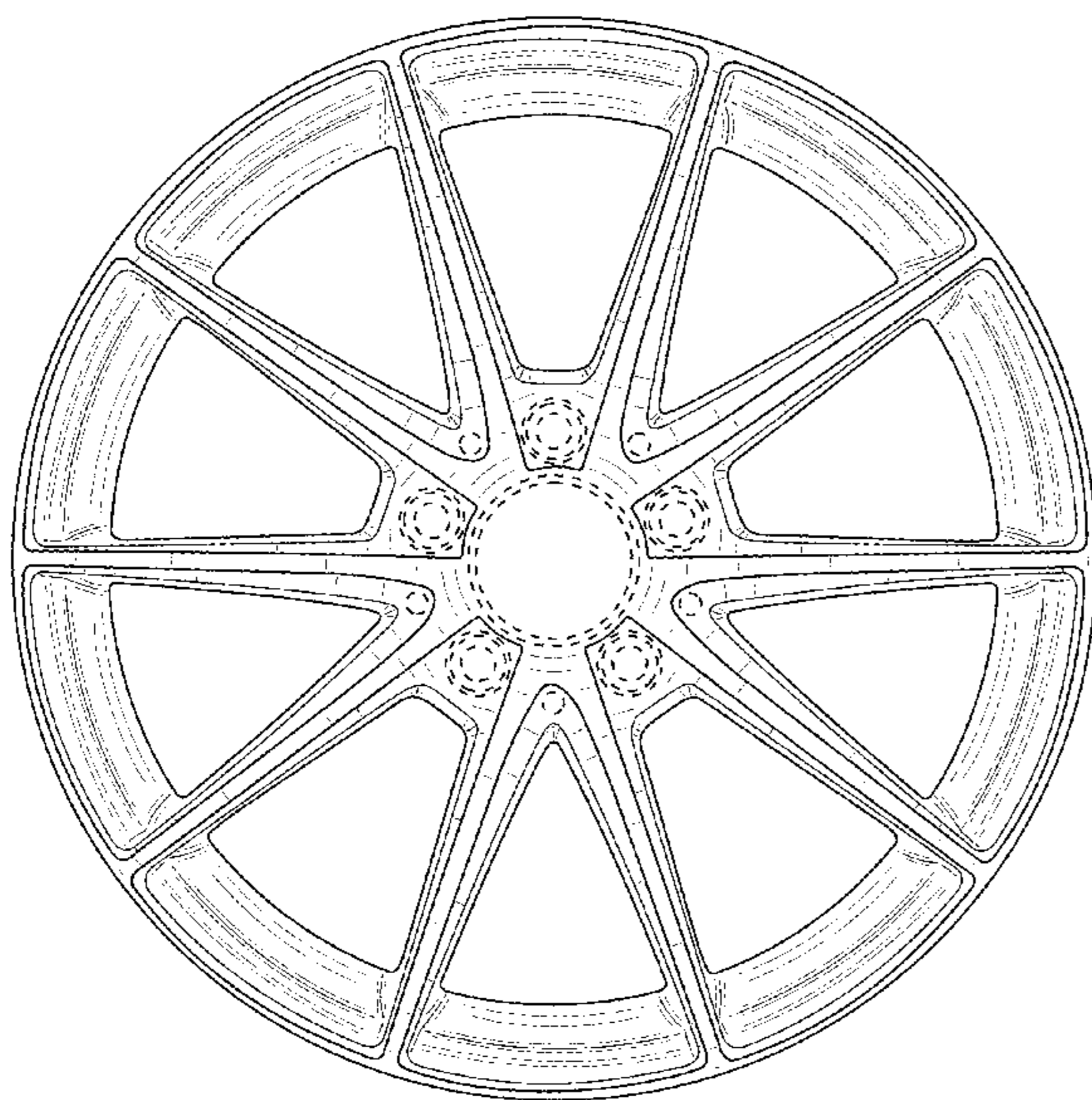
(57) **CLAIM**

The ornamental design for a wheel or wheel cover, as shown and described.

DESCRIPTION

FIG. 1 is a front view of a wheel or wheel cover according to the design; and,
FIG. 2 is a perspective view thereof.
The broken lines in the drawings illustrate environmental subject matter only and form no part of the claimed design.

1 Claim, 2 Drawing Sheets



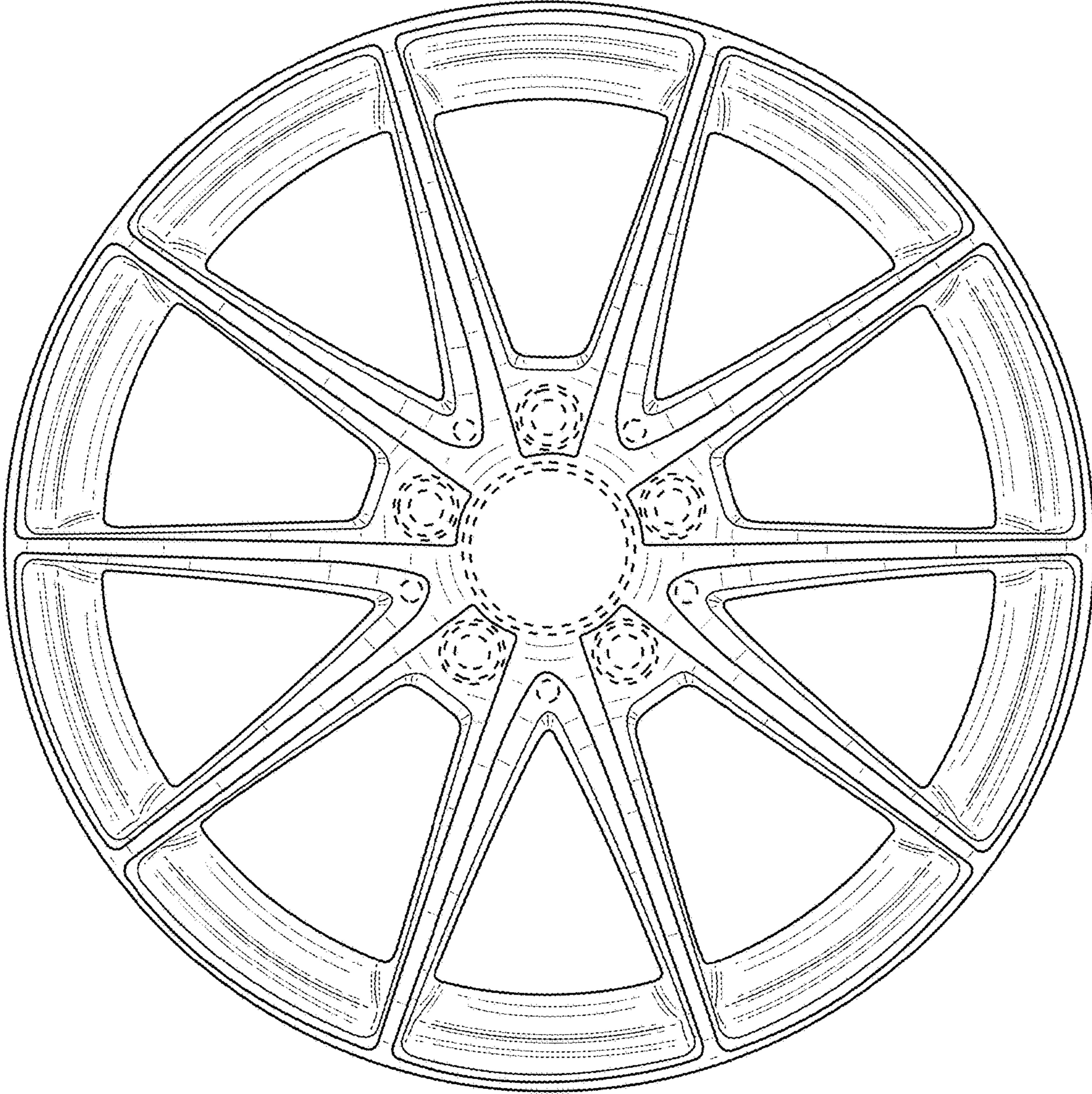


FIG. 1

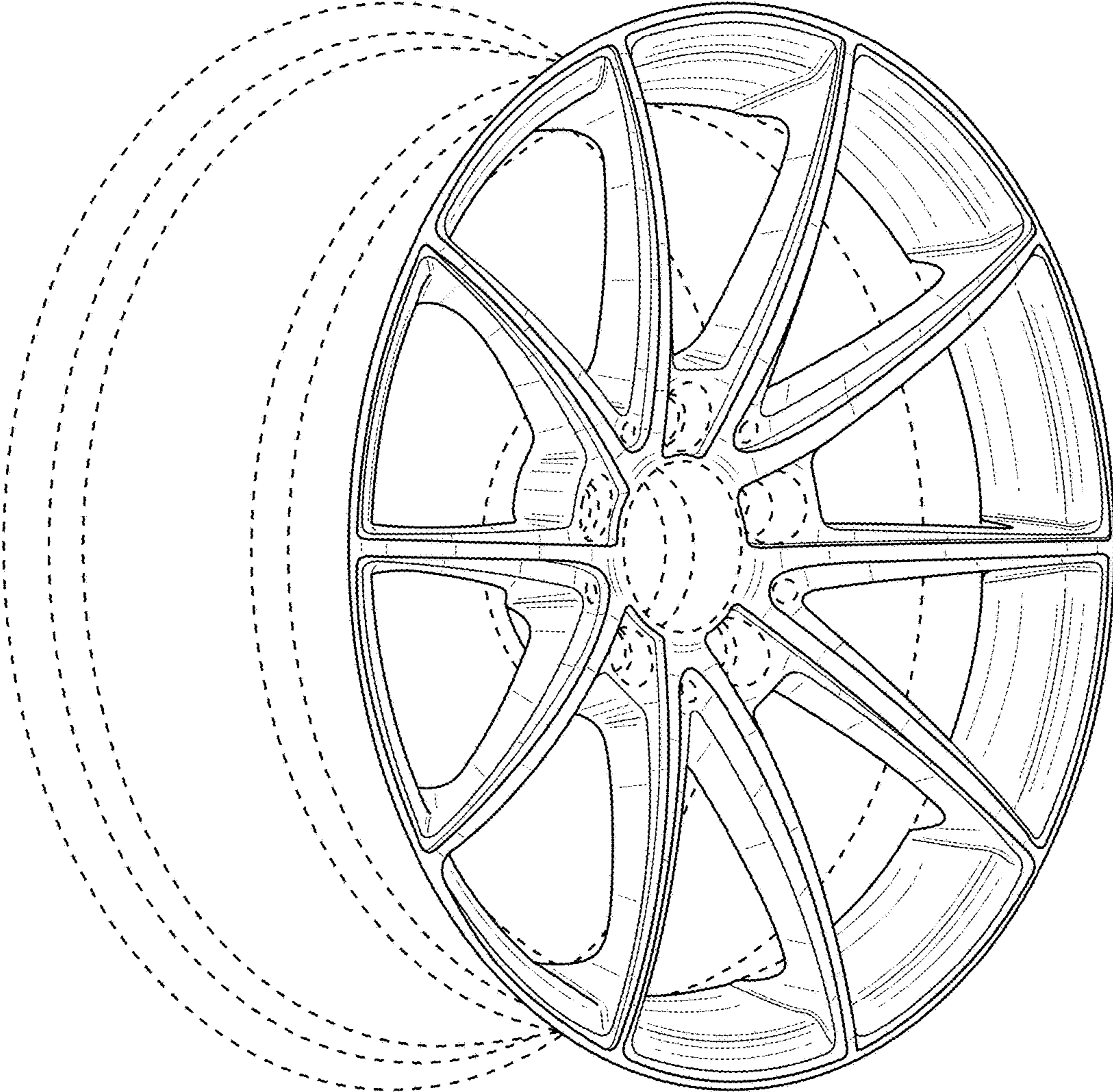


FIG. 2