



US00D828264S

(12) **United States Design Patent**  
**Owens et al.**

(10) **Patent No.:** **US D828,264 S**

(45) **Date of Patent:** **\*\* Sep. 11, 2018**

(54) **AUTOMOBILE WHEEL**

(71) Applicants: **John S Owens**, Pleasant Ridge, MI (US); **Mohamad Hammoud**, Lake Orion, MI (US); **Mark T Allen**, Oxford, MI (US)

(72) Inventors: **John S Owens**, Pleasant Ridge, MI (US); **Mohamad Hammoud**, Lake Orion, MI (US); **Mark T Allen**, Oxford, MI (US)

(73) Assignee: **FCA US LLC**, Auburn Hills, MI (US)

(\*\*) Term: **15 Years**

(21) Appl. No.: **29/555,845**

(22) Filed: **Feb. 25, 2016**

(51) **LOC (11) Cl.** ..... **12-16**

(52) **U.S. Cl.**  
USPC ..... **D12/209**

(58) **Field of Classification Search**  
USPC ..... D12/204–213; D21/533, 561, 563  
CPC .... B60B 7/00; B60B 7/02; B60B 7/04; B60B 7/06; B60B 3/02; B60B 3/04; B60B 3/06; B60B 3/10; B60B 1/00; B60B 1/08; B60B 1/10; B60B 1/12  
See application file for complete search history.

(56) **References Cited**

**U.S. PATENT DOCUMENTS**

D451,067 S \* 11/2001 Frizzi ..... D12/211  
D472,865 S \* 4/2003 Wechner ..... D12/211

D480,035 S \* 9/2003 Frohlich ..... D12/211  
D527,332 S \* 8/2006 Khan ..... D12/211  
D571,704 S \* 6/2008 Kahn ..... D12/211  
D597,015 S \* 7/2009 Juergens ..... D12/211  
D636,320 S \* 4/2011 Lamm ..... D12/211  
D671,476 S \* 11/2012 Pinel ..... D12/209  
D726,087 S \* 4/2015 Breyton ..... D12/211  
D735,102 S \* 7/2015 Swanseger ..... D12/209  
D753,047 S \* 4/2016 Alfonso ..... D12/211  
D778,799 S \* 2/2017 Gallert ..... D12/211  
D786,766 S \* 5/2017 Rueckheim ..... D12/209  
D808,324 S \* 1/2018 Ninov ..... D12/211  
D819,538 S \* 6/2018 Badstuebner ..... D12/211

\* cited by examiner

*Primary Examiner* — Sheryl Lane

*Assistant Examiner* — Calvin E Vansant

(74) *Attorney, Agent, or Firm* — Ralph E. Smith

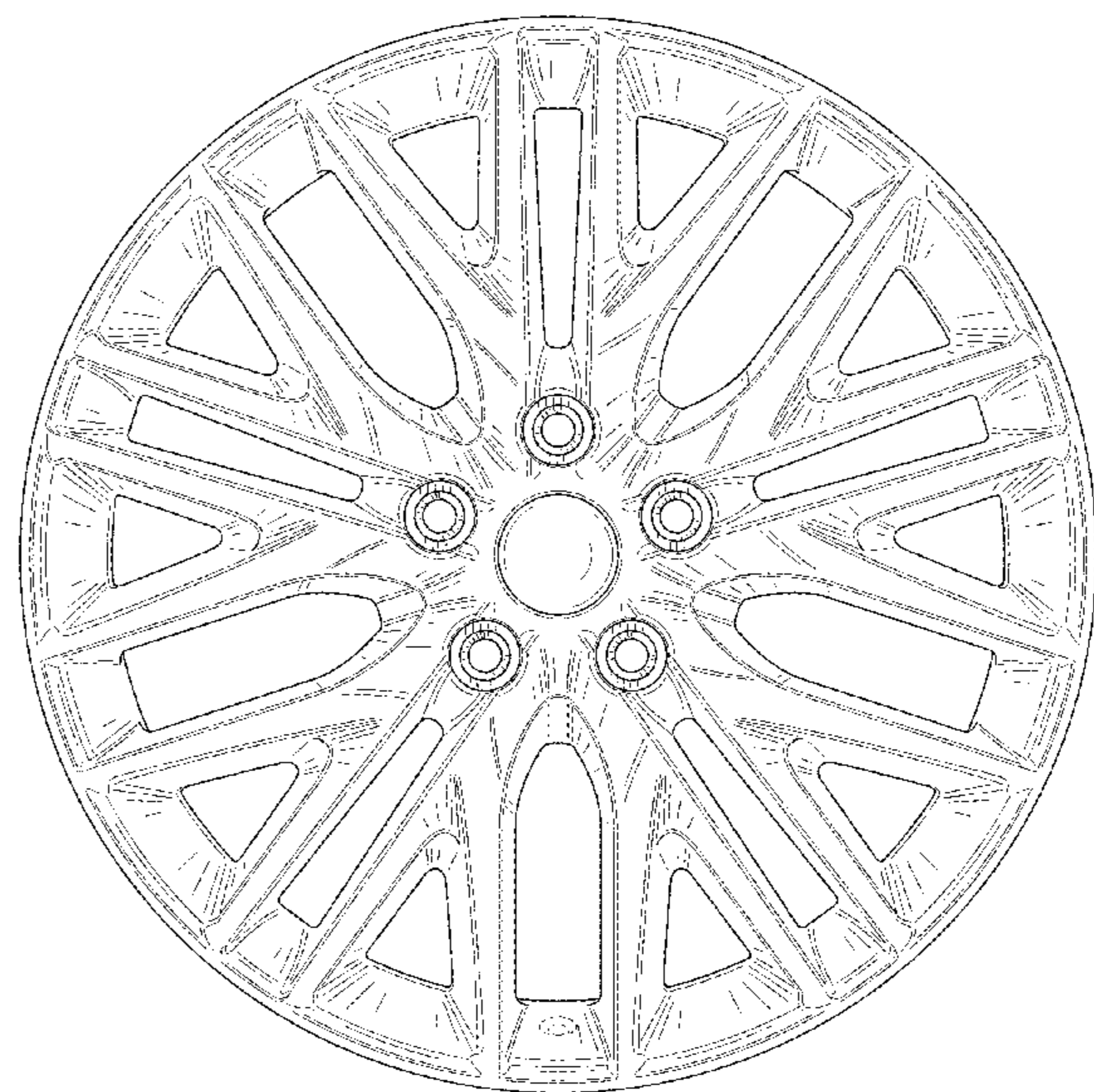
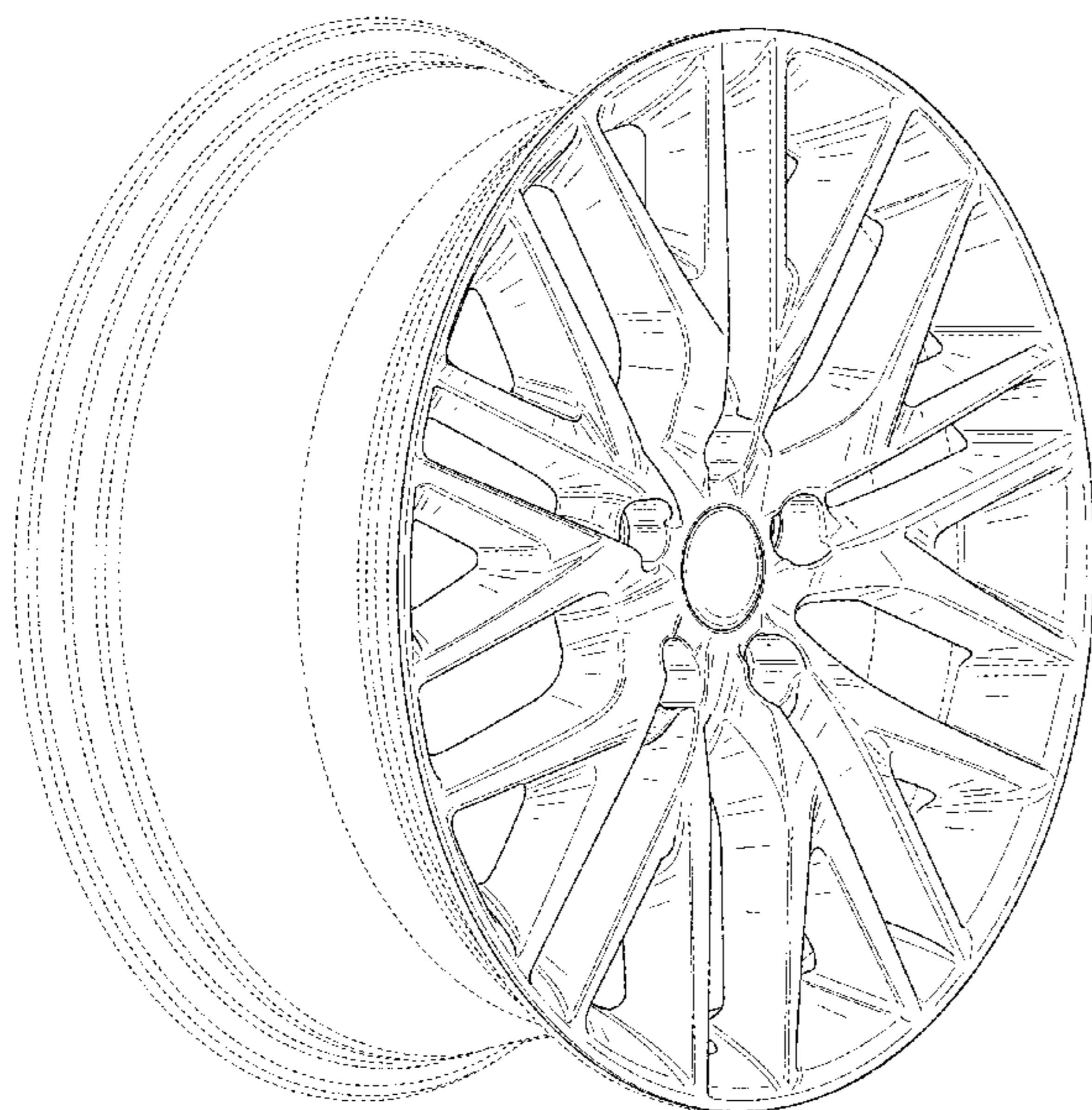
(57) **CLAIM**

The ornamental design for an automobile wheel, as shown and described.

**DESCRIPTION**

FIG. 1 is a left side perspective view of an automobile wheel showing our new design; FIG. 2 is a front view thereof; and, FIG. 3 is a right side perspective view. It will be understood that the broken lines shown in the drawings illustrate portions of the automobile wheel that form no part of claimed design.

**1 Claim, 3 Drawing Sheets**



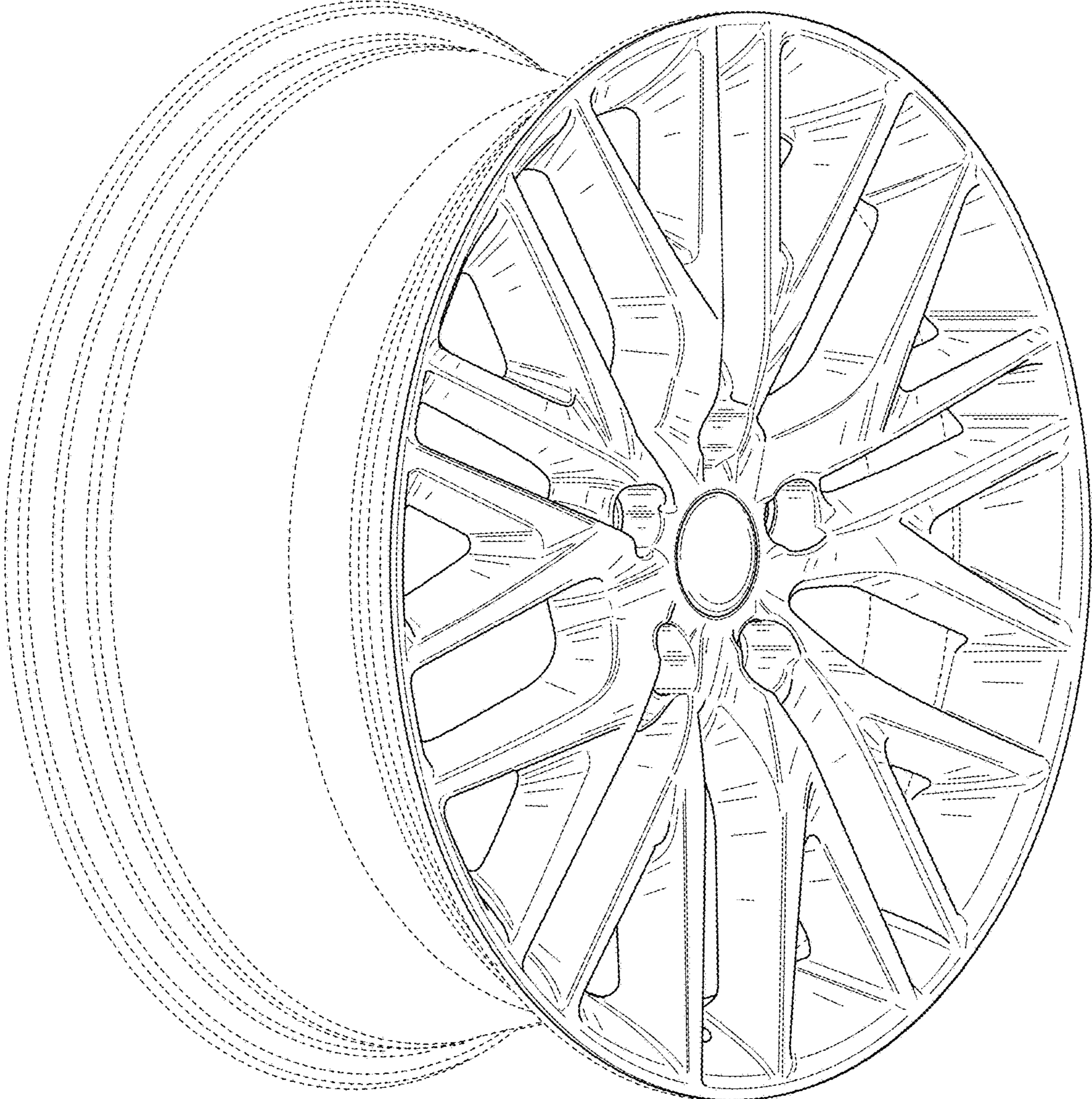


FIG. 1

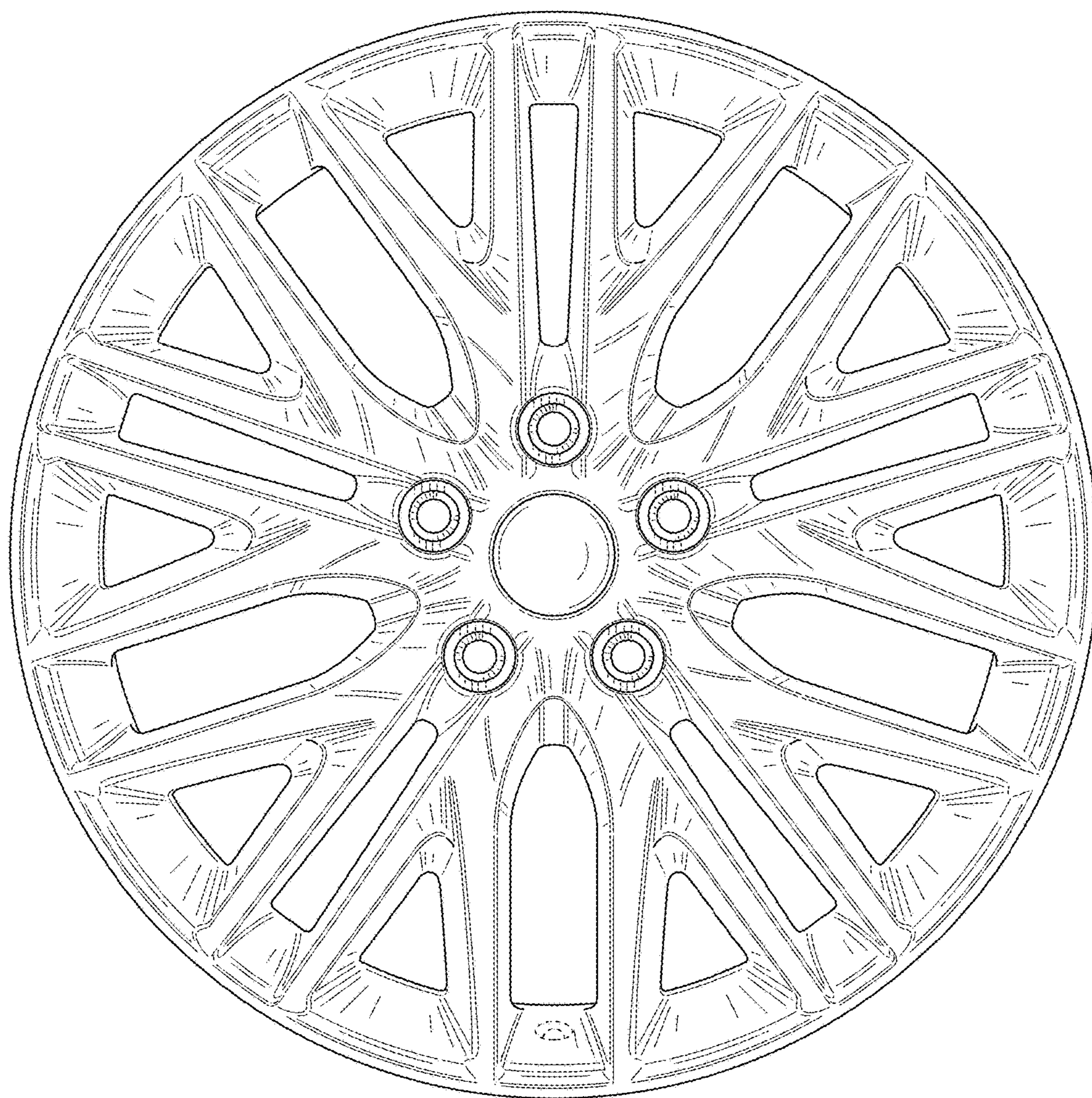


FIG. 2

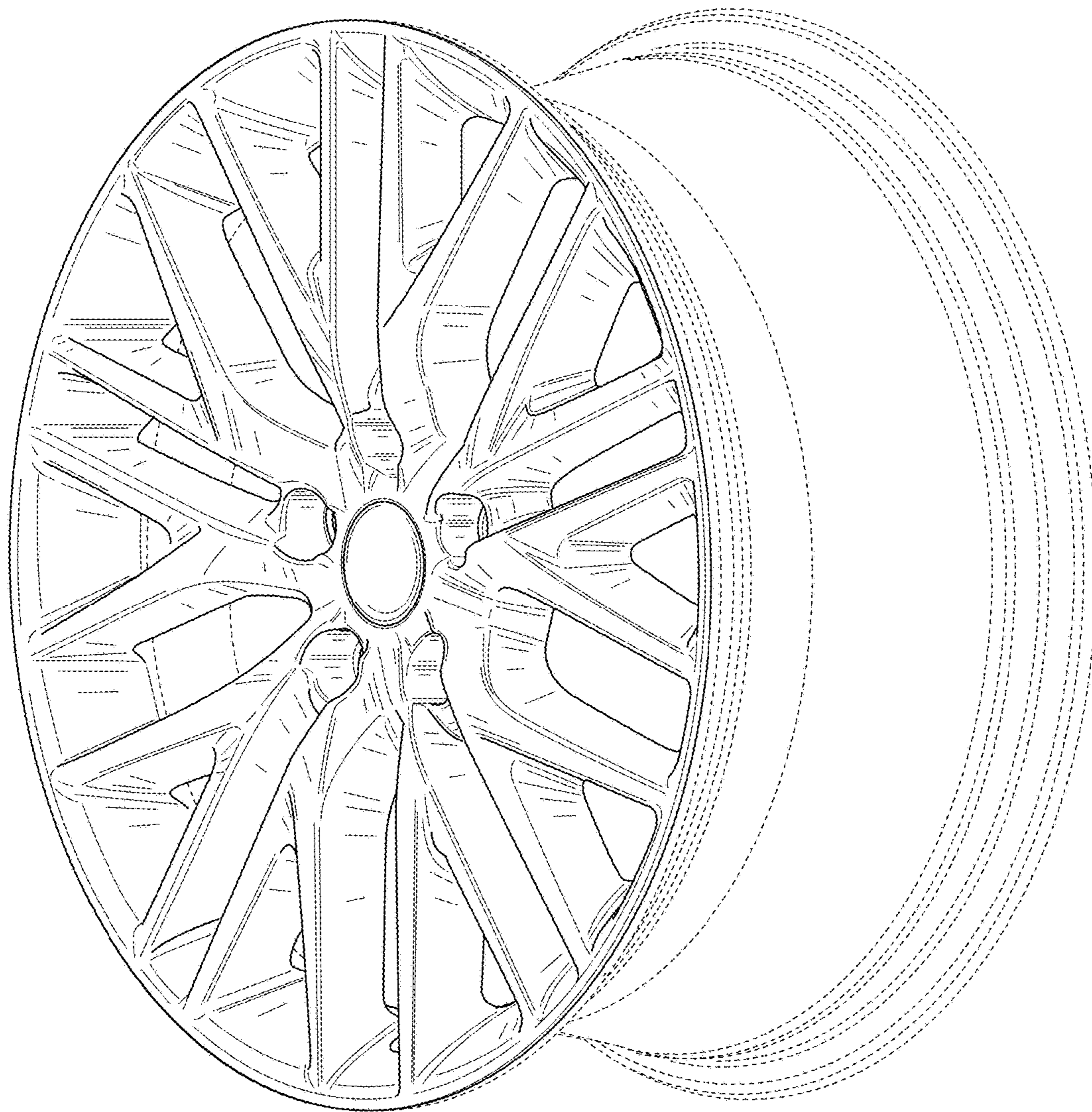


FIG. 3