



US00D828263S

(12) **United States Design Patent** (10) **Patent No.:** **US D828,263 S**  
**Woodhouse et al.** (45) **Date of Patent:** **\*\* Sep. 11, 2018**

- (54) **VEHICLE DEPLOYABLE STAIRS**
- (71) Applicant: **Ford Global Technologies, LLC**,  
Dearborn, MI (US)
- (72) Inventors: **David Woodhouse**, Troy, MI (US);  
**Earl C. Lucas**, Southfield, MI (US);  
**Jaewoo Chang**, Novi, MI (US)
- (73) Assignee: **Ford Global Technologies, LLC**,  
Dearborn, MI (US)
- (\*\*) Term: **15 Years**
- (21) Appl. No.: **29/558,974**
- (22) Filed: **Mar. 23, 2016**
- (51) **LOC (11) Cl.** ..... **12-16**
- (52) **U.S. Cl.**  
USPC ..... **D12/203**
- (58) **Field of Classification Search**  
USPC ..... D12/203, 89, 314; D25/62, 63, 65, 69  
CPC .. B60R 3/00; B60R 3/02; B60R 3/002; B60R  
3/005; B60R 3/007  
See application file for complete search history.

(56) **References Cited**

**U.S. PATENT DOCUMENTS**

|           |     |        |         |       |                      |
|-----------|-----|--------|---------|-------|----------------------|
| 4,108,457 | A * | 8/1978 | Garrett | ..... | B60R 3/02<br>105/447 |
| D381,948  | S * | 8/1997 | Schult  | ..... | D12/203              |
| 5,941,342 | A * | 8/1999 | Lee     | ..... | B60R 3/02<br>182/127 |
| 5,957,237 | A * | 9/1999 | Tigner  | ..... | B60R 3/02<br>182/127 |
| D448,335  | S * | 9/2001 | Ehnes   | ..... | D12/203              |
| D520,429  | S * | 5/2006 | Woodard | ..... | D12/203              |
| D593,472  | S * | 6/2009 | Coletti | ..... | D12/203              |
| D607,395  | S * | 1/2010 | Beigel  | ..... | D12/203              |

(Continued)

*Primary Examiner* — George D Kirschbaum  
*Assistant Examiner* — Clese Moore, Jr.  
(74) *Attorney, Agent, or Firm* — James Dottavio

(57) **CLAIM**

The ornamental design for a vehicle deployable stairs, as shown and described.

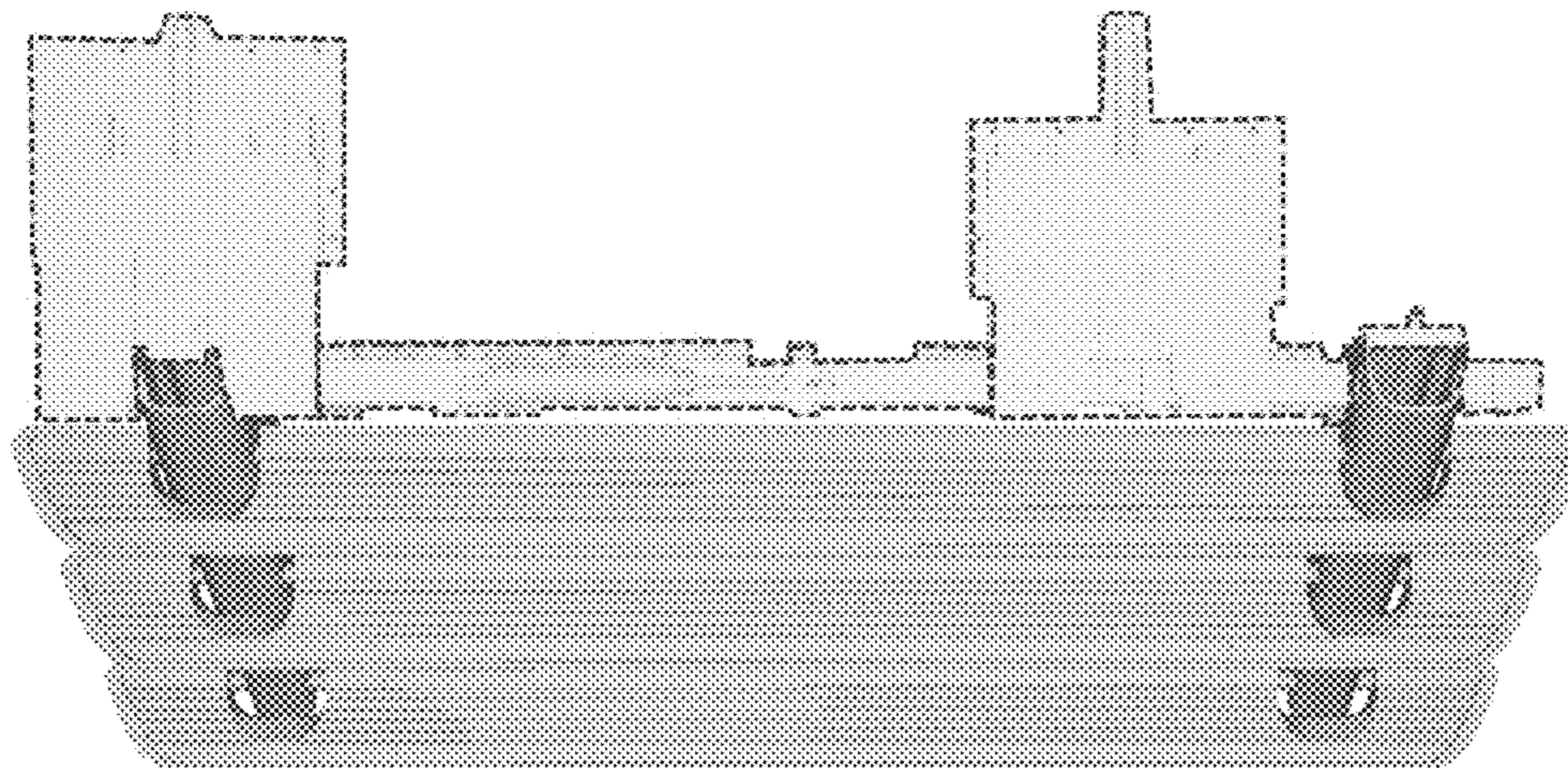
**DESCRIPTION**

The patent or application file contains at least one drawing executed in color. Copies of this patent or patent application publication with color drawing(s) will be provided by the Office upon request and payment of the necessary fee.

FIG. 1 is a top plan view of the vehicle deployable stairs in the deployed position, showing our new design;  
FIG. 2 is a front view thereof;  
FIG. 3 is a right side view thereof;  
FIG. 4 is a left side view thereof;  
FIG. 5 is a rear view thereof;  
FIG. 6 is a top left perspective view thereof;  
FIG. 7 is a left side perspective view thereof;  
FIG. 8 is a right side perspective view thereof;  
FIG. 9 is a left side perspective view in the retracted position thereof;  
FIG. 10 is a right side perspective view in the retracted position thereof;  
FIG. 11 is a left side front perspective view thereof, the area enclosed in broken line is claimed, the area outside the broken line and shown in highlight is the vehicle deployable stairs attached to a vehicle, the vehicle is not claimed; and, FIG. 12 is a top front perspective view thereof, the area enclosed in broken line is claimed, the area outside the broken line and shown in highlight is the vehicle deployable stairs attached to a vehicle, the vehicle is not claimed.

In the drawings, the broken lines in the figures depict portions of the article that form no part of the claimed design.

**1 Claim, 12 Drawing Sheets**  
**(12 of 12 Drawing Sheet(s) Filed in Color)**



(56)

**References Cited**

U.S. PATENT DOCUMENTS

D644,742 S \* 9/2011 Rivera, Jr. .... D25/62  
D652,776 S \* 1/2012 Agoncillo ..... D12/203  
8,251,178 B2 \* 8/2012 Krobot ..... B60R 3/02  
182/127  
D713,310 S \* 9/2014 Stringfellow ..... D12/203  
D713,772 S \* 9/2014 Ziaylek ..... D12/203  
9,487,148 B2 \* 11/2016 Kichline, Jr. .... B60R 3/02  
2003/0070875 A1 \* 4/2003 Medsker ..... B60R 3/02  
182/91  
2008/0157500 A1 \* 7/2008 Raley ..... B60R 3/02  
280/166  
2009/0189365 A1 \* 7/2009 Ferguson ..... B60R 3/02  
280/166  
2009/0243249 A1 \* 10/2009 Arvanites ..... B60R 3/007  
280/166  
2013/0154230 A1 \* 6/2013 Ziaylek ..... B60R 3/02  
280/166  
2014/0123910 A1 \* 5/2014 Rorke ..... A01K 1/035  
119/849  
2015/0097353 A1 \* 4/2015 Rasmussen ..... B60R 3/02  
280/166

\* cited by examiner

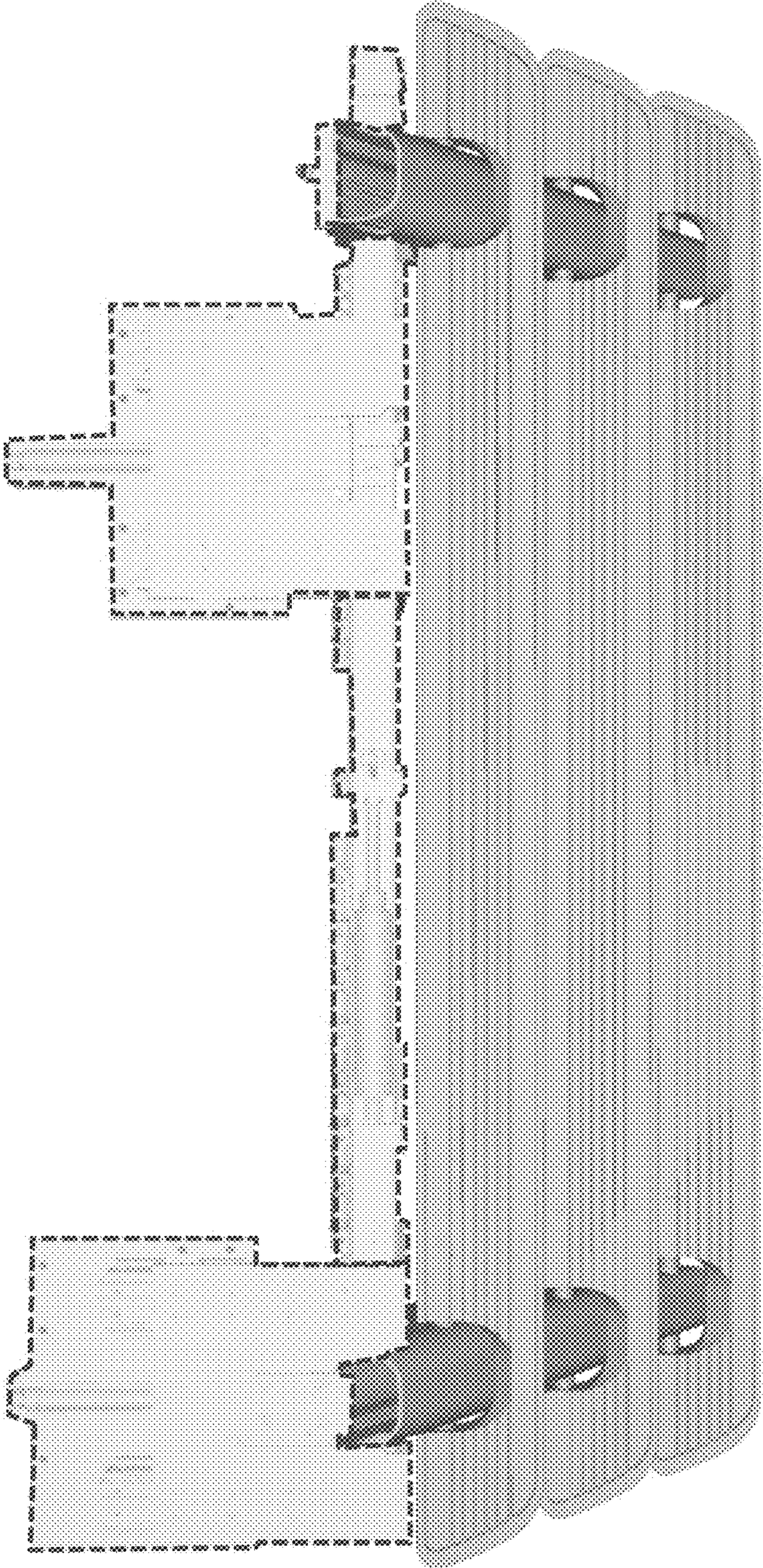


Figure 1

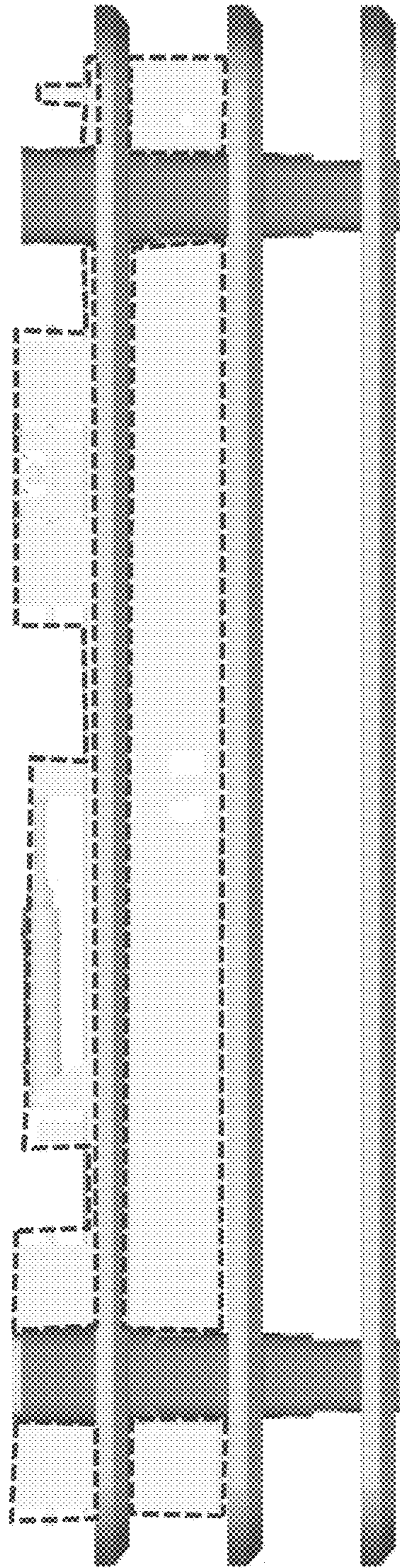


Figure 2

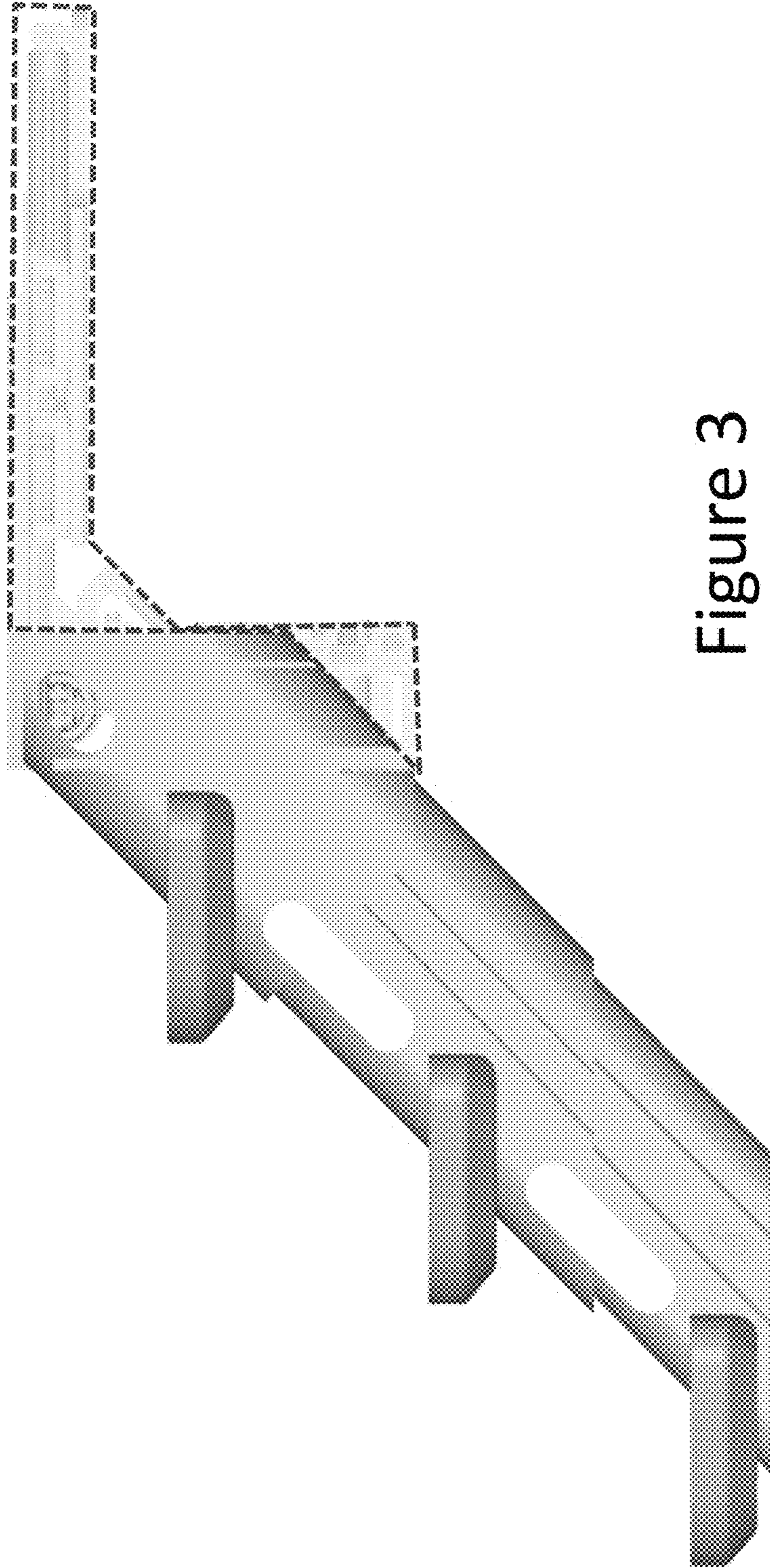


Figure 3

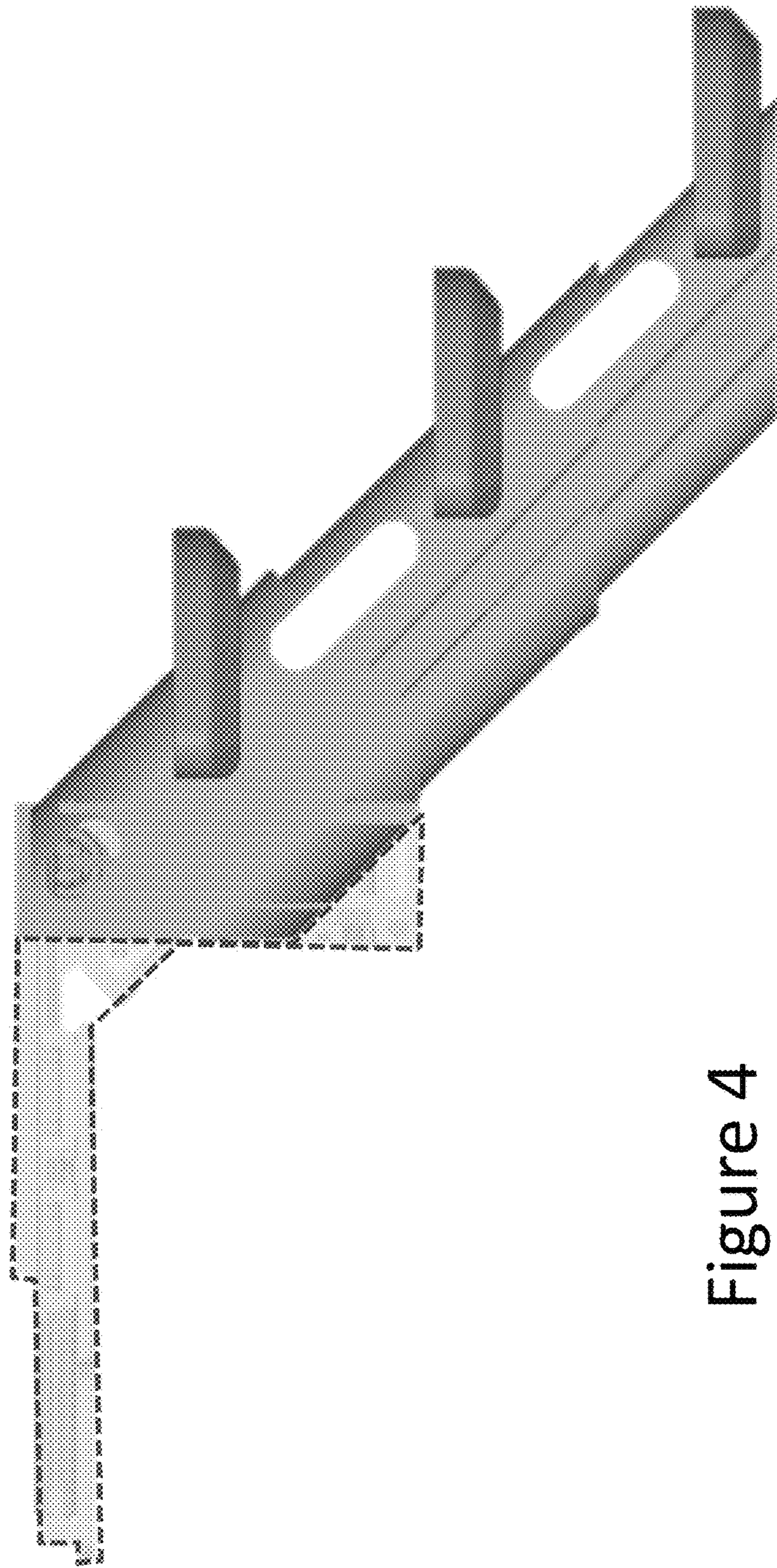


Figure 4

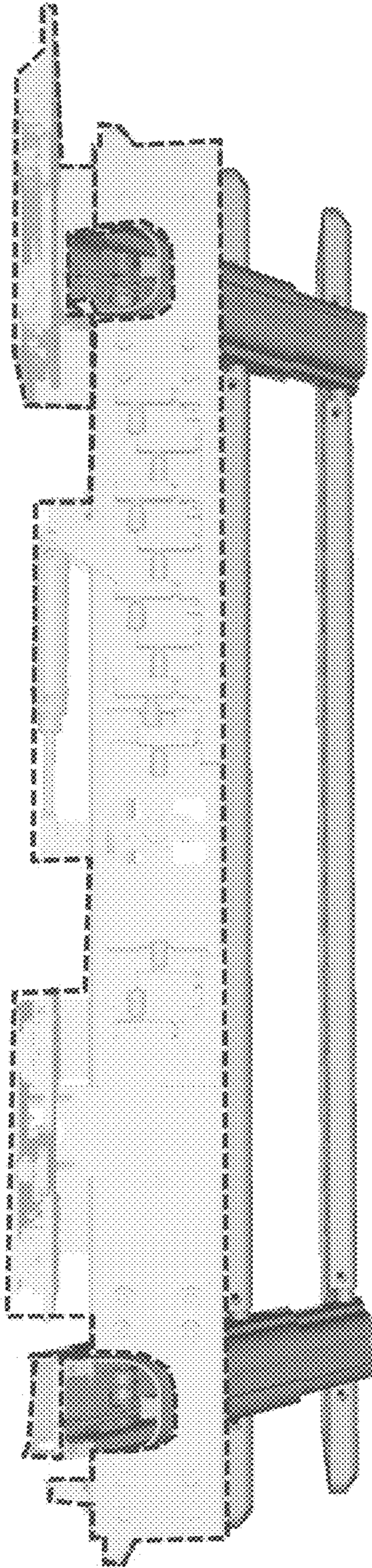


Figure 5

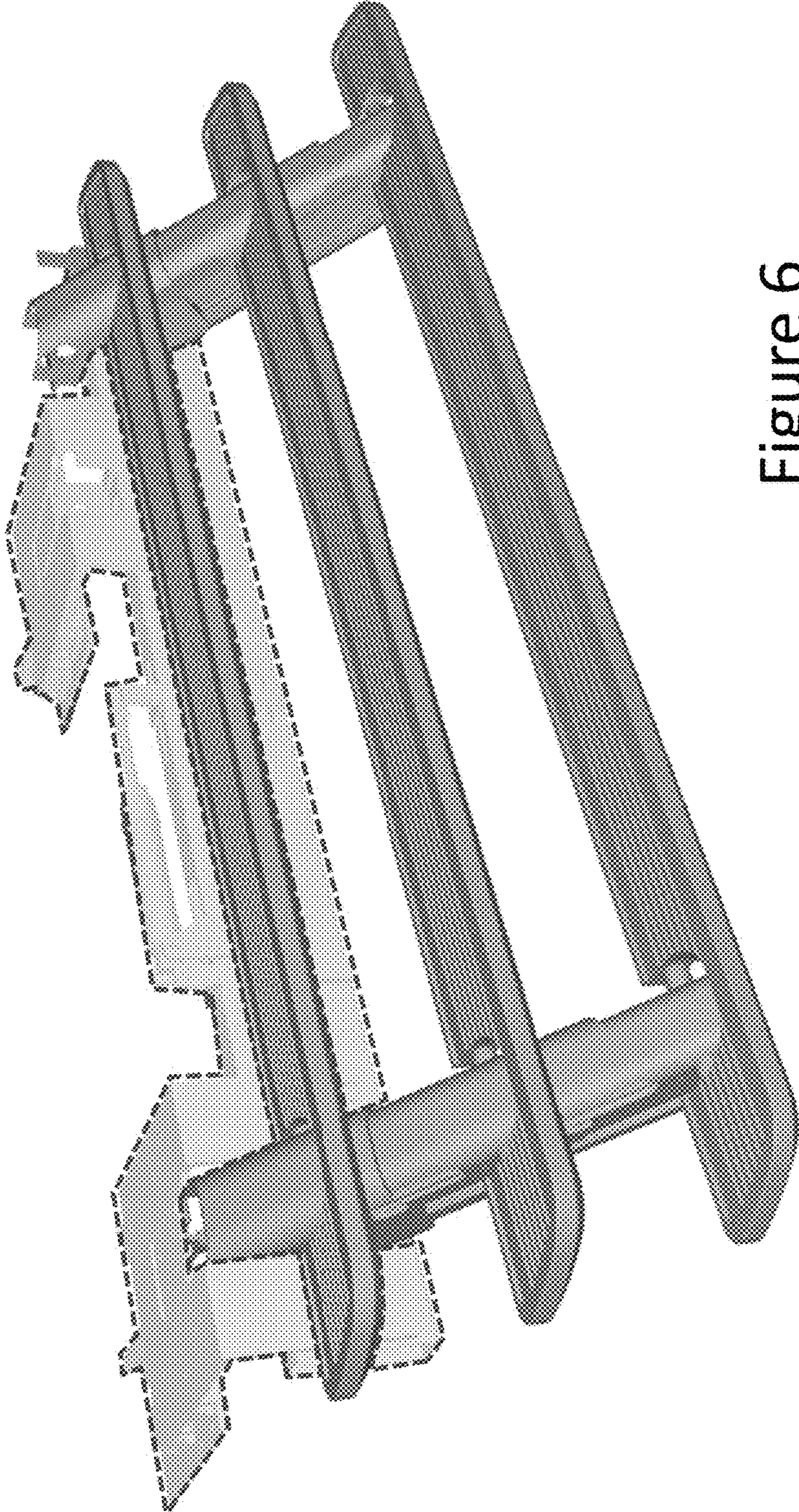


Figure 6



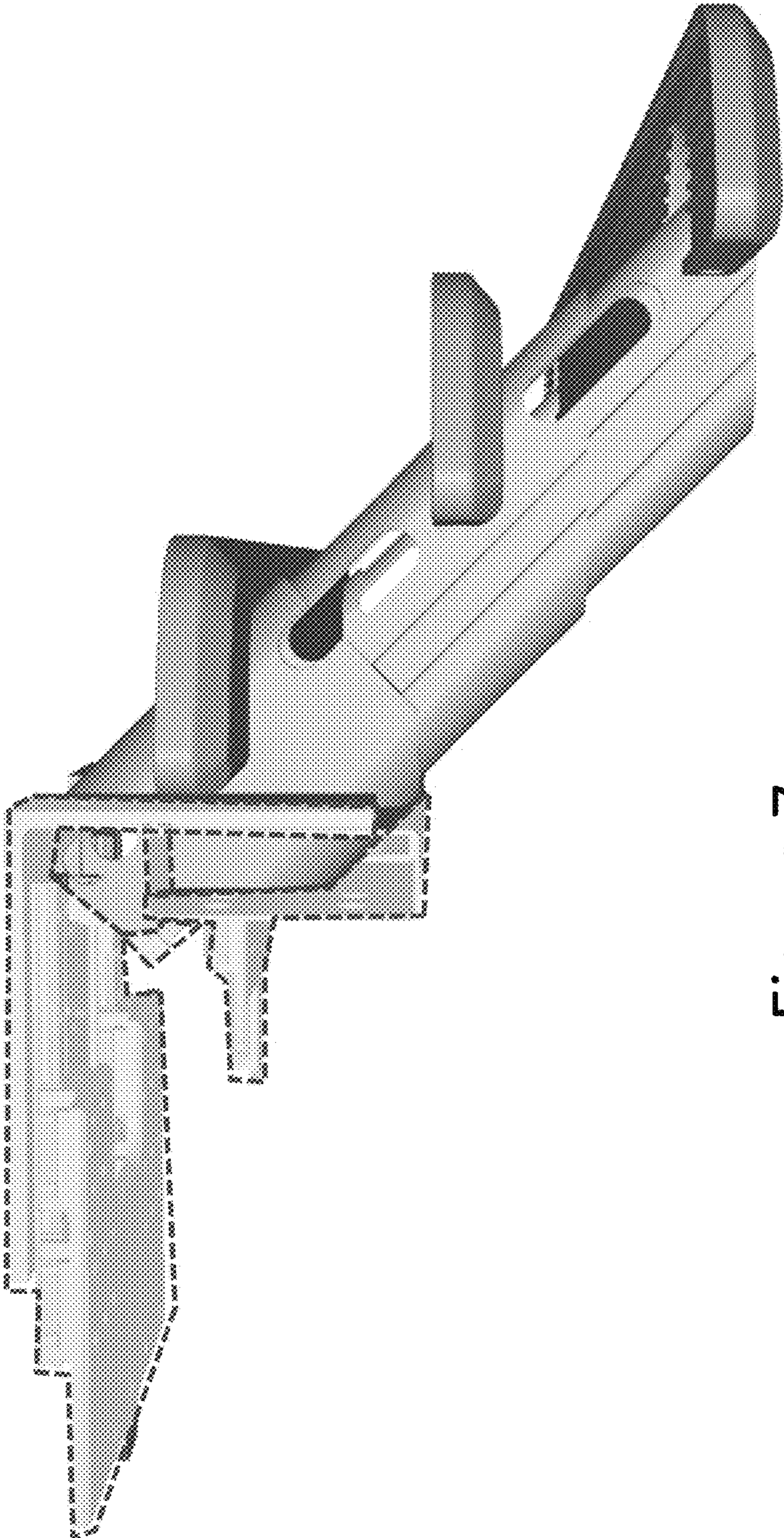


Figure 7

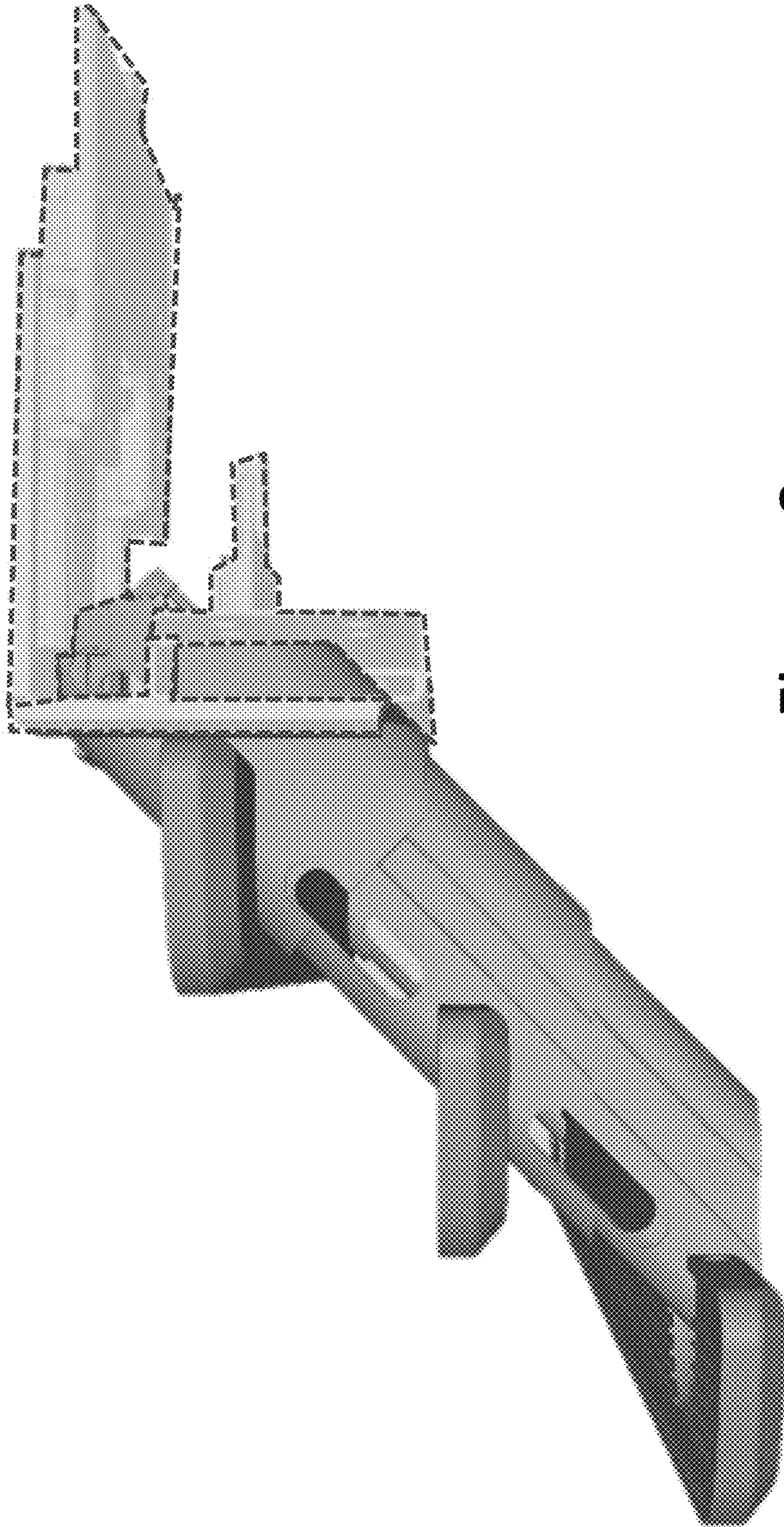


Figure 8

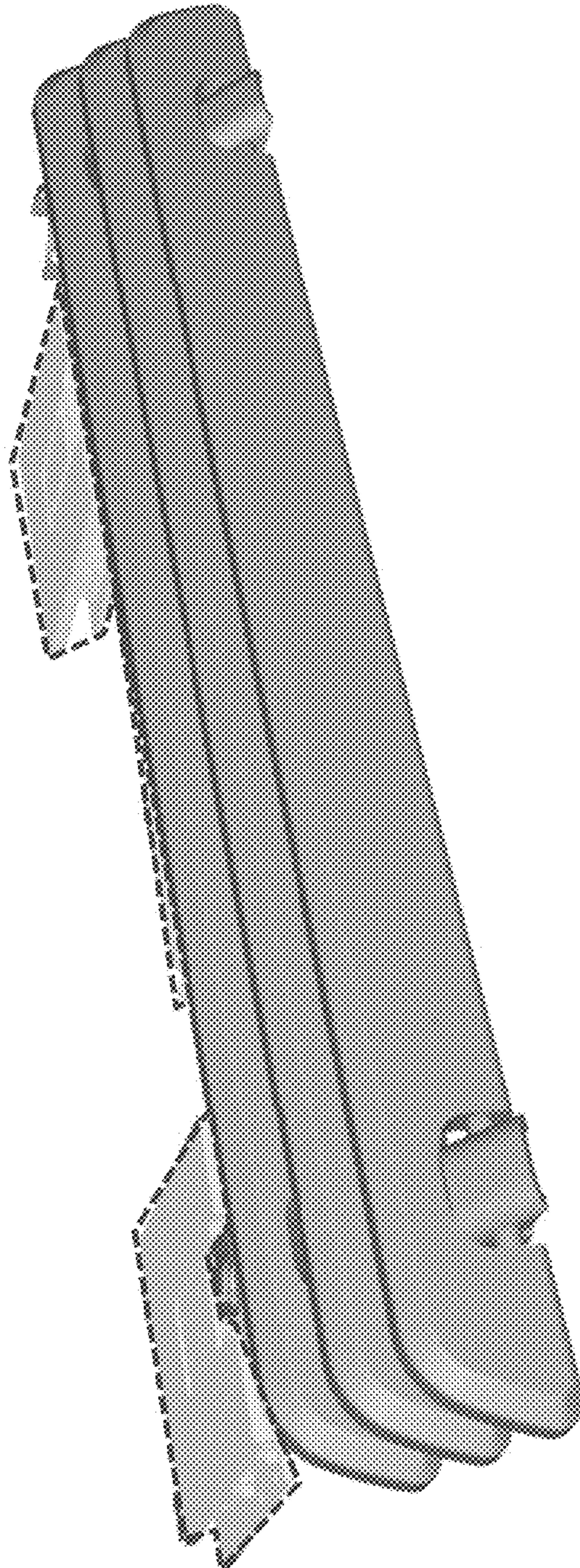


Figure 9

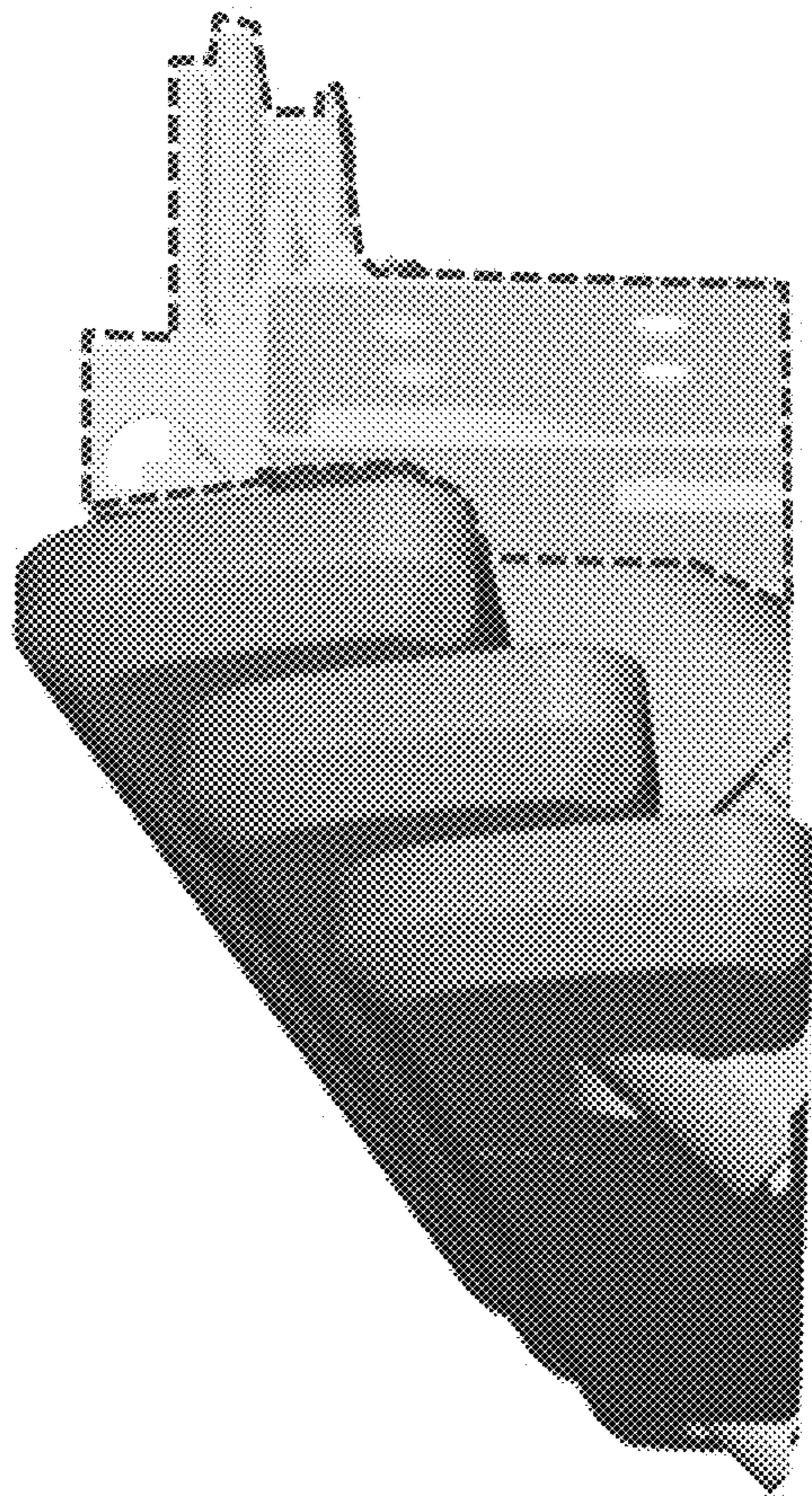


Figure 10

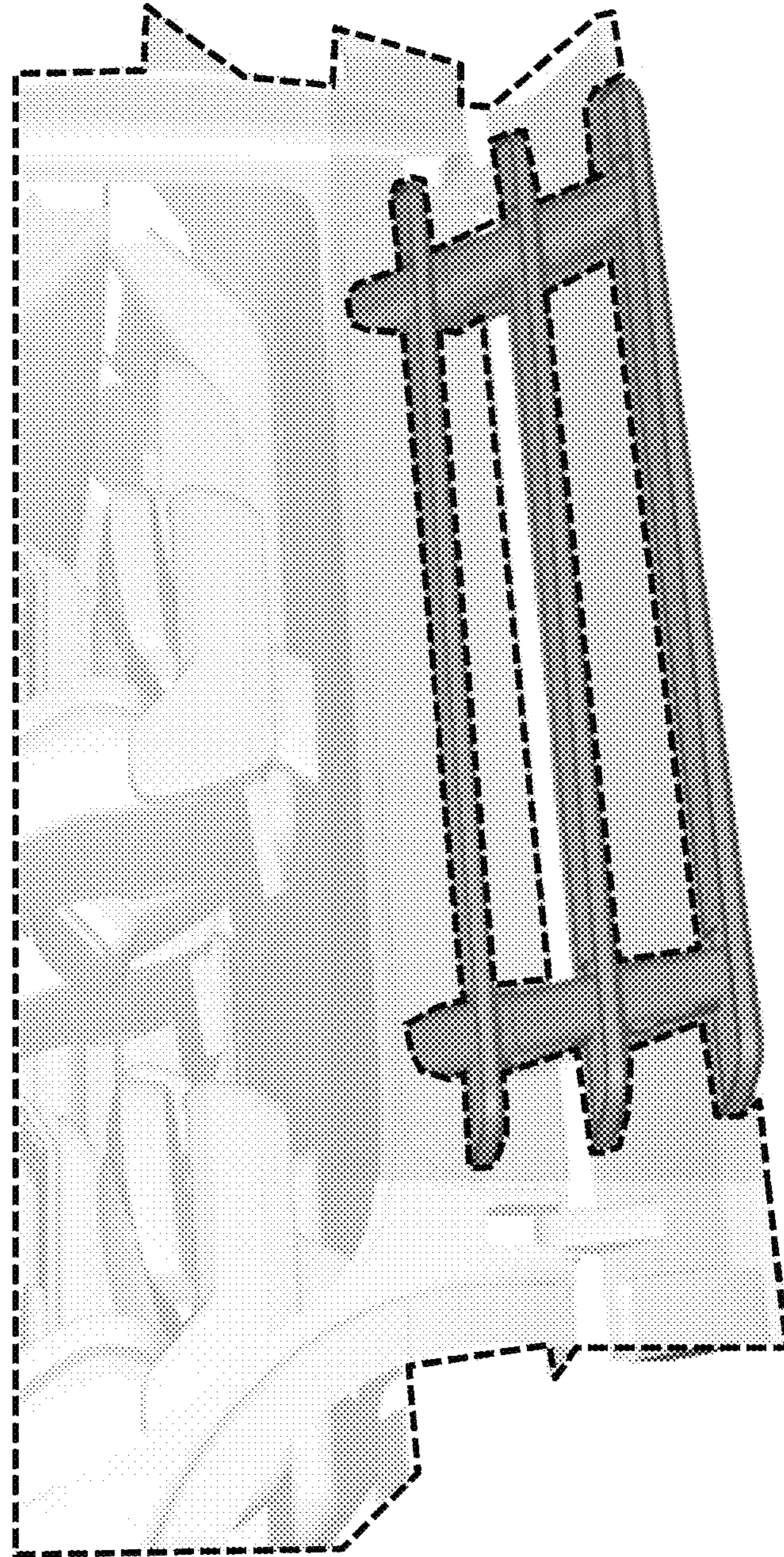


Figure 11

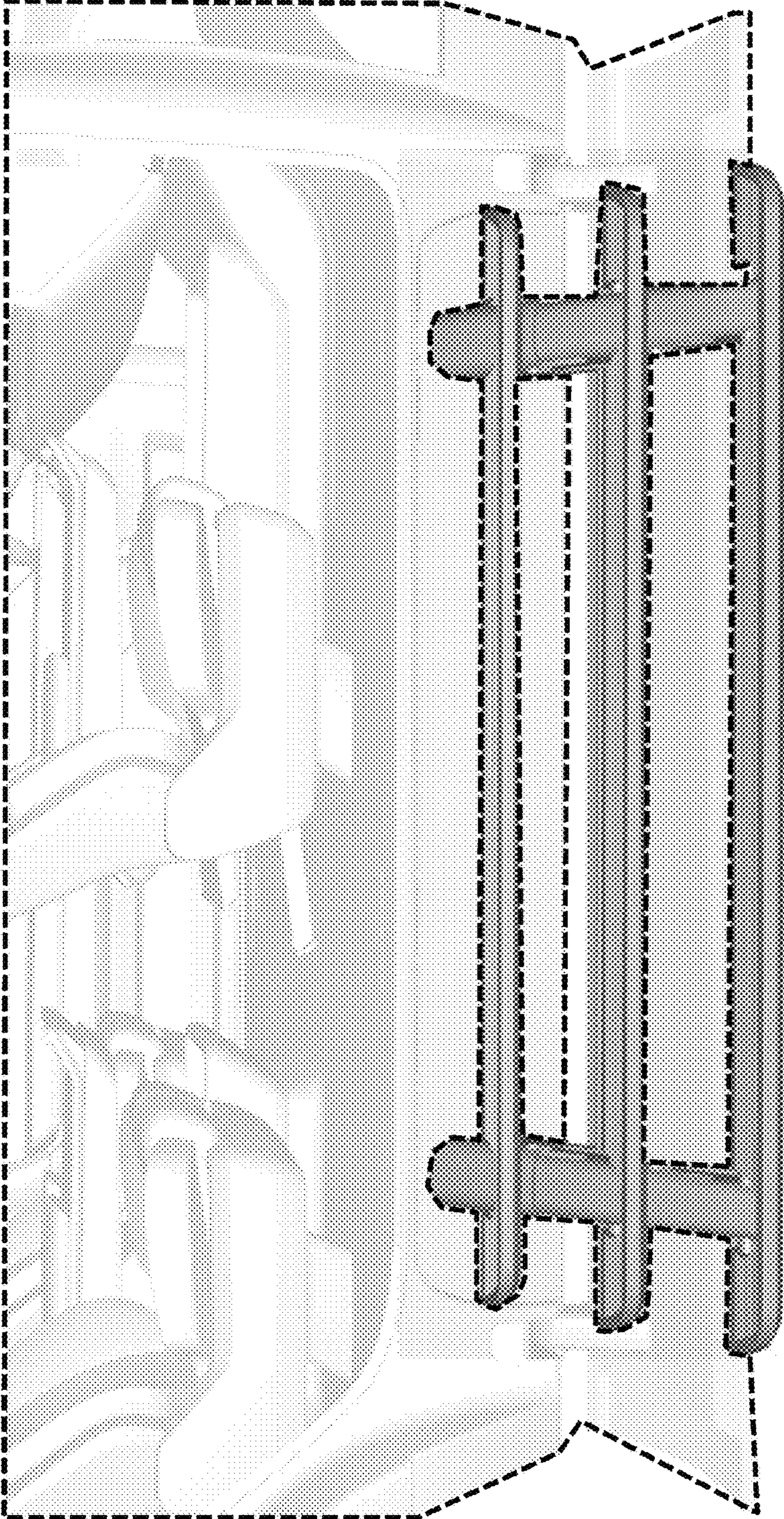


Figure 12