

US00D828262S

(12) **United States Design Patent** (10) **Patent No.:** **US D828,262 S**
Yates (45) **Date of Patent:** **** Sep. 11, 2018**

(54) **SKID PLATE**
(71) Applicant: **Volvo Lastvagnar AB**, Göteborg (SE)
(72) Inventor: **Lukas Yates**, Greensboro, NC (US)
(73) Assignee: **Volvo Lastvagnar AB**, Gothenburg (SE)
(**) Term: **15 Years**
(21) Appl. No.: **29/593,289**
(22) Filed: **Feb. 8, 2017**
(51) **LOC (11) Cl.** **12-16**
(52) **U.S. Cl.**
USPC **D12/196**
(58) **Field of Classification Search**
USPC D12/86, 90, 91, 92, 163, 169, 171, 196, D12/216
CPC B60R 19/02; B60R 19/04; B62D 25/00; B62D 25/06; B62D 25/08; B62D 35/00; A45C 13/08; A45F 5/10
See application file for complete search history.

D771,536 S * 11/2016 Wolff D12/169
D775,038 S * 12/2016 Frascella D12/169
D776,021 S * 1/2017 Kapitonov D12/169
D781,586 S * 3/2017 Reinhart D3/318
D781,587 S * 3/2017 Mangano D3/318
D793,294 S * 8/2017 Lee D12/169
D793,295 S * 8/2017 McCabe D12/169
D797,456 S * 9/2017 Chen D3/318
D797,616 S * 9/2017 Lee D12/169
D798,201 S * 9/2017 Zavatski D12/169
D800,621 S * 10/2017 Bucher D12/196
D801,236 S * 10/2017 Kozub D12/169
D803,738 S * 11/2017 Granlund D12/169
D807,255 S * 1/2018 Piscitelli D12/169

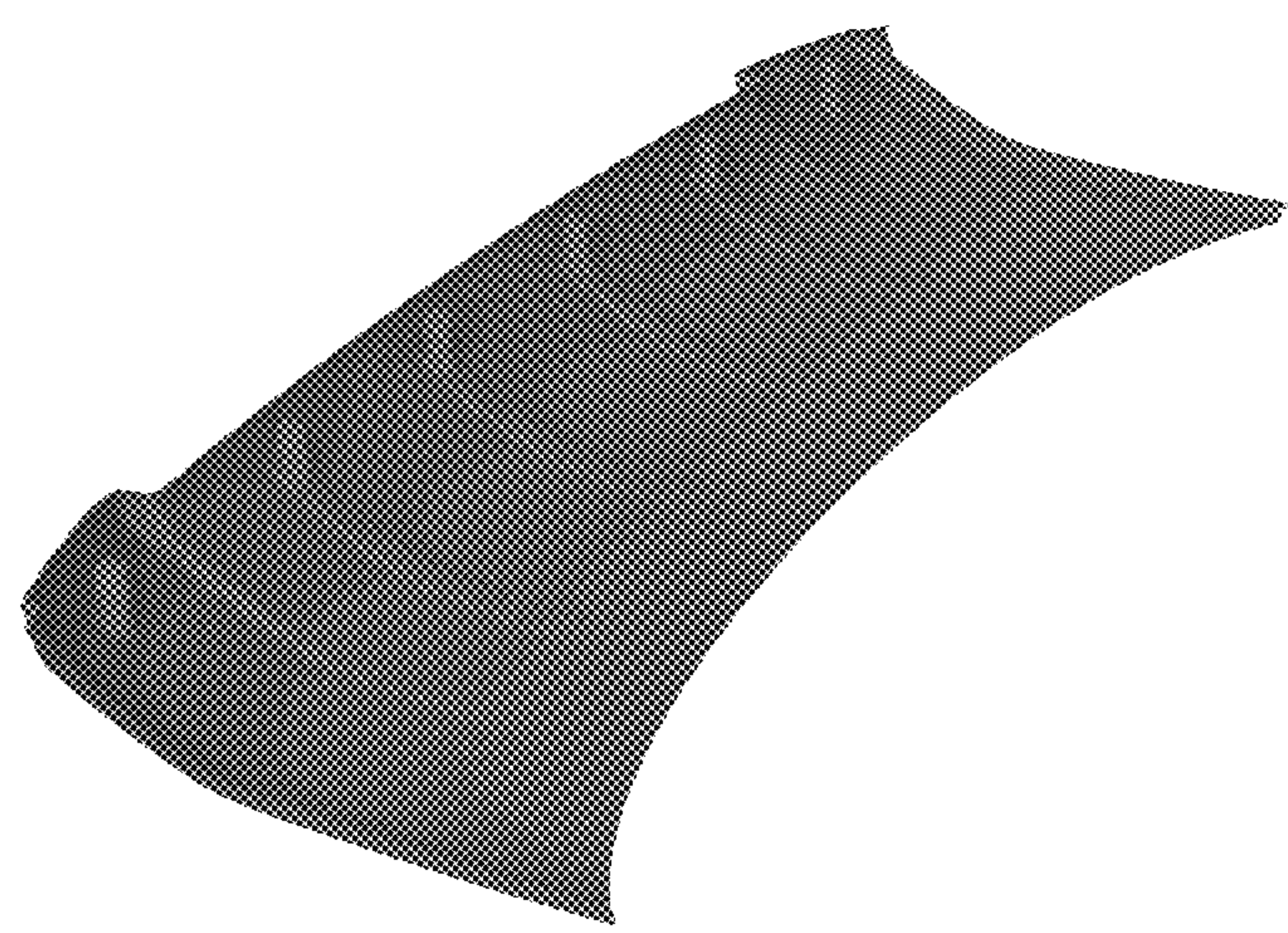
(56) **References Cited**
U.S. PATENT DOCUMENTS
D698,708 S * 2/2014 Rugar D12/169
D701,800 S * 4/2014 Campbell D12/169
D711,653 S * 8/2014 Pacetti D3/318
D712,322 S * 9/2014 Kobayashi D12/169
D712,805 S * 9/2014 Murkett D12/169
D742,119 S * 11/2015 Batista D3/318
D744,915 S * 12/2015 Curic D12/169
D751,003 S * 3/2016 Rugar D12/163
D751,007 S * 3/2016 Curic D12/169
D753,036 S * 4/2016 Curic D12/169
D758,259 S * 6/2016 Messale D12/169
D762,147 S * 7/2016 Messale D12/169
D763,143 S * 8/2016 Varga D12/169
D763,744 S * 8/2016 Behmer D12/169

OTHER PUBLICATIONS
Images of Mack CXU Pinnacle Truck, released 2006, 2 pages.
* cited by examiner
Primary Examiner — Susan Bennett Hattan
Assistant Examiner — Suzanne E Tisdell
(74) *Attorney, Agent, or Firm* — Tucker Ellis LLP

(57) **CLAIM**
The ornamental design for a skid plate, as shown and described.

DESCRIPTION
FIG. 1 is a front-left-top perspective view of a skid plate showing my new design.
FIG. 2 is a rear-right-top perspective view thereof.
FIG. 3 is a front view thereof.
FIG. 4 is a rear view thereof.
FIG. 5 is a right side view thereof.
FIG. 6 is a left side view thereof.
FIG. 7 is a top view thereof; and,
FIG. 8 is a bottom view thereof.

1 Claim, 4 Drawing Sheets



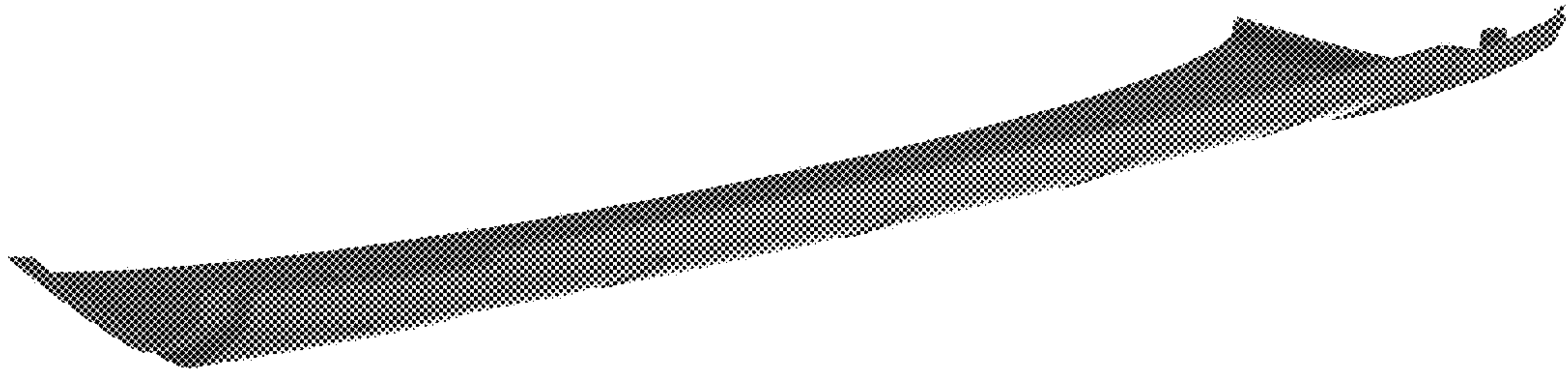


FIG. 1

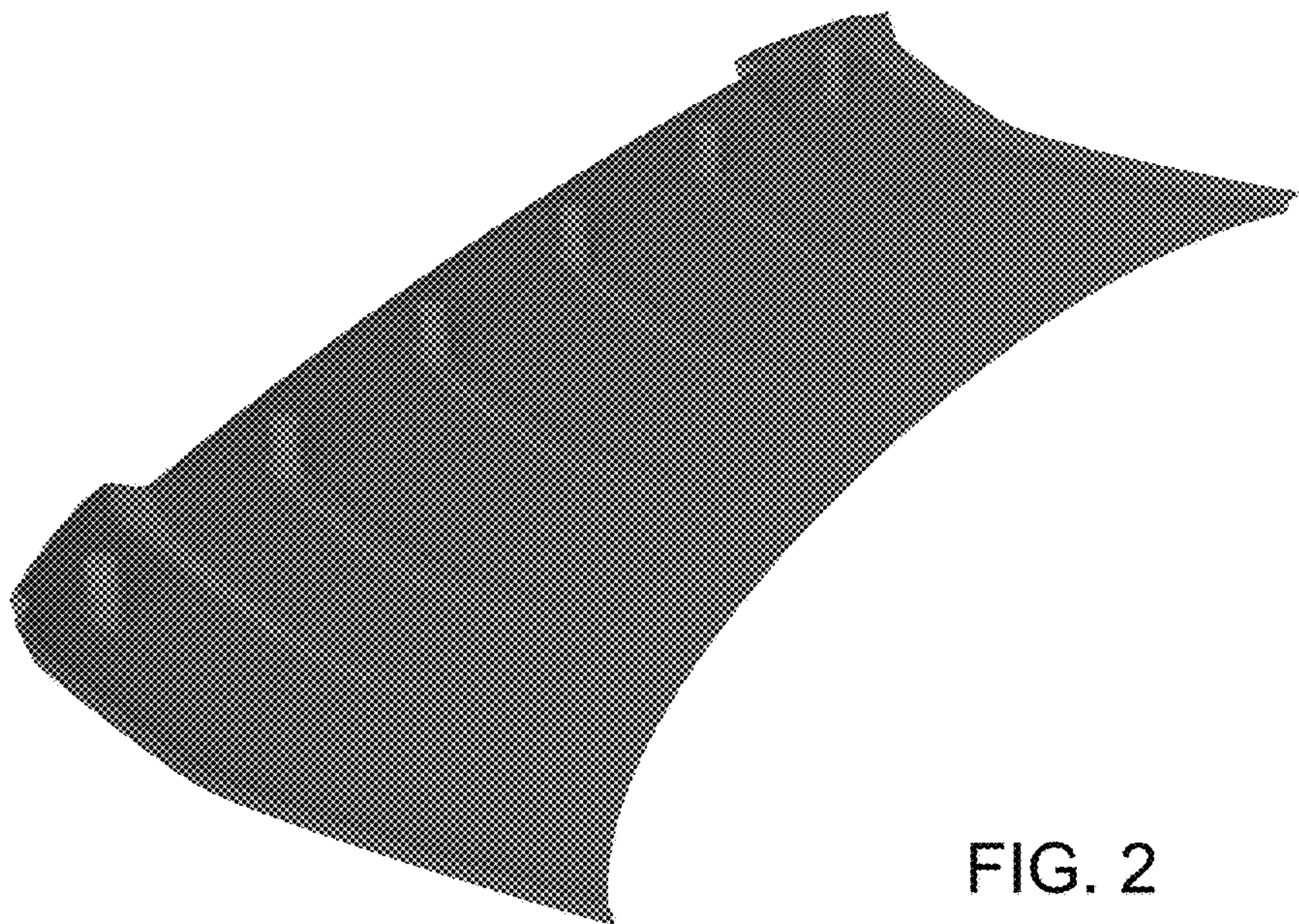


FIG. 2

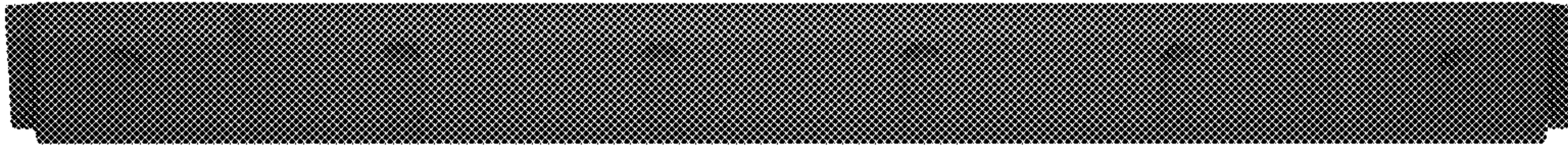
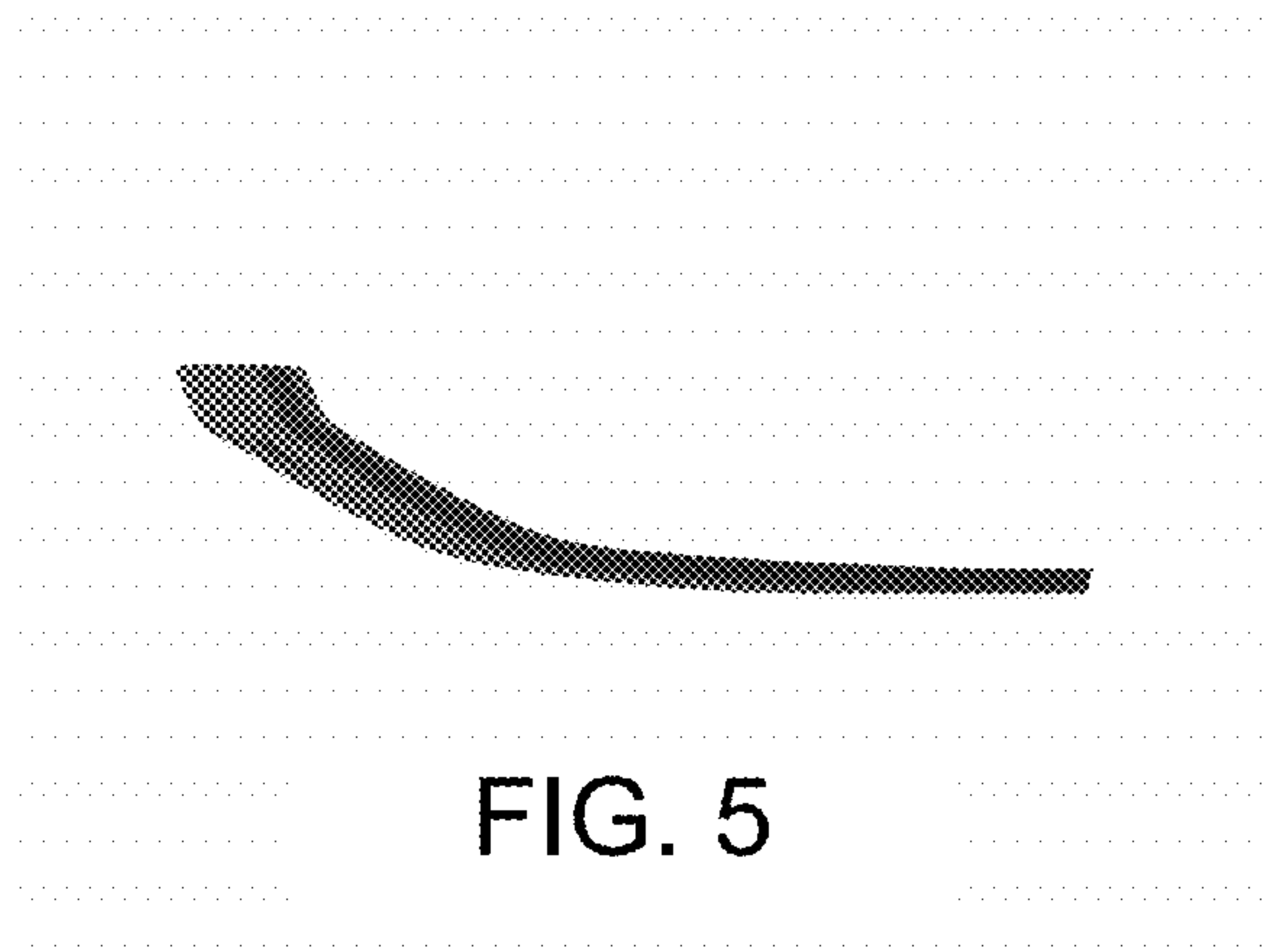


FIG. 3



FIG. 4



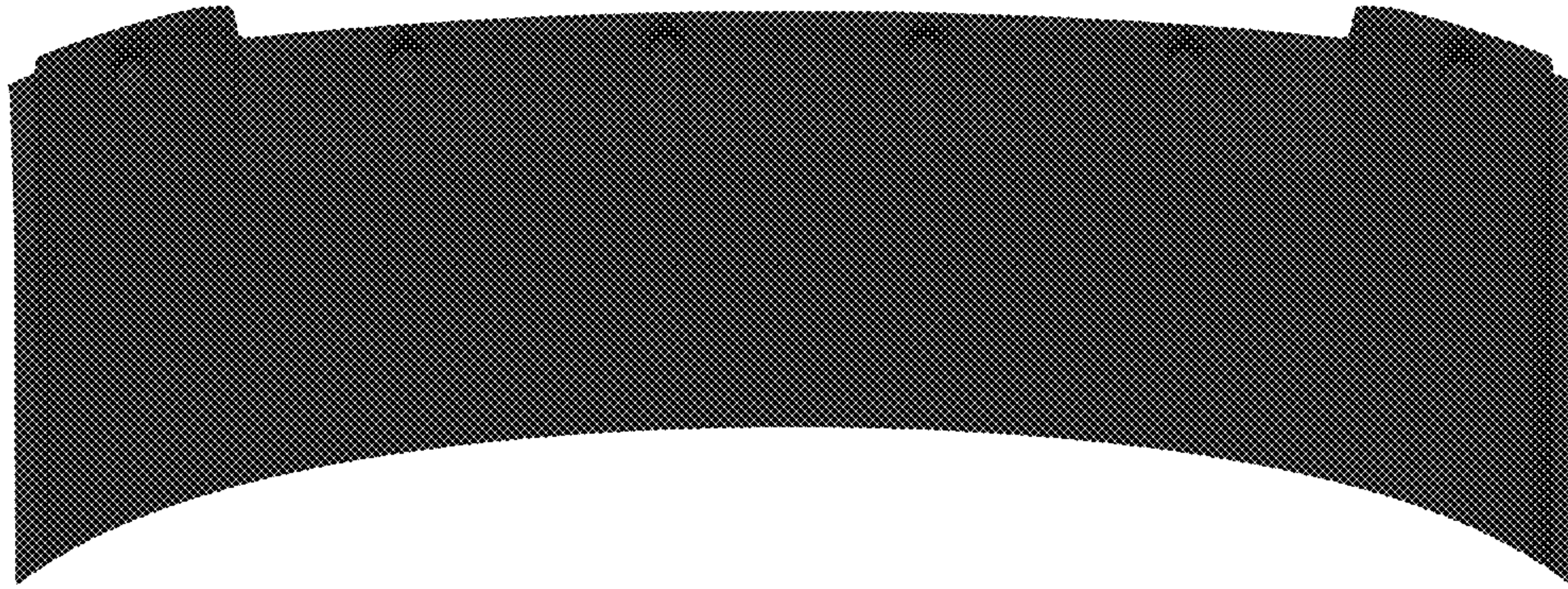


FIG. 7

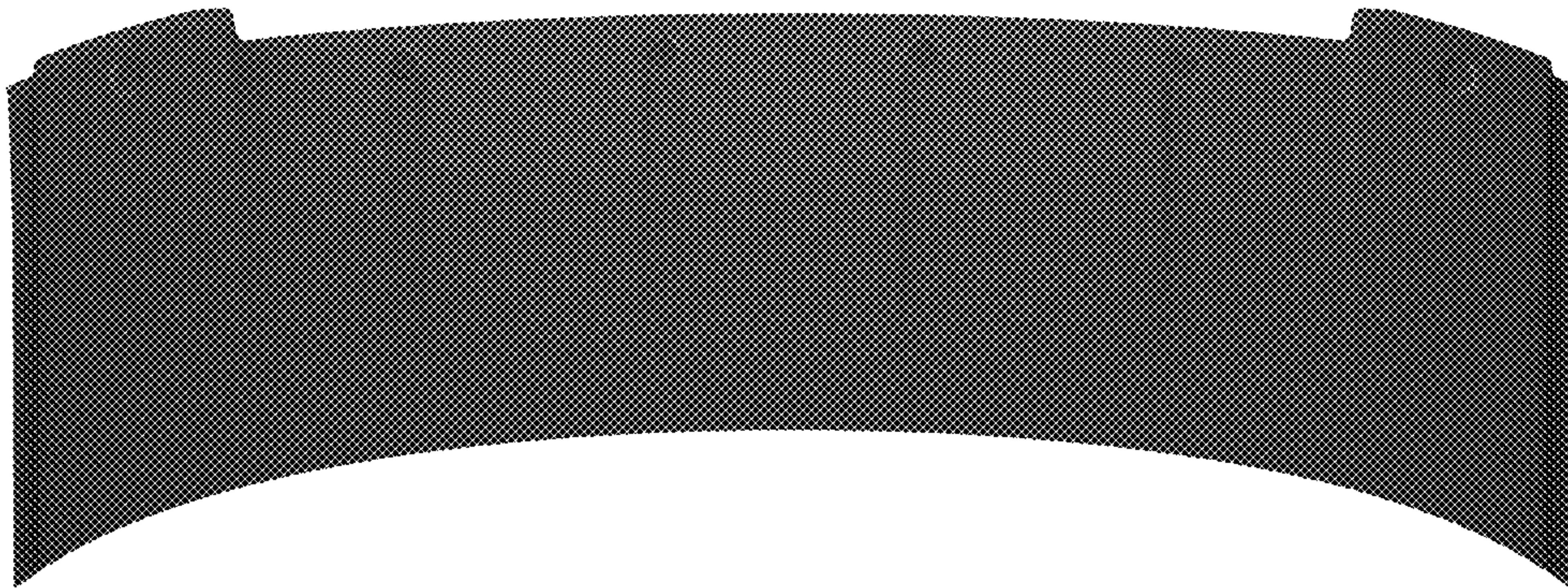


FIG. 8