



US00D828260S

(12) **United States Design Patent**
Takagi

(10) **Patent No.:** **US D828,260 S**

(45) **Date of Patent:** **** Sep. 11, 2018**

(54) **INSTRUMENT PANEL FOR AN
AUTOMOBILE**
(71) Applicant: **Subaru Corporation**, Tokyo (JP)
(72) Inventor: **Souta Takagi**, Tokyo (JP)
(73) Assignee: **Subaru Corporation**, Tokyo (JP)
(**) Term: **15 Years**

(21) Appl. No.: **29/617,268**

(22) Filed: **Sep. 13, 2017**

(30) **Foreign Application Priority Data**

Mar. 13, 2017 (JP) 2017-005049

(51) **LOC (11) Cl.** **12-16**

(52) **U.S. Cl.**
USPC **D12/192**

(58) **Field of Classification Search**
USPC D12/192, 415, 418, 419, 110, 114, 345;
D15/17, 28; D10/46, 98, 102-103,
D10/122-127
CPC G08G 1/096883; G01C 21/16; G01C
21/3688; G01C 21/30
See application file for complete search history.

(56) **References Cited**

U.S. PATENT DOCUMENTS

D803,743 S * 11/2017 Igarashi D12/192
D804,380 S * 12/2017 Nakai D12/192

D806,623 S * 1/2018 Kato D12/192
D807,266 S * 1/2018 Hasegawa D12/192
D808,873 S * 1/2018 Joyce D12/192
D809,443 S * 2/2018 Walker D12/192
D810,642 S * 2/2018 Nakaya D12/192
D810,643 S * 2/2018 Takamura D12/192
D813,127 S * 3/2018 Yamamoto D12/192
D813,769 S * 3/2018 Yaguchi D12/192

* cited by examiner

Primary Examiner — Katrina A Betton

(74) *Attorney, Agent, or Firm* — Schiff Hardin LLP

(57) **CLAIM**

I claim the ornamental design for an instrument panel for an automobile thereof, as shown and described.

DESCRIPTION

FIG. 1 is a front perspective view for an “instrument panel for an automobile” showing my new design, FIG. 2 is a rear perspective view thereof, FIG. 3 is a front view thereof, FIG. 4 is a rear view thereof, FIG. 5 is a top view thereof, FIG. 6 is a bottom view thereof, FIG. 7 is a left-side view thereof; and, FIG. 8 is a right-side view thereof.

1 Claim, 8 Drawing Sheets

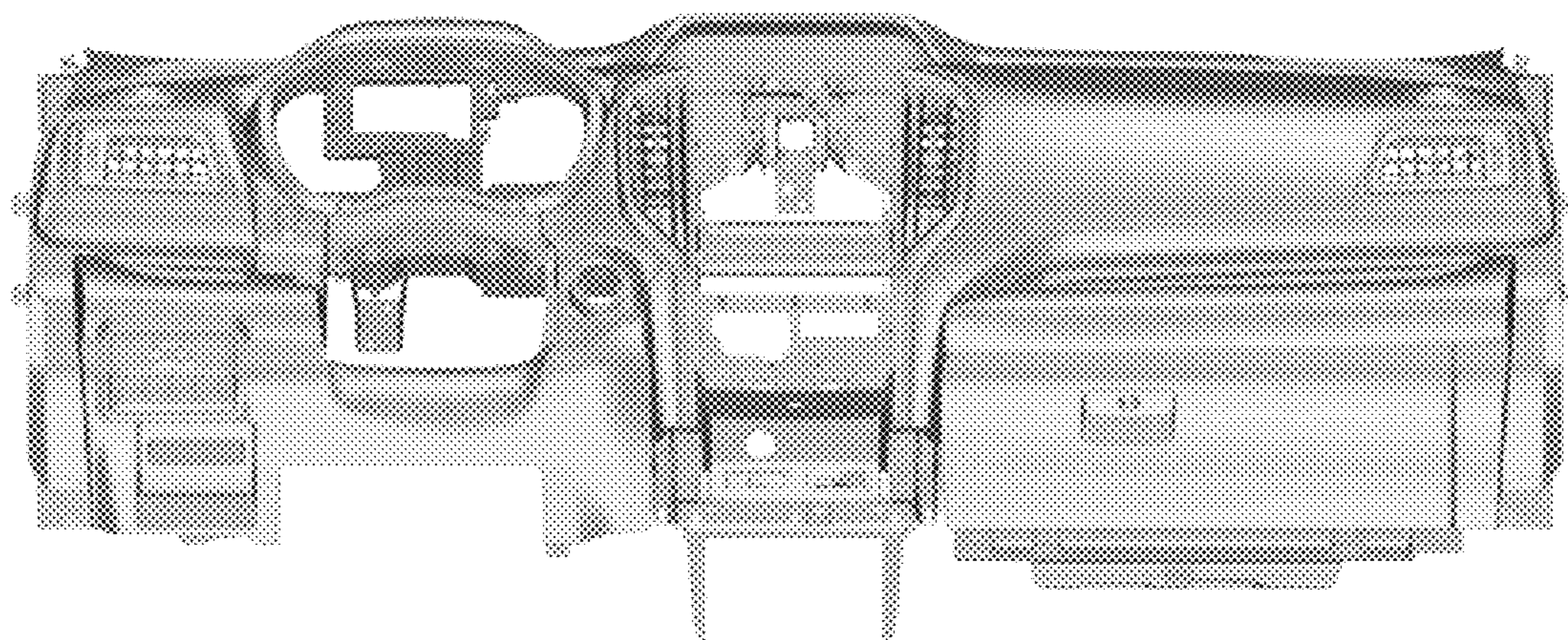


Fig. 1

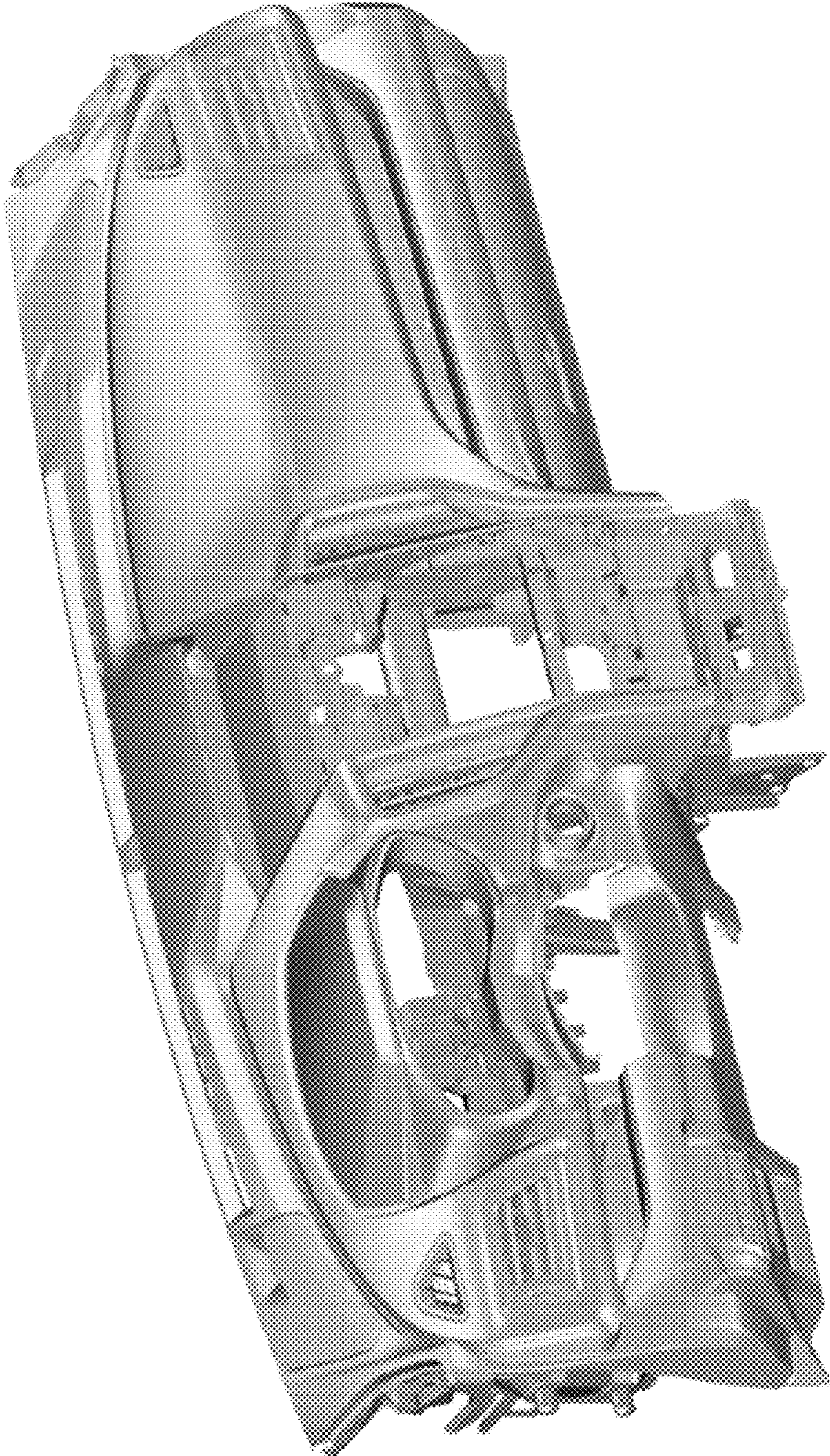


Fig. 2

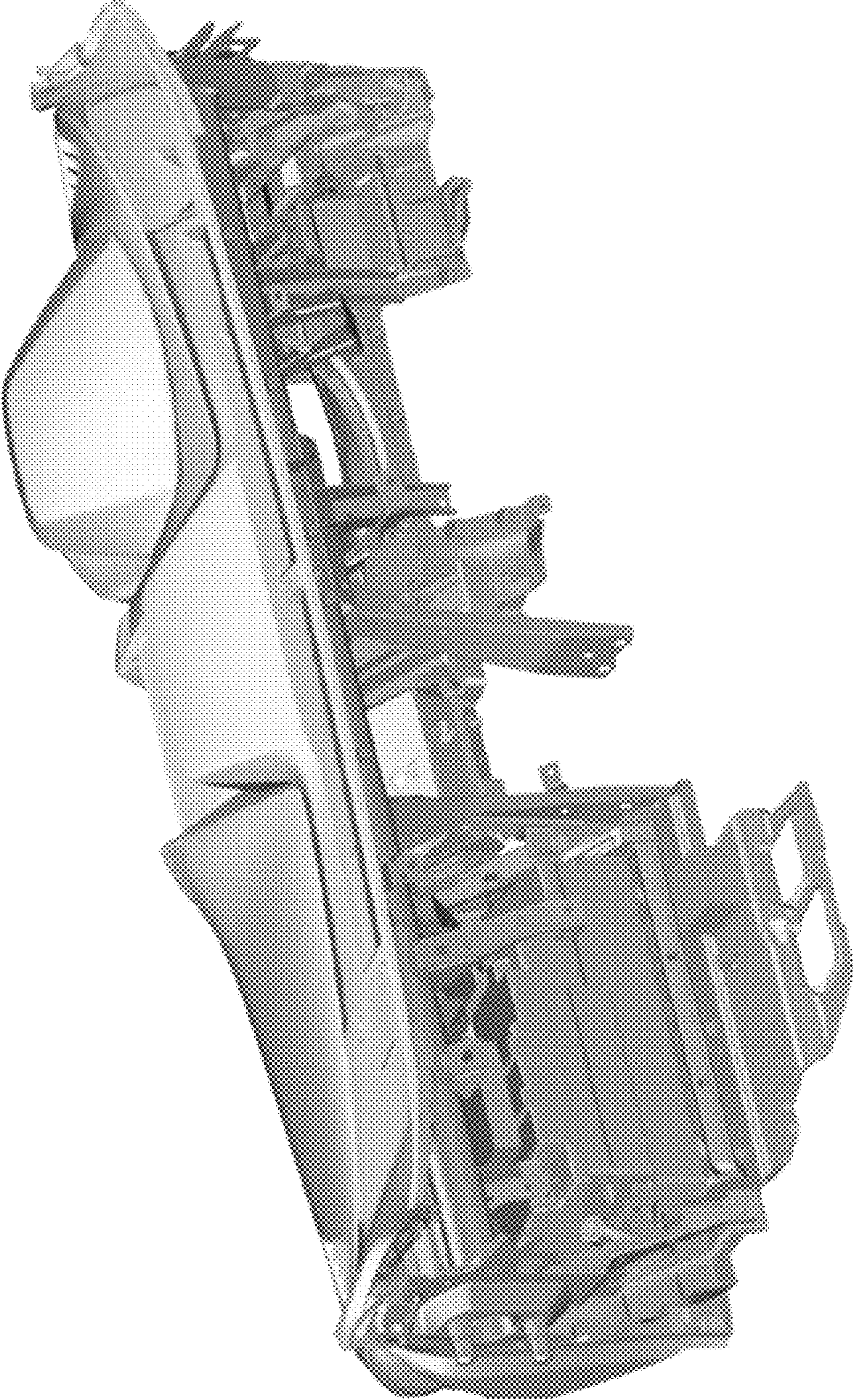


Fig. 3

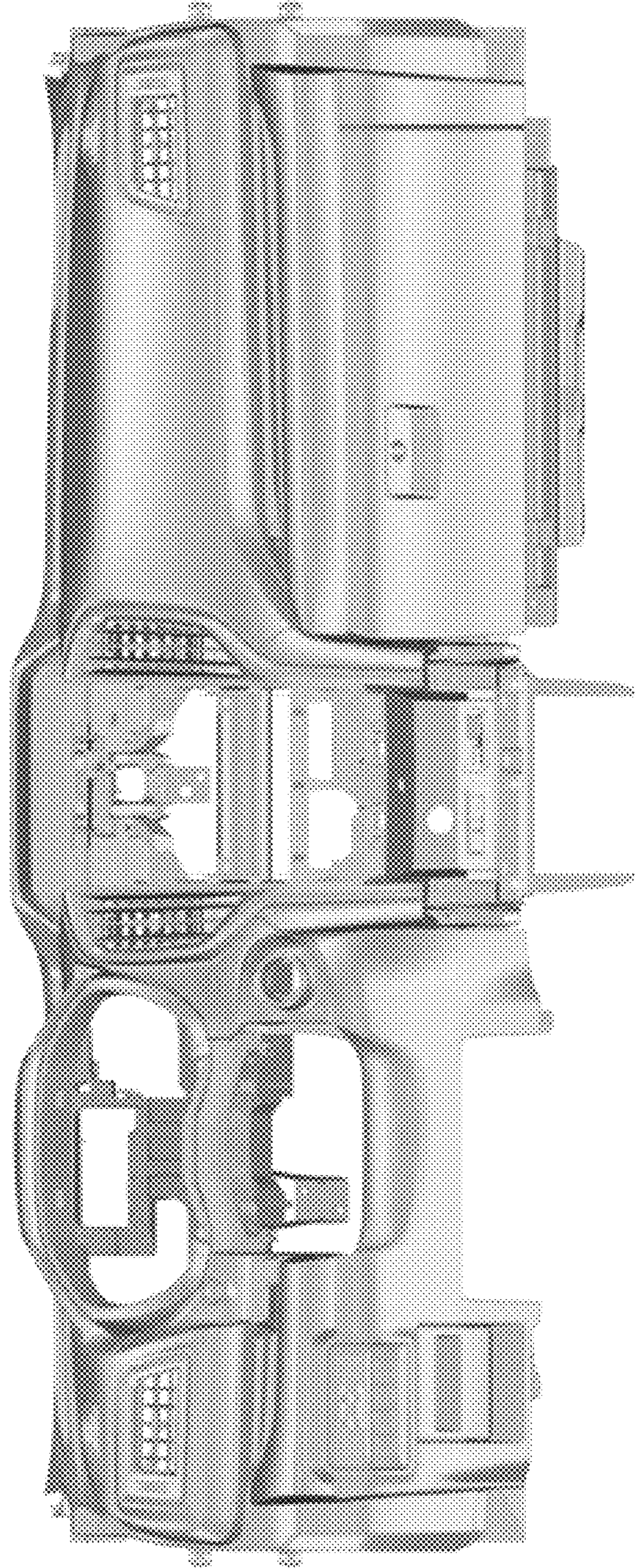


Fig. 4

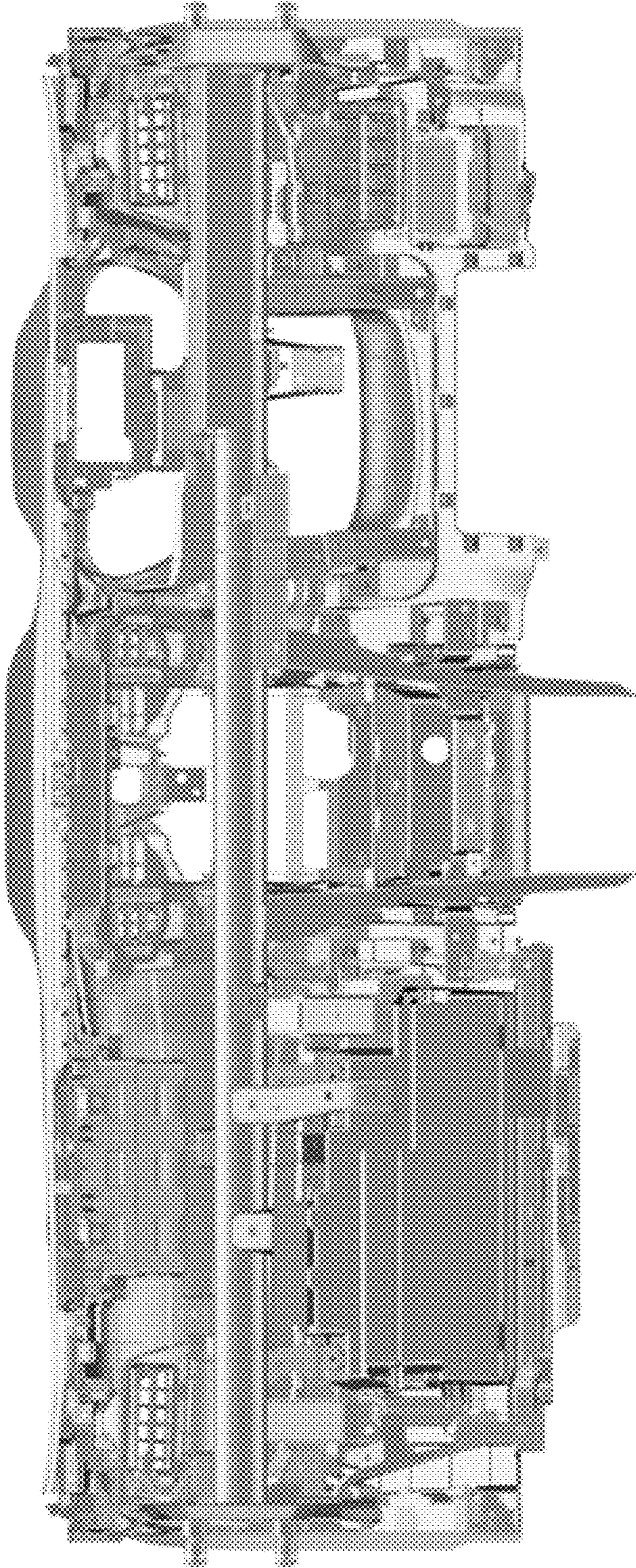


Fig. 5

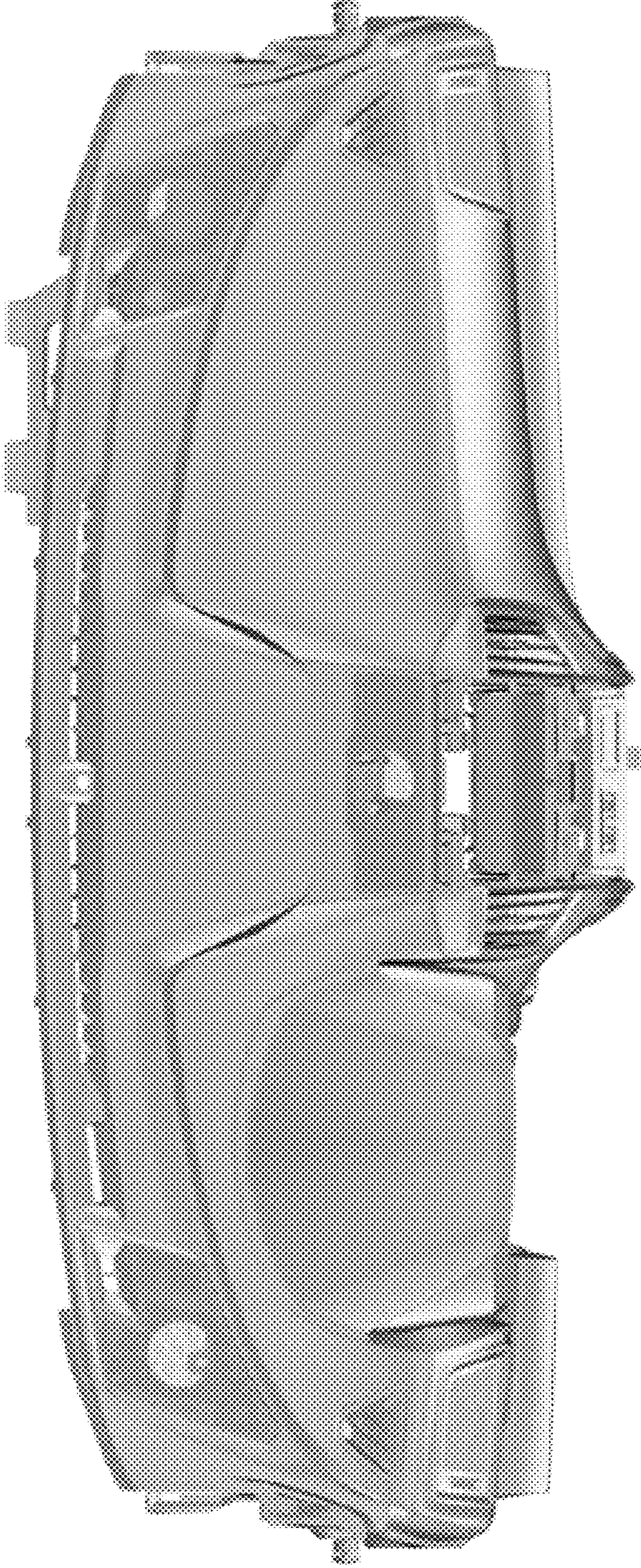


Fig. 6

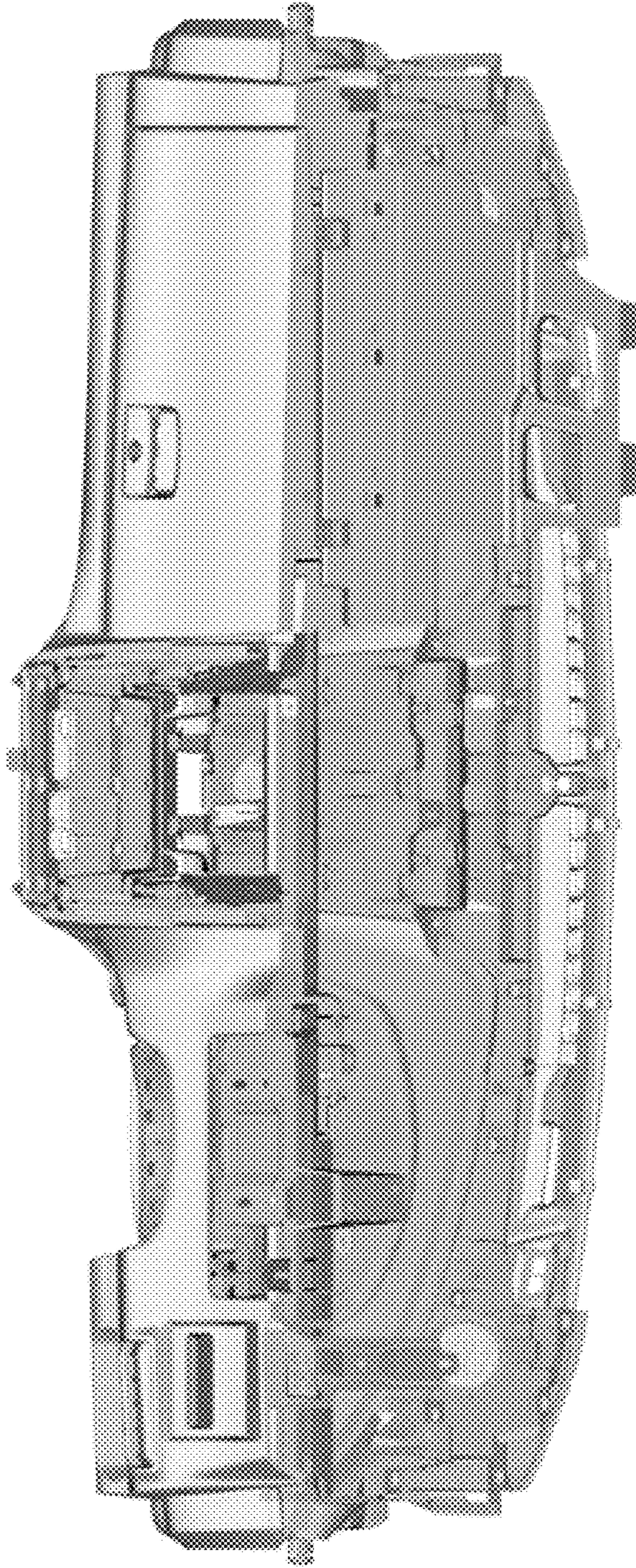


Fig. 7

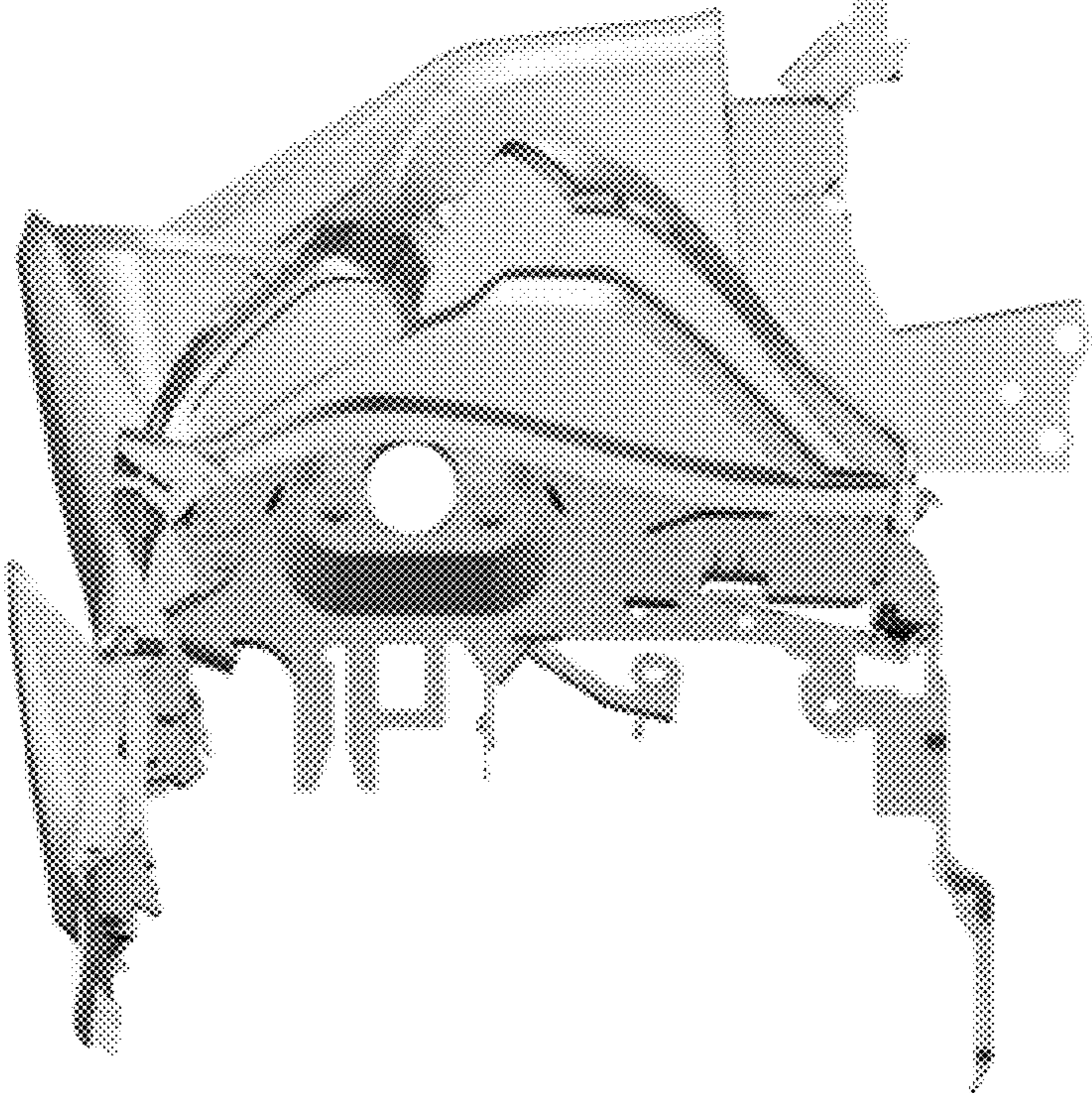


Fig. 8

