



US00D828251S

(12) **United States Design Patent** (10) **Patent No.:** **US D828,251 S**
Varga (45) **Date of Patent:** **** Sep. 11, 2018**

(54) **SPOILER FOR MOTOR VEHICLE**
(71) Applicant: **Dr. Ing. h.c. F. Porsche**
Aktiengesellschaft, Stuttgart (DE)
(72) Inventor: **Peter Varga, Pforzheim (DE)**
(73) Assignee: **Dr. Ing. h.c. F. Porsche**
Aktiengesellschaft, Stuttgart (DE)

D717,221 S 11/2014 Borkert
D731,935 S * 6/2015 Robinson D12/181
D752,489 S * 3/2016 Yamamoto D12/181
D754,579 S * 4/2016 Battams D12/181
D763,149 S * 8/2016 Wheel D12/181
D777,627 S * 1/2017 Patel D12/181
D782,946 S * 4/2017 Wheel D12/181
D786,156 S * 5/2017 Kang D12/181
2016/0303954 A1* 10/2016 Kawashima B62D 35/007

(**) Term: **15 Years**
(21) Appl. No.: **29/591,933**
(22) Filed: **Jan. 25, 2017**

(30) **Foreign Application Priority Data**
Jul. 28, 2016 (DE) 40 2016 100 942
(51) **LOC (11) Cl.** **12-16**
(52) **U.S. Cl.**
USPC **D12/181**
(58) **Field of Classification Search**
USPC D12/96, 99, 400, 190, 191, 192, 193,
D12/195, 181, 183, 184, 185
CPC B60R 13/02; B60R 13/04; B62D 35/02;
B62D 35/005; B62D 35/007
See application file for complete search history.

(56) **References Cited**
U.S. PATENT DOCUMENTS
D512,668 S * 12/2005 Preiss D12/181
D535,598 S * 1/2007 Murkett D12/181
D586,711 S * 2/2009 Sato D12/181
D614,098 S * 4/2010 Larson D12/181
D625,232 S * 10/2010 Borkert D12/181

OTHER PUBLICATIONS

Design U.S. Appl. No. 29/579,465, by Scheinhütte, filed Sep. 30, 2016; and
Design U.S. Appl. No. 29/590,061, by Scheinhütte, filed Jan. 6, 2017.

* cited by examiner

Primary Examiner — Karen S Acker
Assistant Examiner — Jerry Shiuan-Hua Hsu
(74) *Attorney, Agent, or Firm* — RatnerPrestia

(57) **CLAIM**

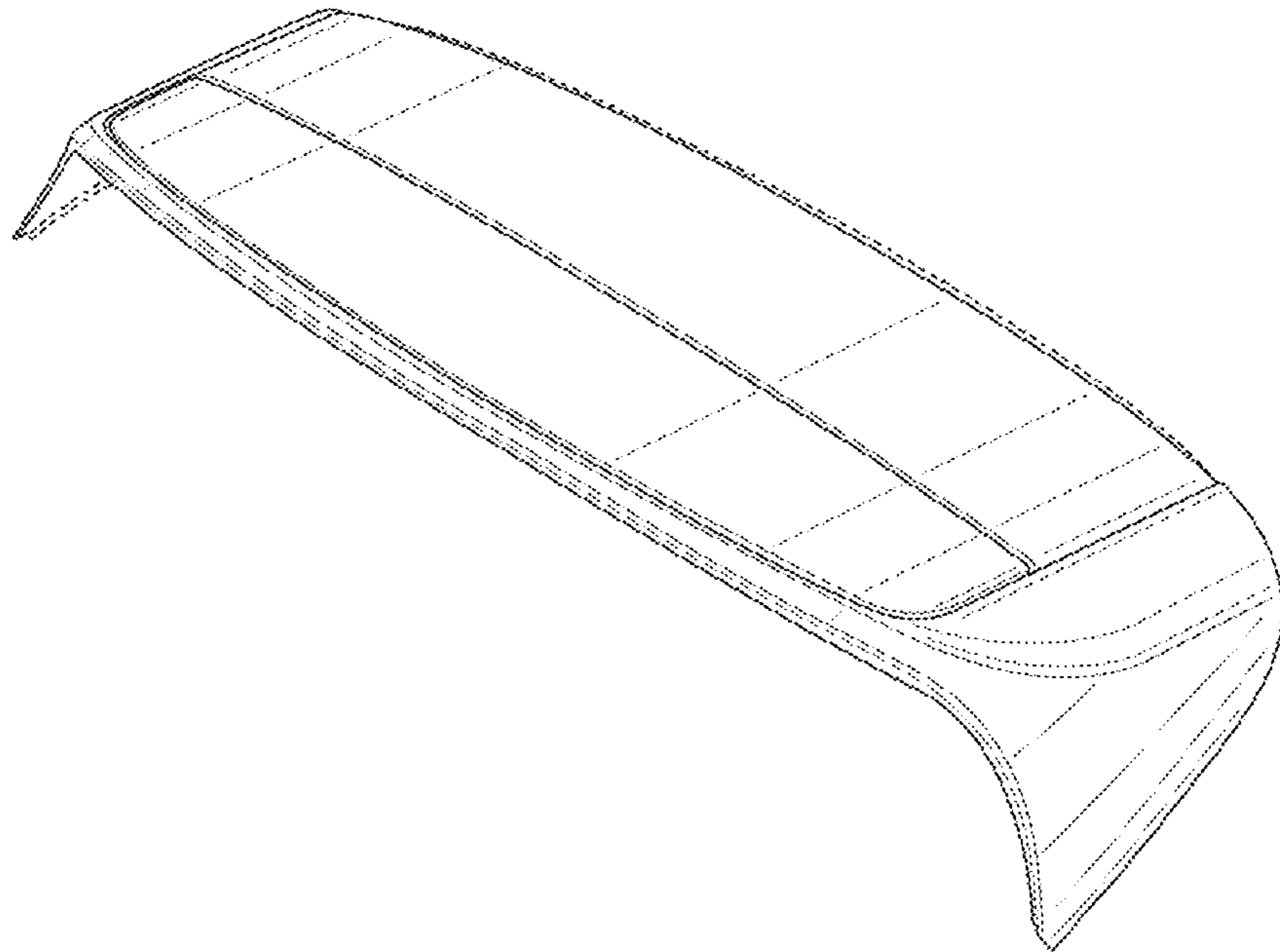
The ornamental design for a spoiler for motor vehicle, as shown and described.

DESCRIPTION

FIG. 1 is a perspective view of a spoiler for motor vehicle;
FIG. 2 is a front elevation view thereof;
FIG. 3 is a rear elevation view thereof;
FIG. 4 is an elevation view thereof from the right side;
FIG. 5 is an elevation view thereof from the left side;
FIG. 6 is a top plan view thereof; and,
FIG. 7 is a bottom plan view thereof.

The broken lines illustrate portions of the spoiler for motor vehicle that form no part of the claimed design.

1 Claim, 6 Drawing Sheets



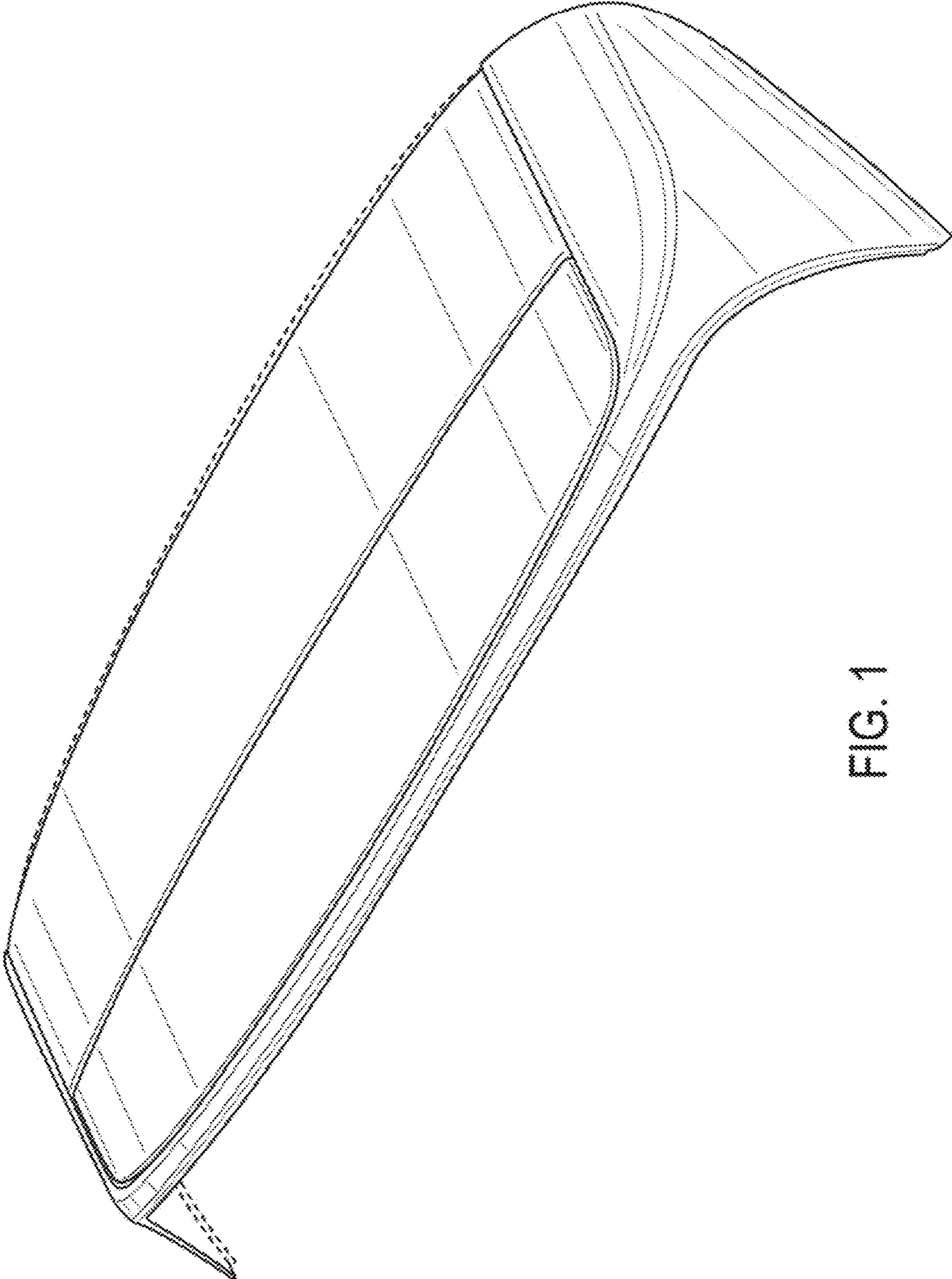


FIG. 1

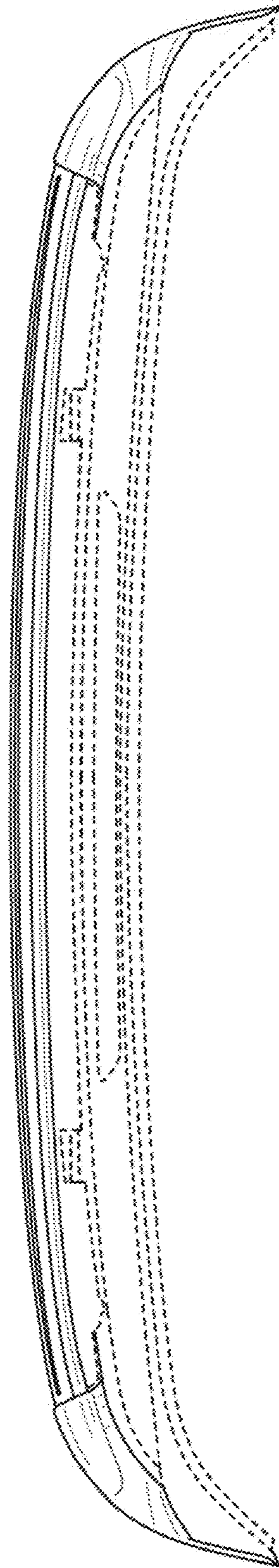


FIG. 2

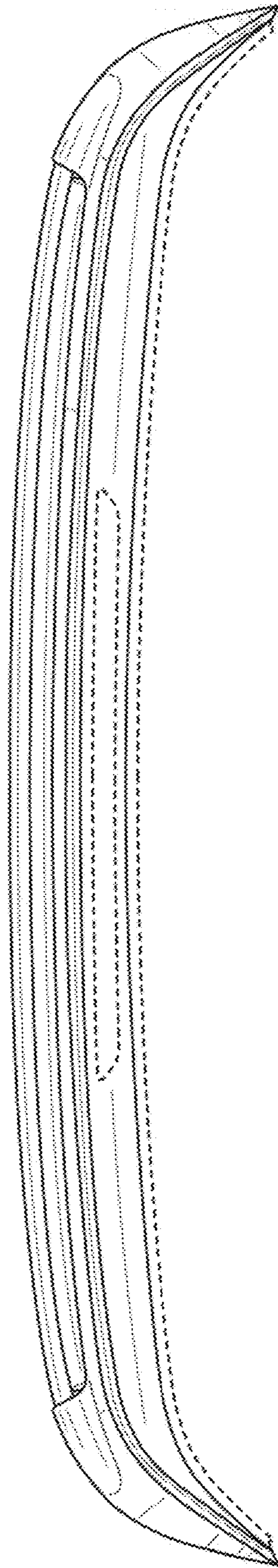


FIG. 3

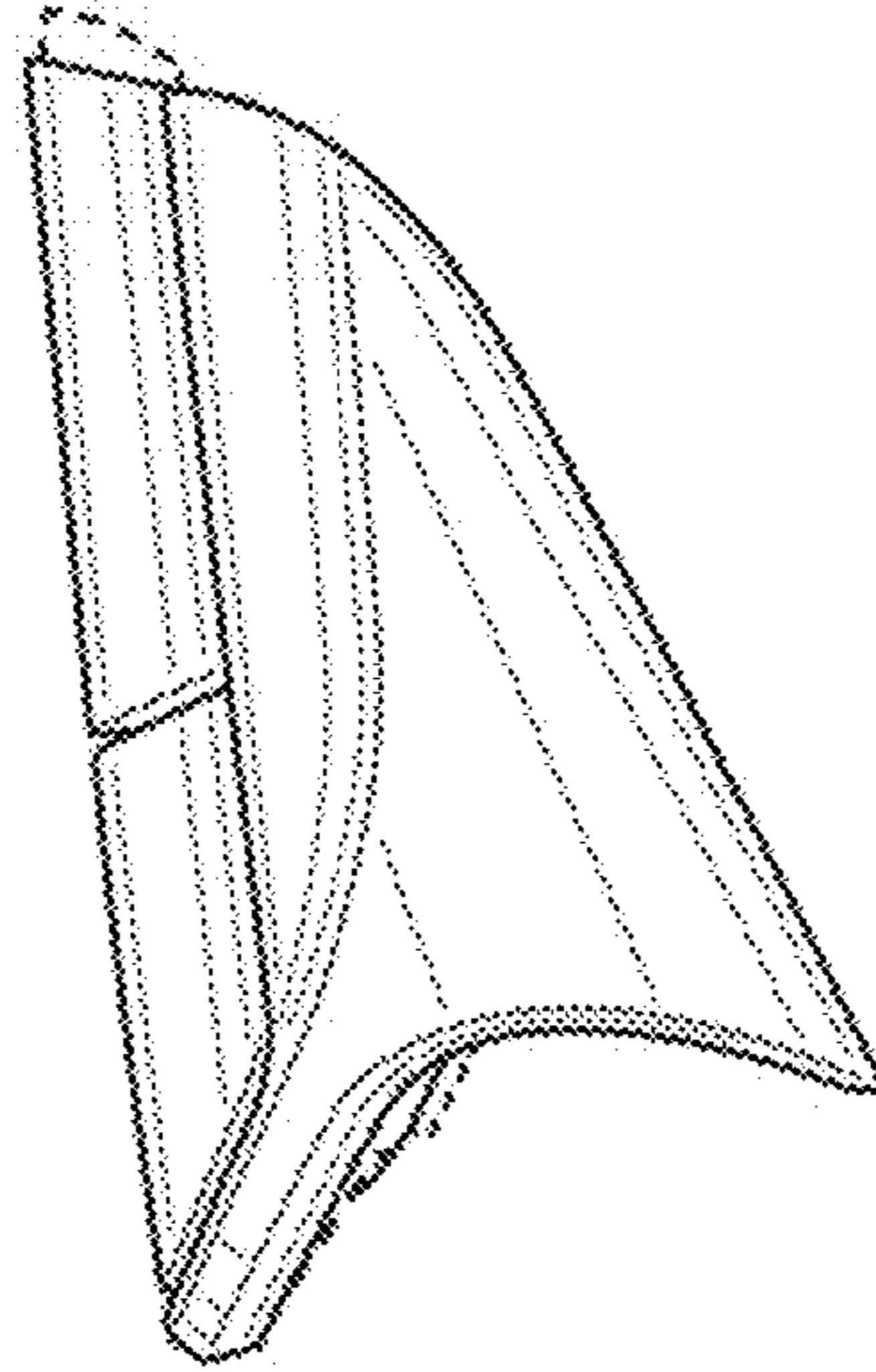


FIG. 5

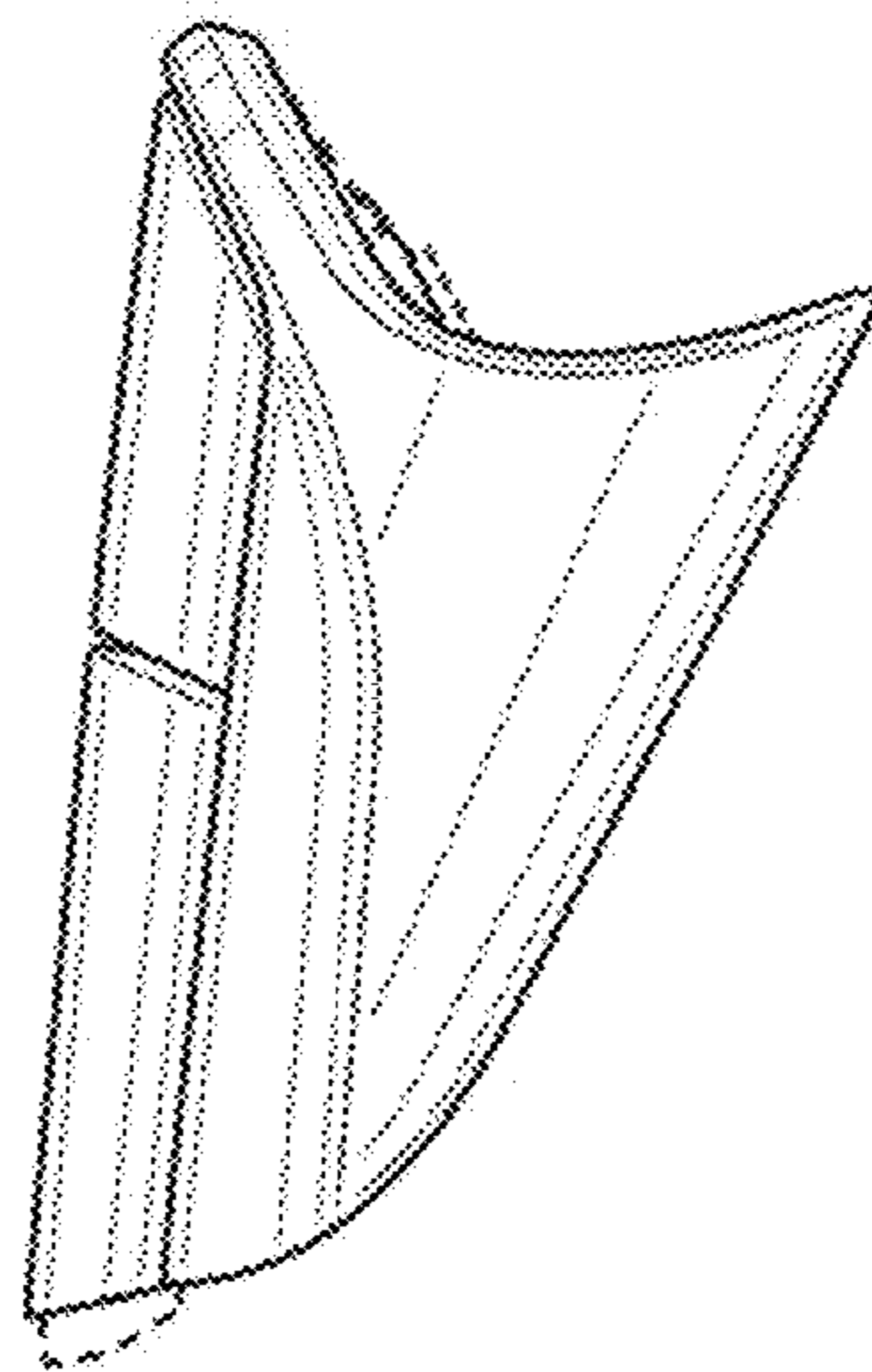


FIG. 4

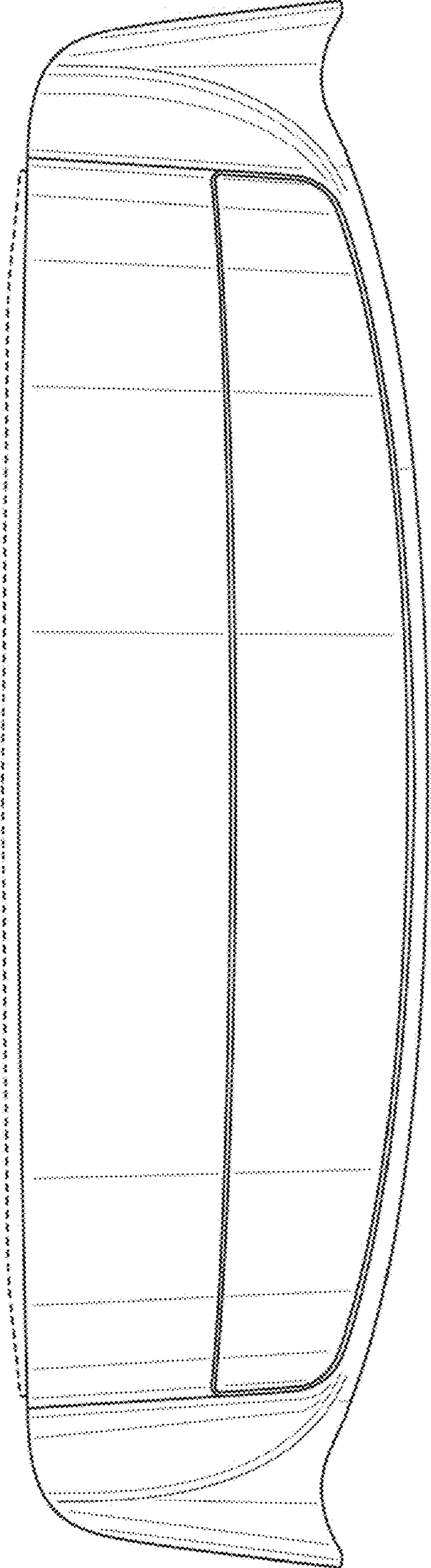


FIG. 6

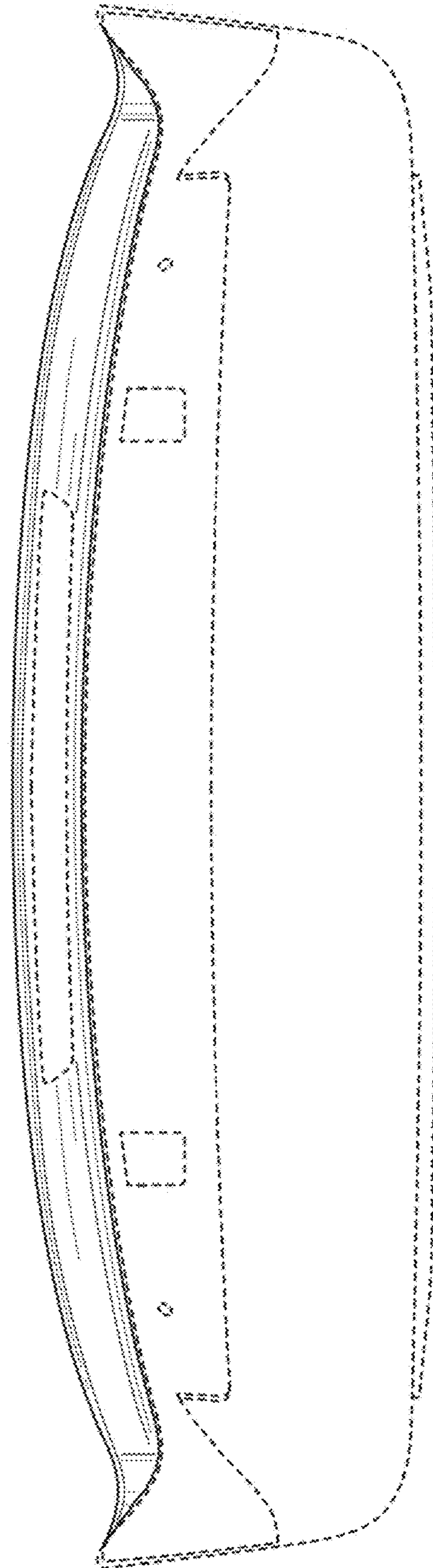


FIG. 7