



US00D828249S

(12) **United States Design Patent** (10) **Patent No.:** **US D828,249 S**
Gustafson et al. (45) **Date of Patent:** **** Sep. 11, 2018**

(54) **COMPRESSION RELIEF BRAKE ASSEMBLY**

(71) Applicant: **Cummins Inc.**, Columbus, IN (US)
(72) Inventors: **Richard J. Gustafson**, Columbus, IN (US); **Robert C. Ahrmann**, Columbus, IN (US); **Michael Lee Stark, II**, Columbus, IN (US); **Alan R. Bennett**, Indianapolis, IN (US)
(73) Assignee: **Cummins Inc.**, Columbus, IN (US)
(**) Term: **15 Years**

(21) Appl. No.: **29/537,986**
(22) Filed: **Aug. 31, 2015**
(51) **LOC (11) Cl.** **12-16**
(52) **U.S. Cl.**
USPC **D12/180**
(58) **Field of Classification Search**
USPC D12/107, 110, 114, 115, 117, 126, 160, D12/174, 177, 180, 189, 223, 400, 401, D12/404, 408, 415, 420, 423; D25/48.1, D25/48.3
CPC . B60R 1/025; B60R 1/08; B62H 5/001; B62J 9/006; B65D 43/16; B65D 43/22; B65D 55/02; F16D 55/22; F16D 55/226; F16D 55/2262; F16D 65/14; F16D 65/16; F16D 65/18; F16D 65/22; F16D 65/38; F16D 65/56; F16D 65/567; F16D 66/02; F21S 48/00; G01S 13/931
See application file for complete search history.

(56) **References Cited**

U.S. PATENT DOCUMENTS

2,379,796 A * 7/1945 Freeman F16D 65/60 188/196 BA
4,697,671 A * 10/1987 Stewart F16D 55/2245 188/250 G
4,809,820 A * 3/1989 Smith F16D 65/50 188/196 M
5,645,031 A * 7/1997 Meneely F01L 13/065 123/321

(Continued)

OTHER PUBLICATIONS

MX 13 Jacobs and DAF-PACCAR, image post date 2010, site visited Jun. 26, 2017, (online), <http://www.jacobsvehiclesystems.com/products.mx-13-jacobs-and-daf-paccar/>.*

(Continued)

Primary Examiner — Kevin K Rudzinski
(74) *Attorney, Agent, or Firm* — Taft Stettinius & Hollister LLP

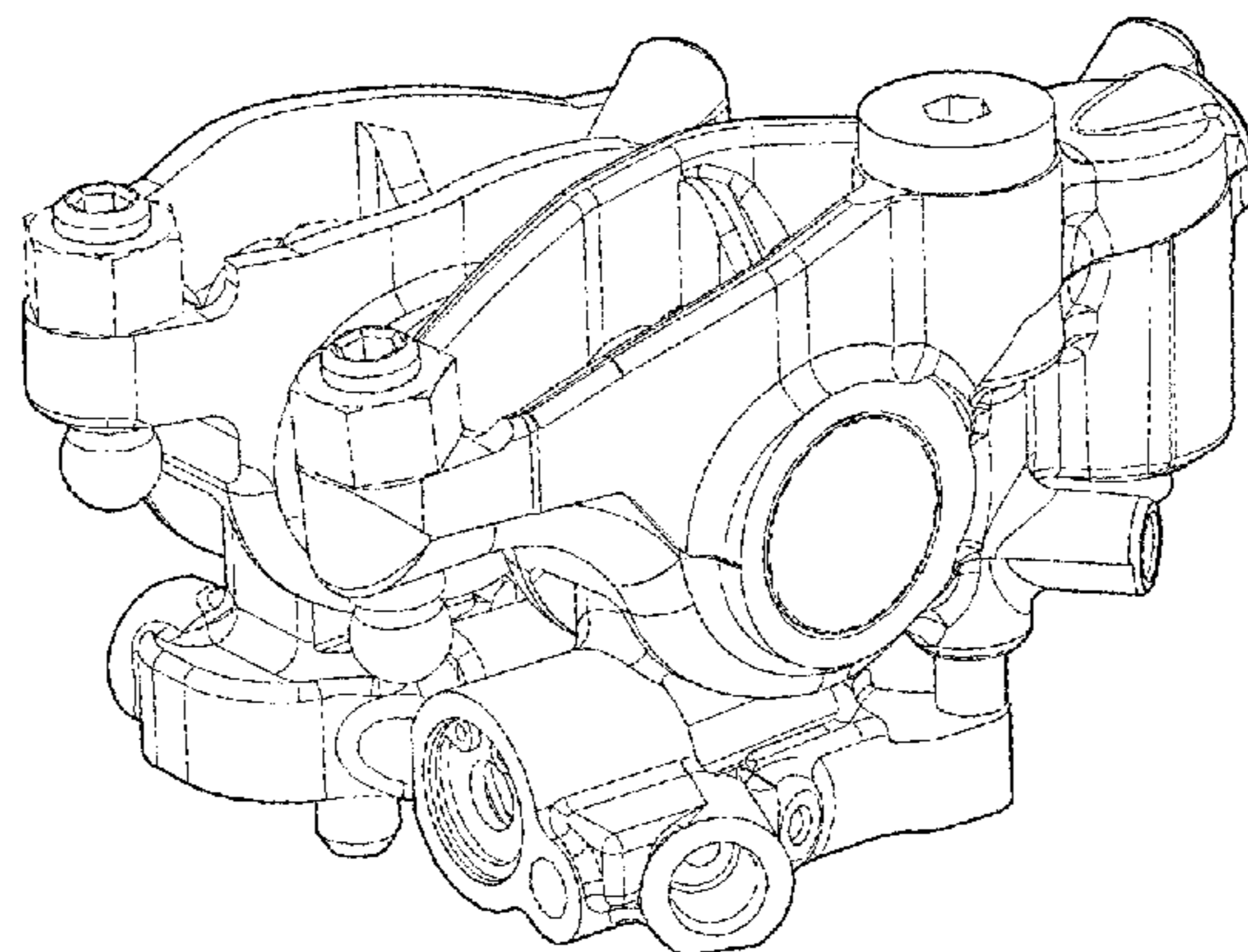
(57) **CLAIM**

The ornamental design for a compression relief brake assembly, as shown and described.

DESCRIPTION

FIG. 1 is a front perspective view of the compression relief brake assembly of the present invention.
FIG. 2 is a rear perspective view of the compression relief brake assembly of the present invention.
FIG. 3 is a rear elevation view of the compression relief brake assembly of FIG. 1.
FIG. 4 is a right side elevation view of the compression relief brake assembly of FIG. 1.
FIG. 5 is a left side elevation view of the compression relief brake assembly of FIG. 1.
FIG. 6 is a top elevation view of the compression relief brake assembly of FIG. 1.
FIG. 7 is a bottom elevation view of the compression relief brake assembly of FIG. 1; and,
FIG. 8 is a front elevation view of the compression relief brake assembly of FIG. 1.
FIGS. 1-8 show portions of the compression relief brake assembly and its environment during use in phantom lines. The phantom lines show elements that form no part of the claimed design.

1 Claim, 3 Drawing Sheets



(56)

References Cited

U.S. PATENT DOCUMENTS

D382,842 S * 8/1997 Nishimura D12/179
 6,062,349 A * 5/2000 Boisseau F16D 55/22655
 188/370
 6,766,885 B2 * 7/2004 Severinsson F16D 65/18
 188/71.9
 D547,243 S * 7/2007 Matsumura D12/118
 7,900,942 B2 * 3/2011 Koschinat B60G 7/001
 280/124.111
 D642,100 S * 7/2011 Crippa D12/180
 9,115,654 B2 * 8/2015 Schnell F01L 1/181
 9,360,066 B2 * 6/2016 Zenzen B23P 15/18
 2003/0106748 A1 * 6/2003 Bunker F16D 55/28
 188/72.6
 2003/0132891 A1 * 7/2003 Winter G01S 7/4026
 343/880
 2008/0062038 A1 * 3/2008 Ouchi G01S 7/032
 342/175

2013/0275018 A1* 10/2013 Todd F16D 66/00
 701/70
 2015/0144096 A1* 5/2015 Meneely F01L 1/18
 123/321
 2017/0121063 A1* 5/2017 Ledun B65D 39/082

OTHER PUBLICATIONS

Rocker Arm 5135268—5135267 Detroit Diesel, image post date Oct. 29, 2014, site visited Jun. 26, 2017, (online), <<https://web.archive.org/web/20141029060105/http://dieseloverhaul.com/engine-kits/detroit-diesel/detroit-diesel-series-53/non-turbo-series-53.html>>.*
 Variable Valve Actuation, image post date Jan. 15, 2013, site visited Jun. 26, 2017, (online), <<https://web.archive.org/web/20130115202921/http://www.jacobsvehiclesystems.com/products/variable-valve-actuation/>>.*

* cited by examiner

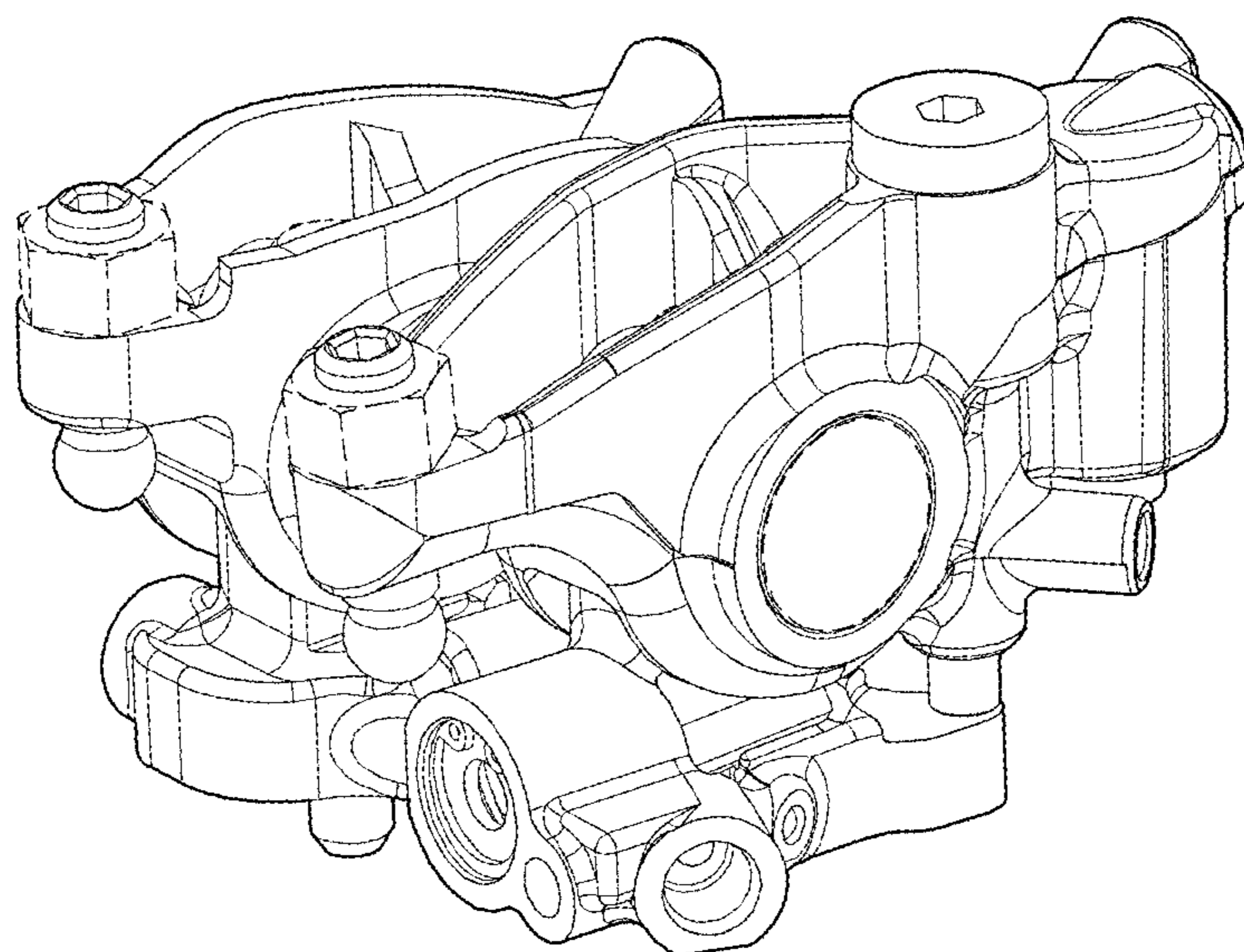


Fig. 1

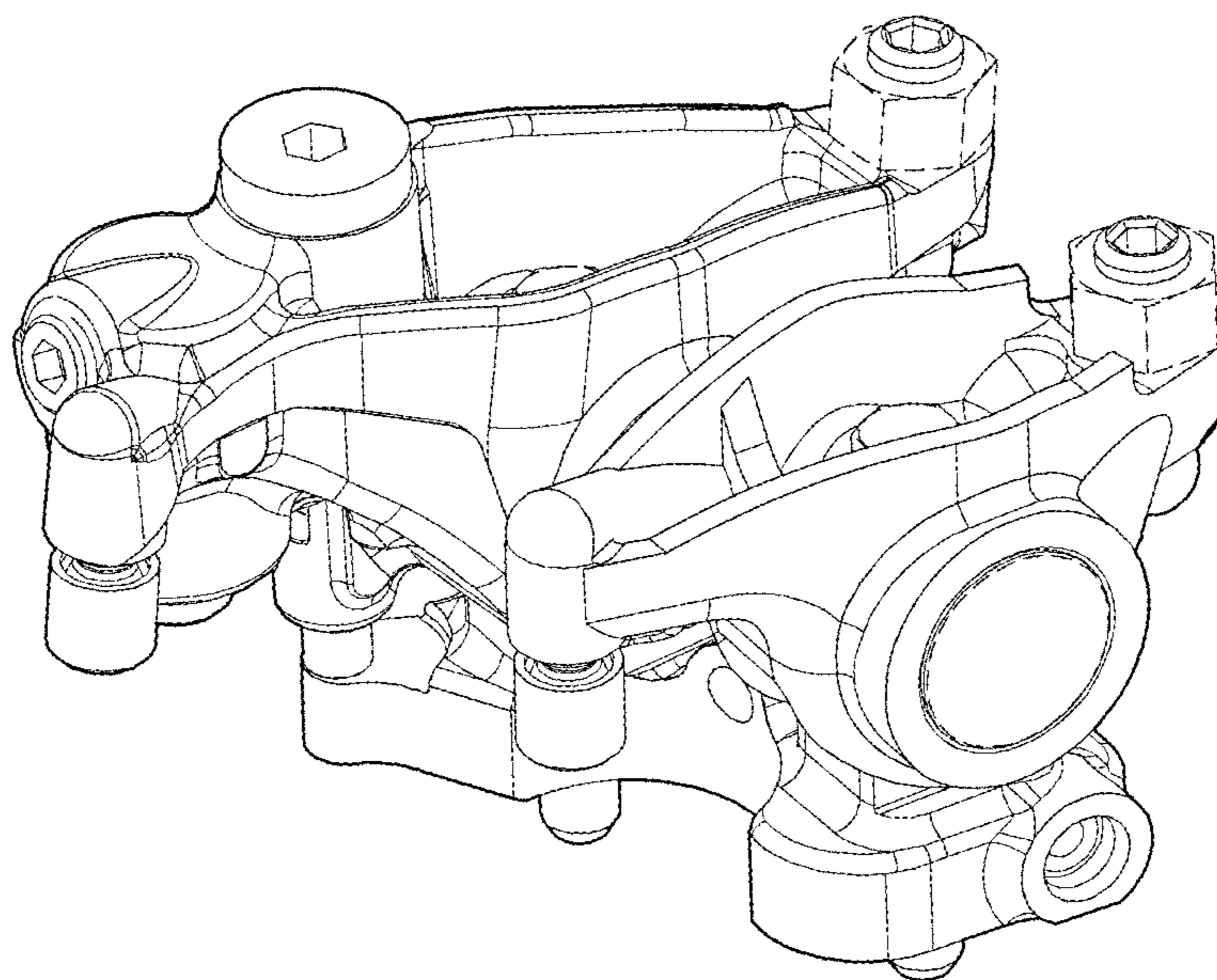


Fig. 2

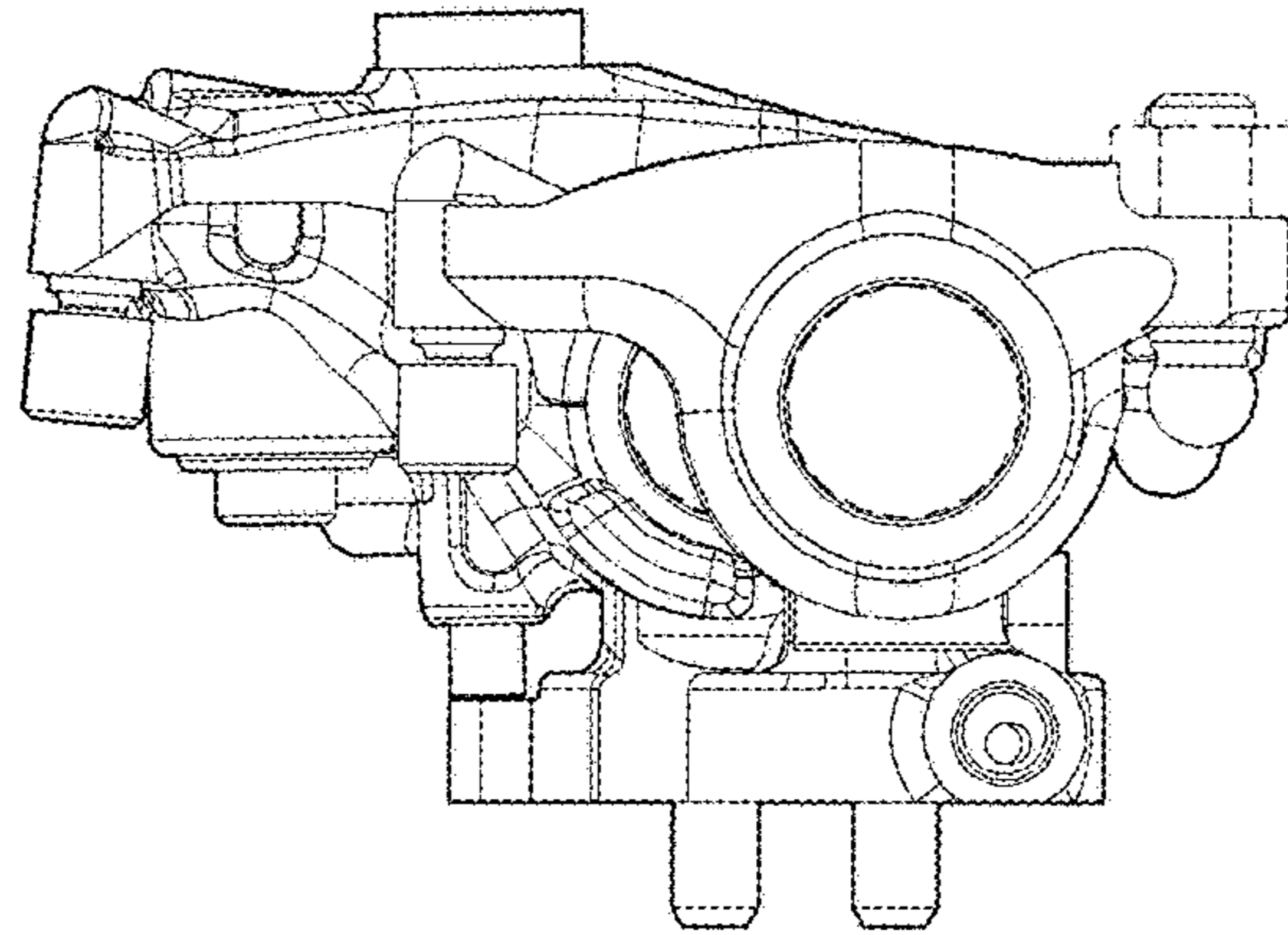


Fig. 3

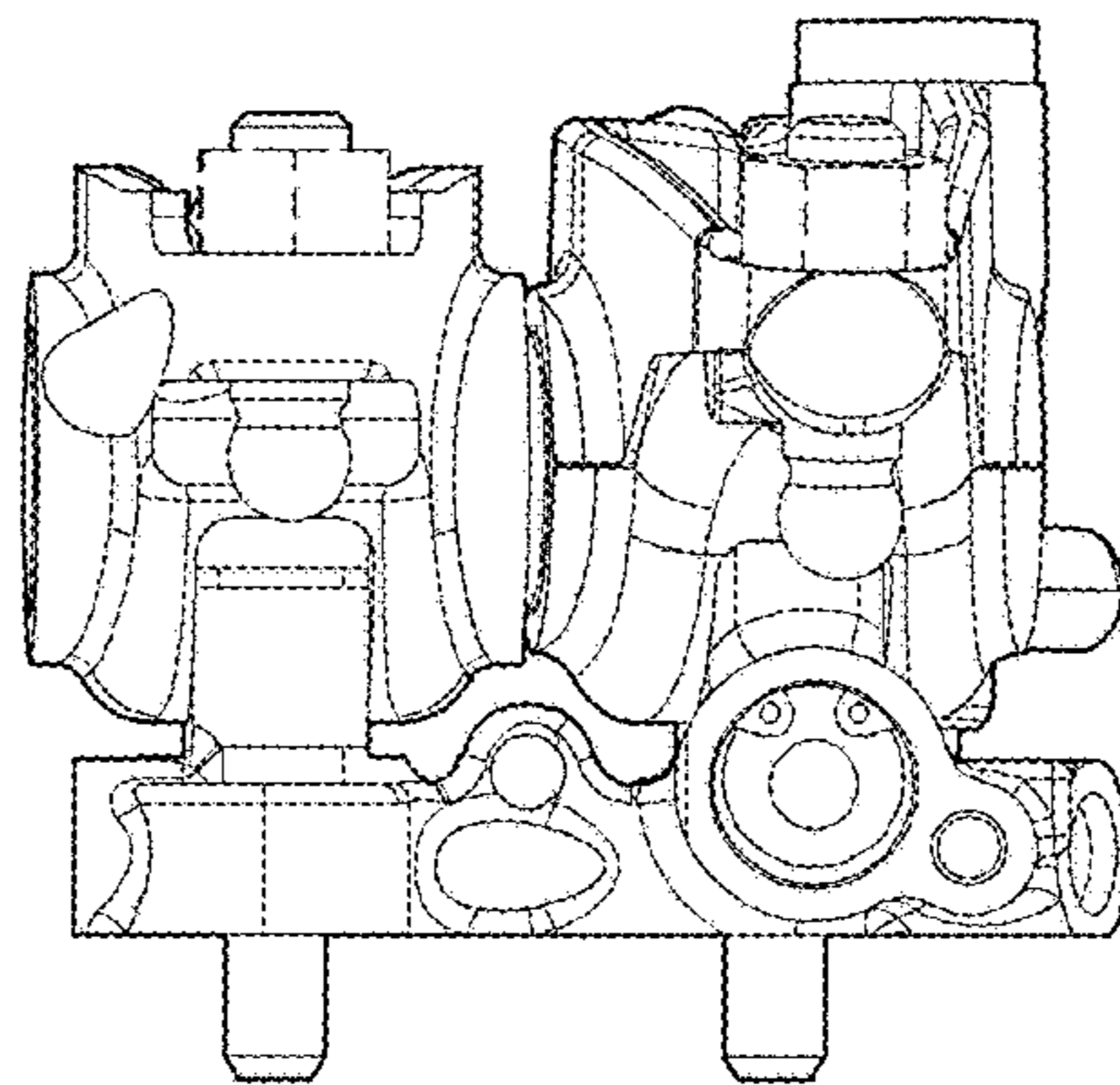


Fig. 4

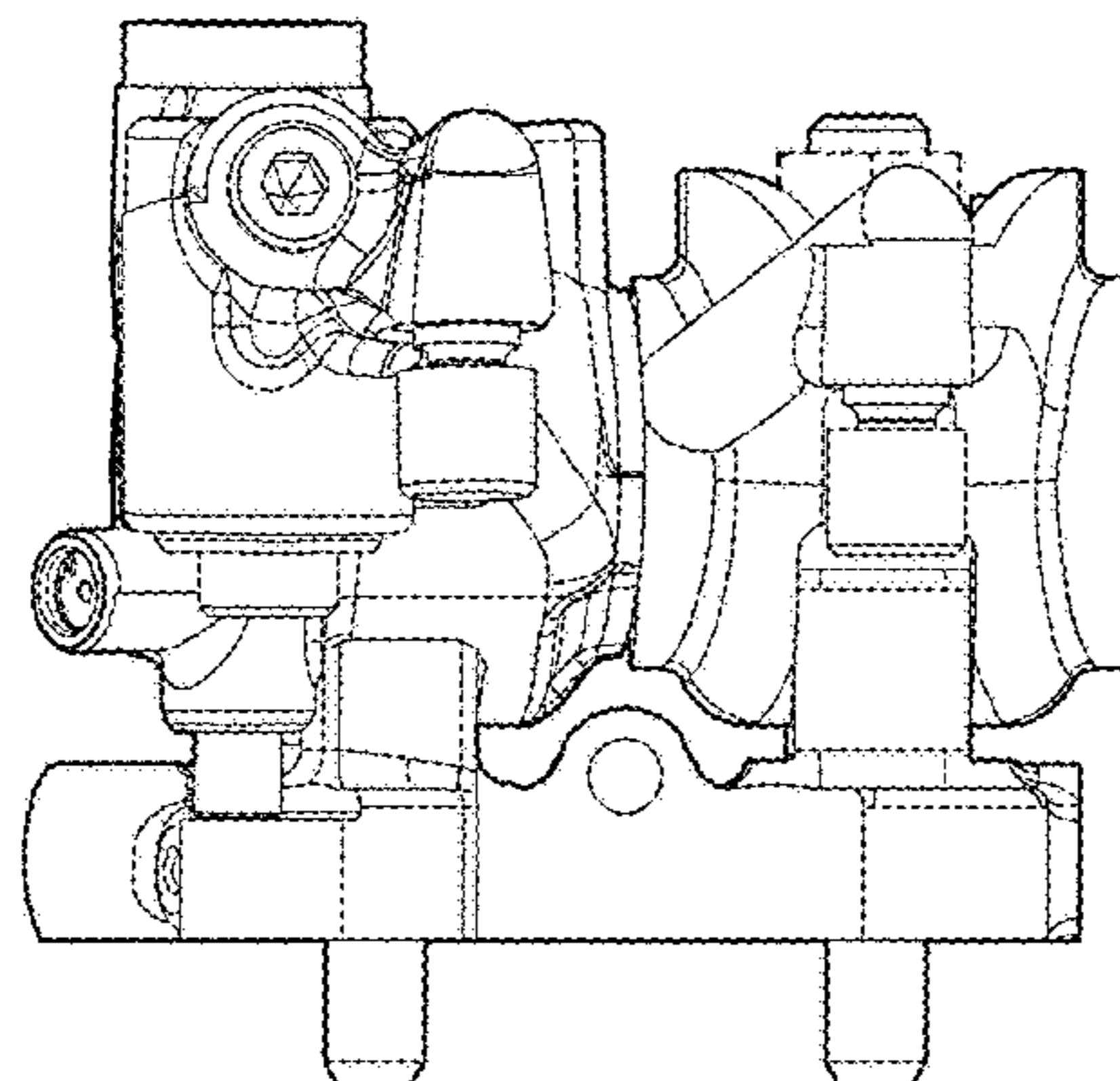


Fig. 5

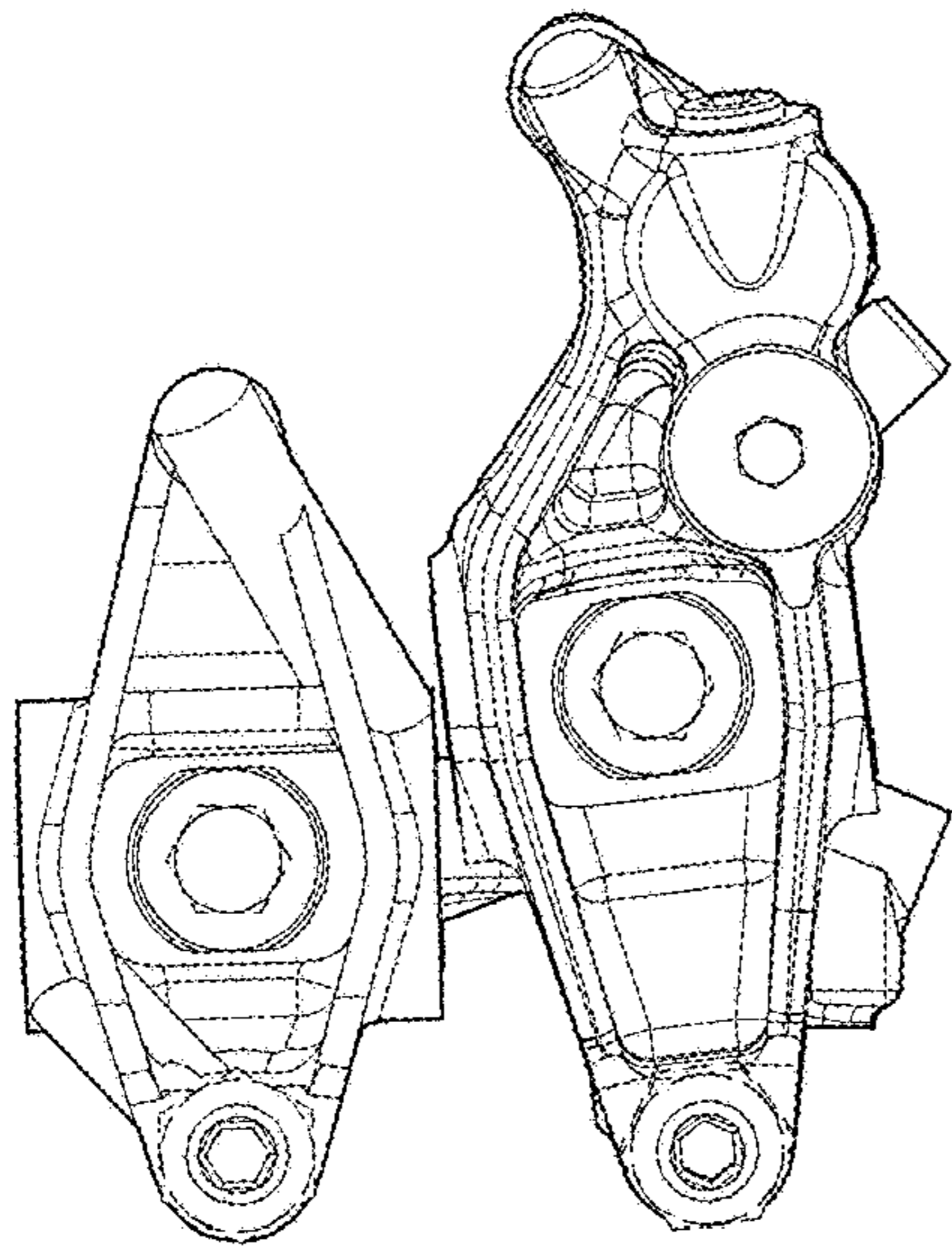


Fig. 6

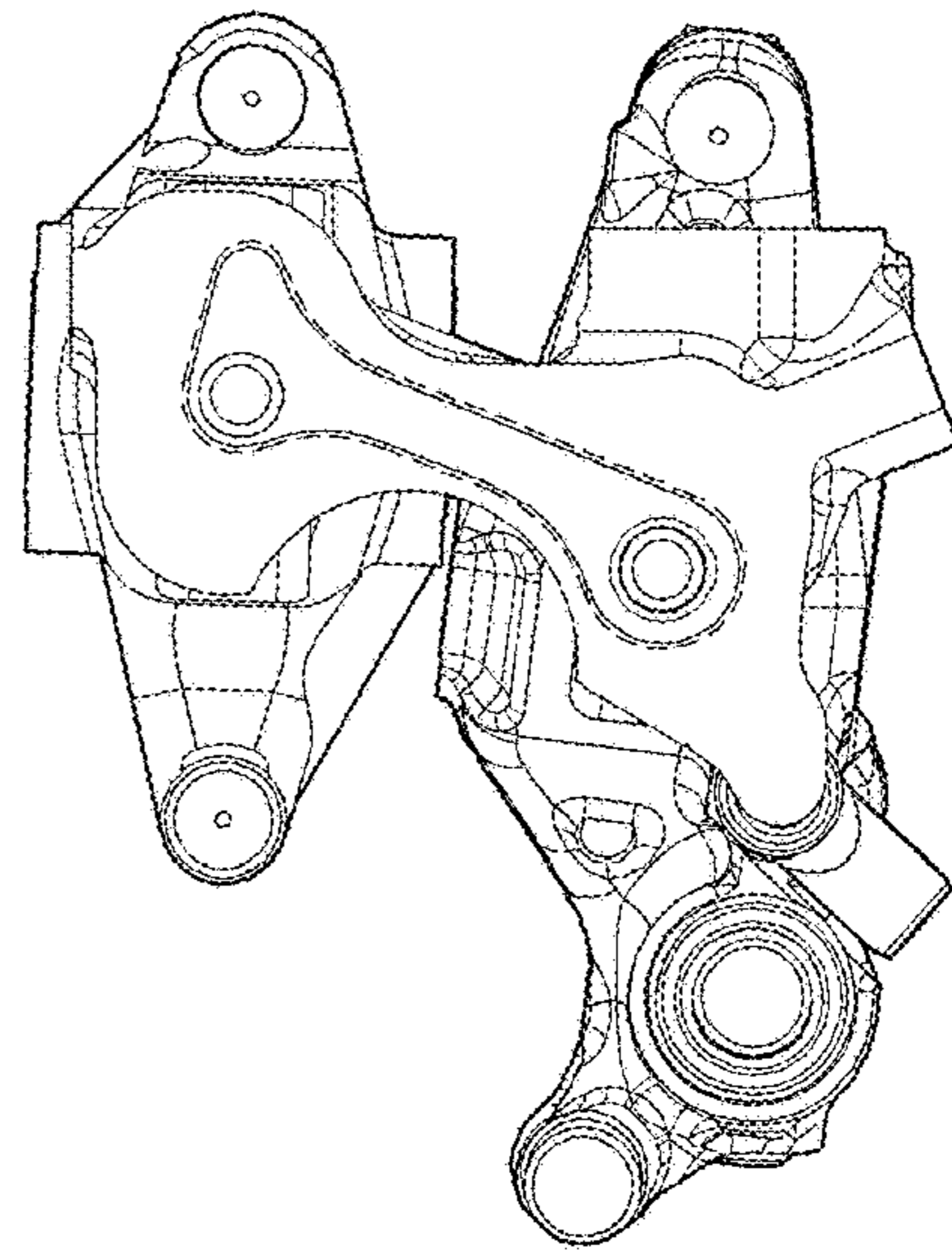


Fig. 7

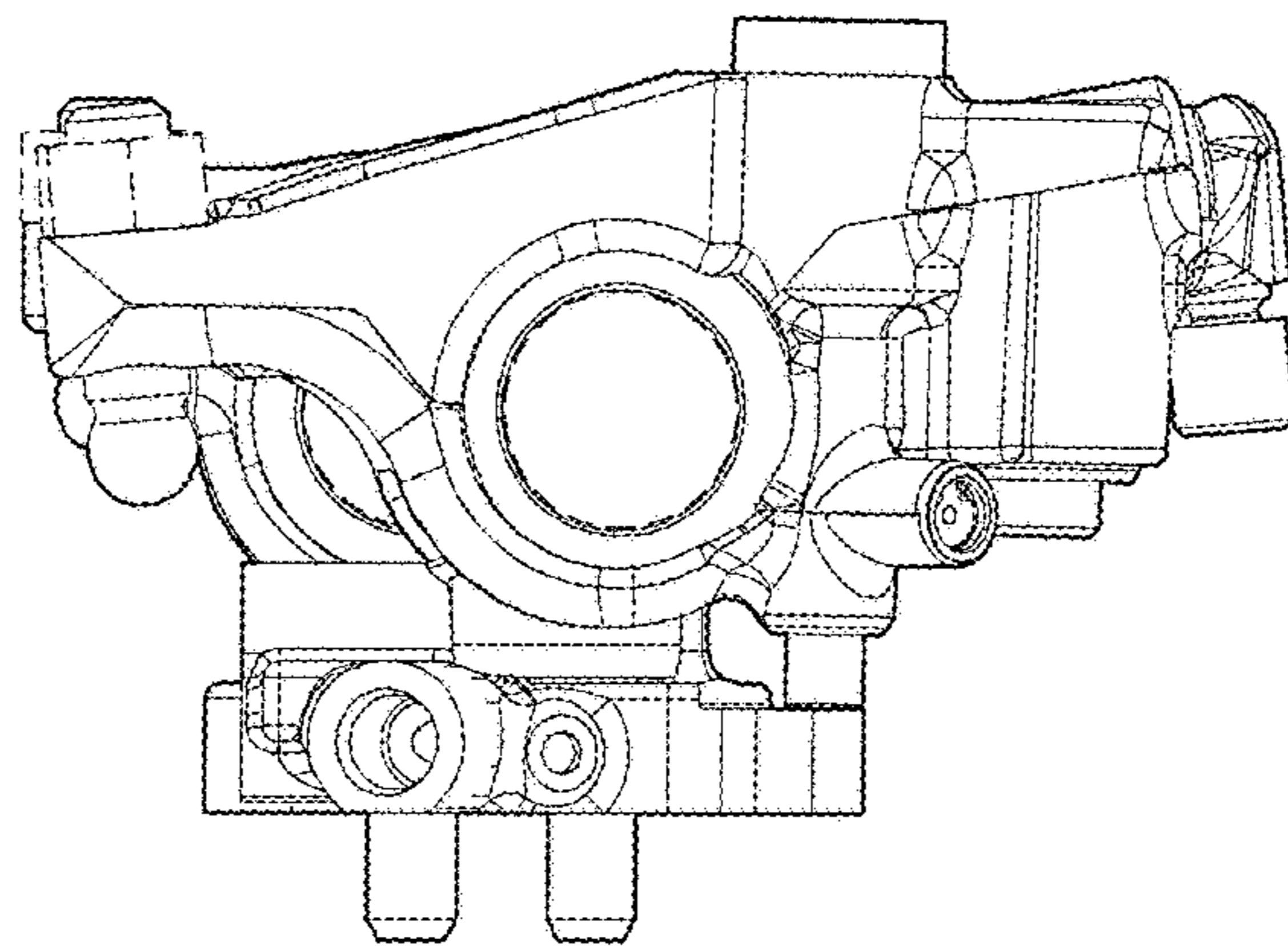


Fig. 8