



US00D828248S

(12) **United States Design Patent** (10) **Patent No.:** **US D828,248 S**  
**Zipfel** (45) **Date of Patent:** **\*\* Sep. 11, 2018**

(54) **VEHICLE HOOD**  
(71) Applicant: **GM GLOBAL TECHNOLOGY OPERATIONS LLC**, Detroit, MI (US)  
(72) Inventor: **Carl J. Zipfel**, Oxford, MI (US)  
(73) Assignee: **GM GLOBAL TECHNOLOGY OPERATIONS LLC**, Detroit, MI (US)  
(\*\*) Term: **15 Years**  
(21) Appl. No.: **29/609,206**  
(22) Filed: **Jun. 29, 2017**  
(51) **LOC (11) Cl.** ..... **12-08**  
(52) **U.S. Cl.**  
USPC ..... **D12/173**  
(58) **Field of Classification Search**  
USPC .... D12/86, 91, 93, 163, 164, 166, 167, 169,  
D12/171, 172, 173, 190, 216  
CPC ..... B62D 25/08; B62B 9/16; B60K 11/08;  
B60R 19/52  
See application file for complete search history.

(56) **References Cited**  
U.S. PATENT DOCUMENTS

D570,742 S 6/2008 Takagi et al.  
D592,105 S 5/2009 Dean et al.  
D597,447 S 8/2009 Folden  
D600,595 S 9/2009 Nakamura et al.  
D601,925 S 10/2009 O'Donnell  
D603,755 S 11/2009 Peters  
D604,203 S 11/2009 O'Donnell  
D605,082 S 12/2009 Munson  
D605,083 S 12/2009 Manoogian, II et al.  
D605,977 S 12/2009 Zipfel et al.  
D605,978 S 12/2009 Wolff et al.  
D608,249 S 1/2010 Peters  
D608,690 S 1/2010 Folden et al.  
D608,691 S 1/2010 Zak, Jr. et al.

D609,608 S 2/2010 Boniface et al.  
D611,387 S 3/2010 Thompson et al.  
D611,879 S 3/2010 Kim et al.  
D612,297 S 3/2010 Peters et al.  
D613,645 S 4/2010 Song et al.  
D615,458 S 5/2010 Thompson et al.  
D618,595 S 6/2010 Ware et al.  
D623,090 S 9/2010 Cox et al.  
D627,262 S 11/2010 Ikeda et al.  
D627,686 S \* 11/2010 Thompson ..... D12/91  
D635,488 S 4/2011 Phipps  
D644,147 S 8/2011 Suh et al.  
D644,567 S 9/2011 Kozub  
D646,203 S \* 10/2011 Thompson ..... D12/91  
D646,607 S \* 10/2011 Verhee ..... D12/169  
D649,908 S \* 12/2011 Mullen ..... D12/86  
D649,909 S \* 12/2011 Mullen ..... D12/86  
D657,718 S 4/2012 Zipfel et al.  
D659,052 S 5/2012 Ware et al.  
D659,053 S 5/2012 Ware et al.  
D661,231 S \* 6/2012 Galante ..... D12/163  
(Continued)

Primary Examiner — Marianne N Pandozzi  
Assistant Examiner — Suzanne E Tisdell

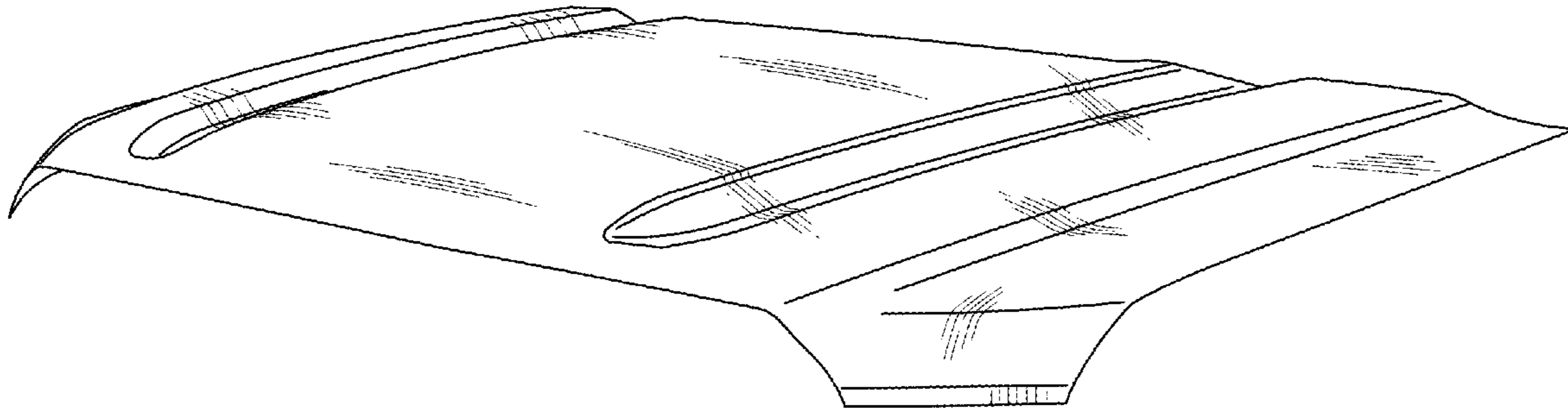
(57) **CLAIM**

The ornamental design for a vehicle hood, as shown and described.

**DESCRIPTION**

FIG. 1 is a front and left perspective view of the vehicle hood according to the present disclosure; FIG. 2 is a left end elevation view thereof; FIG. 3 is a top plan view thereof; and, FIG. 4 is a front elevation view thereof. The right end elevation view is omitted, because the right end elevation view is a mirror image to the left end elevation view. The shade lines in the figures show contour and not surface ornamentation.

**1 Claim, 3 Drawing Sheets**



(56)

References Cited

U.S. PATENT DOCUMENTS

|              |         |                      |              |         |                        |
|--------------|---------|----------------------|--------------|---------|------------------------|
| D668,182 S   | 10/2012 | Barba Franco et al.  | D750,001 S   | 2/2016  | Thole et al.           |
| D668,183 S   | 10/2012 | Smart                | D753,032 S   | 4/2016  | Smith et al.           |
| D678,820 S   | 3/2013  | Son et al.           | D753,033 S   | 4/2016  | Thole et al.           |
| D678,821 S   | 3/2013  | Ikeda et al.         | D753,034 S   | 4/2016  | Thole et al.           |
| D680,909 S   | 4/2013  | Munson et al.        | D753,035 S   | 4/2016  | Boniface et al.        |
| D680,910 S   | 4/2013  | David                | D753,559 S   | 4/2016  | McMahan et al.         |
| D683,675 S * | 6/2013  | Munson ..... D12/173 | D753,560 S   | 4/2016  | McMahan et al.         |
| D684,899 S   | 6/2013  | Baker                | D753,567 S   | 4/2016  | Boniface et al.        |
| D686,121 S * | 7/2013  | McCabe ..... D12/173 | D754,571 S   | 4/2016  | Boniface et al.        |
| D686,536 S   | 7/2013  | McCabe et al.        | D754,572 S   | 4/2016  | McMahan et al.         |
| D692,798 S   | 11/2013 | Thurber              | D755,088 S   | 5/2016  | McMahan et al.         |
| D692,799 S   | 11/2013 | Smith et al.         | D756,869 S   | 5/2016  | McMahan et al.         |
| D696,157 S   | 12/2013 | Loeb                 | D758,271 S   | 6/2016  | McMahan et al.         |
| D699,629 S   | 2/2014  | Ikeda et al.         | D764,975 S   | 8/2016  | Aengenheyster          |
| D700,871 S   | 3/2014  | O'Donnell et al.     | D764,976 S   | 8/2016  | Aengenheyster          |
| D703,103 S   | 4/2014  | Lee                  | D767,449 S   | 9/2016  | Pevovar et al.         |
| D704,103 S   | 5/2014  | Mack et al.          | D767,450 S   | 9/2016  | Lee et al.             |
| D705,132 S   | 5/2014  | Ware et al.          | D767,451 S   | 9/2016  | Kozub et al.           |
| D705,699 S   | 5/2014  | Ware et al.          | D767,454 S   | 9/2016  | McMahan et al.         |
| D713,298 S   | 9/2014  | Dyson                | D767,458 S   | 9/2016  | Kim                    |
| D713,764 S   | 9/2014  | Ferlazzo et al.      | D767,459 S   | 9/2016  | Kim                    |
| D716,696 S   | 11/2014 | Thole et al.         | D767,460 S   | 9/2016  | Kozub et al.           |
| D716,706 S   | 11/2014 | Thole et al.         | D767,461 S   | 9/2016  | Kozub et al.           |
| D716,709 S   | 11/2014 | Thole et al.         | D771,528 S   | 11/2016 | Smith et al.           |
| D717,696 S   | 11/2014 | Thole et al.         | D771,529 S   | 11/2016 | Thole et al.           |
| D718,189 S   | 11/2014 | Krieg et al.         | D771,532 S   | 11/2016 | Kapitonov              |
| D718,683 S * | 12/2014 | Thole ..... D12/173  | D771,533 S   | 11/2016 | Kapitonov              |
| D722,282 S   | 2/2015  | Loeb                 | D772,766 S   | 11/2016 | Kozub et al.           |
| D722,533 S   | 2/2015  | Thole et al.         | D772,767 S   | 11/2016 | Kim                    |
| D722,534 S   | 2/2015  | Munson et al.        | D773,084 S   | 11/2016 | Kapitonov              |
| D724,510 S   | 3/2015  | McMahan et al.       | D773,086 S   | 11/2016 | McCabe et al.          |
| D725,001 S   | 3/2015  | McMahan et al.       | D774,226 S   | 12/2016 | McCabe et al.          |
| D726,591 S   | 4/2015  | Jacob                | D775,003 S   | 12/2016 | Pevovar et al.         |
| D730,776 S   | 6/2015  | Smart                | D775,007 S   | 12/2016 | Thole et al.           |
| D730,783 S   | 6/2015  | Henriques et al.     | D775,010 S   | 12/2016 | Kim et al.             |
| D732,427 S   | 6/2015  | Loeb                 | D775,021 S * | 12/2016 | Harriton ..... D12/173 |
| D732,429 S   | 6/2015  | Loeb                 | D775,049 S   | 12/2016 | Scheer et al.          |
| D732,430 S   | 6/2015  | Loeb                 | D775,549 S   | 1/2017  | Karras                 |
| D732,431 S   | 6/2015  | Loeb                 | D775,554 S   | 1/2017  | Kapitonov              |
| D732,432 S   | 6/2015  | Aengenheyster        | D776,020 S   | 1/2017  | Kapitonov              |
| D732,433 S   | 6/2015  | Aengenheyster        | D776,581 S   | 1/2017  | Pevovar et al.         |
| D732,435 S   | 6/2015  | Mackay               | D776,583 S   | 1/2017  | Scheer et al.          |
| D733,002 S   | 6/2015  | Loeb                 | D776,841 S   | 1/2017  | Kozub et al.           |
| D735,611 S   | 8/2015  | Aengenheyster        | D776,843 S   | 1/2017  | McCabe et al.          |
| D735,627 S   | 8/2015  | Smith                | D776,846 S   | 1/2017  | Willett et al.         |
| D736,451 S   | 8/2015  | Smith                | D777,359 S   | 1/2017  | Kozub et al.           |
| D739,306 S   | 9/2015  | McMahan et al.       | D777,360 S   | 1/2017  | Kozub et al.           |
| D739,317 S   | 9/2015  | McMahan et al.       | D777,361 S   | 1/2017  | Kozub et al.           |
| D741,223 S   | 10/2015 | Kim et al.           | D777,604 S   | 1/2017  | McNerney               |
| D743,309 S   | 11/2015 | Thole et al.         | D777,605 S   | 1/2017  | Ferlazzo et al.        |
| D743,313 S   | 11/2015 | Smith et al.         | D777,620 S   | 1/2017  | Pevovar et al.         |
| D743,314 S   | 11/2015 | Thole et al.         | D777,621 S   | 1/2017  | Kim                    |
| D743,857 S   | 11/2015 | McMahan et al.       | D777,622 S   | 1/2017  | Kozub et al.           |
| D744,158 S   | 11/2015 | Willett et al.       | D777,628 S   | 1/2017  | Kozub et al.           |
| D745,086 S   | 12/2015 | Finos et al.         | D777,955 S   | 1/2017  | Willett et al.         |
| D745,719 S   | 12/2015 | Boniface et al.      | D778,212 S   | 2/2017  | Kozub et al.           |
| D745,725 S   | 12/2015 | McMahan et al.       | D778,215 S   | 2/2017  | Kozub et al.           |
| D745,726 S   | 12/2015 | McMahan et al.       | D778,217 S * | 2/2017  | Ito ..... D12/173      |
| D745,837 S   | 12/2015 | Smith et al.         | D780,064 S   | 2/2017  | Smith et al.           |
| D746,726 S   | 1/2016  | Smith et al.         | D780,067 S   | 2/2017  | Zipfel et al.          |
| D746,727 S   | 1/2016  | Smith et al.         | D780,068 S   | 2/2017  | Whitla et al.          |
| D746,728 S   | 1/2016  | Smith et al.         | D780,077 S   | 2/2017  | Kim et al.             |
| D746,729 S   | 1/2016  | Boniface et al.      | D780,081 S   | 2/2017  | Lee                    |
| D746,730 S   | 1/2016  | Kim et al.           | D780,084 S   | 2/2017  | Scheer et al.          |
| D747,514 S   | 1/2016  | McMahan et al.       | D780,631 S   | 3/2017  | Kozub et al.           |
| D747,515 S   | 1/2016  | McMahan et al.       | D780,644 S   | 3/2017  | Kim et al.             |
| D747,819 S   | 1/2016  | Thole et al.         | D781,184 S   | 3/2017  | Thole et al.           |
| D749,021 S   | 2/2016  | Boniface et al.      | D781,192 S   | 3/2017  | Kozub et al.           |
| D749,026 S   | 2/2016  | Smith et al.         | D782,379 S   | 3/2017  | Wassell                |
| D749,027 S   | 2/2016  | McMahan et al.       | D783,482 S   | 4/2017  | Smith et al.           |
| D749,246 S   | 2/2016  | Thole et al.         | D784,213 S   | 4/2017  | Karras                 |
| D749,249 S   | 2/2016  | Thole et al.         | D784,219 S * | 4/2017  | Jung ..... D12/173     |
| D749,250 S   | 2/2016  | Thole et al.         | D784,223 S   | 4/2017  | Lee                    |
| D749,985 S   | 2/2016  | Kozub et al.         | D784,226 S   | 4/2017  | Cheng                  |
| D749,997 S   | 2/2016  | McMahan et al.       | D784,579 S   | 4/2017  | Cheng et al.           |
|              |         |                      | D784,877 S   | 4/2017  | Lee                    |
|              |         |                      | D784,886 S   | 4/2017  | Smith et al.           |
|              |         |                      | D785,521 S   | 5/2017  | Smith et al.           |
|              |         |                      | D786,149 S   | 5/2017  | Pevovar et al.         |

(56)

**References Cited**

U.S. PATENT DOCUMENTS

|                   |         |                 |                        |
|-------------------|---------|-----------------|------------------------|
| D786,743 S        | 5/2017  | Smith et al.    |                        |
| D786,750 S        | 5/2017  | Lee             |                        |
| D787,446 S        | 5/2017  | Cockerill       |                        |
| D787,984 S        | 5/2017  | Fang            |                        |
| D787,988 S        | 5/2017  | Lee             |                        |
| D787,989 S        | 5/2017  | Kozub et al.    |                        |
| D787,990 S        | 5/2017  | Kozub et al.    |                        |
| D787,992 S        | 5/2017  | Lee             |                        |
| D787,993 S *      | 5/2017  | McCabe .....    | D12/173                |
| D788,001 S        | 5/2017  | Lee             |                        |
| D788,641 S        | 6/2017  | Arnold          |                        |
| D788,644 S        | 6/2017  | Mueller         |                        |
| D788,645 S        | 6/2017  | Mueller         |                        |
| D789,250 S        | 6/2017  | Arnold          |                        |
| D789,260 S        | 6/2017  | Smith et al.    |                        |
| D789,575 S        | 6/2017  | Willett         |                        |
| D789,841 S        | 6/2017  | Lee             |                        |
| D789,849 S        | 6/2017  | Lee             |                        |
| D797,603 S *      | 9/2017  | Noone .....     | D12/91                 |
| D804,372 S *      | 12/2017 | Kozub .....     | D12/173                |
| D813,757 S *      | 3/2018  | Kozub .....     | D12/173                |
| D813,758 S *      | 3/2018  | Gonzales .....  | D12/173                |
| D815,574 S *      | 4/2018  | Mainville ..... | D12/173                |
| 2011/0120791 A1 * | 5/2011  | Greenwood ..... | B60K 11/04<br>180/68.1 |

\* cited by examiner

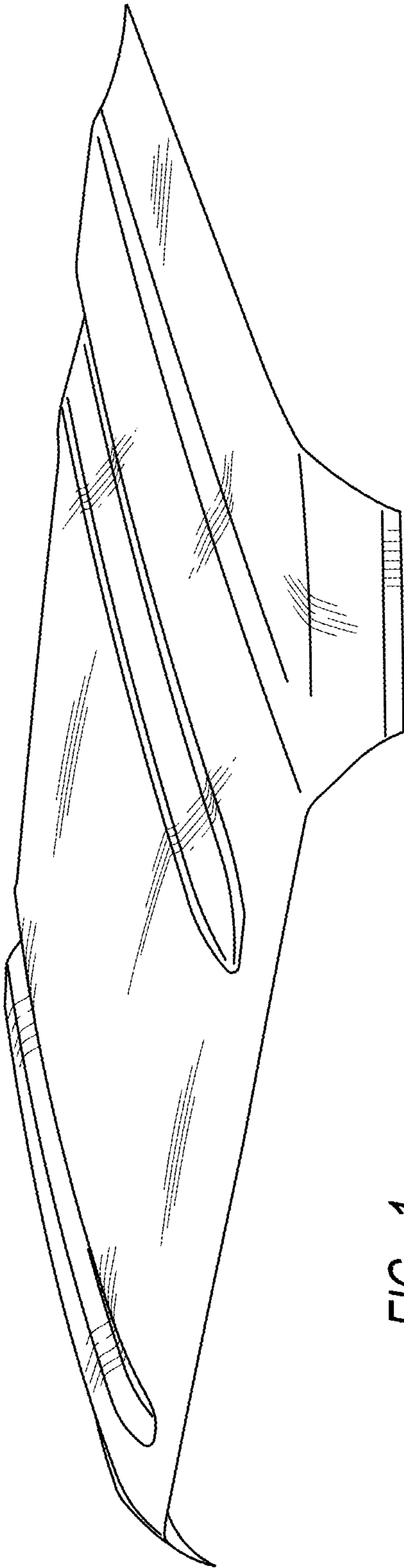


FIG-1

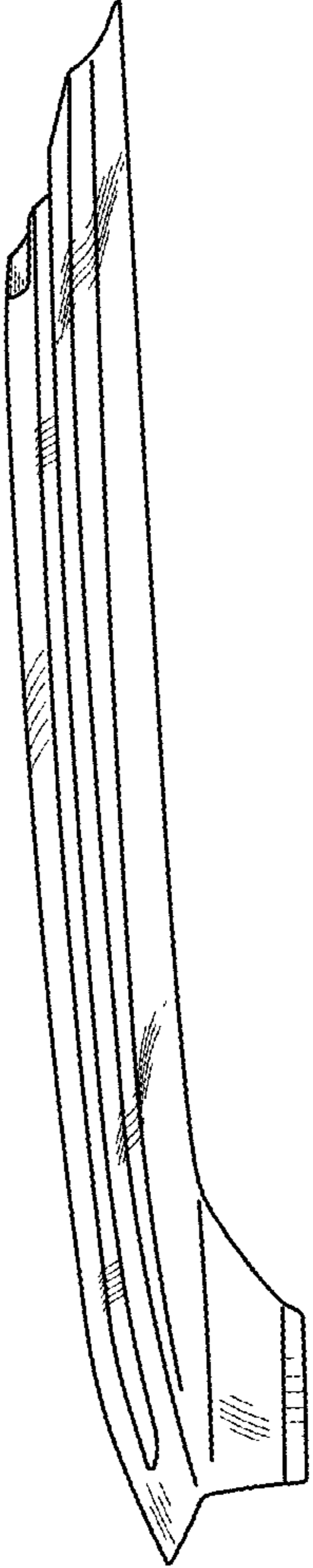


FIG-2

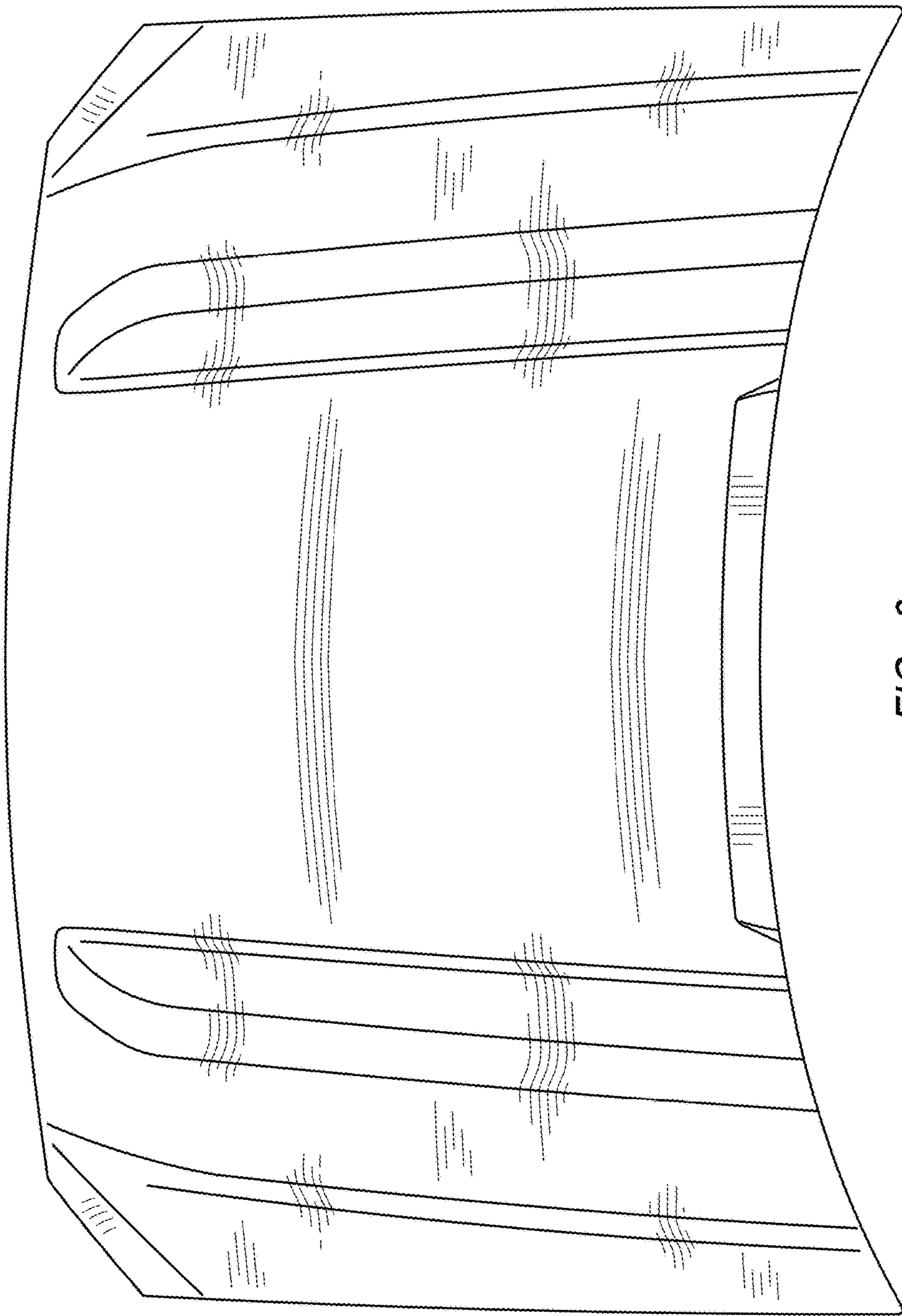


FIG - 3

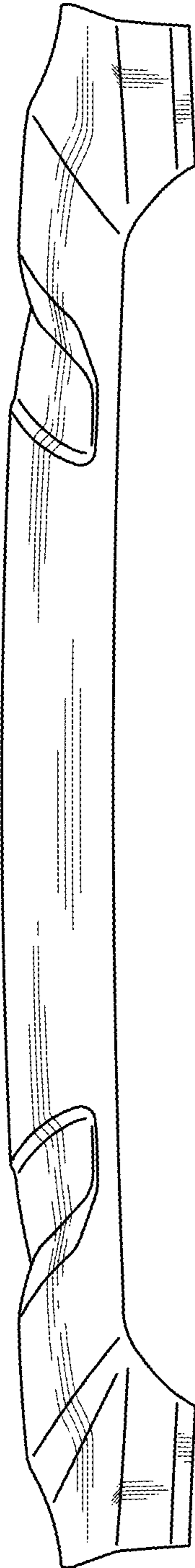


FIG - 4