



US00D828241S

(12) **United States Design Patent**
Borkholder

(10) **Patent No.:** **US D828,241 S**
(45) **Date of Patent:** **** Sep. 11, 2018**

(54) **TORSION RECEIVER HITCH**

(71) Applicant: **Carl Borkholder**, Bremen, IN (US)

(72) Inventor: **Carl Borkholder**, Bremen, IN (US)

(**) Term: **15 Years**

(21) Appl. No.: **29/579,194**

(22) Filed: **Sep. 28, 2016**

(51) **LOC (11) Cl.** **12-16**

(52) **U.S. Cl.**
USPC **D12/162**

(58) **Field of Classification Search**
USPC D12/159, 160, 161, 162, 203, 223, 400
CPC . B60D 1/065; B60D 1/00; B60D 1/60; B60D
1/06

See application file for complete search history.

(56) **References Cited**

U.S. PATENT DOCUMENTS

D591,208 S *	4/2009	Wubker, Jr.	D12/162
D620,403 S *	7/2010	Blankenship	D12/162
7,775,544 B2 *	8/2010	Bouwkamp	B60D 1/143
				280/483
D682,751 S *	5/2013	Borkholder	D12/162
D683,279 S *	5/2013	Borkholder	D12/162
D688,168 S *	8/2013	Buschman	D12/162
D697,838 S *	1/2014	Borkholder	D12/162
D698,287 S *	1/2014	Terpsma	D12/162
D727,803 S *	4/2015	Borkholder	D12/162
9,321,316 B1 *	4/2016	Beal	B60D 1/52
9,505,281 B1 *	11/2016	Borkholder	B60D 1/248
D773,345 S *	12/2016	Borkholder	D12/162

OTHER PUBLICATIONS

Youtube.com. "GENY Hitch Rubber Torsion Flex Drop Receiver Hitch." Uploaded Sep. 7, 2015. Retrieved Jun. 5, 2017. (https://www.youtube.com/watch?v=etq_bwD7LiY).*

* cited by examiner

Primary Examiner — Karen S Acker

Assistant Examiner — Jerry Shiuan-Hua Hsu

(74) *Attorney, Agent, or Firm* — Botkin & Hall, LLP

(57) **CLAIM**

The ornamental design for a torsion receiver hitch, as shown and described.

DESCRIPTION

FIG. 1 is a front isometric view of the torsion receiver hitch; FIG. 2 is a rear isometric view of the torsion receiver hitch; FIG. 3 is a front view of the torsion receiver hitch; FIG. 4 is a rear view of the torsion receiver hitch; FIG. 5 is a top view of the torsion receiver hitch; FIG. 6 is a right side view of the torsion receiver hitch; FIG. 7 is a left side view of the torsion receiver hitch; and, FIG. 8 is a bottom view of the torsion receiver hitch.

The portions of the torsion receiver hitch shown in broken lines are provided to show environment and form no part of the claimed design. The interior cavities of the three vertical stacked tubes terminate at the rear edge.

1 Claim, 7 Drawing Sheets

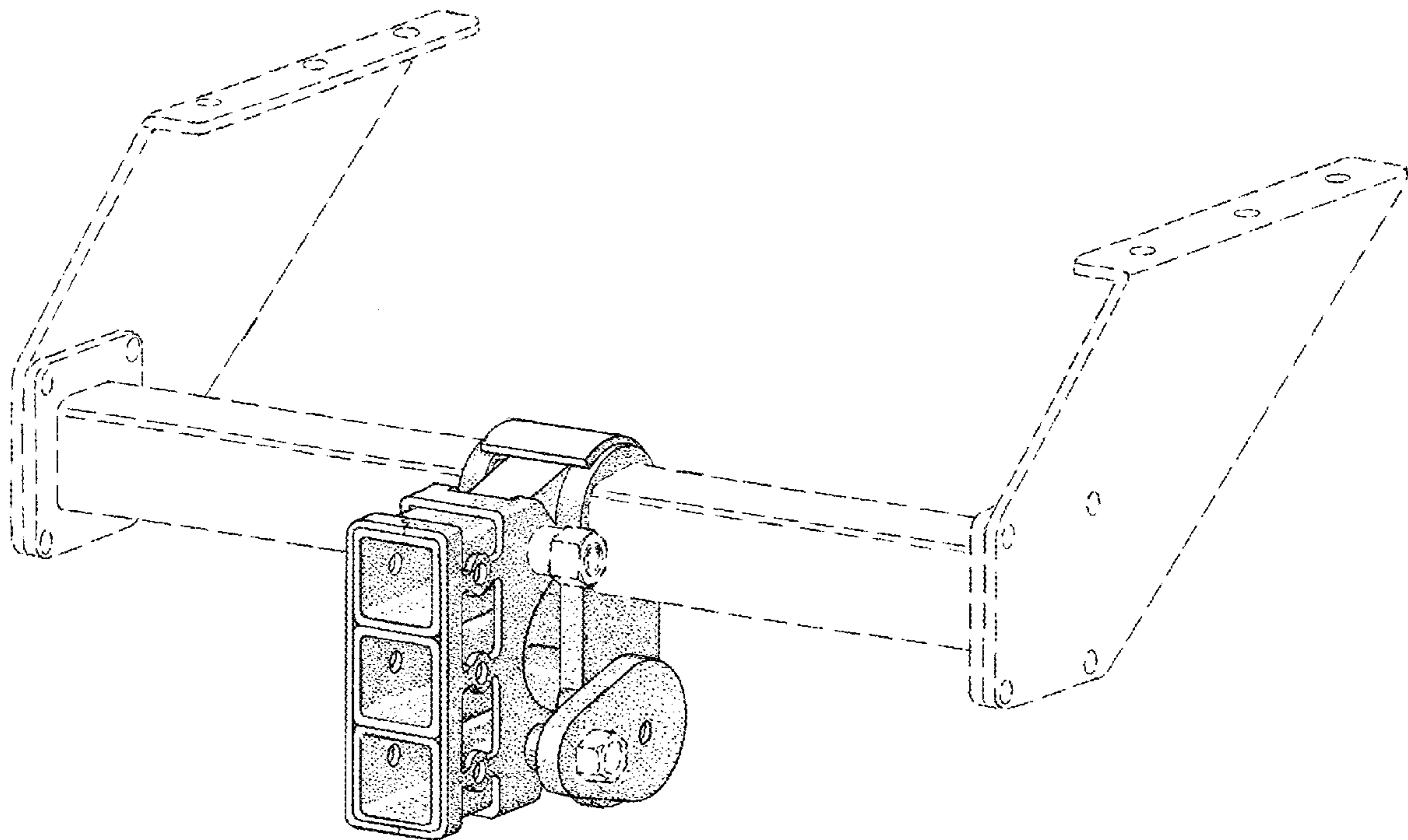
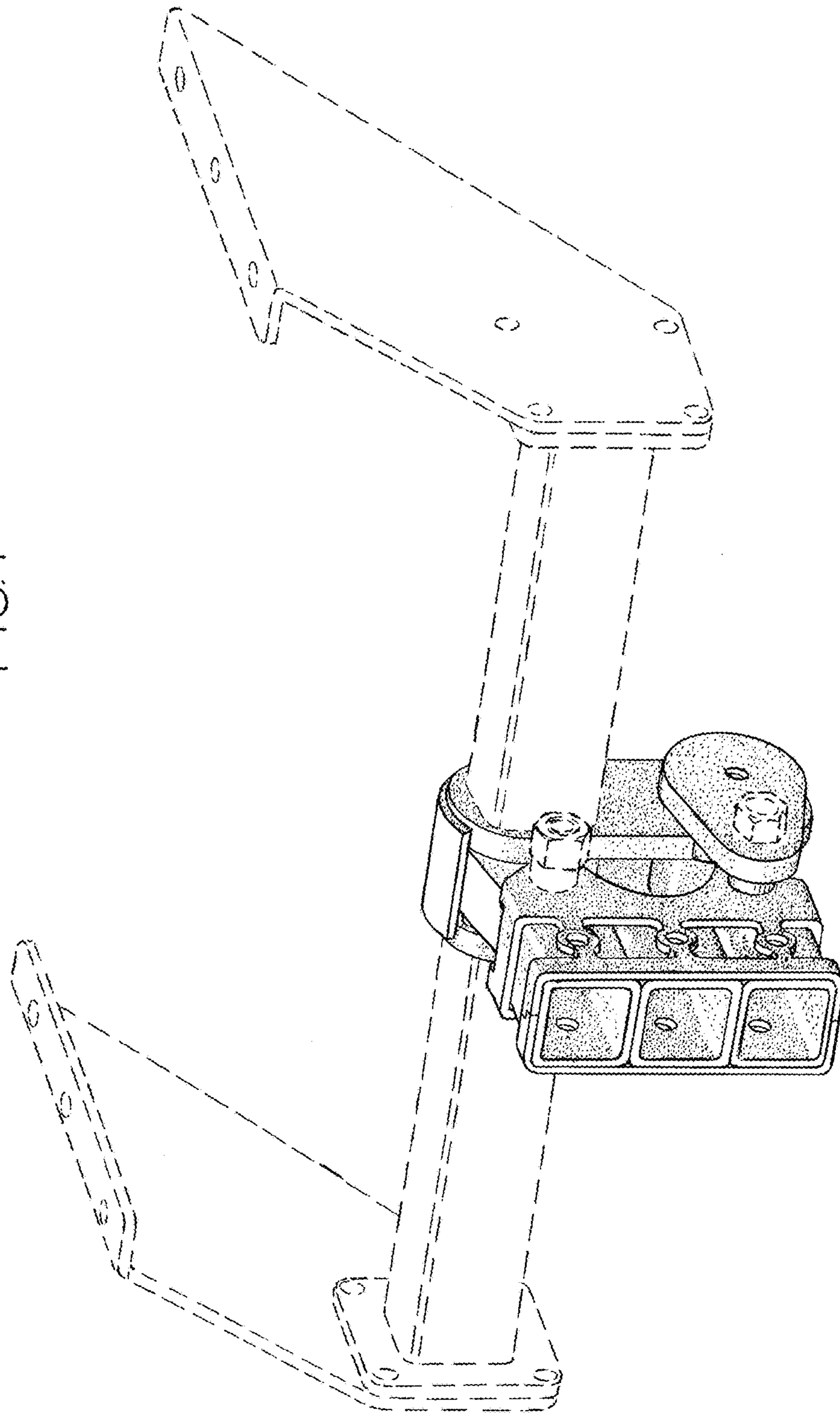
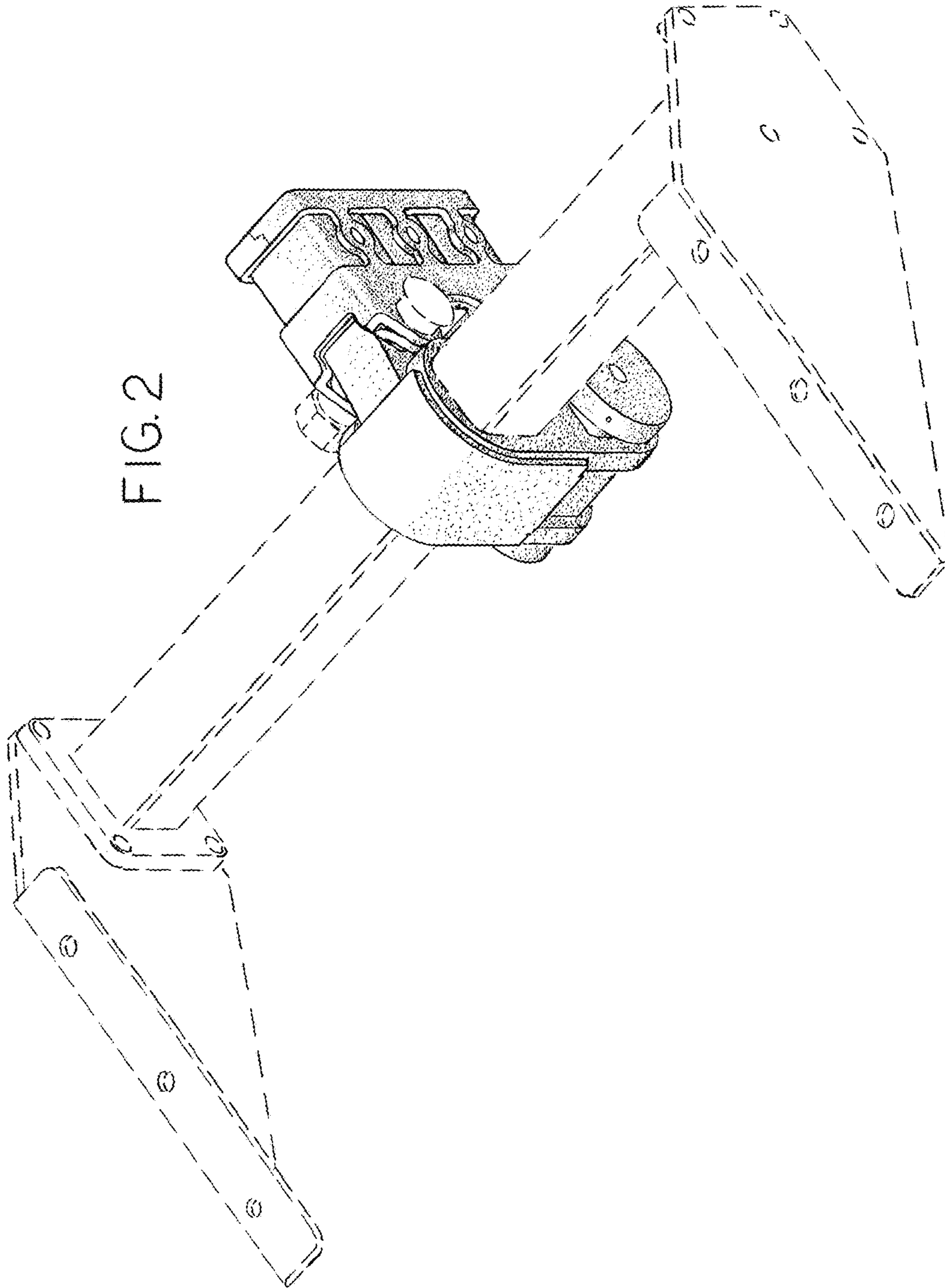


FIG. 1





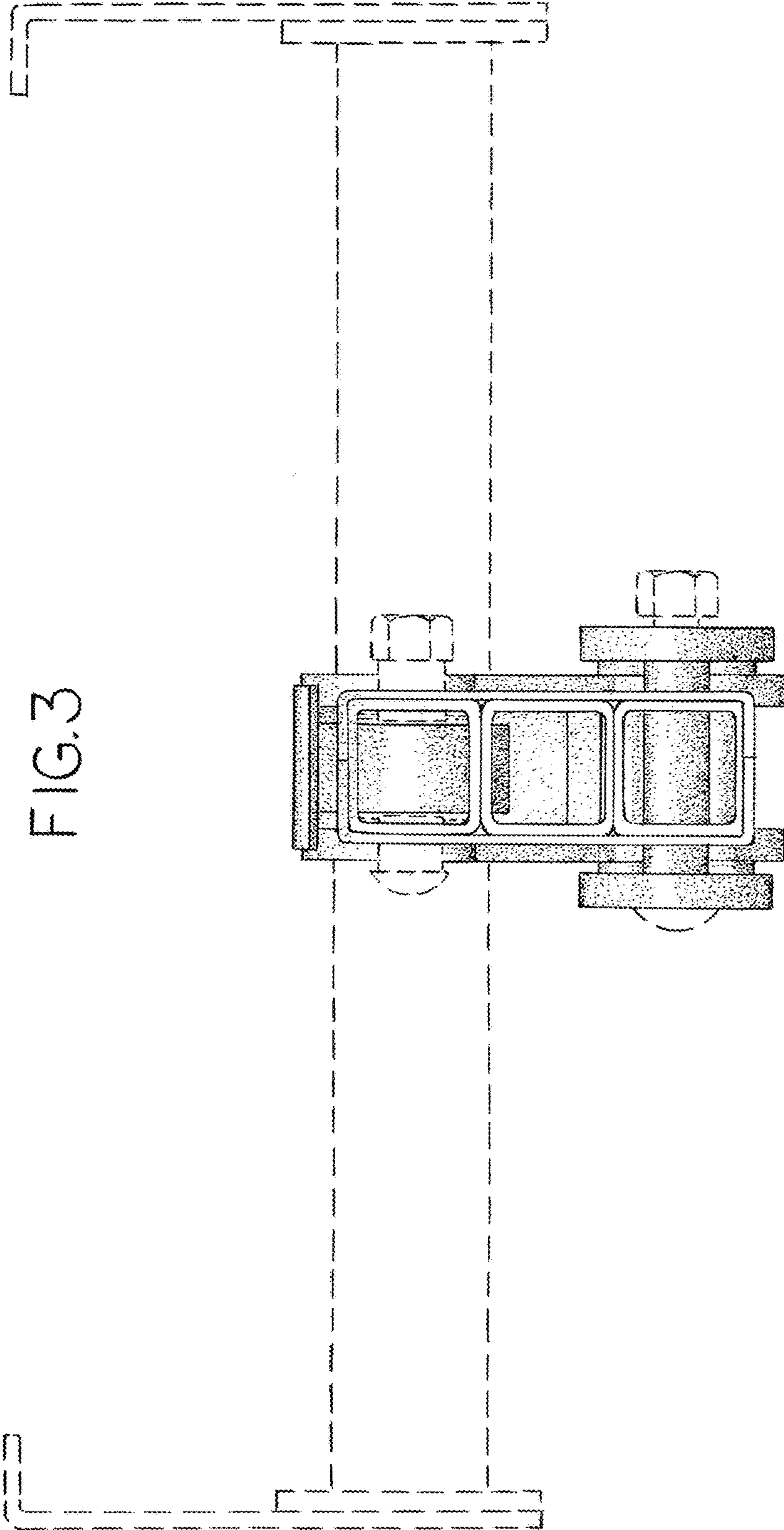
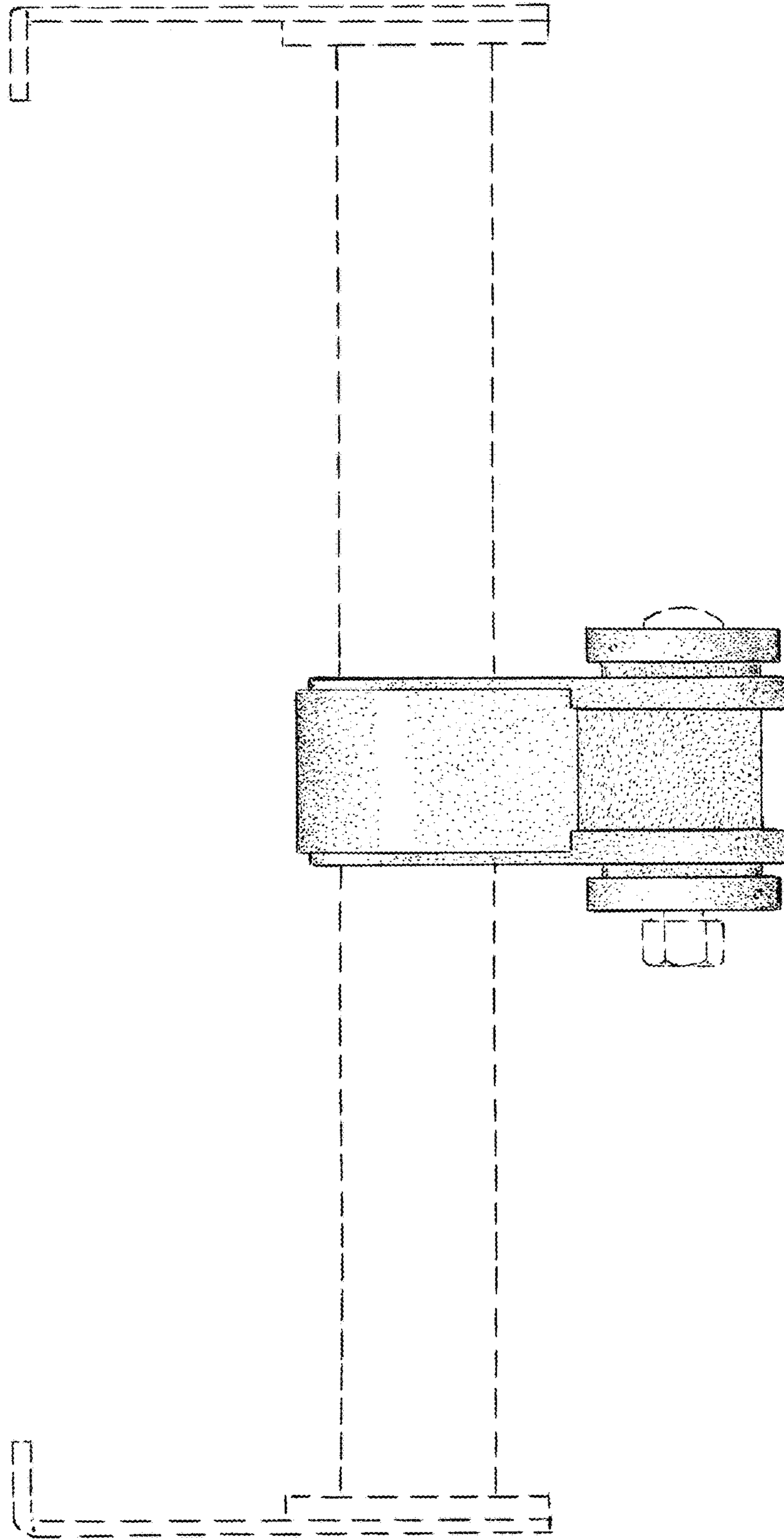
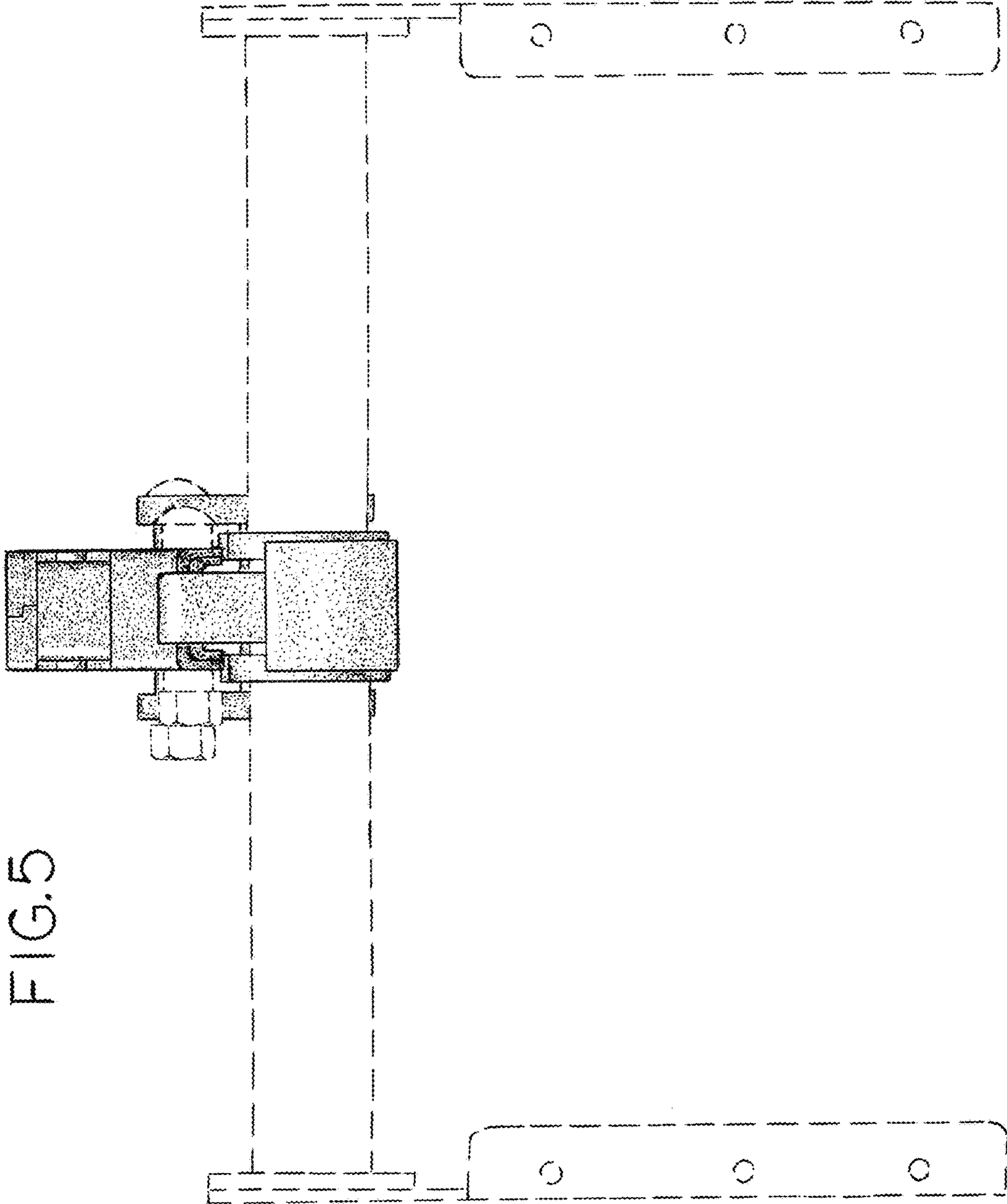
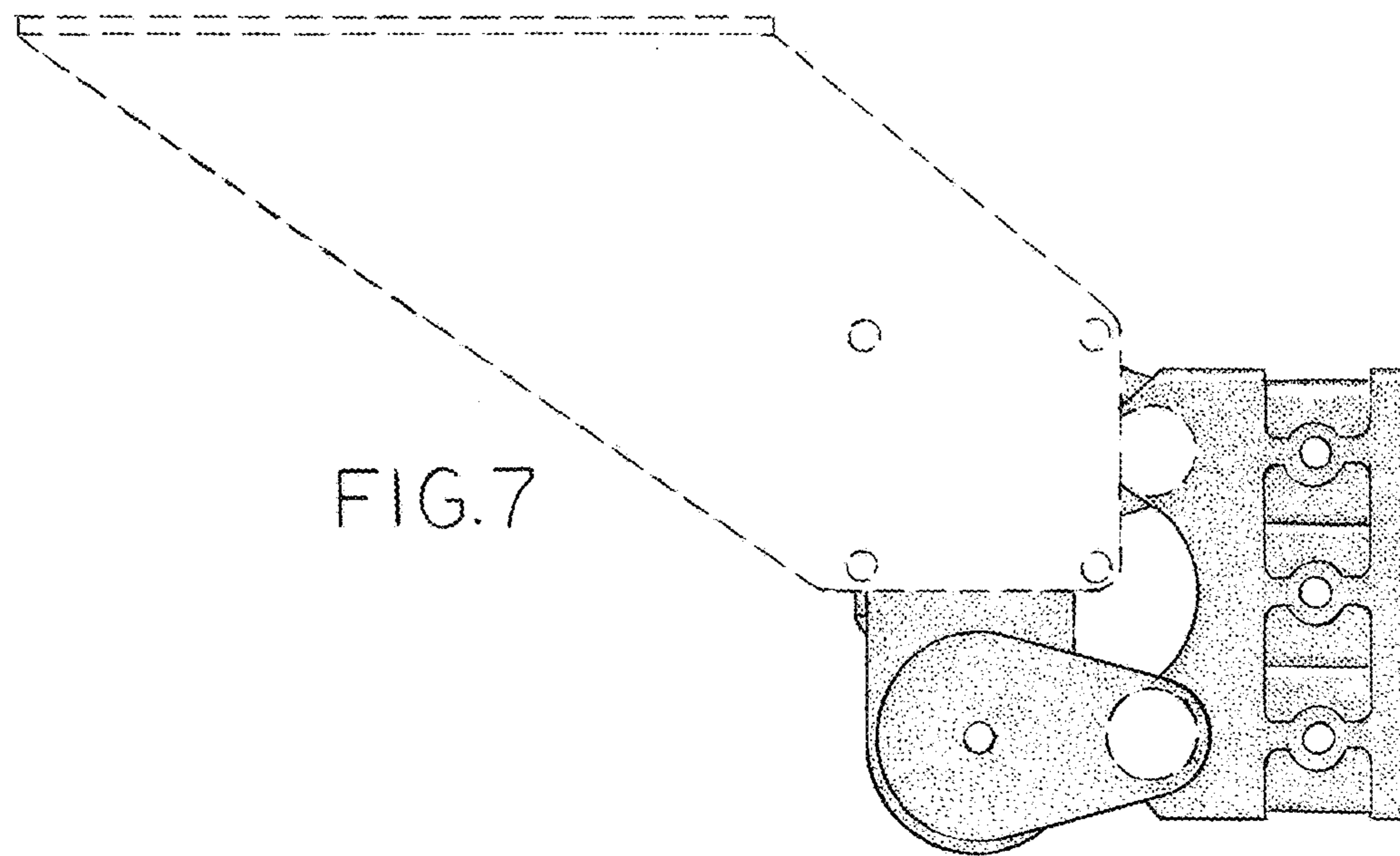
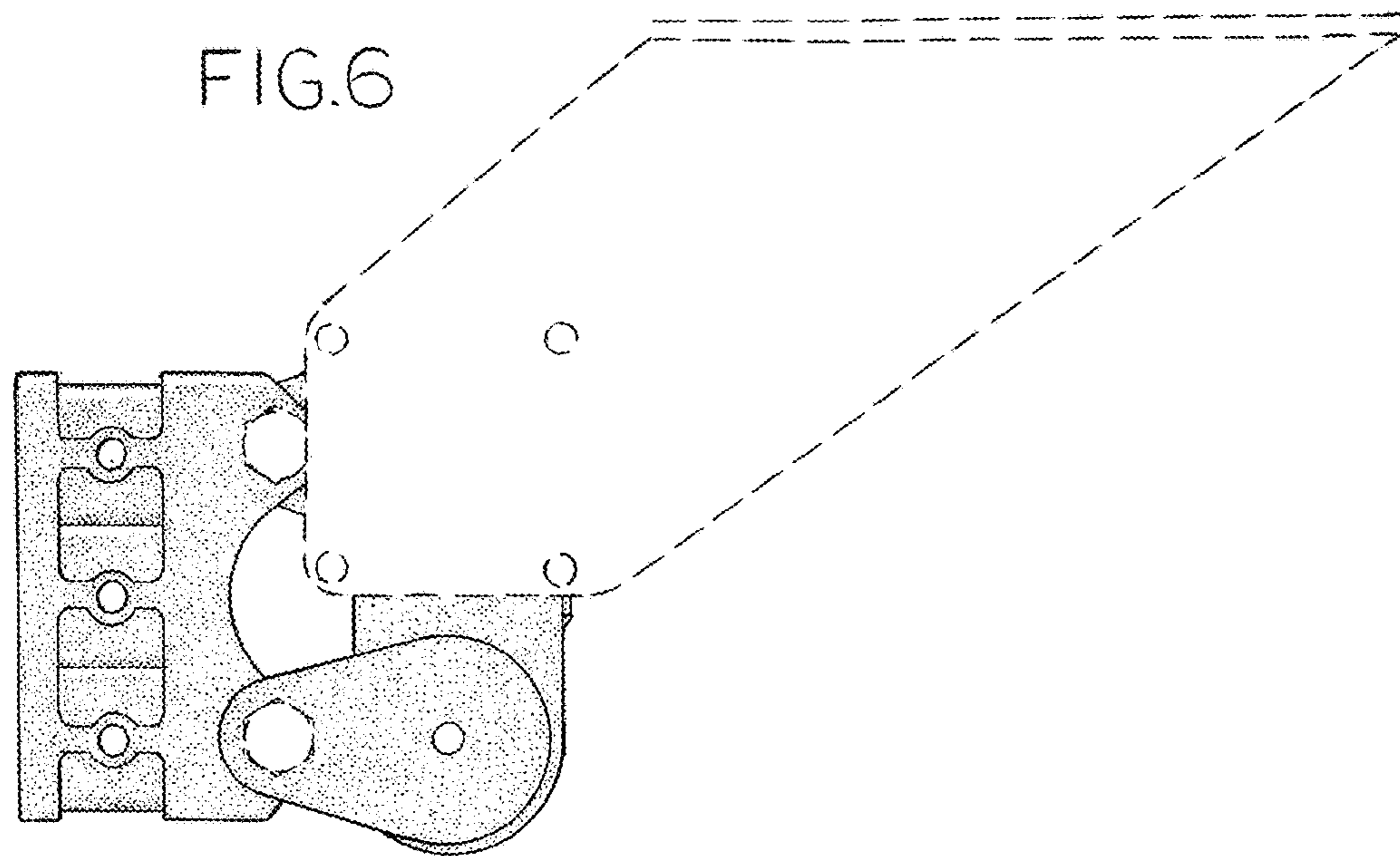


FIG.3

FIG. 4







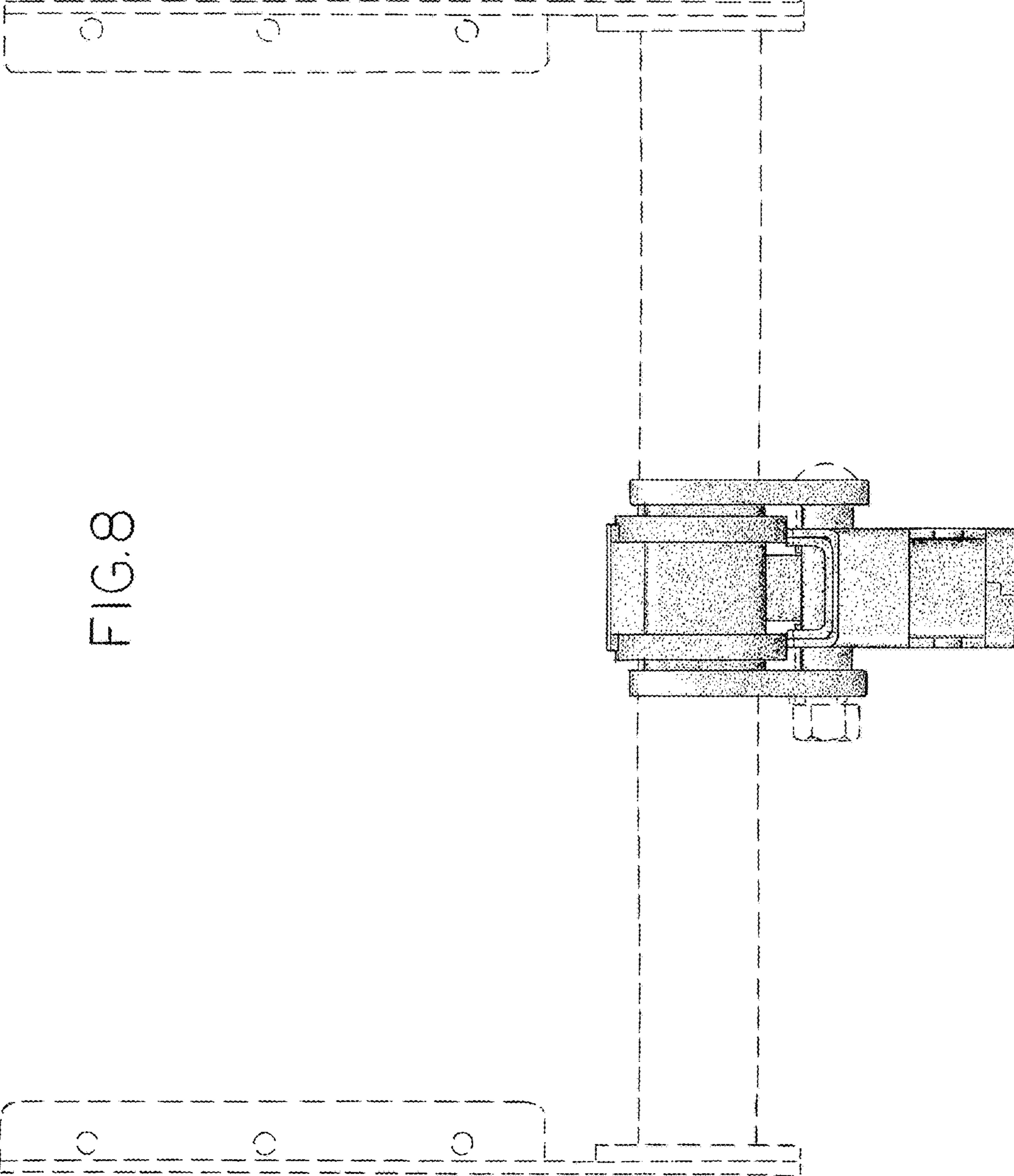


FIG. 8