



US00D828239S

(12) **United States Design Patent**  
**Williams**

(10) **Patent No.:** **US D828,239 S**

(45) **Date of Patent:** **\*\* Sep. 11, 2018**

(54) **DOUBLE PIPE TRAILER HITCH**

(71) Applicant: **Marty Williams**, Colorado Springs, CO  
(US)

(72) Inventor: **Marty Williams**, Colorado Springs, CO  
(US)

(\*\*) Term: **15 Years**

(21) Appl. No.: **29/571,901**

(22) Filed: **Jul. 22, 2016**

(51) **LOC (11) Cl.** ..... **12-16**

(52) **U.S. Cl.**  
USPC ..... **D12/162**

(58) **Field of Classification Search**  
USPC ..... D12/159, 160, 161, 162, 230, 223, 400;  
D15/28  
CPC . B60D 1/065; B60D 1/00; B60D 1/60; B60D  
1/06  
See application file for complete search history.

(56) **References Cited**

U.S. PATENT DOCUMENTS

|              |        |        |       |         |
|--------------|--------|--------|-------|---------|
| D367,632 S * | 3/1996 | Grieve | ..... | D12/162 |
| D373,104 S * | 8/1996 | Miller | ..... | D12/162 |
| D463,333 S * | 9/2002 | McCoy  | ..... | D12/162 |
| D476,272 S * | 6/2003 | Shaver | ..... | D12/162 |
| D485,516 S * | 1/2004 | McCoy  | ..... | D12/162 |
| D527,028 S * | 8/2006 | Ford   | ..... | D12/162 |

|                   |         |            |       |                      |
|-------------------|---------|------------|-------|----------------------|
| D649,496 S *      | 11/2011 | Hubbuck    | ..... | D12/160              |
| D692,802 S *      | 11/2013 | Tollenaere | ..... | D12/162              |
| 8,578,635 B2 *    | 11/2013 | Hill       | ..... | E01H 5/06<br>172/817 |
| D709,803 S *      | 7/2014  | Lancaster  | ..... | D12/162              |
| 2007/0262563 A1 * | 11/2007 | Williams   | ..... | B60D 1/52<br>280/506 |
| 2013/0015221 A1 * | 1/2013  | Williams   | ..... | B60R 9/06<br>224/510 |
| 2015/0321527 A1 * | 11/2015 | Furukawa   | ..... | B60D 1/06<br>280/483 |

\* cited by examiner

*Primary Examiner* — Karen S Acker

*Assistant Examiner* — Jerry Shiuian-Hua Hsu

(74) *Attorney, Agent, or Firm* — Lynette Wylie; Apex  
Juris, pllc.

(57) **CLAIM**

The ornamental design of a double pipe trailer hitch, as shown and described herein.

**DESCRIPTION**

FIG. 1 is a front perspective view of the double pipe trailer hitch.

FIG. 2 is a top plan view thereof.

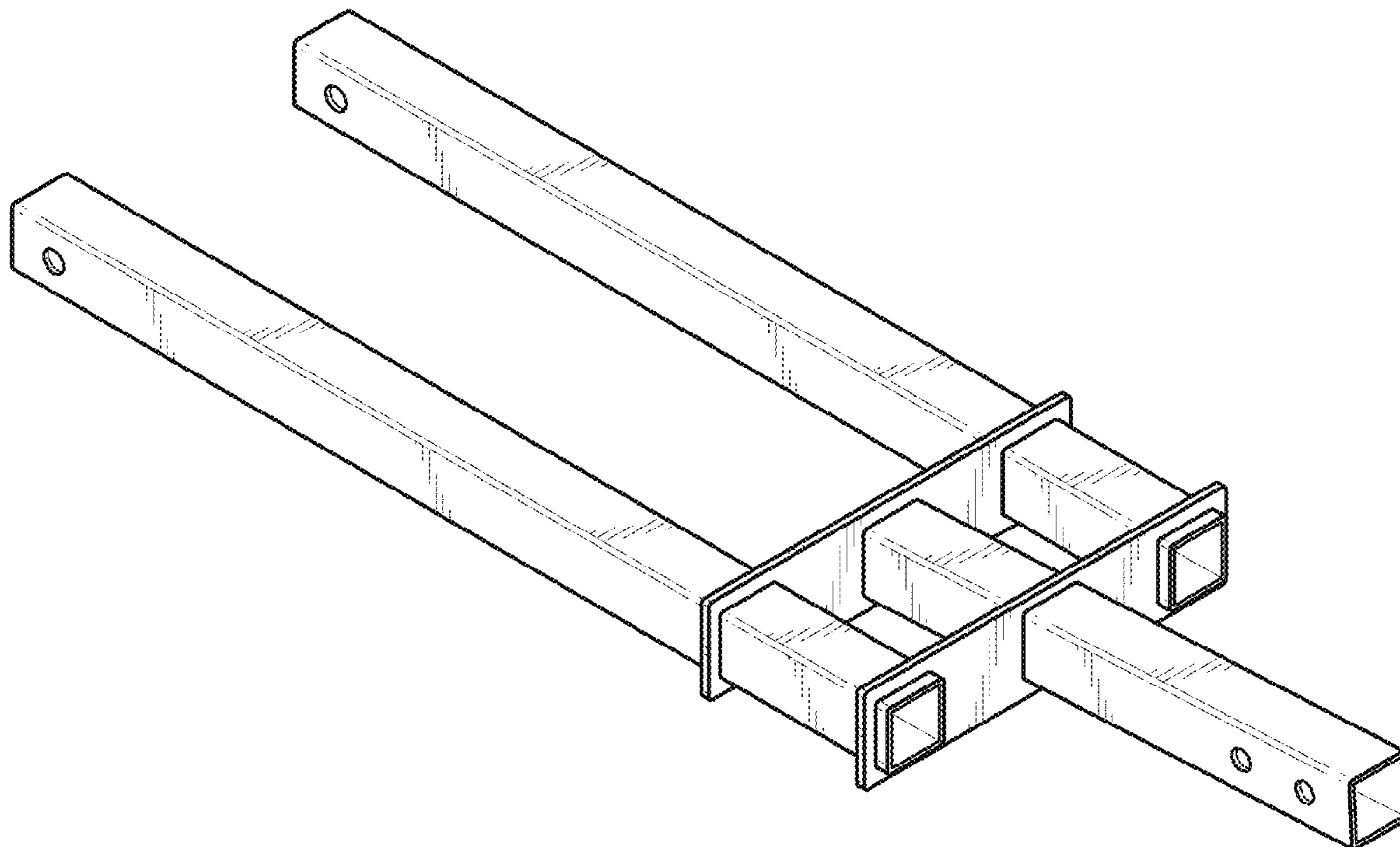
FIG. 3 is a right side elevation view thereof.

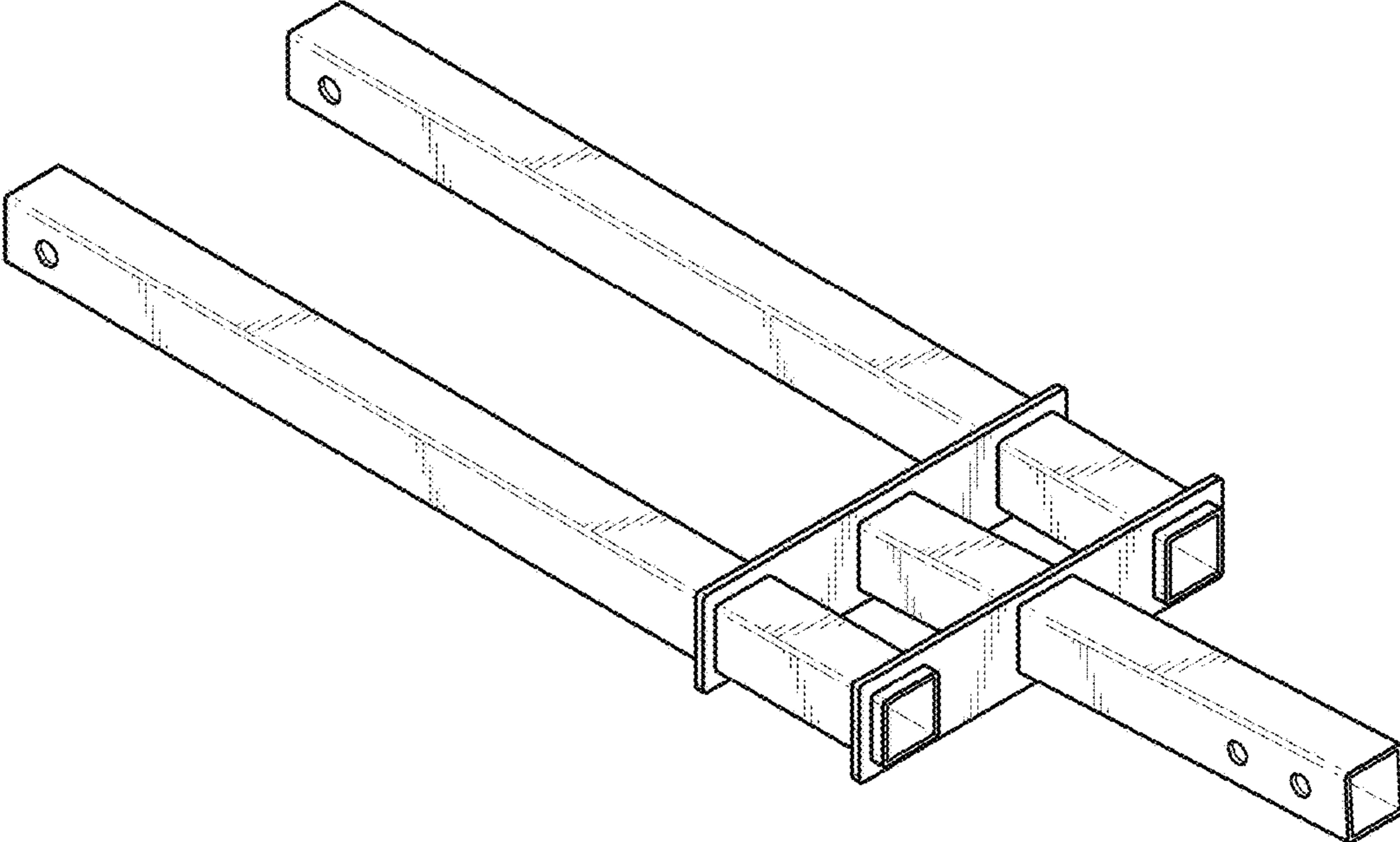
FIG. 4 is a bottom plan view thereof.

FIG. 5 is a front elevation view thereof; and,

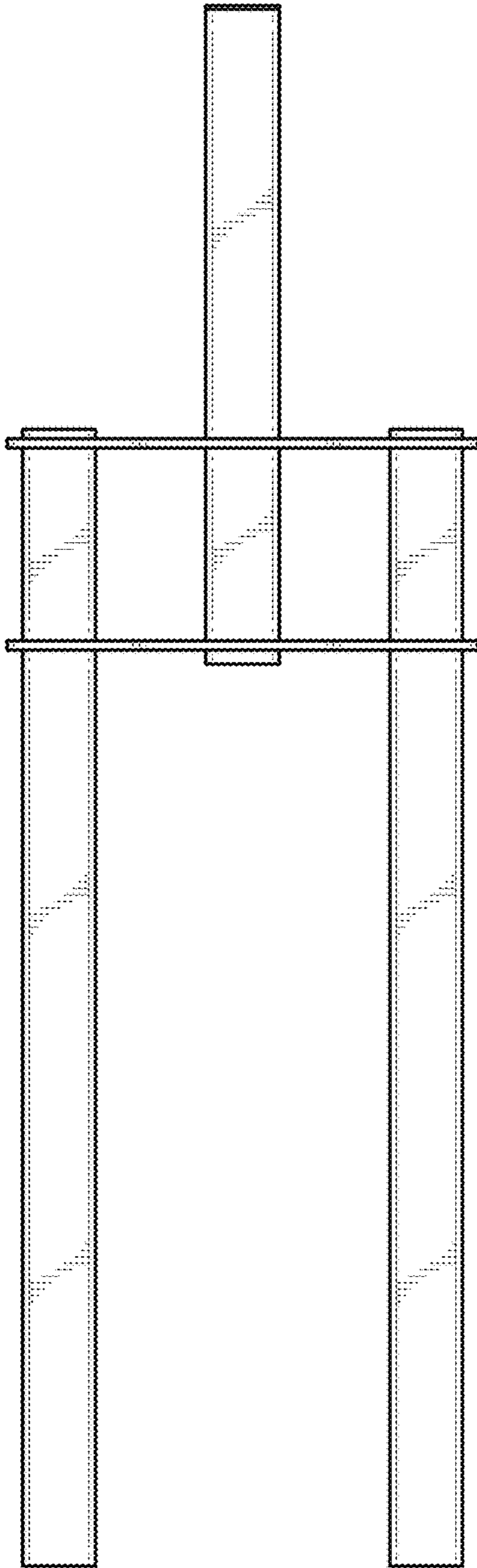
FIG. 6 is a rear elevation view thereof.

**1 Claim, 3 Drawing Sheets**

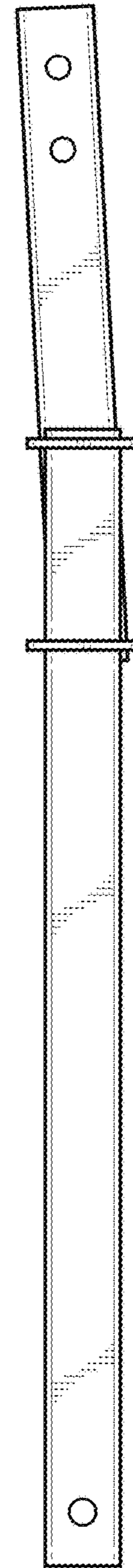




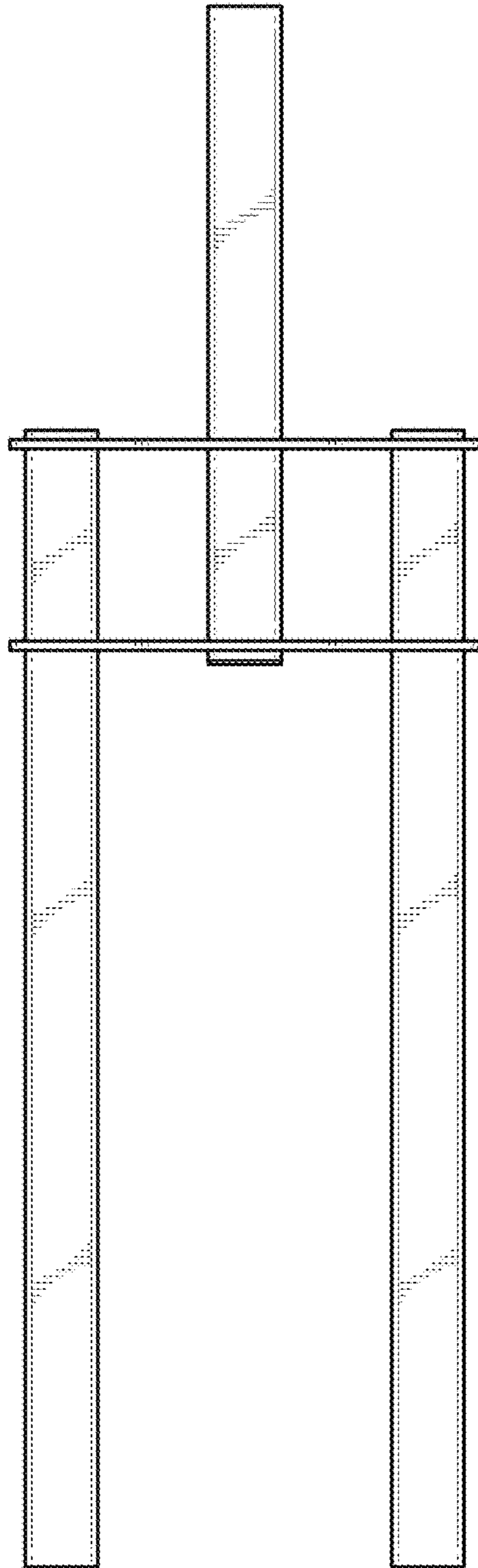
*FIG. 1*



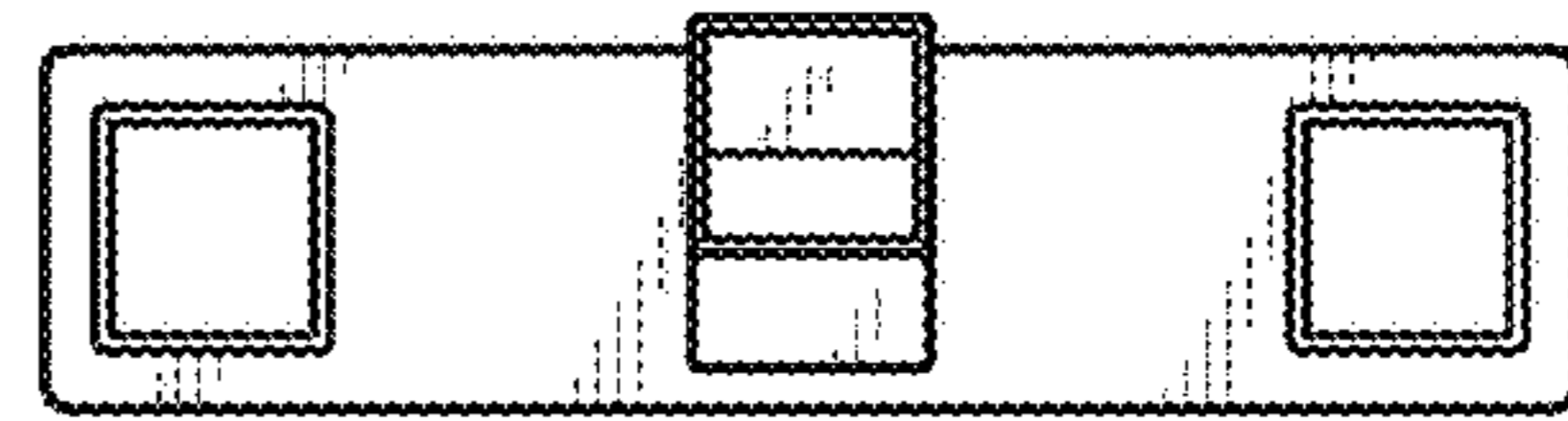
**FIG. 2**



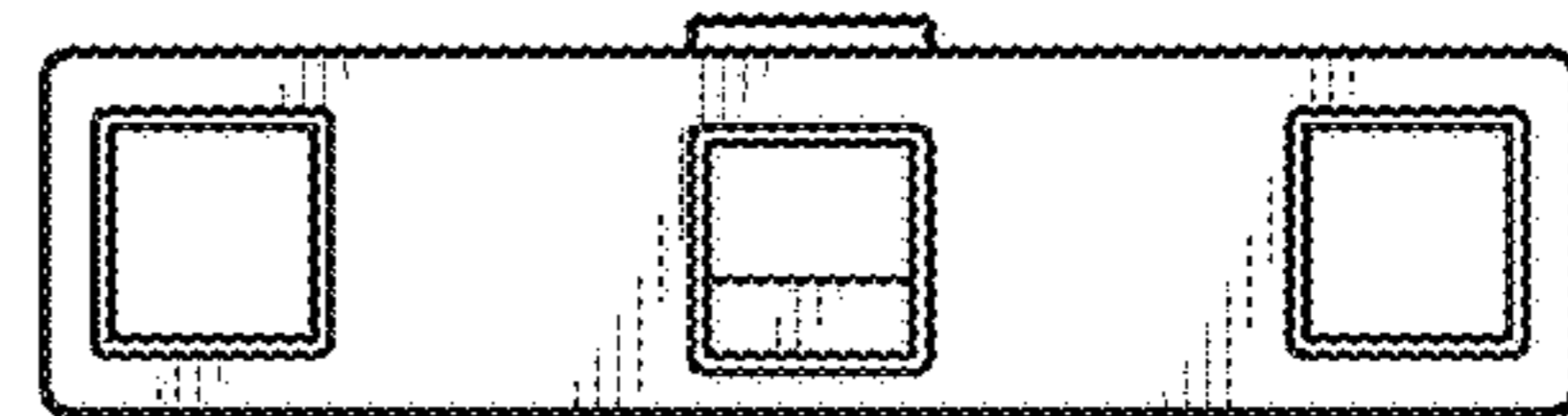
**FIG. 3**



**FIG. 4**



**FIG. 5**



**FIG. 6**