



US00D828238S

(12) **United States Design Patent** (10) **Patent No.:** **US D828,238 S**
Williams et al. (45) **Date of Patent:** **** Sep. 11, 2018**

(54) **DRIVESHAFT CARRIER FLANGE**

(71) Applicant: **Mark Williams Enterprises, Inc.**,
Louisville, CO (US)

(72) Inventors: **Mark Williams**, Louisville, CO (US);
Brandon Klus, Louisville, CO (US)

(**) Term: **15 Years**

(21) Appl. No.: **29/568,258**

(22) Filed: **Jun. 16, 2016**

(51) **LOC (11) Cl.** **12-16**

(52) **U.S. Cl.**
USPC **D12/159**; D15/143

(58) **Field of Classification Search**
USPC D12/159-162; D15/143
CPC B60K 17/24
See application file for complete search history.

(56) **References Cited**

U.S. PATENT DOCUMENTS

D30,629 S * 4/1899 McConnell D12/161
2,687,926 A * 8/1954 Gair B60K 17/24
384/536
3,989,323 A * 11/1976 Lambert F16C 33/60
384/434
4,571,098 A * 2/1986 Rudnik F16C 33/6622
384/474
D297,942 S * 10/1988 Somarakis D15/143
4,960,334 A * 10/1990 Mazziotti B60K 17/24
384/478
D341,605 S * 11/1993 Waskiewicz D15/143

(Continued)

FOREIGN PATENT DOCUMENTS

JP 2001187918 A * 7/2001 B60K 17/24

OTHER PUBLICATIONS

Land Rover/Range Rover driveshaft center support bearing mount,
posted at Ukar Auto, posting date not available. [online] [site visited

Feb. 9, 2018]. Available from Internet <URL:https://ukarauto.com/
range-rover/1180-land-range-rover-drive-shaft-driveshaft-center-
support-bearing-mount-toq000050.html>.*

(Continued)

Primary Examiner — Kevin K Rudzinski
Assistant Examiner — Kathleen L Jones

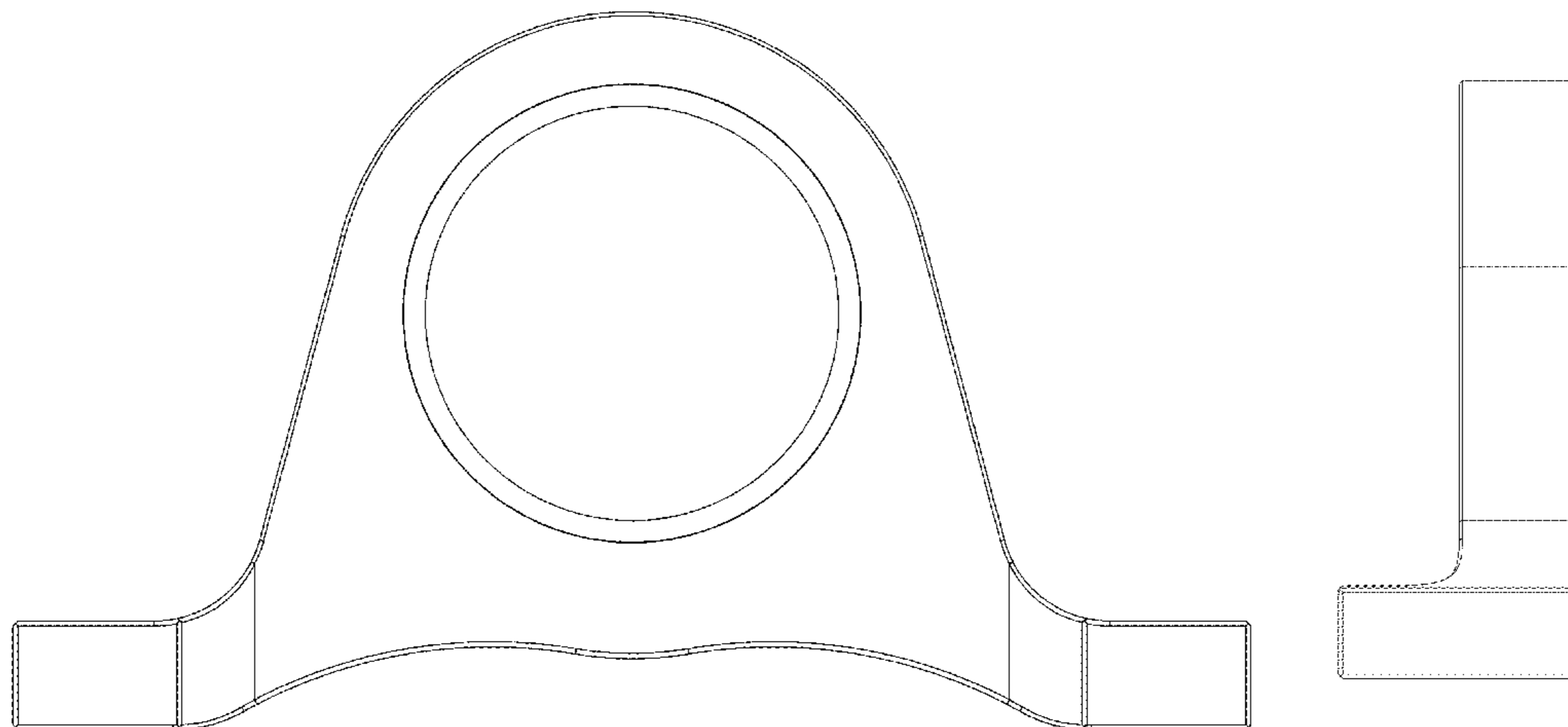
(57) **CLAIM**

The ornamental design for a driveshaft carrier flange, as
shown and described.

DESCRIPTION

FIG. 1 is a front view of a driveshaft carrier flange showing
our new design;
FIG. 2 is a rear view thereof;
FIG. 3 is a side view thereof;
FIG. 4 is a top view thereof;
FIG. 5 is a bottom view thereof;
FIG. 6 is a top front perspective view thereof, with a portion
of a driveshaft carried by the driveshaft carrier flange shown
in broken line;
FIG. 7 is a bottom front perspective view thereof, with a
portion of a driveshaft carried by the driveshaft carrier
flange shown in broken line;
FIG. 8 is a bottom rear perspective view thereof, with a
portion of a driveshaft carried by the driveshaft carrier
flange shown in broken line;
FIG. 9 is a side view thereof, with the driveshaft carrier
flange shown assembled to a driveshaft shown in broken
line;
FIG. 10 is a top view thereof, with the driveshaft carrier
flange shown assembled to a driveshaft shown in broken
line; and,
FIG. 11 is a top front perspective view thereof, with the
driveshaft carrier flange shown assembled to a driveshaft
shown in broken line.
The broken lines illustrate portions of a driveshaft to which
the driveshaft carrier flange can be assembled and form no
part of the claimed design.

1 Claim, 10 Drawing Sheets



(56)

References Cited

U.S. PATENT DOCUMENTS

5,452,957 A * 9/1995 Duggan B60K 17/24
 384/535
 D376,160 S * 12/1996 Waskiewicz D15/143
 D395,026 S * 6/1998 McCoy D12/162
 D427,217 S * 6/2000 Ostling D15/143
 D616,004 S * 5/2010 Andersson D15/143
 D624,855 S * 10/2010 Hsu D12/159
 8,646,566 B1 * 2/2014 Bouzit B60K 17/24
 180/376
 D716,352 S * 10/2014 Jansson D15/123
 9,856,911 B2 * 1/2018 Yoo F16C 27/066
 9,862,269 B2 * 1/2018 Roberts B60K 17/24
 2001/0017954 A1 * 8/2001 Borsch B60K 17/24
 384/536
 2007/0065062 A1 * 3/2007 Roth B60K 17/24
 384/536
 2007/0172167 A1 * 7/2007 Lew B60K 17/24
 384/536
 2010/0032542 A1 * 2/2010 Heitkamp B60K 17/24
 248/548
 2011/0024216 A1 * 2/2011 Angeletti B60K 6/105
 180/165
 2011/0114815 A1 * 5/2011 Valovick B60K 17/24
 248/560

2014/0144023 A1 * 5/2014 Cerimeli B60K 17/22
 29/897.2
 2014/0151144 A1 * 6/2014 Bouzit B60K 17/24
 180/376
 2015/0167744 A1 * 6/2015 Yoo F16C 35/047
 384/456
 2016/0075231 A1 * 3/2016 Mori B60K 17/24
 248/674
 2016/0243935 A1 * 8/2016 Yun B60K 17/24
 2016/0305475 A1 * 10/2016 Yoo F16C 27/066
 2017/0253117 A1 * 9/2017 Oomiya B60K 17/24

OTHER PUBLICATIONS

Driveshaft support bearings, posted at SKF, posting date Jan. 8, 2014. [online] [site visited Feb. 9, 2018]. Available from Internet <URL: <https://web.archive.org/web/20140108224005/http://www.skf.com/ca/en/products/vehicle-aftermarket/heavy-duty/driveline/driveshaft-support-bearings/index.html>> (Year: 2014).*

QuadBoss Center Drive Shaft Support Bearing, posted at MotoSport, posting date Sep. 26, 2015. [online] [site visited Feb. 9, 2018]. Available from Internet <URL: <https://web.archive.org/web/20150926111132/https://www.motosport.com/quadboss-center-drive-shaft-support-bearing>> (Year: 2015).*

Photos of prior design of Hellcat driveshaft // Date: Prior to May 23, 2016.

* cited by examiner

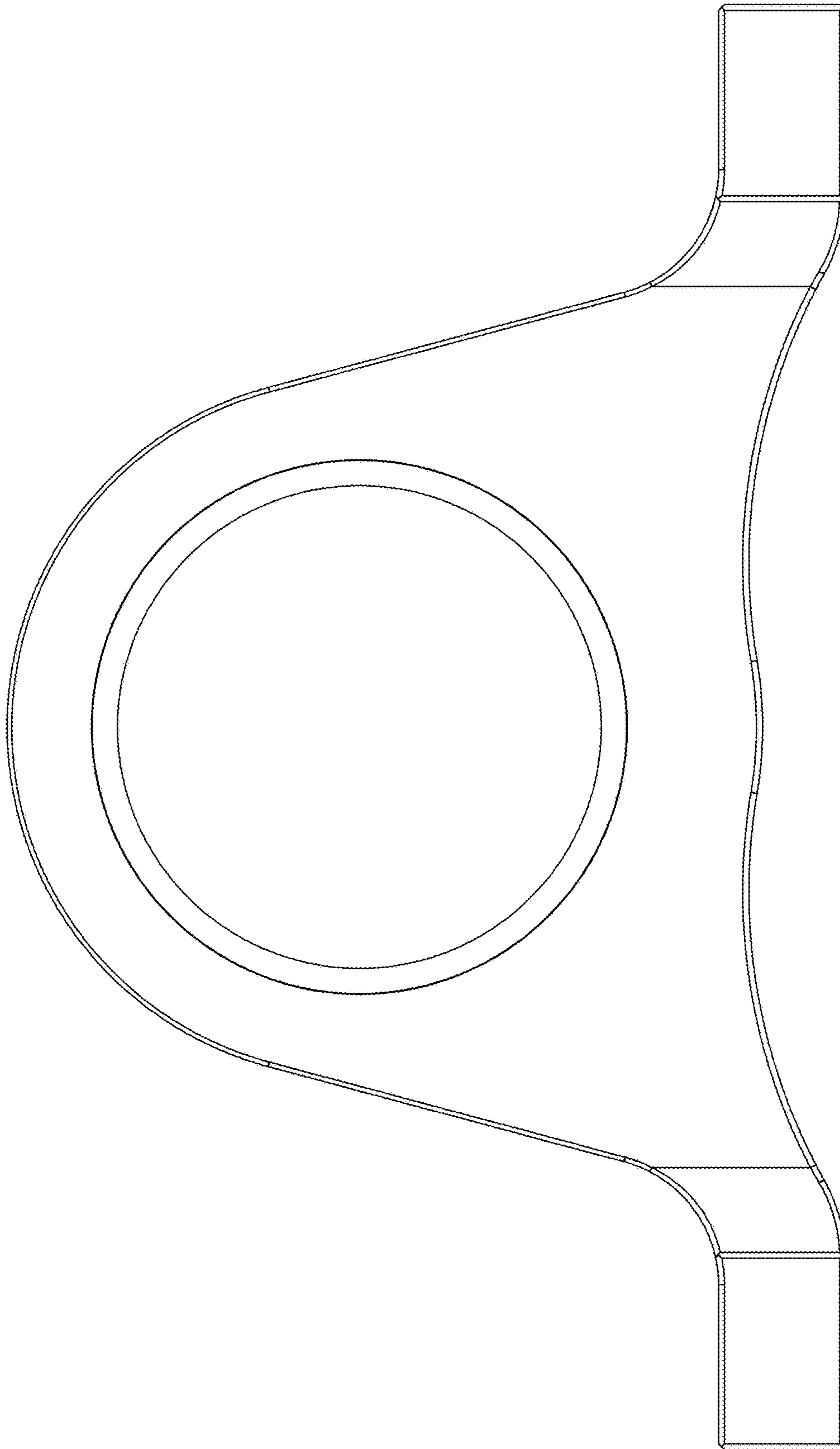


FIG. 1

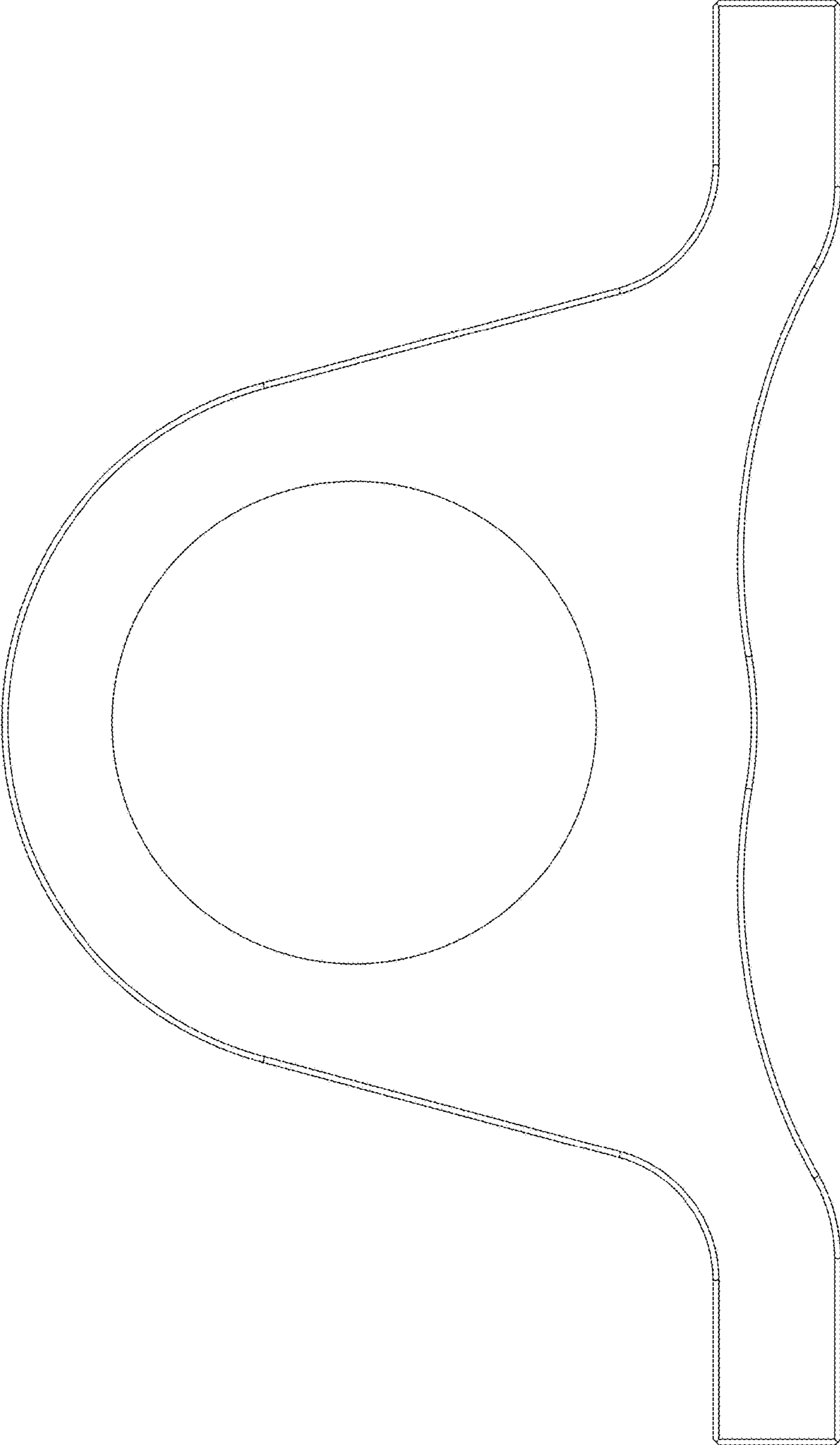


FIG. 2

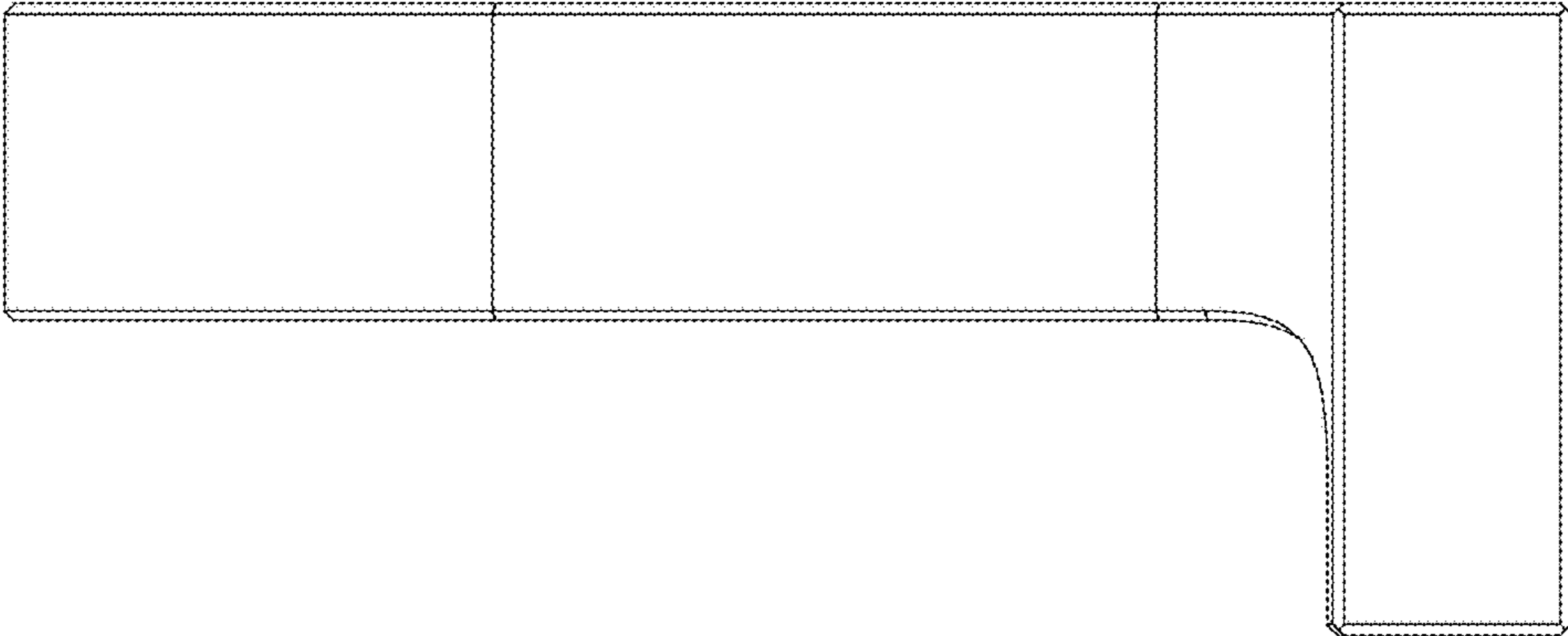


FIG. 3

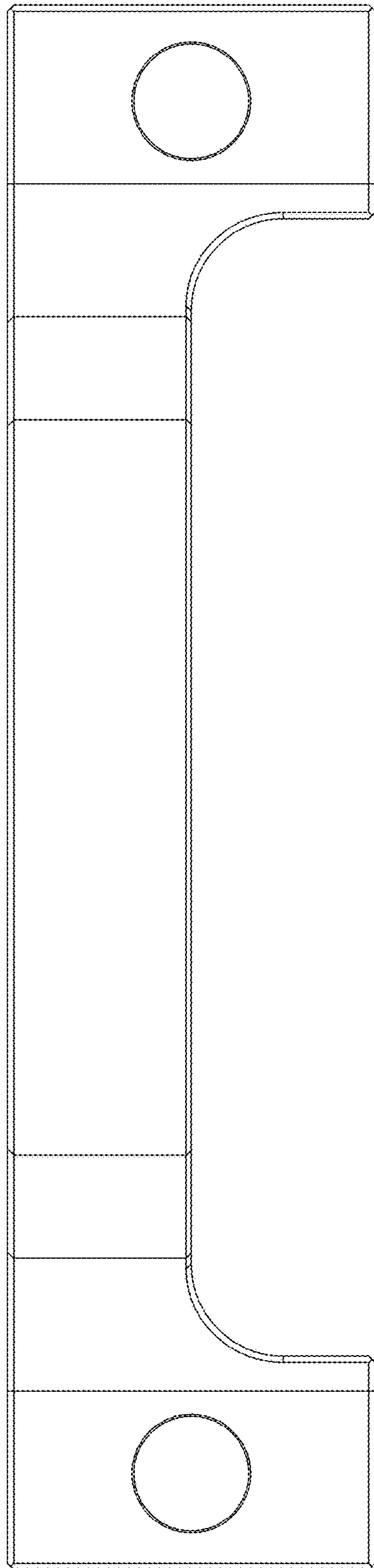


FIG. 4

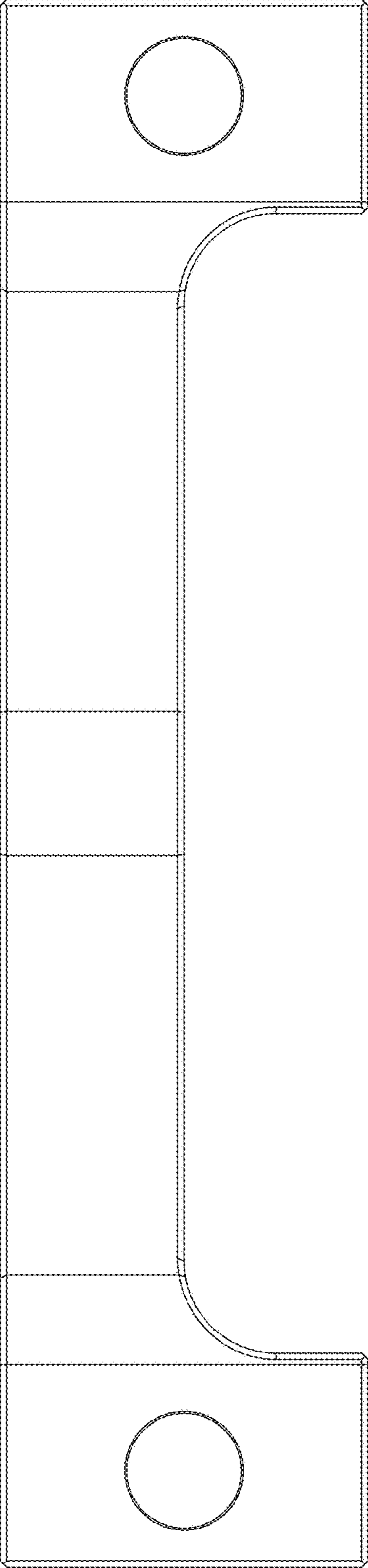


FIG. 5

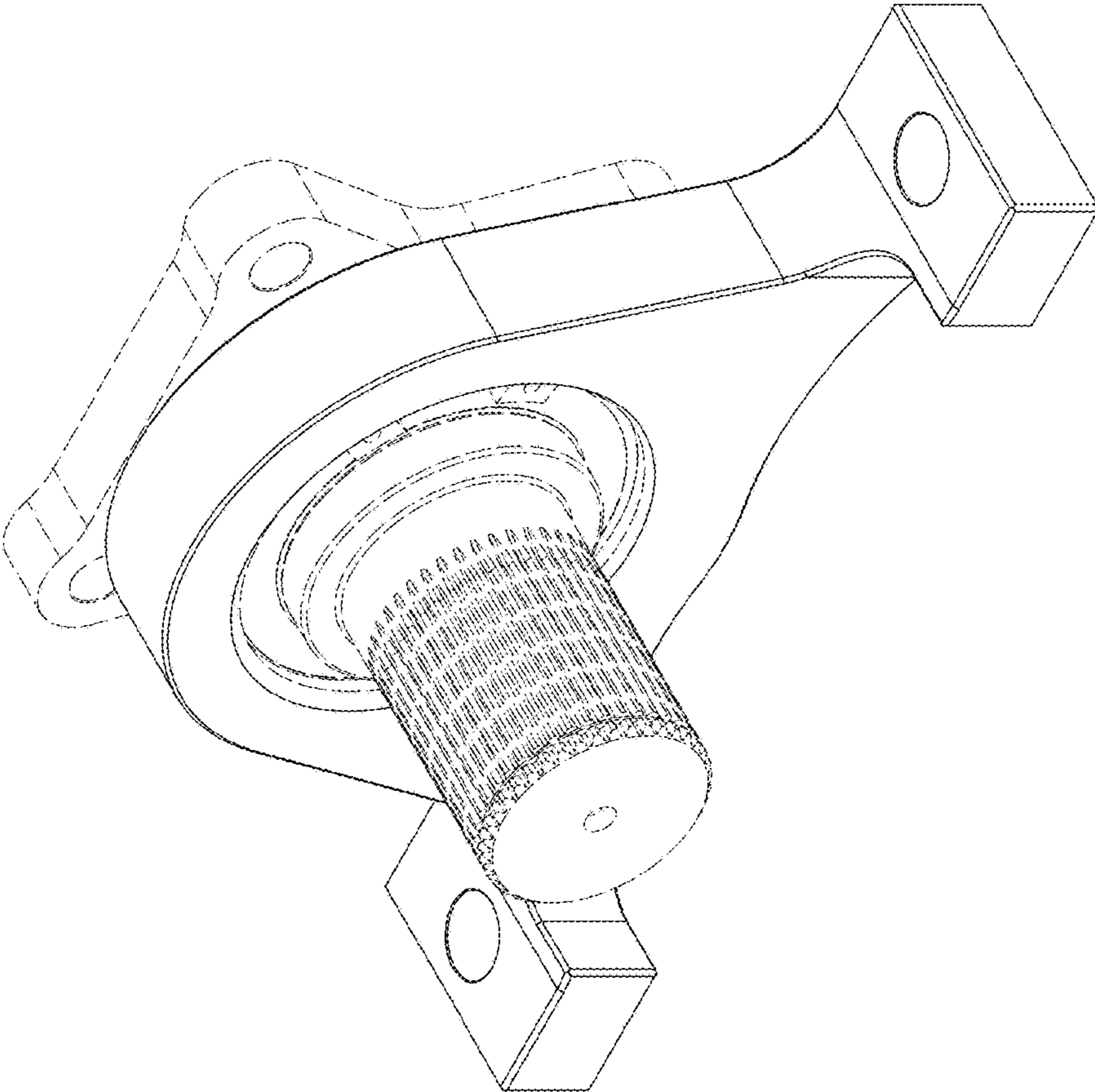


FIG. 6

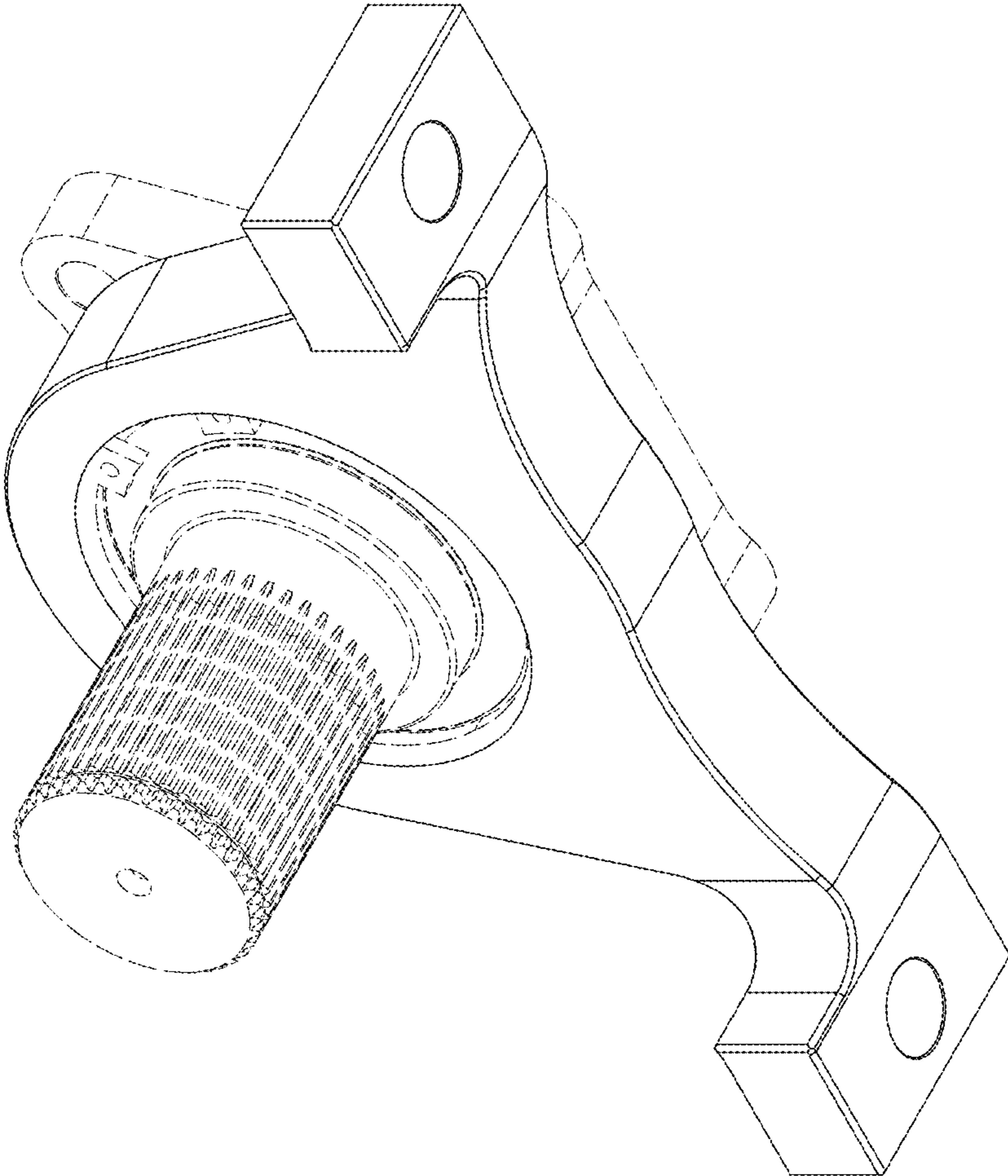


FIG. 7

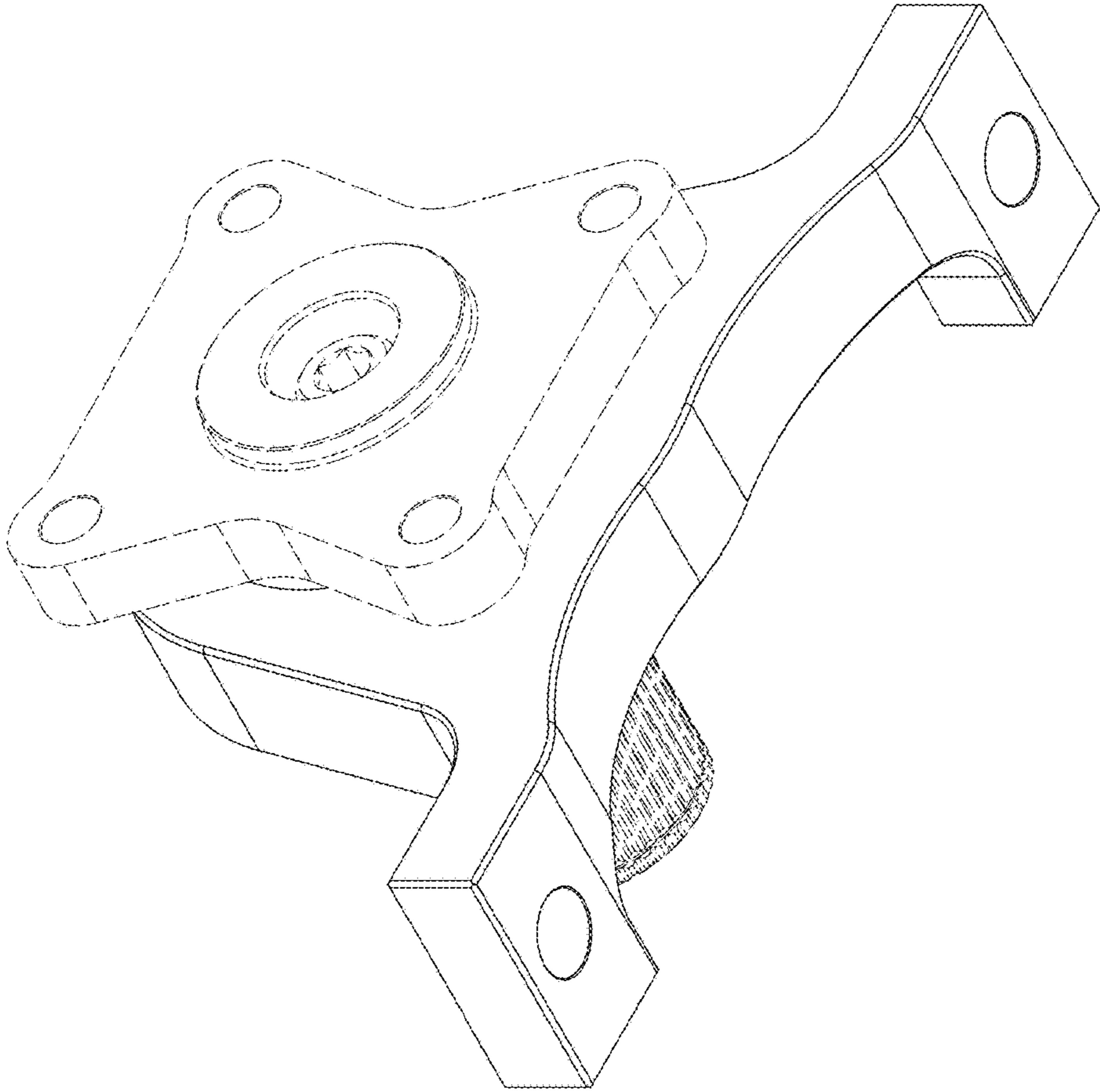


FIG. 8

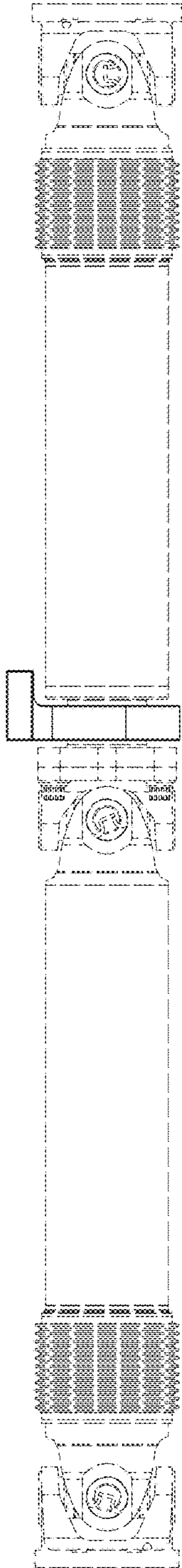


FIG. 9

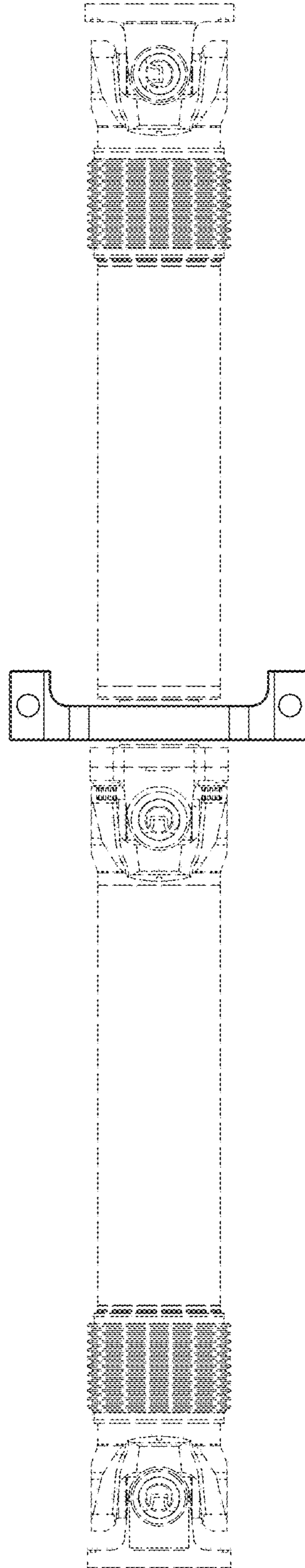


FIG. 10

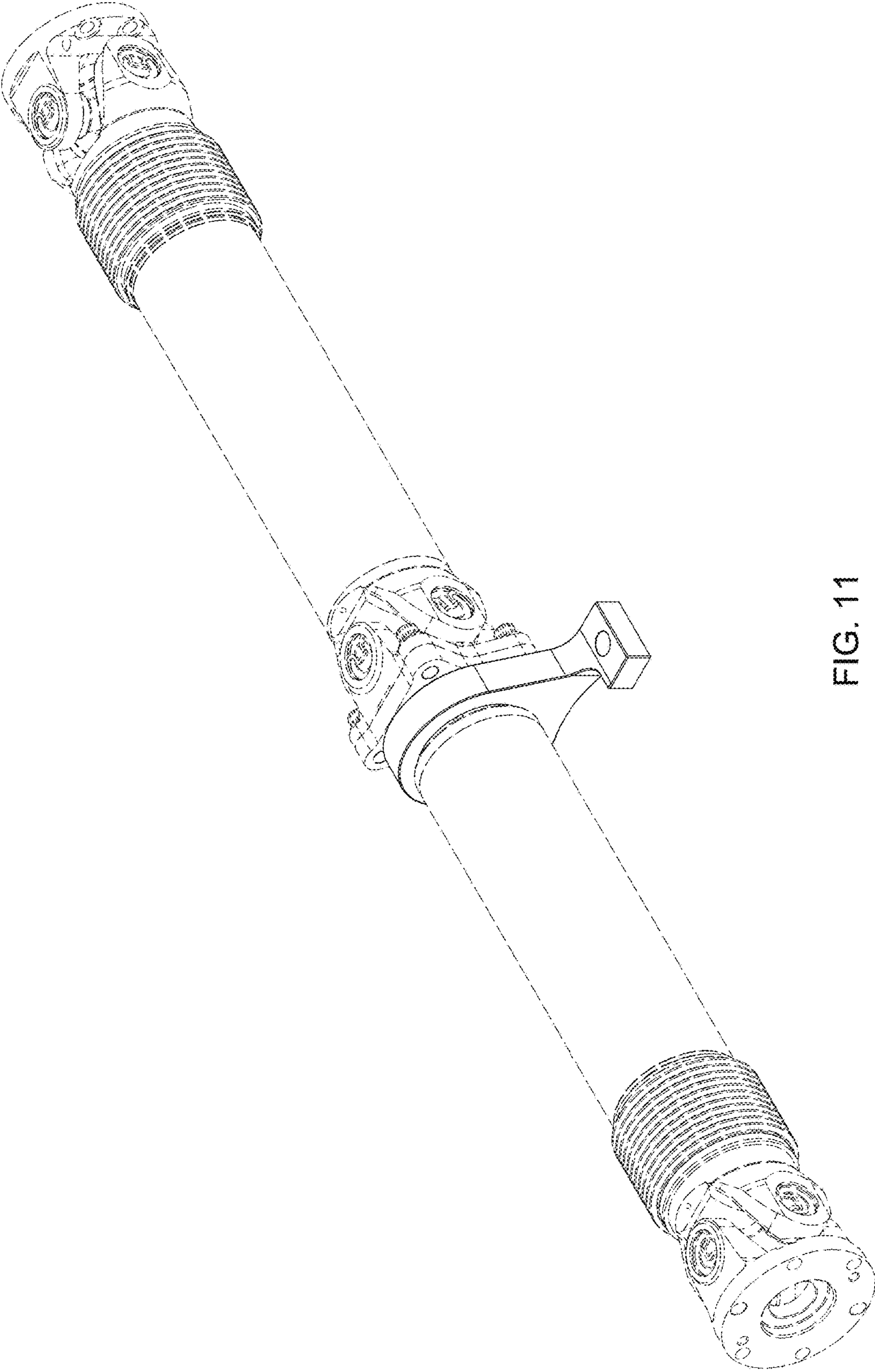


FIG. 11