



US00D828237S

(12) **United States Design Patent**  
**El Harfaoui**

(10) **Patent No.:** **US D828,237 S**  
(45) **Date of Patent:** **\*\* Sep. 11, 2018**

(54) **INFANT WALKER**  
(71) Applicant: **Abdellah El Harfaoui**, Stockholm (SE)  
(72) Inventor: **Abdellah El Harfaoui**, Stockholm (SE)  
(\*\*) Term: **15 Years**  
(21) Appl. No.: **29/580,833**  
(22) Filed: **Oct. 13, 2016**  
(51) **LOC (11) Cl.** ..... **12-12**  
(52) **U.S. Cl.**  
USPC ..... **D12/130**  
(58) **Field of Classification Search**  
USPC ..... D12/130  
CPC .... A47D 13/043; A47D 13/107; A47D 13/04;  
A47D 13/005; A47D 3/00  
See application file for complete search history.

4,953,851 A \* 9/1990 Sherlock ..... A61H 3/04  
237/6  
5,083,806 A \* 1/1992 Brown ..... A47D 13/043  
248/188.5  
5,224,717 A \* 7/1993 Lowen ..... A61H 3/04  
135/67  
D408,766 S \* 4/1999 Rodgers ..... D12/130  
D420,624 S \* 2/2000 Gonzalez ..... D12/130  
6,170,840 B1 \* 1/2001 Mathias ..... A63B 69/0064  
135/69  
6,527,285 B1 \* 3/2003 Calandro, II ..... A61H 3/04  
280/650  
D507,212 S \* 7/2005 Tomlinson ..... D12/130  
D557,511 S \* 12/2007 Fore ..... D6/333  
7,735,499 B1 \* 6/2010 Pennise ..... A61H 3/04  
135/67  
D700,872 S \* 3/2014 Mograbi ..... D12/130

\* cited by examiner

*Primary Examiner* — Charles D Hanson  
(74) *Attorney, Agent, or Firm* — Renner, Otto, Boisselle  
& Sklar, LLP

(56) **References Cited**

**U.S. PATENT DOCUMENTS**

2,316,100 A \* 4/1943 Nelson ..... A47D 13/043  
280/87.05  
3,337,230 A \* 8/1967 Golding ..... A47D 13/043  
16/44  
D213,550 S \* 3/1969 Carpenter ..... D12/130  
4,245,850 A \* 1/1981 Boudreau ..... B62B 7/06  
280/644  
4,342,465 A \* 8/1982 Stillings ..... A61H 3/04  
135/67  
4,621,804 A \* 11/1986 Mueller ..... A47D 13/043  
135/67  
4,773,639 A \* 9/1988 Graves ..... A47D 13/04  
297/5  
4,826,151 A \* 5/1989 Nuredin ..... A63B 21/0004  
297/423.38  
4,941,497 A \* 7/1990 Prather ..... A61H 3/008  
135/67

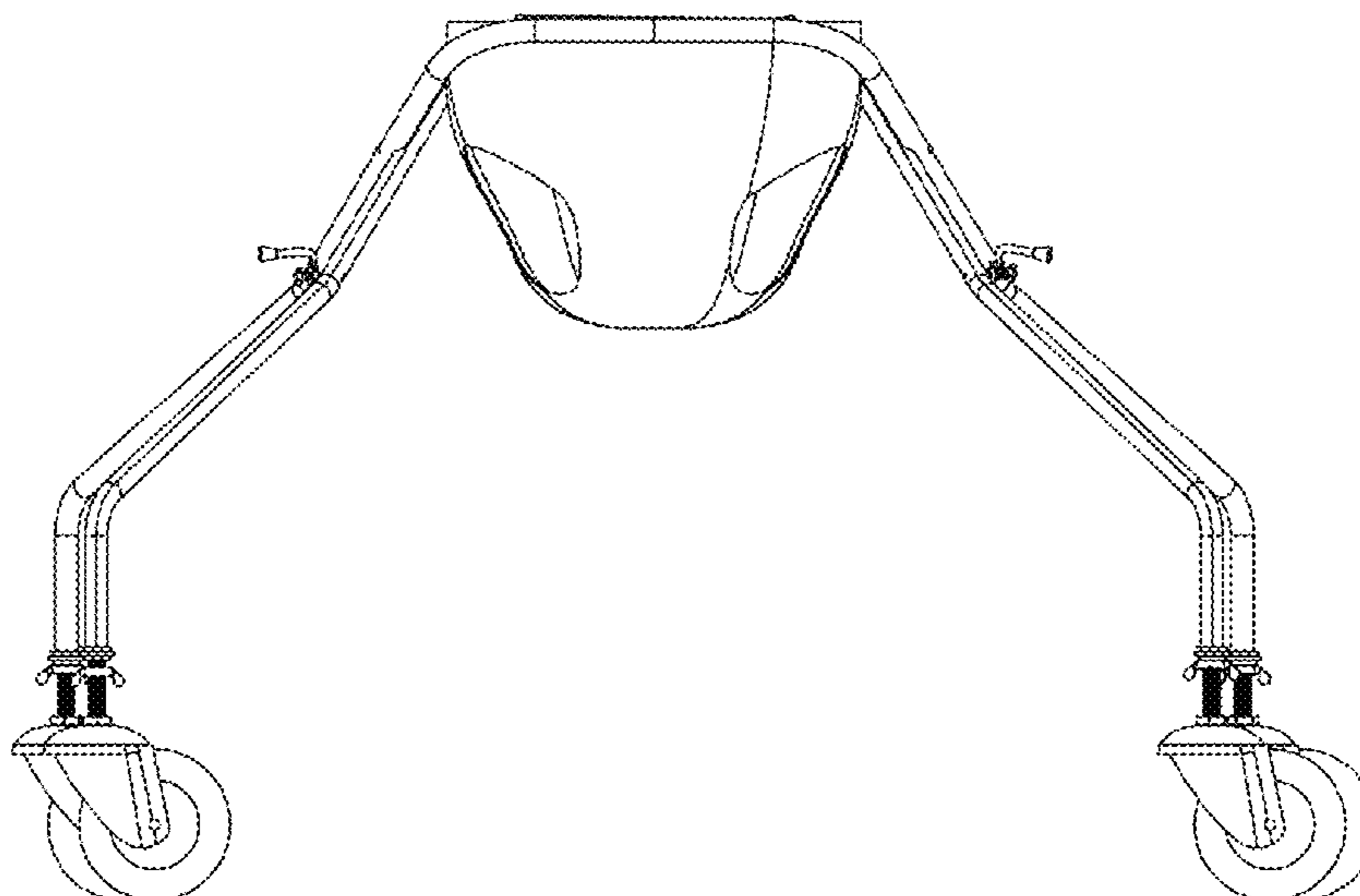
(57) **CLAIM**

The ornamental design for an infant walker, as shown and described.

**DESCRIPTION**

FIG. 1 is a top view of an infant walker showing my new design;  
FIG. 2 is a front view thereof;  
FIG. 3 is a left side view thereof, the right side being a mirror image;  
FIG. 4 is a top view of a second embodiment of an infant walker;  
FIG. 5 is a front view thereof; and,  
FIG. 6 is a left side view thereof, the right side being a mirror image.

**1 Claim, 6 Drawing Sheets**



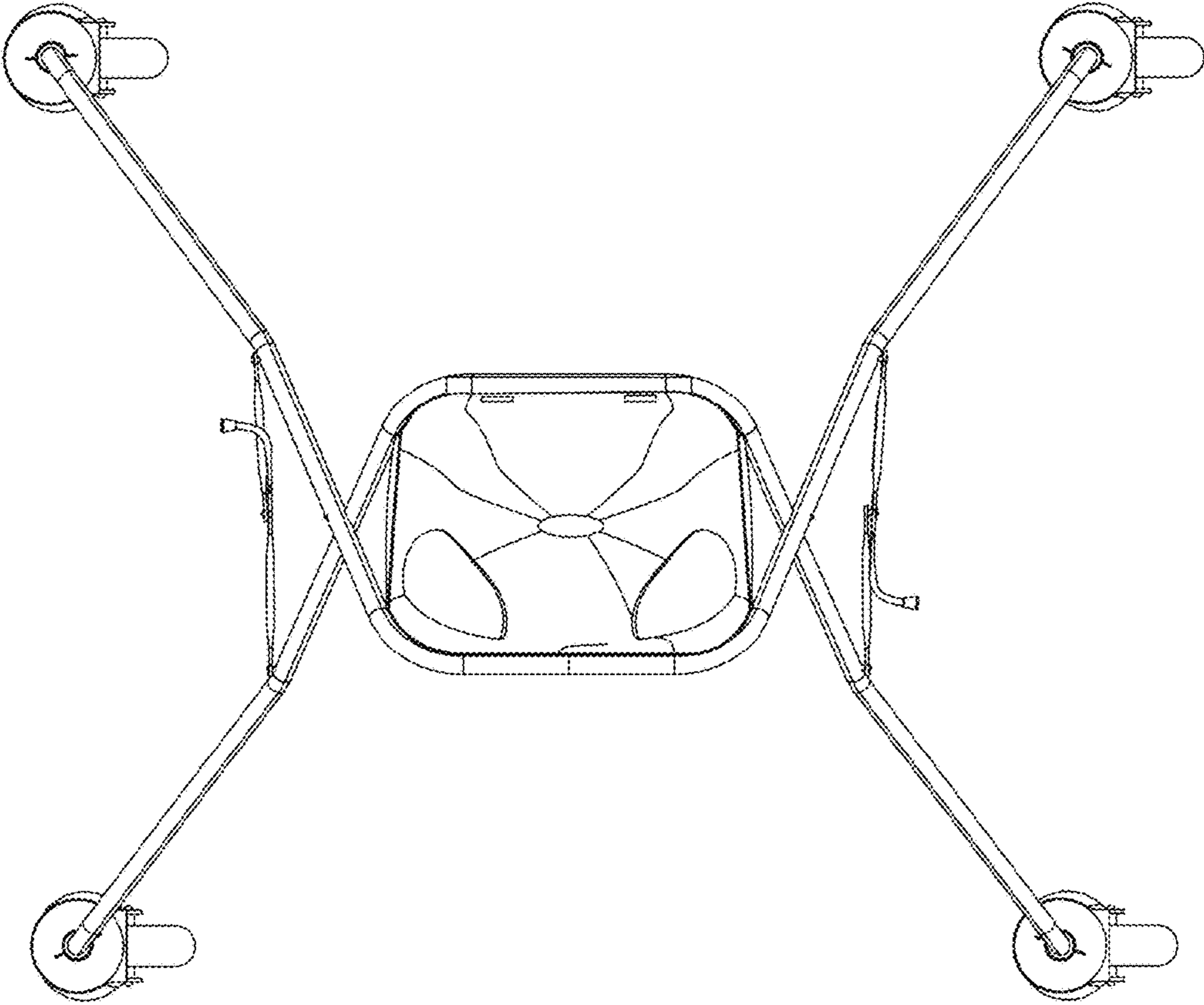


FIG. 1

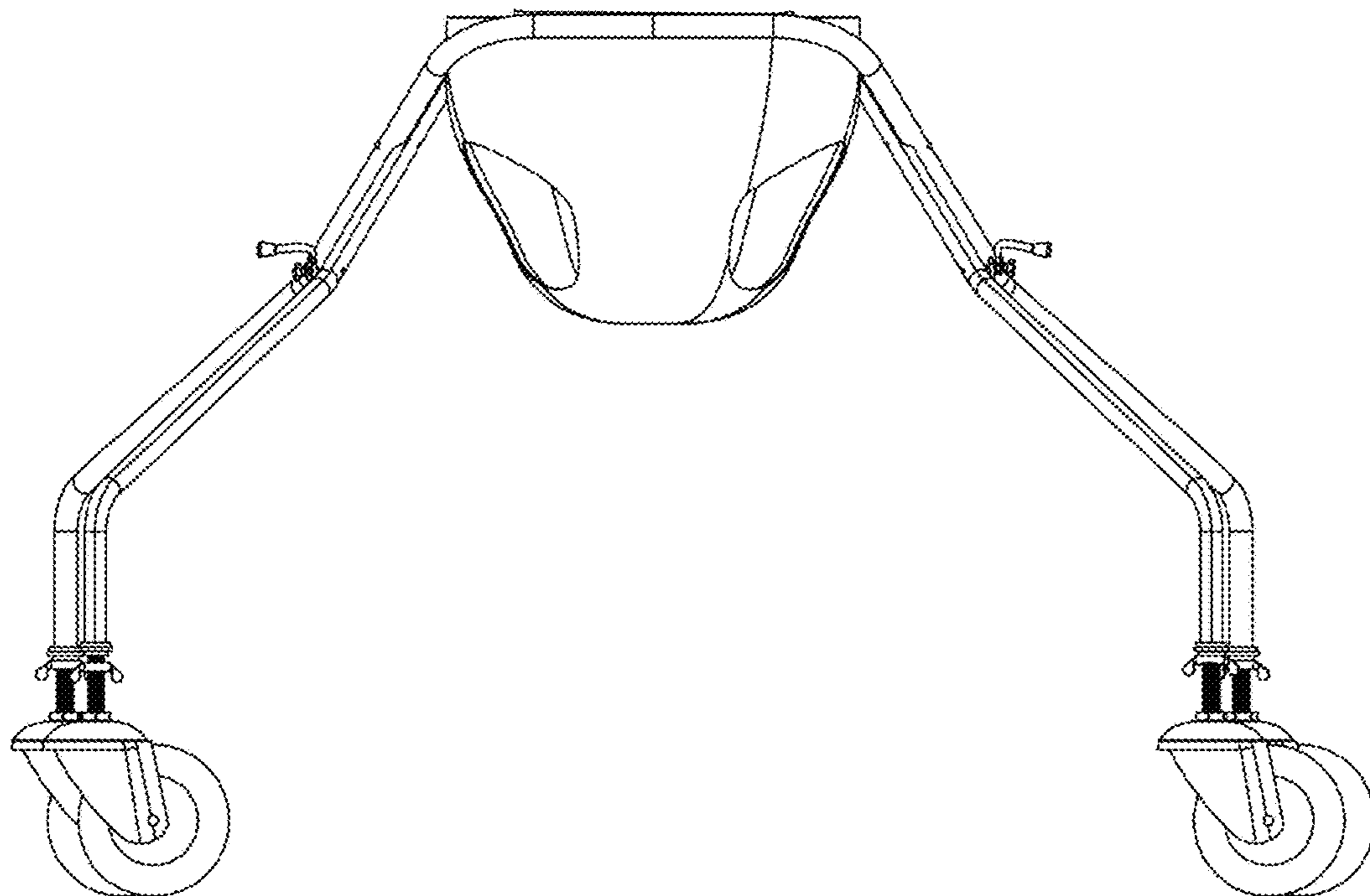


FIG. 2

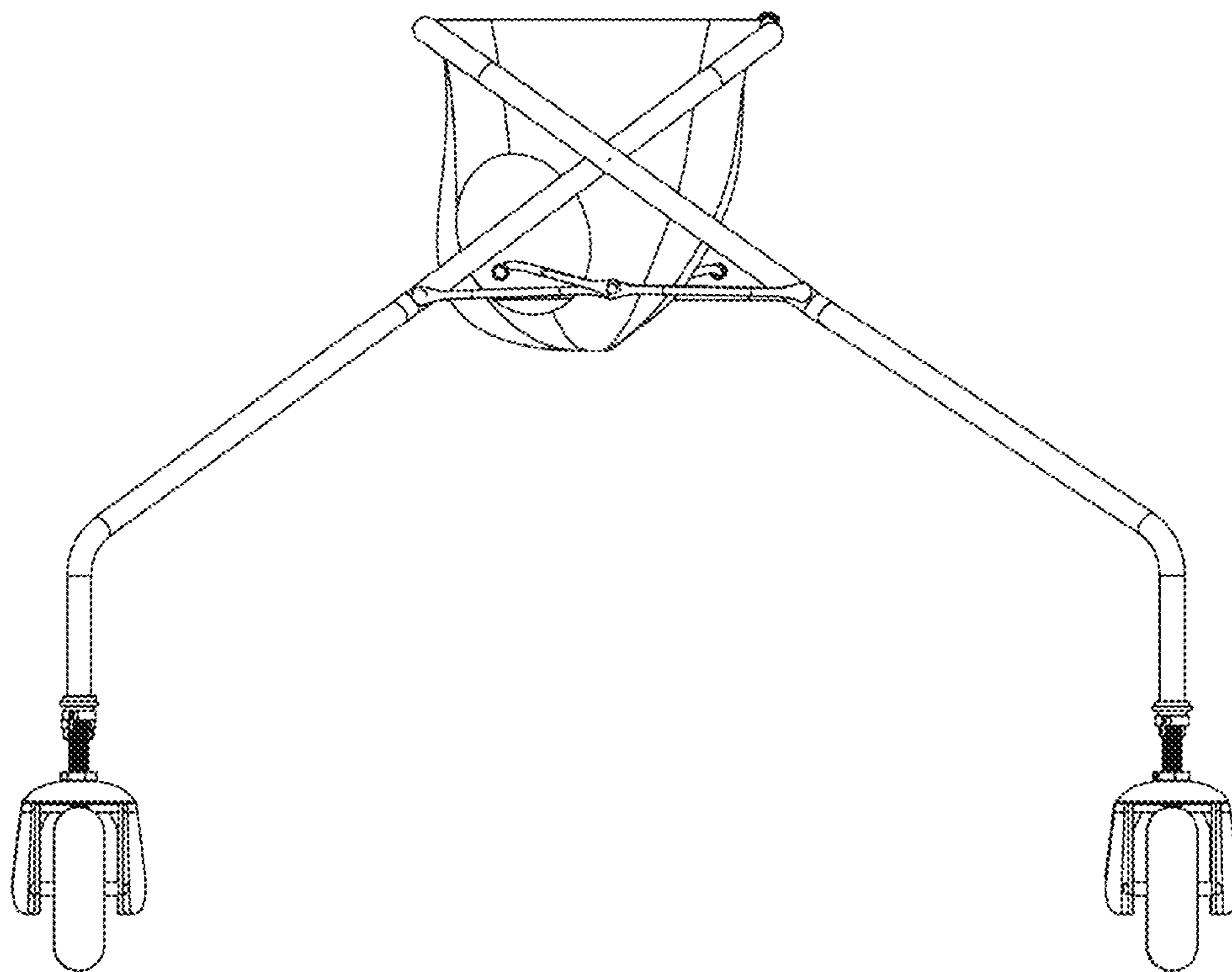


FIG. 3

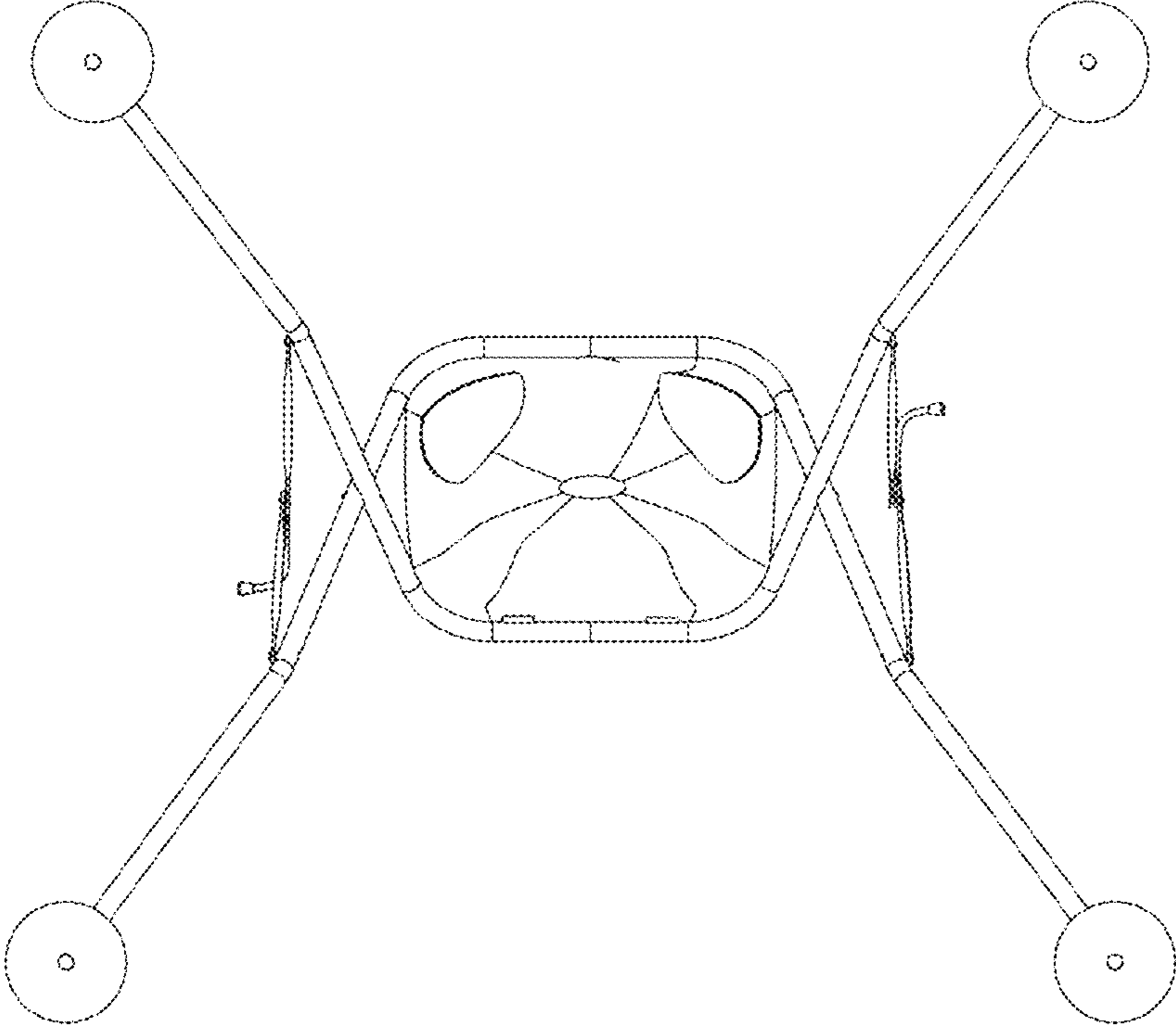


FIG. 4

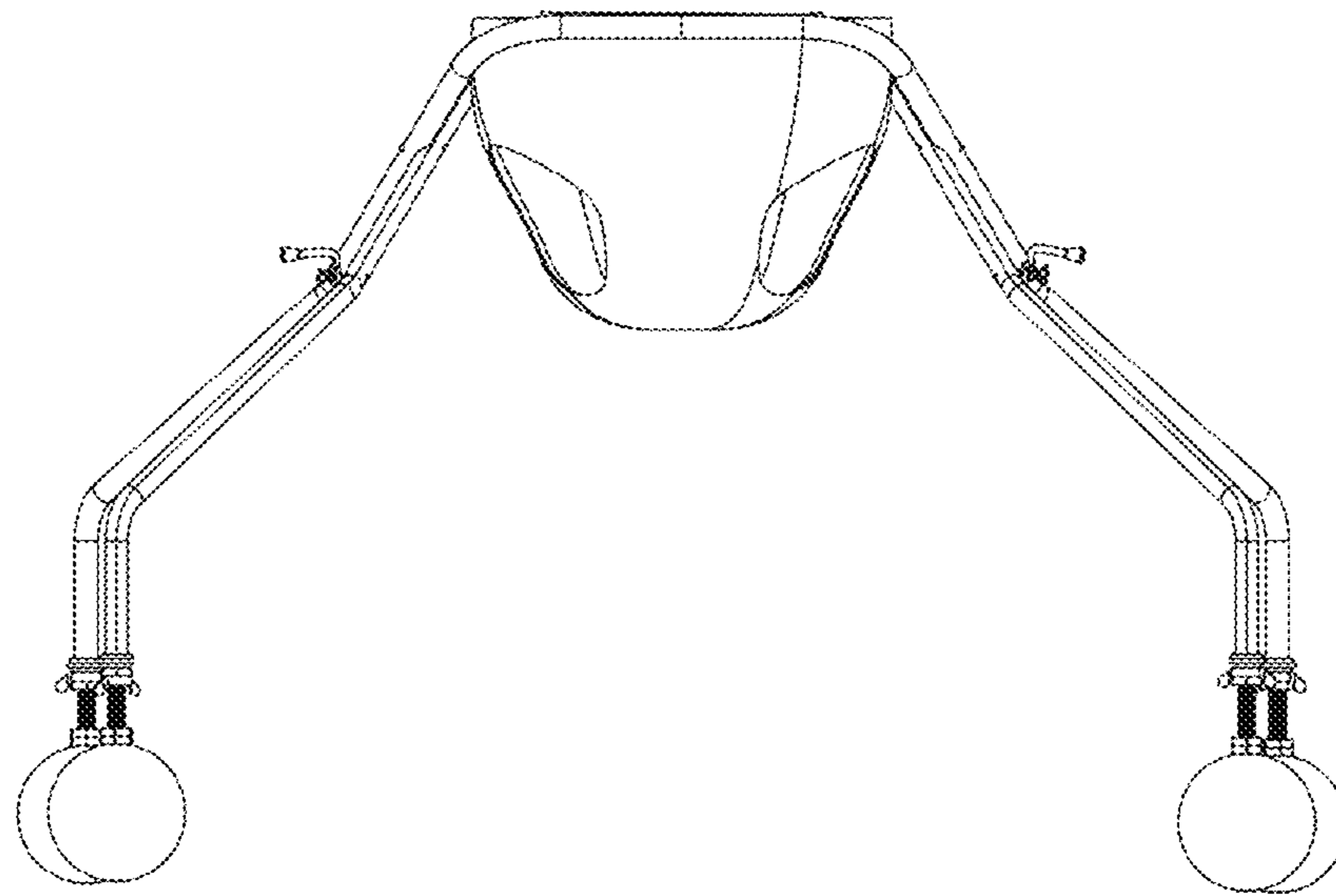


FIG. 5

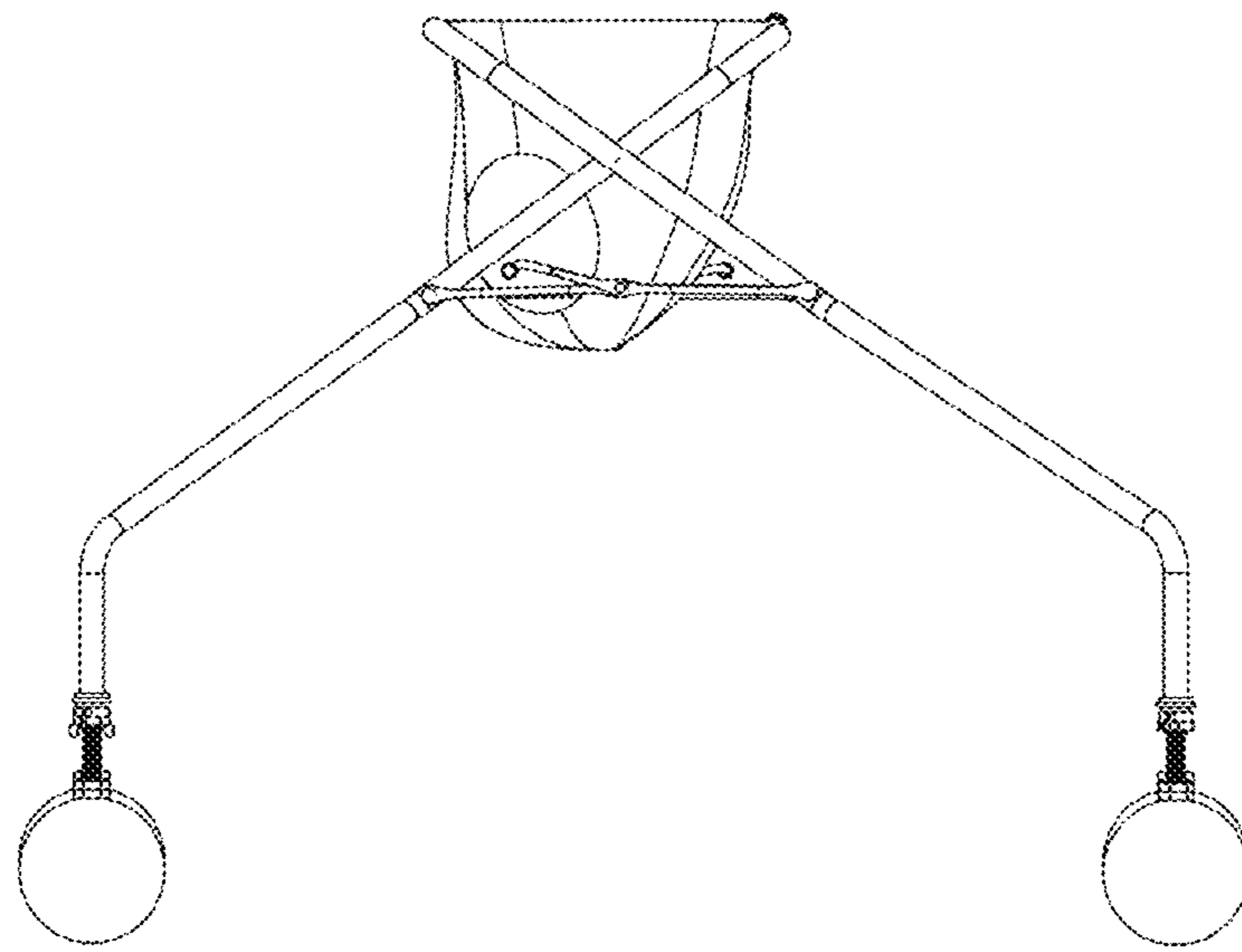


FIG. 6