



US00D828233S

(12) **United States Design Patent** (10) **Patent No.:** **US D828,233 S**  
**Fitzwater et al.** (45) **Date of Patent:** **\*\* Sep. 11, 2018**

(54) **RIDE-ON TRICYCLE**  
(71) Applicant: **Radio Flyer Inc.**, Chicago, IL (US)  
(72) Inventors: **Jason Fitzwater**, Chicago, IL (US);  
**Todd Herlitz**, Chicago, IL (US)  
(73) Assignee: **Radio Flyer Inc.**, Chicago, IL (US)  
(\*\*) Term: **14 Years**  
(21) Appl. No.: **29/519,595**  
(22) Filed: **Mar. 6, 2015**  
(51) **LOC (11) Cl.** ..... **12-08**  
(52) **U.S. Cl.**  
USPC ..... **D12/112; D21/435**  
(58) **Field of Classification Search**  
USPC ..... D12/85, 86, 107, 131; D21/424, 433,  
D21/434; 180/65.1, 210-212, 311, 312,  
180/908; 296/181.1, 181.5; 280/88, 264,  
280/267, 288.1  
CPC ..... B62D 21/11; B62D 29/043; B62D 31/00;  
B62D 49/00; B62D 61/065  
See application file for complete search history.

2,827,106 A 3/1958 Cramer et al.  
3,027,209 A 3/1962 Nielsen  
3,062,559 A 11/1962 Hewitt  
3,096,100 A 7/1963 Clarke et al.  
3,377,966 A 4/1968 Bates et al.  
3,427,037 A 2/1969 Marasco  
3,711,056 A 1/1973 Gmeiner et al.  
3,727,977 A 4/1973 Gmeiner  
3,893,400 A 7/1975 Grant  
3,915,102 A 10/1975 Barron  
4,168,846 A 9/1979 Carren  
4,272,095 A 6/1981 Ptaszek  
4,327,929 A 5/1982 Melzian  
D277,947 S \* 3/1985 Blumenthal ..... D12/112  
D279,464 S \* 7/1985 Kane ..... D12/112  
4,546,991 A 10/1985 Allen et al.  
4,555,121 A 11/1985 Lockard et al.  
4,657,270 A 4/1987 Allen et al.

(Continued)

*Primary Examiner* — Darlington Ly  
(74) *Attorney, Agent, or Firm* — Barnes and Thornburg  
LLP

(57) **CLAIM**

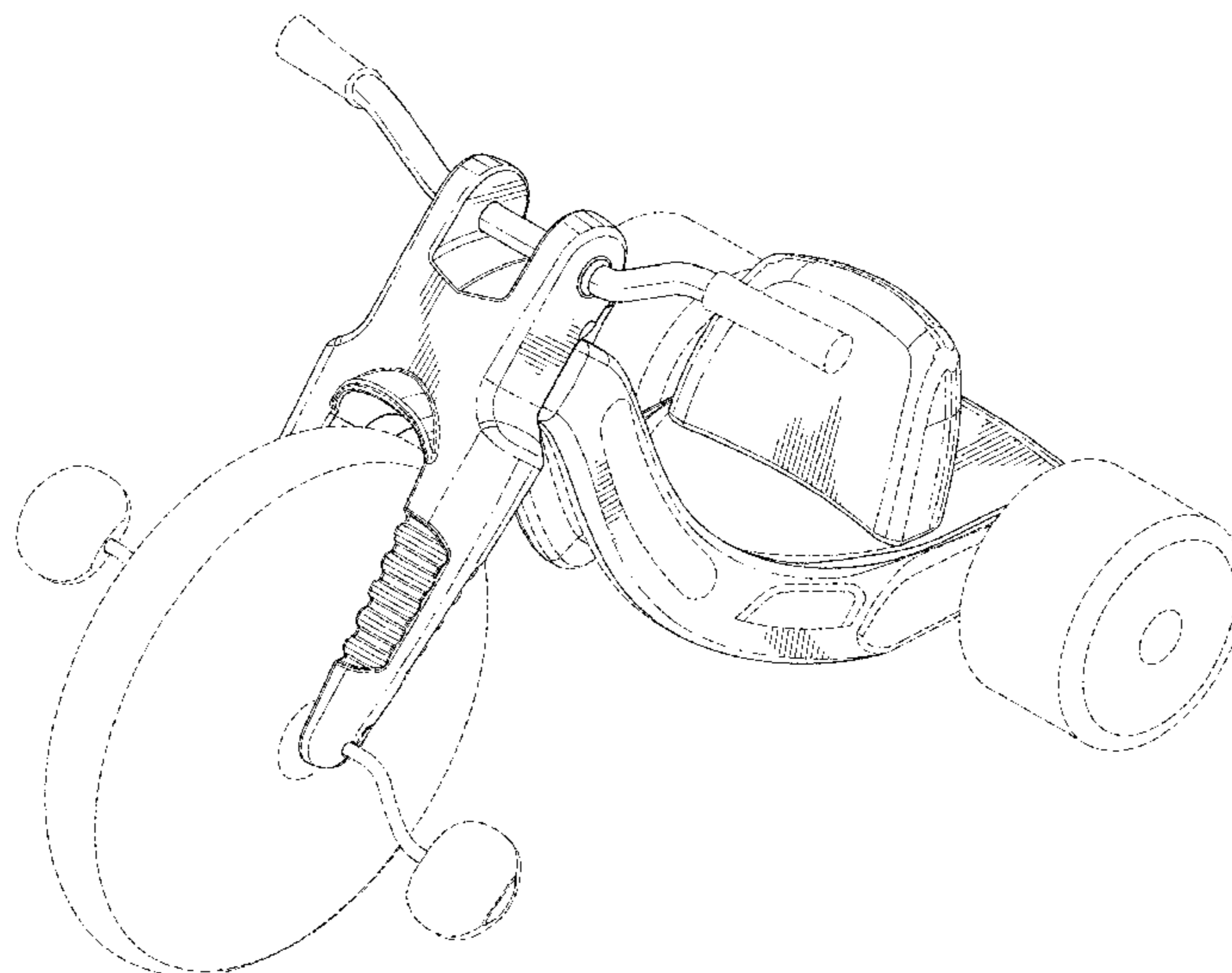
We claim the ornamental design for a ride-on tricycle, as shown and described.

**DESCRIPTION**

FIG. 1 is a top, front, and left side perspective view of a ride-on tricycle showing our new design;  
FIG. 2 is a bottom, rear, and right side perspective view thereof;  
FIG. 3 is a left side elevation view thereof;  
FIG. 4 is a right side elevation view thereof;  
FIG. 5 is a front elevation view thereof;  
FIG. 6 is a rear elevation view thereof;  
FIG. 7 is a top plan view thereof; and,  
FIG. 8 is a bottom plan view thereof.  
The broken lines in the drawings illustrate portions of the ride-on tricycle that form no part of the claimed design.

**1 Claim, 8 Drawing Sheets**

(56) **References Cited**  
U.S. PATENT DOCUMENTS  
1,276,203 A 8/1918 Fox  
1,675,985 A 7/1928 Martin  
1,824,193 A 9/1931 Bovingdon  
1,964,405 A 6/1934 Nenne  
1,987,431 A 1/1935 Browne  
2,019,159 A 10/1935 Saunders  
2,197,658 A 4/1940 Gallo  
2,220,528 A 11/1940 Kutil  
2,301,036 A 11/1942 Gray  
2,514,524 A 7/1950 Steele  
2,591,534 A 4/1952 Gallo et al.  
2,633,899 A 4/1953 Armstrong  
2,723,711 A 11/1955 Duncan



(56)

References Cited

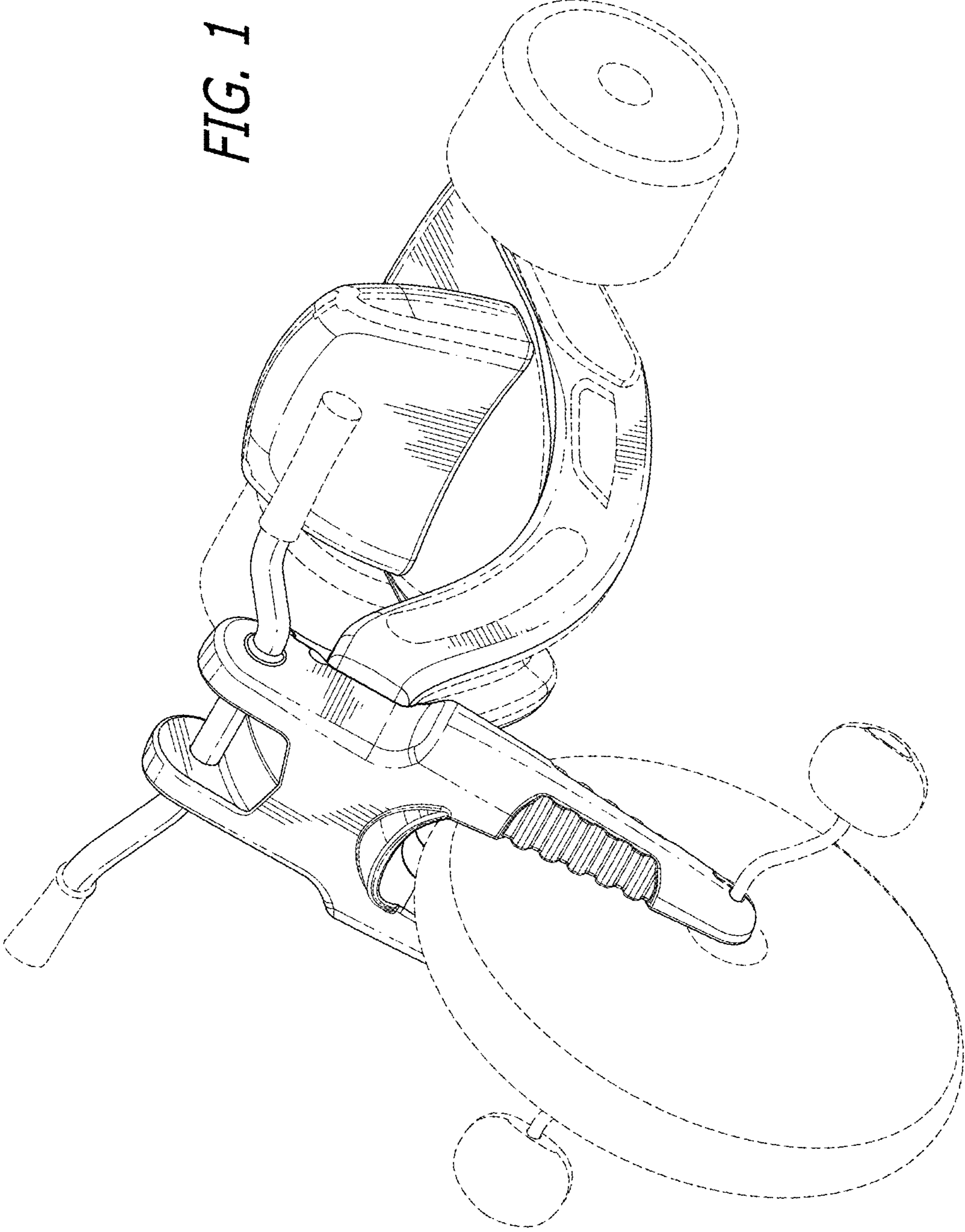
U.S. PATENT DOCUMENTS

4,772,069 A 9/1988 Szymiski  
 D300,619 S 4/1989 Phinney et al.  
 4,927,110 A 5/1990 Tsumura et al.  
 4,958,799 A 9/1990 Clauw et al.  
 4,968,092 A 11/1990 Giambrone  
 5,120,074 A 6/1992 Herman et al.  
 D337,973 S 8/1993 Mariol  
 5,499,834 A 3/1996 Pasin et al.  
 5,513,895 A 5/1996 Olson et al.  
 5,599,066 A 2/1997 Chih  
 5,765,871 A 6/1998 Wyman et al.  
 D411,971 S \* 7/1999 McMahon ..... D12/112  
 5,954,248 A 9/1999 Jasper  
 6,126,133 A 10/2000 Timon et al.  
 D435,235 S \* 12/2000 Matias De Oliveira .... D12/112  
 6,206,394 B1 3/2001 Olson et al.  
 6,302,421 B1 10/2001 Lee  
 D480,023 S \* 9/2003 Hsaio ..... D12/112  
 D480,024 S \* 9/2003 Gunter ..... D12/112  
 D480,665 S \* 10/2003 Gunter ..... D12/112  
 D483,420 S 12/2003 DeLong et al.

D484,073 S \* 12/2003 Heinemann ..... D12/112  
 D485,513 S \* 1/2004 de Oliveira ..... D12/112  
 D514,476 S \* 2/2006 Glenn, II ..... D12/112  
 D524,699 S 7/2006 Kurth et al.  
 7,086,657 B2 8/2006 Michelau et al.  
 7,232,186 B1 6/2007 Chi  
 D564,041 S 3/2008 Rodriguez et al.  
 D582,488 S \* 12/2008 Badanjo ..... D21/435  
 D582,489 S \* 12/2008 Badanjo ..... D21/435  
 D593,910 S \* 6/2009 Calvin ..... D12/112  
 D598,331 S \* 8/2009 Tongish ..... D12/112  
 7,722,068 B2 5/2010 Michelau  
 D645,381 S \* 9/2011 Bricker ..... D12/112  
 D659,054 S \* 5/2012 Agati ..... D12/112  
 D659,055 S \* 5/2012 Agati ..... D12/112  
 8,196,887 B2 6/2012 Dahlbacka et al.  
 8,454,045 B2 6/2013 Kettler et al.  
 8,596,649 B2 \* 12/2013 Bricker ..... B62K 9/02  
 280/282  
 8,820,765 B2 \* 9/2014 Agati ..... B62J 1/28  
 280/282  
 2001/0035626 A1 11/2001 Kettler  
 2004/0113474 A1 6/2004 Lambrecht et al.  
 2009/0212190 A1 8/2009 Dahlbacka et al.

\* cited by examiner

FIG. 1



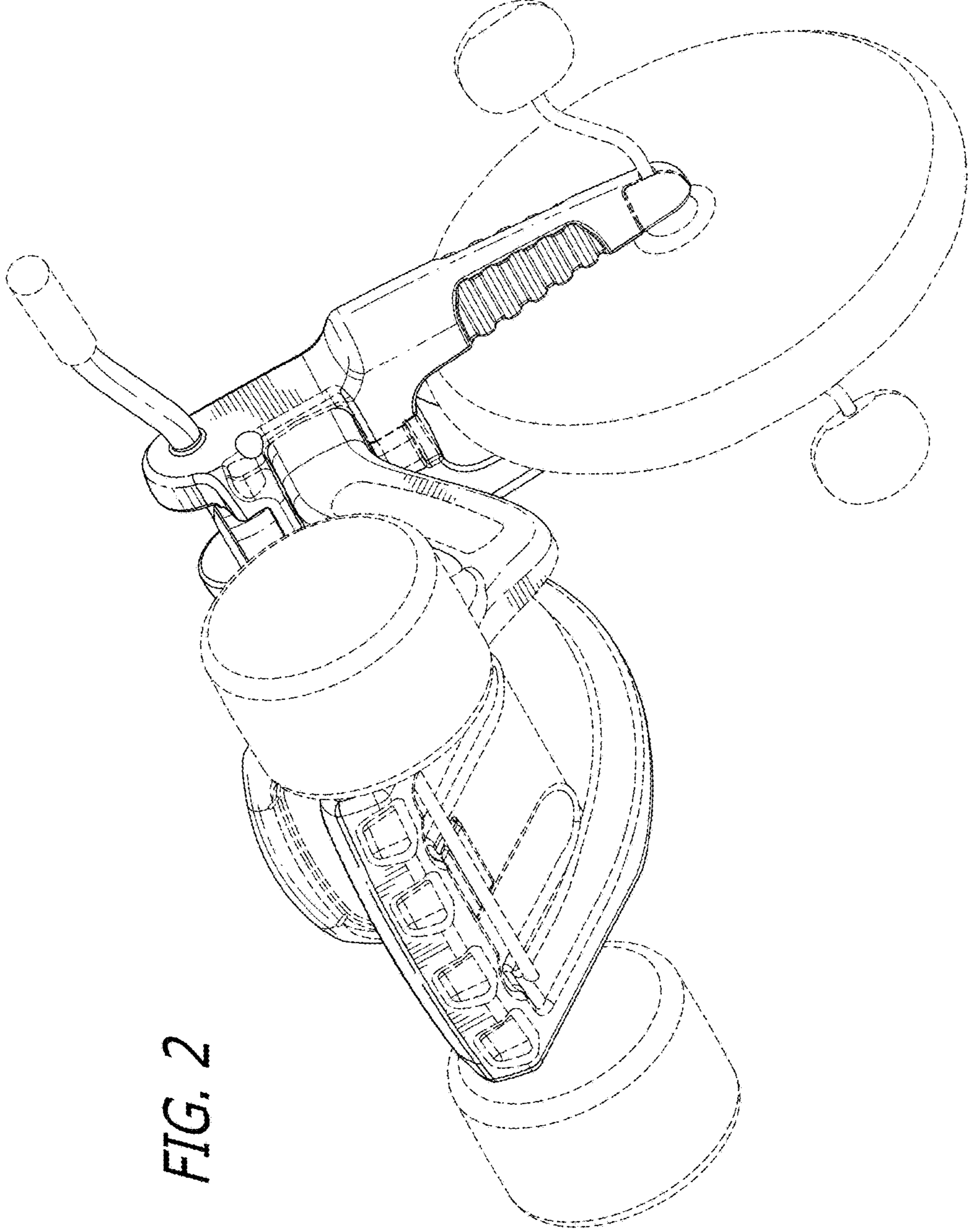


FIG. 2

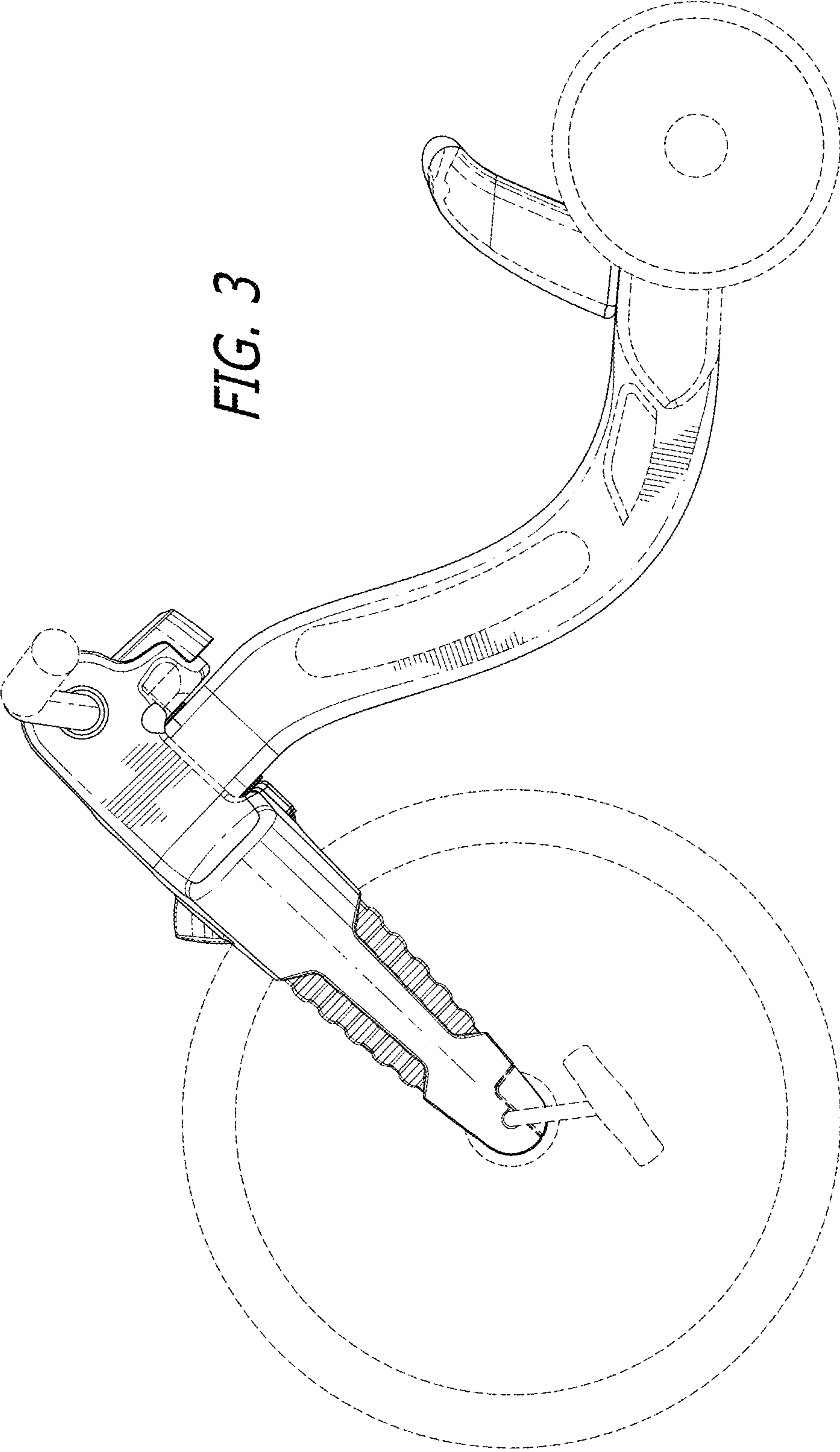


FIG. 3

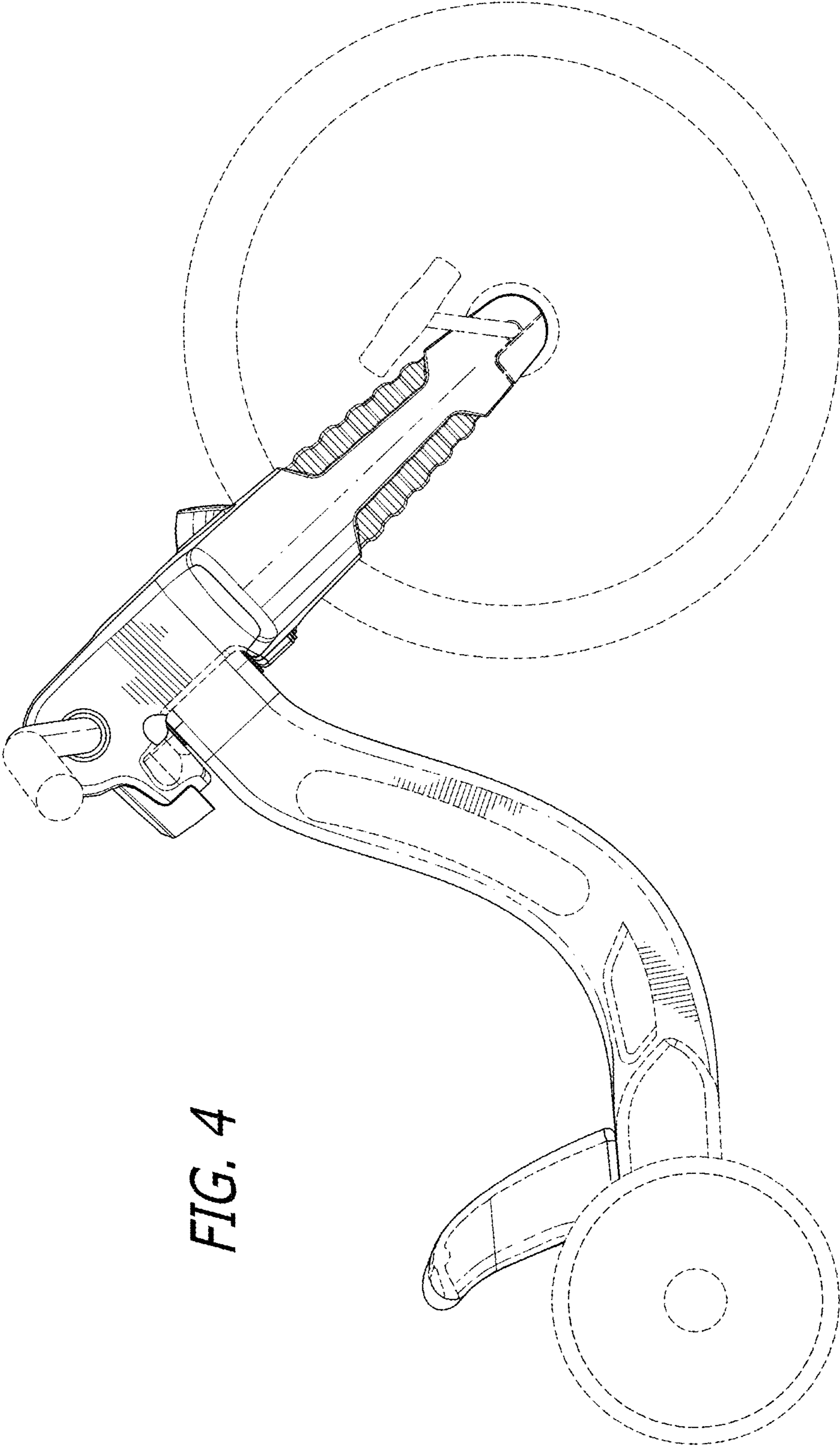


FIG. 4



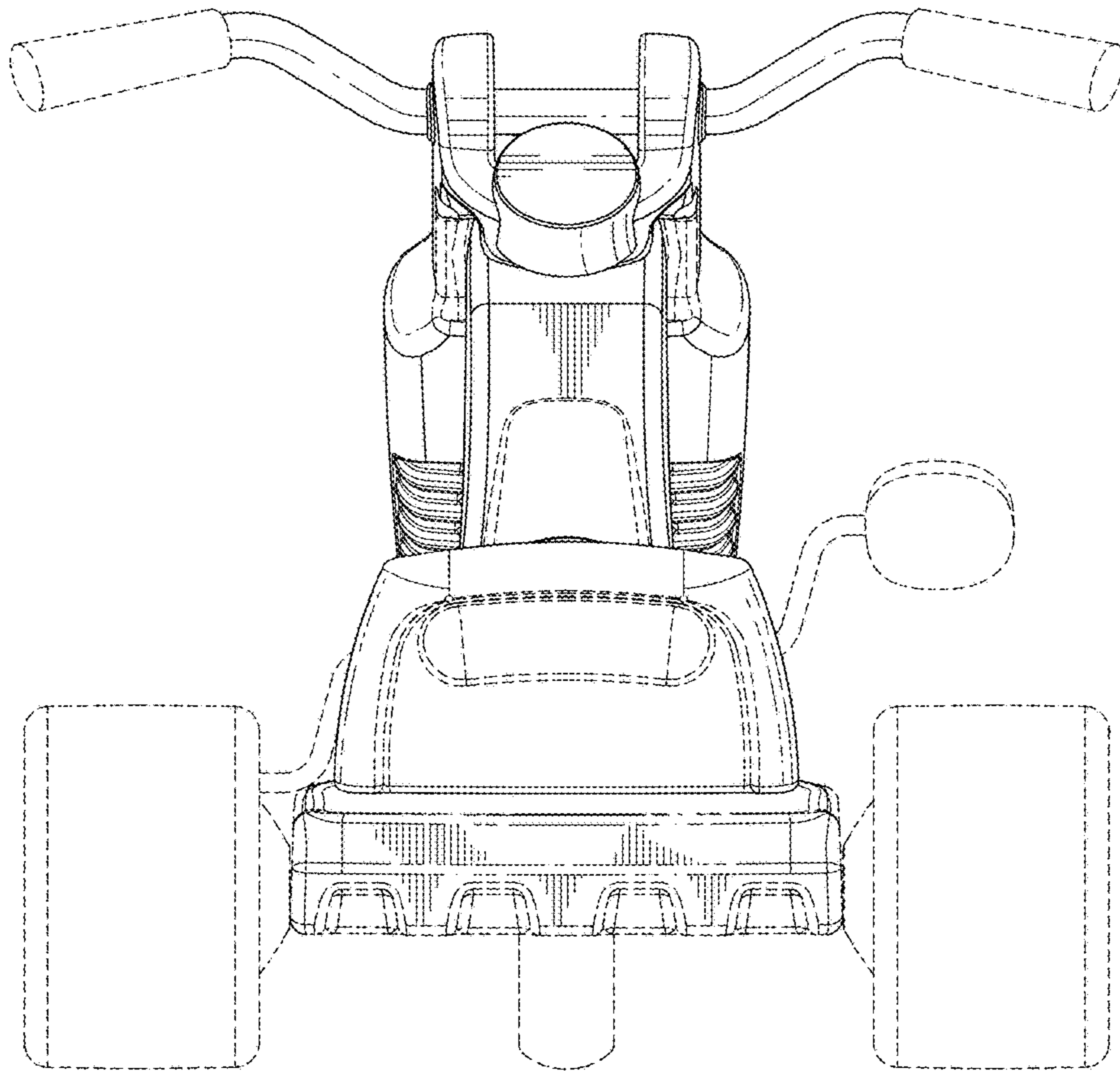


FIG. 6



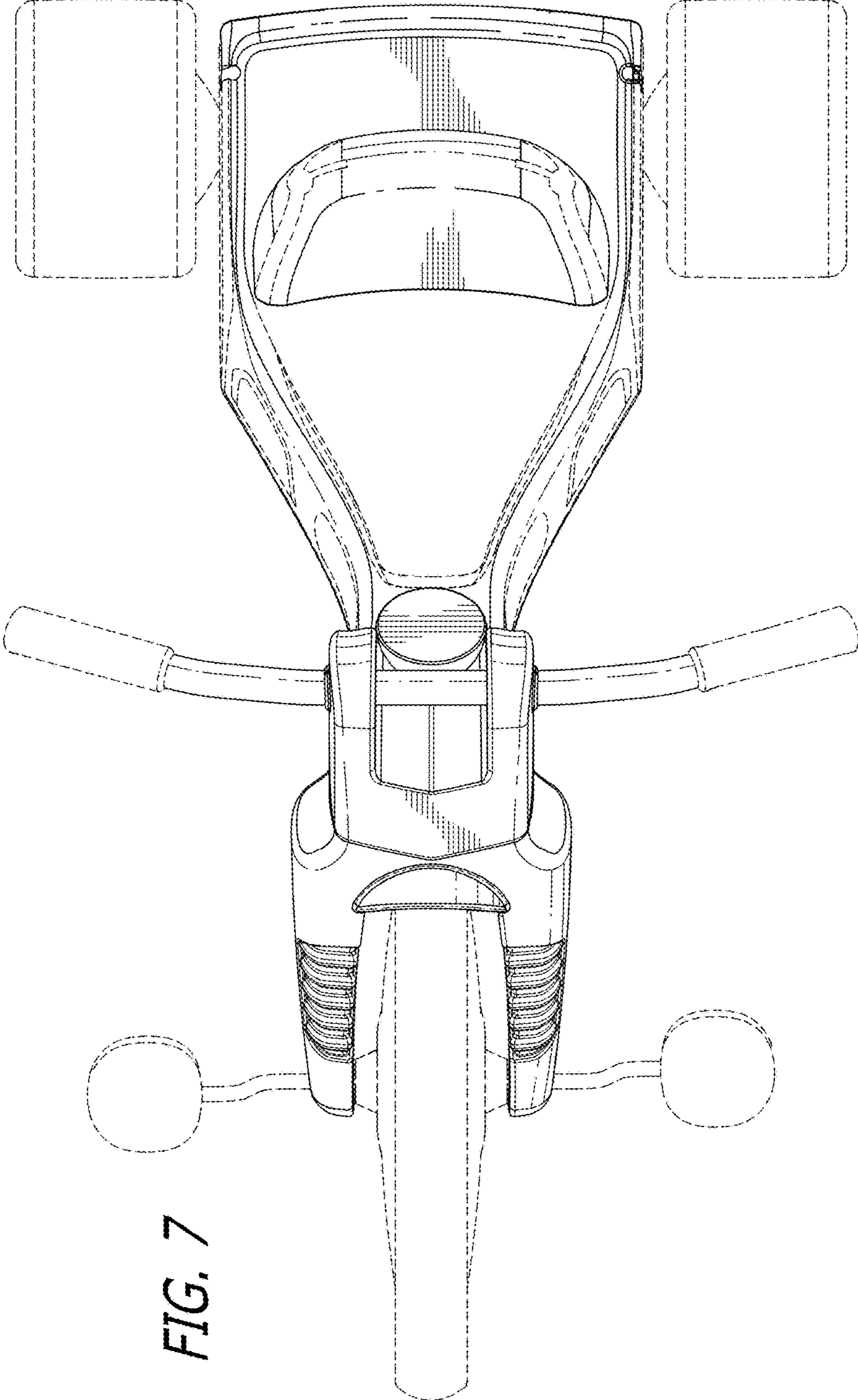


FIG. 7

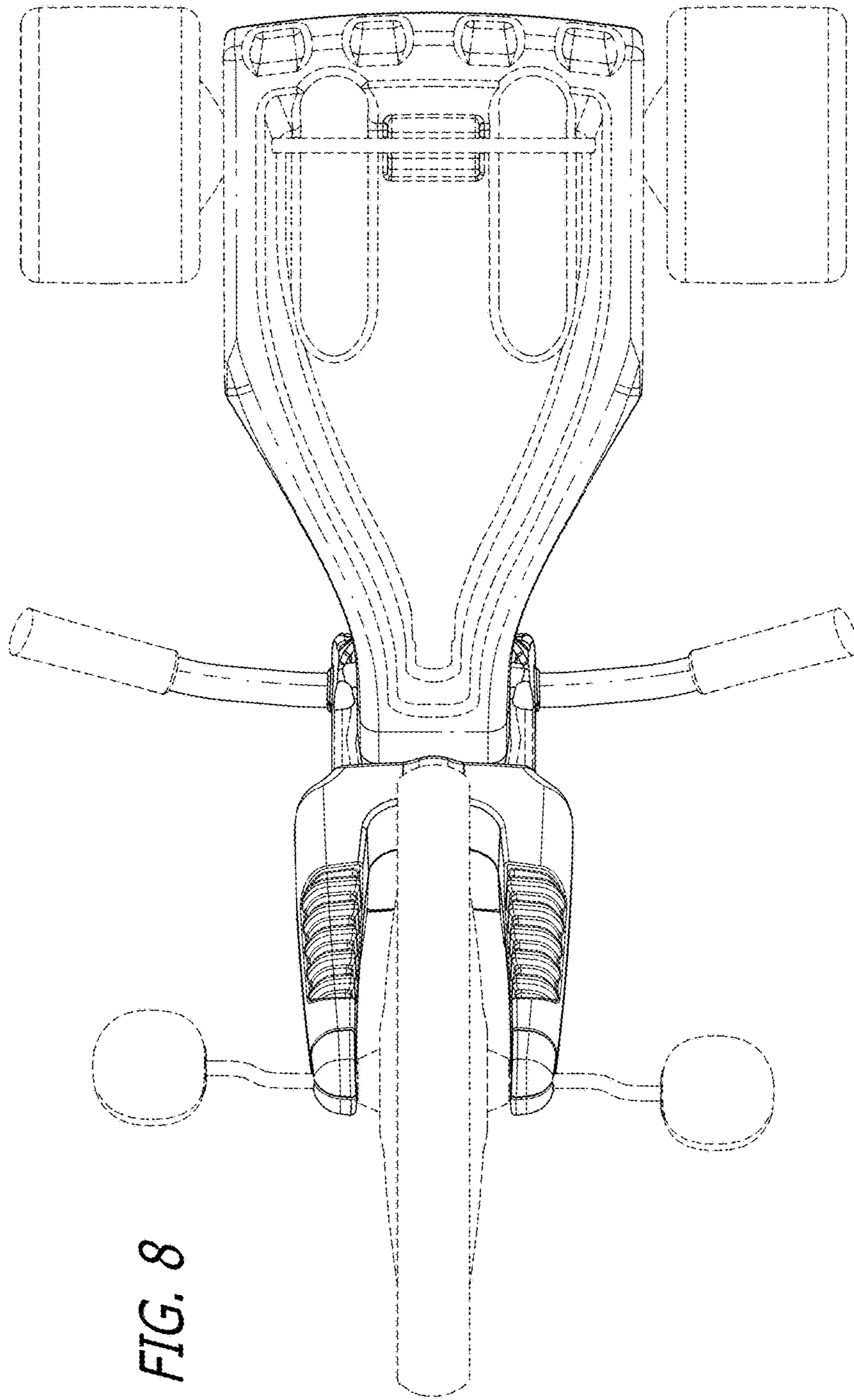


FIG. 8