



US00D828232S

(12) **United States Design Patent**  
**Berkes et al.**

(10) **Patent No.:** **US D828,232 S**  
(45) **Date of Patent:** **\*\* Sep. 11, 2018**

(54) **CARGO BICYCLE FRAME**  
(71) Applicant: **Olimpia Kerékpár Kft.**, Budapest (HU)  
(72) Inventors: **György Berkes**, Budapest (HU); **Dániel Szakály**, Budapest (HU); **Kornél Prisztóka**, Budapest (HU)  
(73) Assignee: **Olimpia Kerepar Kft**, Budapest (HU)  
(\*\*) Term: **15 Years**

D610,047 S *	2/2010	Uimonen	.....	D12/111
D626,037 S *	10/2010	Thetard	.....	D12/111
D640,607 S *	6/2011	Schoonhoven	.....	D12/111
D665,708 S *	8/2012	Uimonen	.....	D12/111
D666,946 S *	9/2012	Uimonen	.....	D12/111
D690,238 S *	9/2013	Uimonen	.....	D12/111
D693,739 S *	11/2013	Uimonen	.....	D12/111
D785,509 S *	5/2017	Juhlin	.....	D12/111
2011/0240391 A1 *	10/2011	Bonneville	.....	B62M 6/90 180/220
2012/0080252 A1 *	4/2012	Nishimori	.....	B62M 6/65 180/65.51
2013/0255336 A1 *	10/2013	Desai	.....	E05B 71/00 70/431

(21) Appl. No.: **29/584,282**  
(22) Filed: **Nov. 14, 2016**  
(51) **LOC (11) Cl.** ..... **12-11**  
(52) **U.S. Cl.**  
USPC ..... **D12/111**  
(58) **Field of Classification Search**  
USPC ..... D12/110, 111, 112, 114, 117, 119  
CPC ..... B60R 1/076; B62K 11/00; B62K 11/04;  
B62K 11/02; B62K 15/00; B62K  
2202/00; B62K 3/00; B62K 3/02; B62K  
3/10; B62K 5/00; B62K 5/003; B62K  
5/007; B62M 6/45; B62M 6/60; B62M  
6/65; E05B 71/00  
See application file for complete search history.

\* cited by examiner

*Primary Examiner* — Karen S Acker  
*Assistant Examiner* — Jerry Shiuan-Hua Hsu  
(74) *Attorney, Agent, or Firm* — Ziegler IP Law Group, LLC

(56) **References Cited**  
U.S. PATENT DOCUMENTS  
6,148,944 A \* 11/2000 Adomi ..... B62M 6/60  
180/206.4  
D586,702 S \* 2/2009 Morris ..... D12/111

(57) **CLAIM**  
The ornamental design for a cargo bicycle frame, as shown and described.

**DESCRIPTION**

FIG. 1 is a right view of a cargo bicycle frame, showing the new design;  
FIG. 2 is a left view thereof.  
FIG. 3 is a bottom view thereof;  
FIG. 4 is a top view thereof;  
FIG. 5 is a front view thereof; and,  
FIG. 6 is a back view thereof.

**1 Claim, 6 Drawing Sheets**

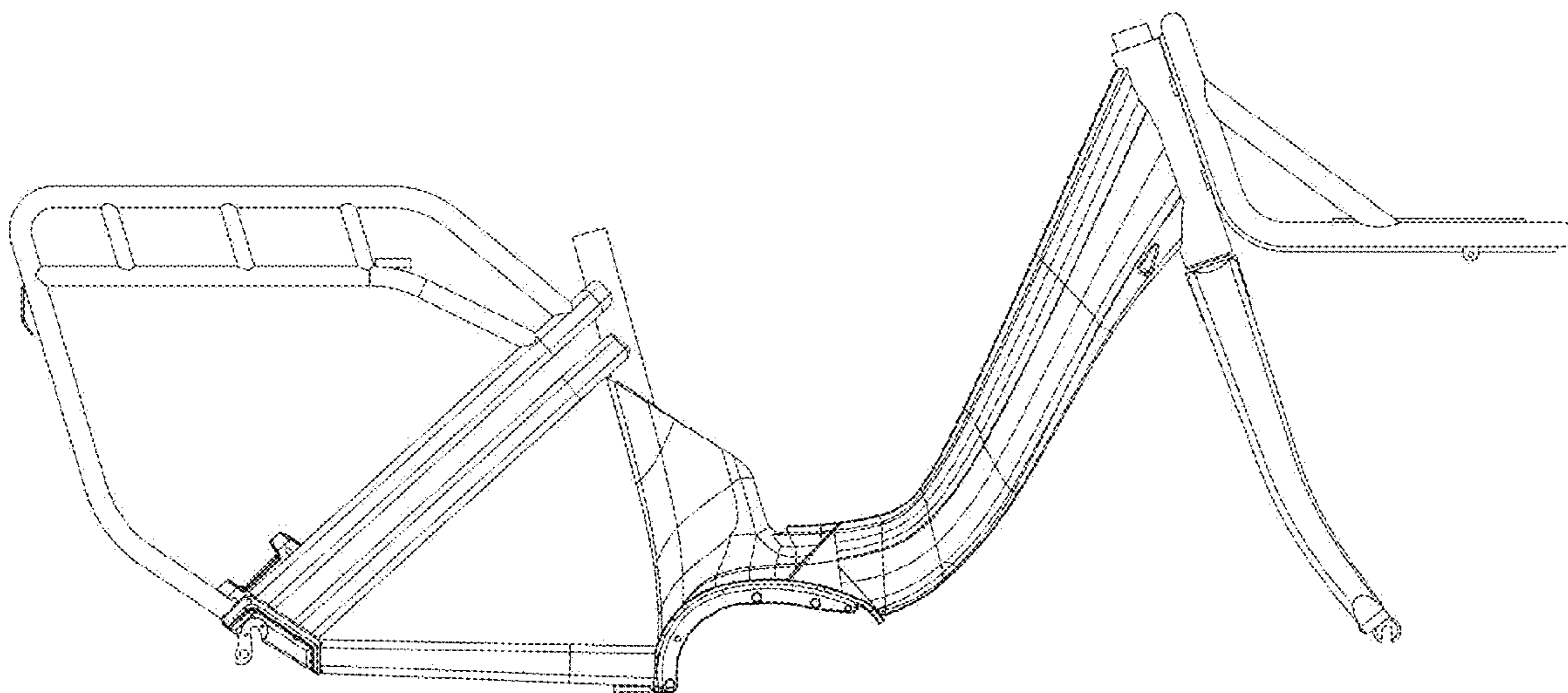


FIG. 1

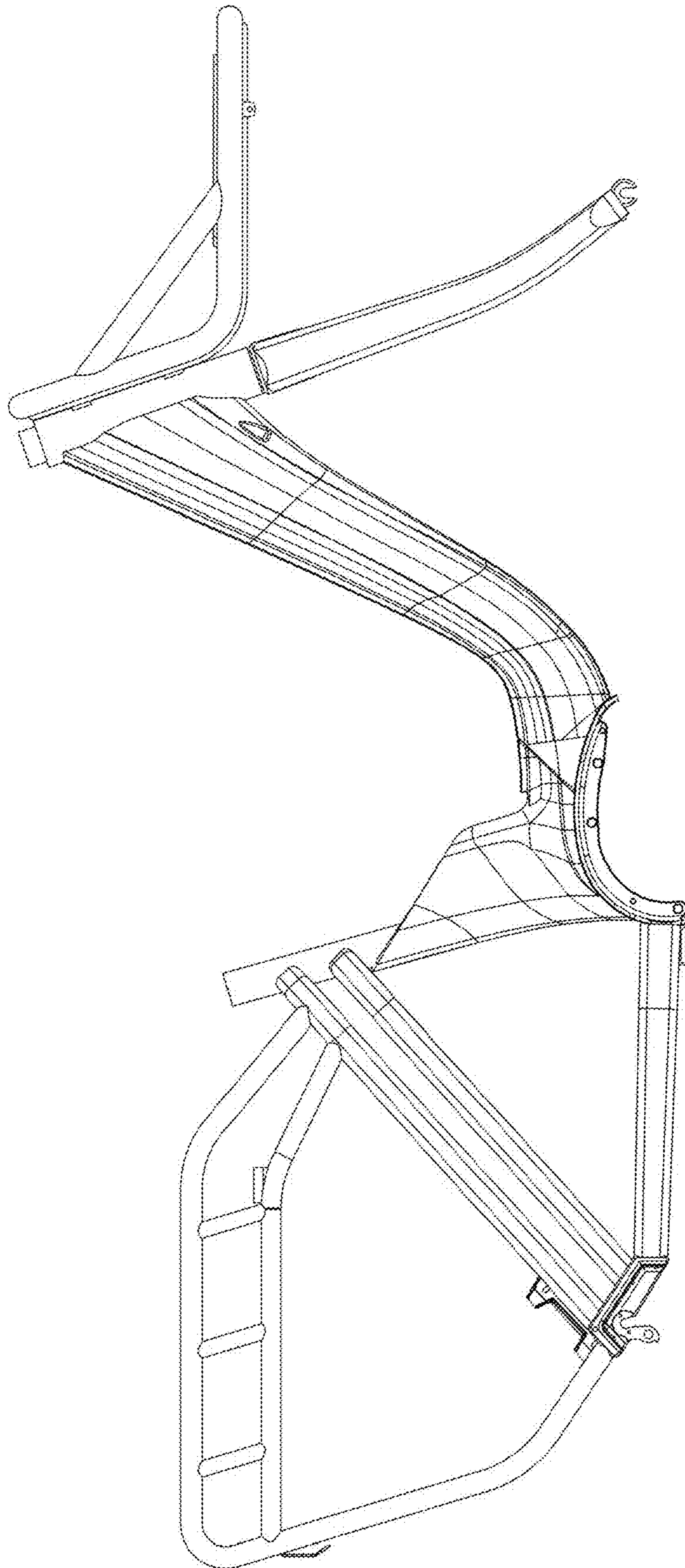
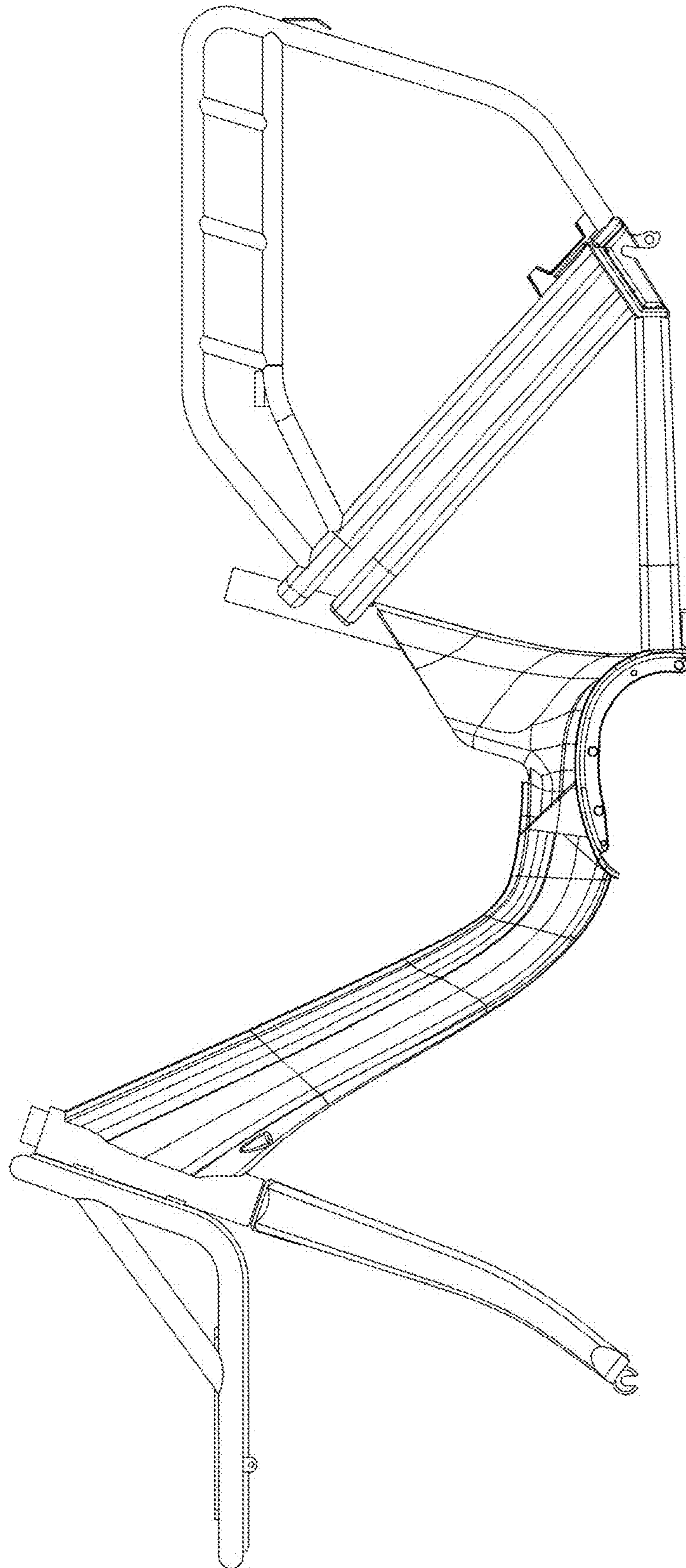


FIG. 2



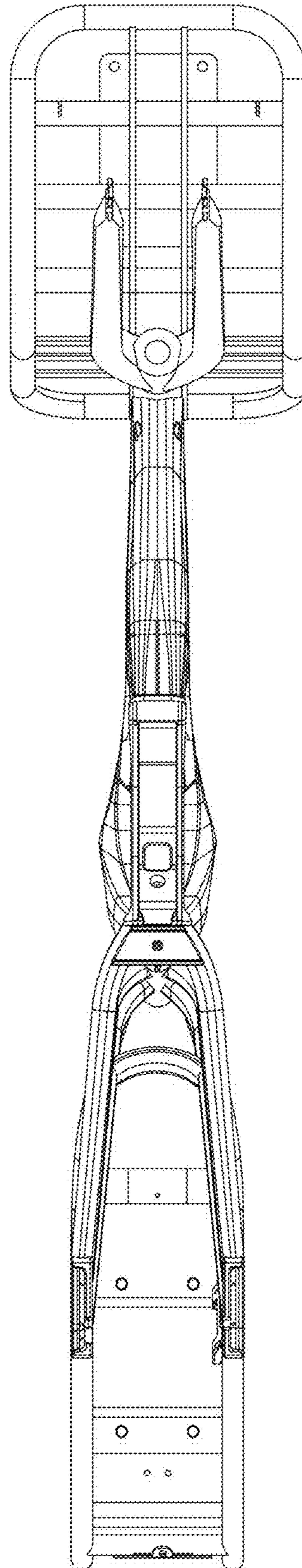


FIG. 3

FIG. 4

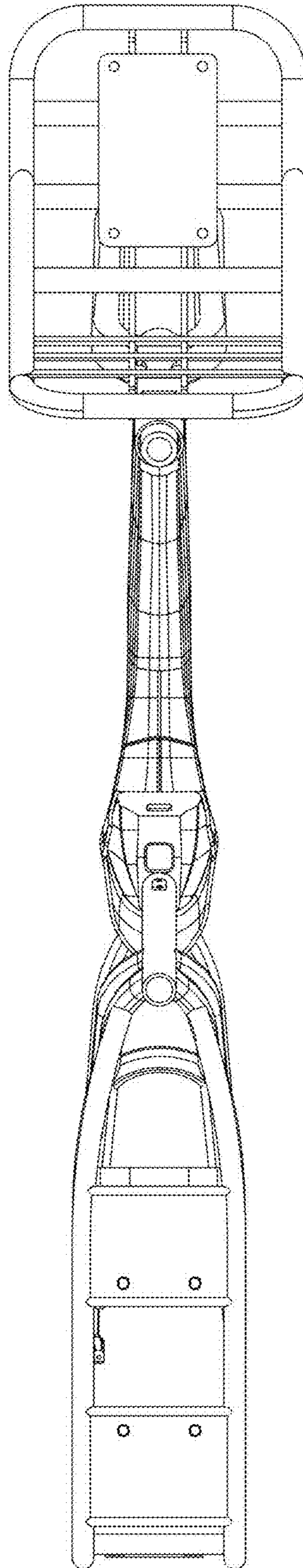


FIG. 5

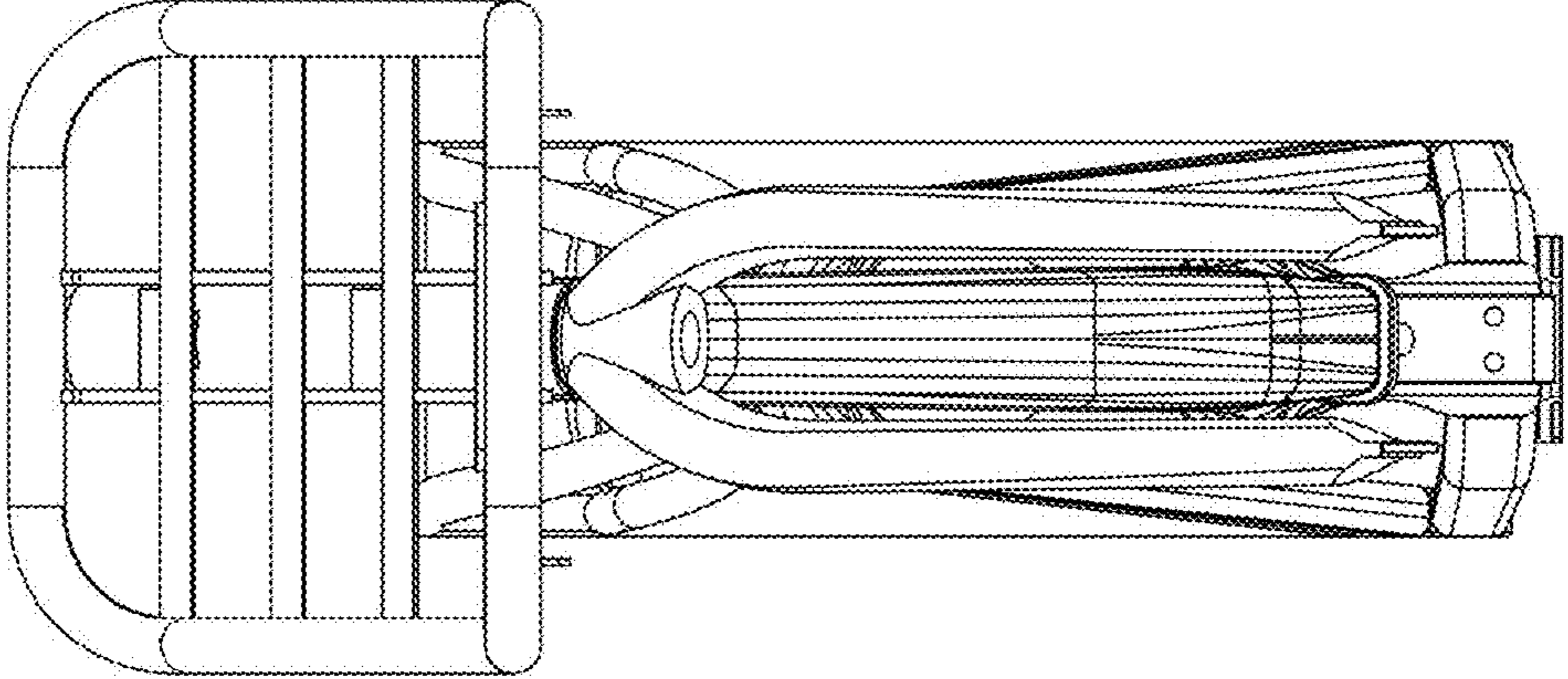


FIG. 6

